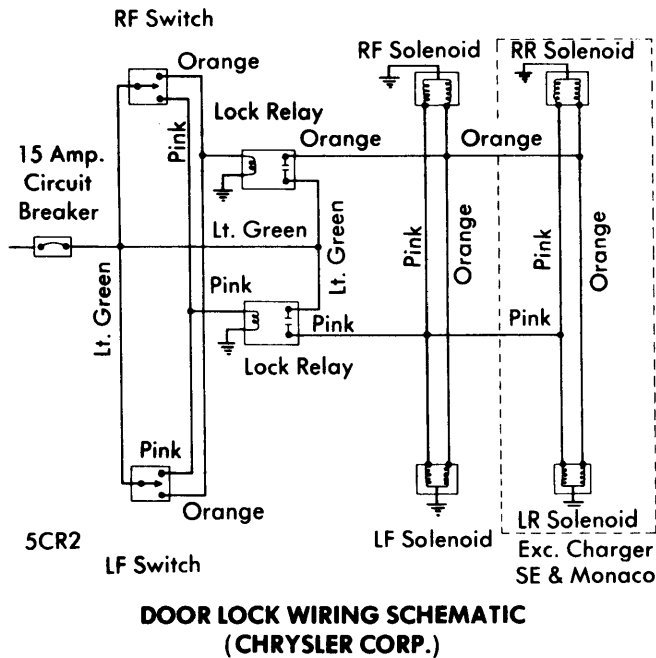
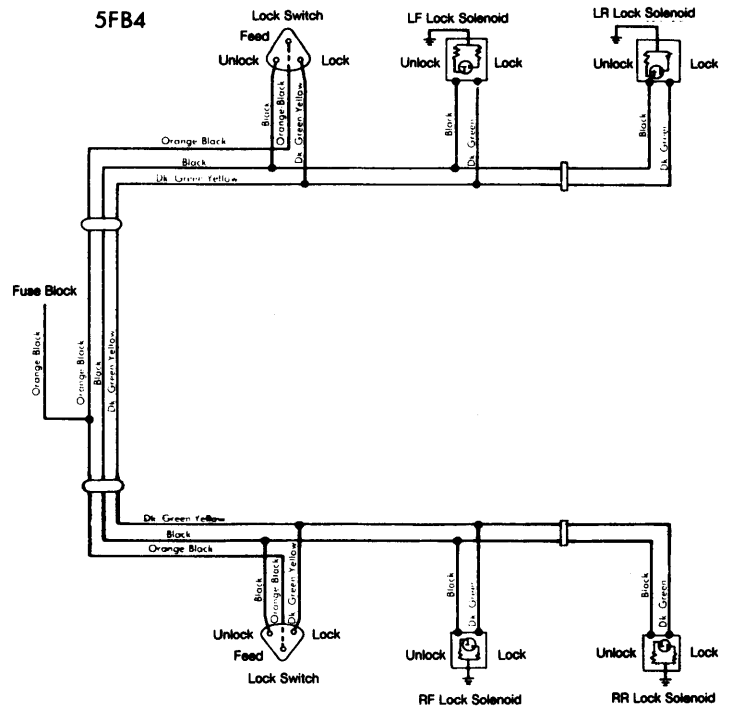
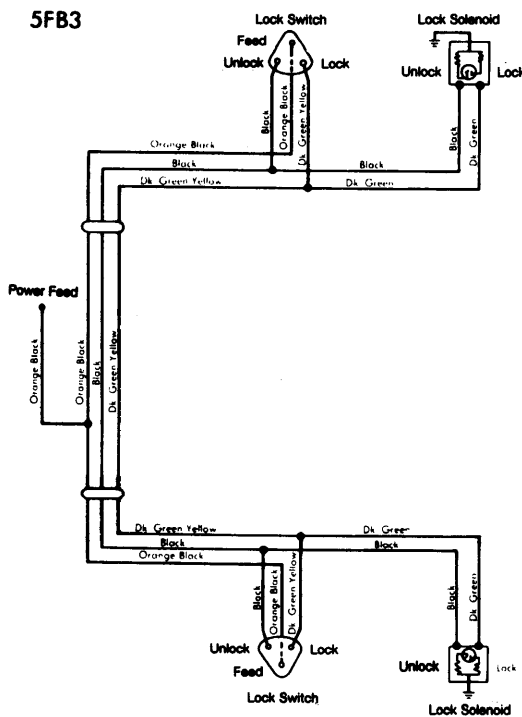


1975 Power Door Locks



NOTE — On General Motors cars, body wiring differs in accordance with body type ("A", "B", etc.). Refer to identify wiring diagrams for any particular model.

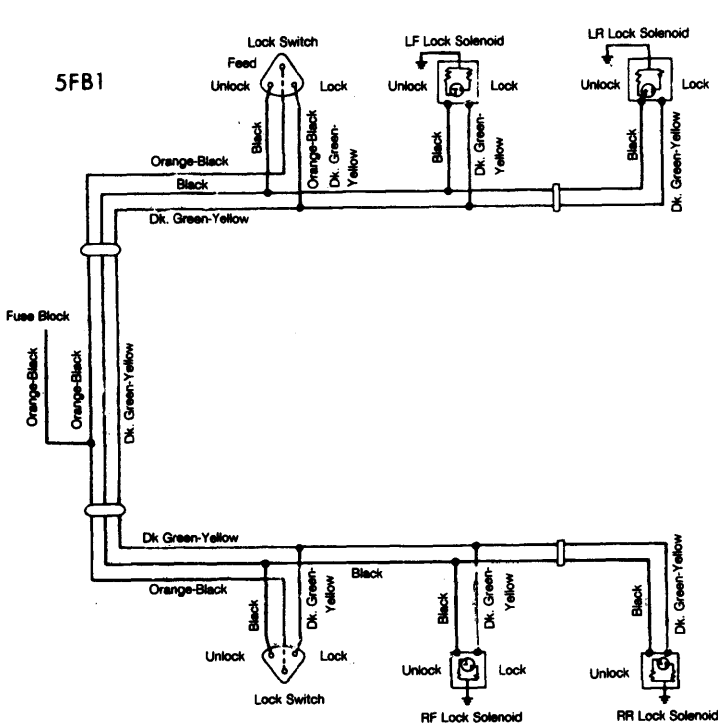
GM Division	Body Type	Car Name
Buick	A	Century, Regal
Chevrolet	A	Chevelle, Monte Carlo
Oldsmobile	A	Cutlass
Pontiac	A	Grand Am, Grand Prix
	A	LeMans
Buick	B	Estate Wagon, LeSabre
Chevrolet	B	Biscayne, Bel Air
		Impala, Caprice
Oldsmobile	B	Delta
Pontiac	B	Catalina, Bonneville
	B	Grand Ville
Buick	C	Electra, Limited
Cadillac	C	Fleetwood, Calais
	C	DeVille
Oldsmobile	C	Ninety Eight
Buick	E	Riviera
Cadillac	E	Eldorado
Oldsmobile	E	Toronado
Chevrolet	F	Camaro
Pontiac	F	Firebird
Buick	X	Apollo
Chevrolet	X	Nova
Oldsmobile	X	Omega
Pontiac	X	Ventura



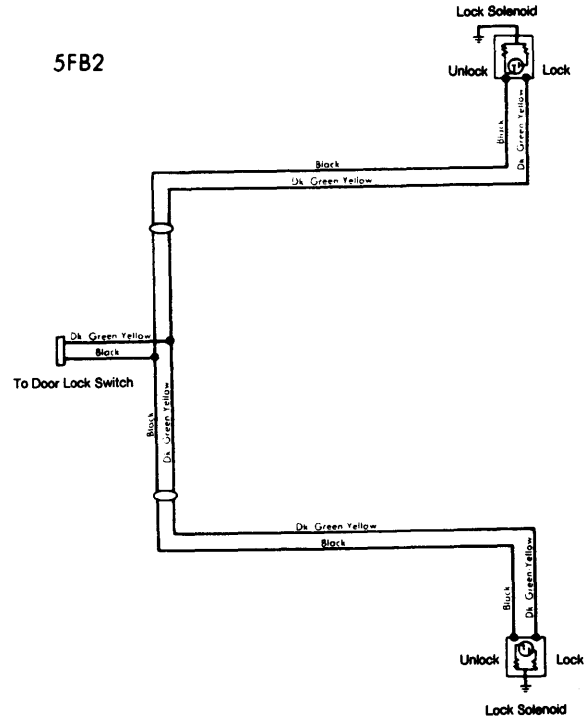
DOOR LOCK WIRING SCHEMATIC

DOOR LOCK WIRING SCHEMATIC

1975 Power Door Locks

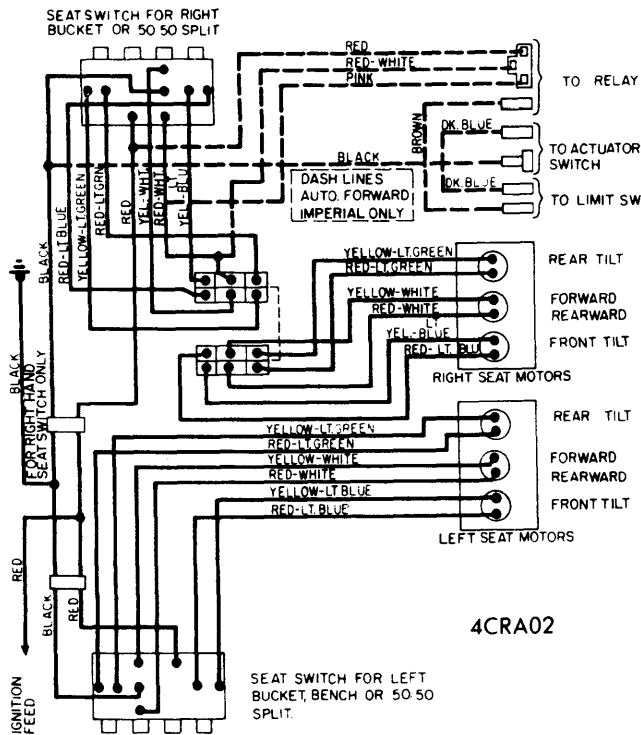


DOOR LOCK WIRING SCHEMATIC
("A" AND "X" BODY STYLES)

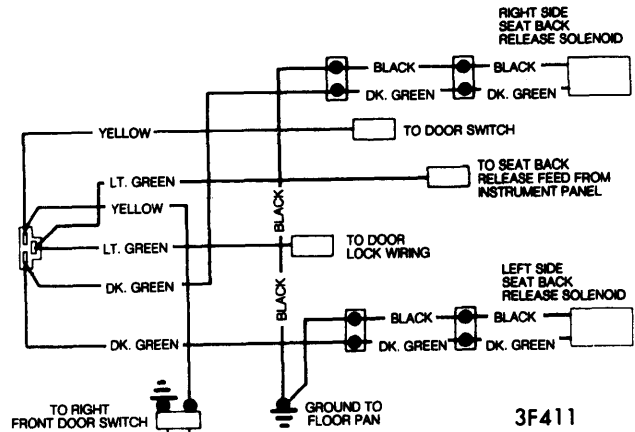


DOOR LOCK WIRING SCHEMATIC
(PONTIAC "F" BODY STYLES)

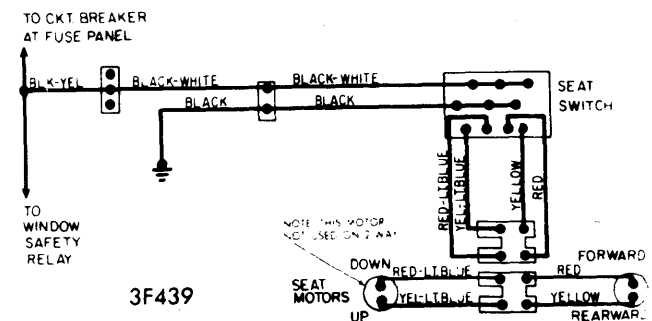
1975 Power Seat Controls



4CRA02



CHRYSLER CORP. SEAT BACK LATCH WIRING



3F439