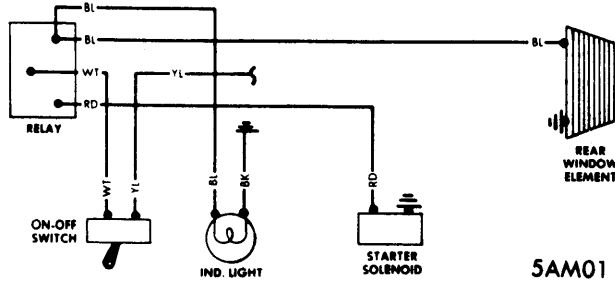
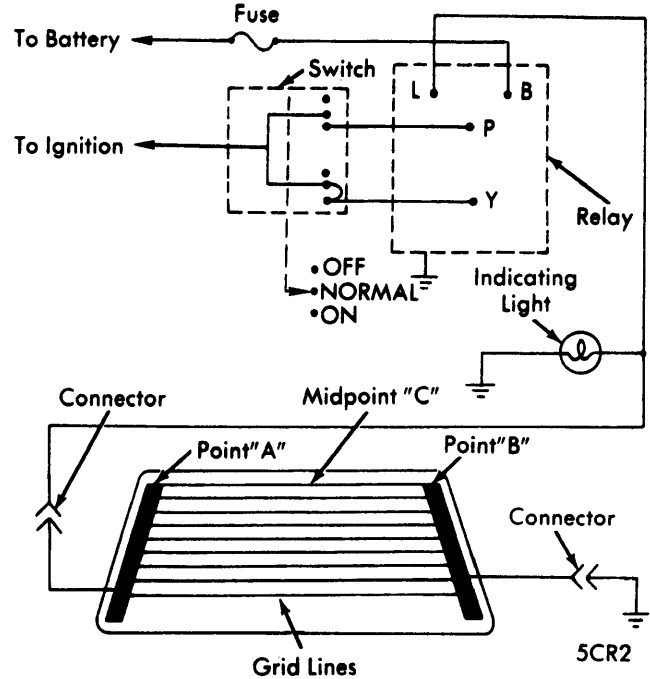


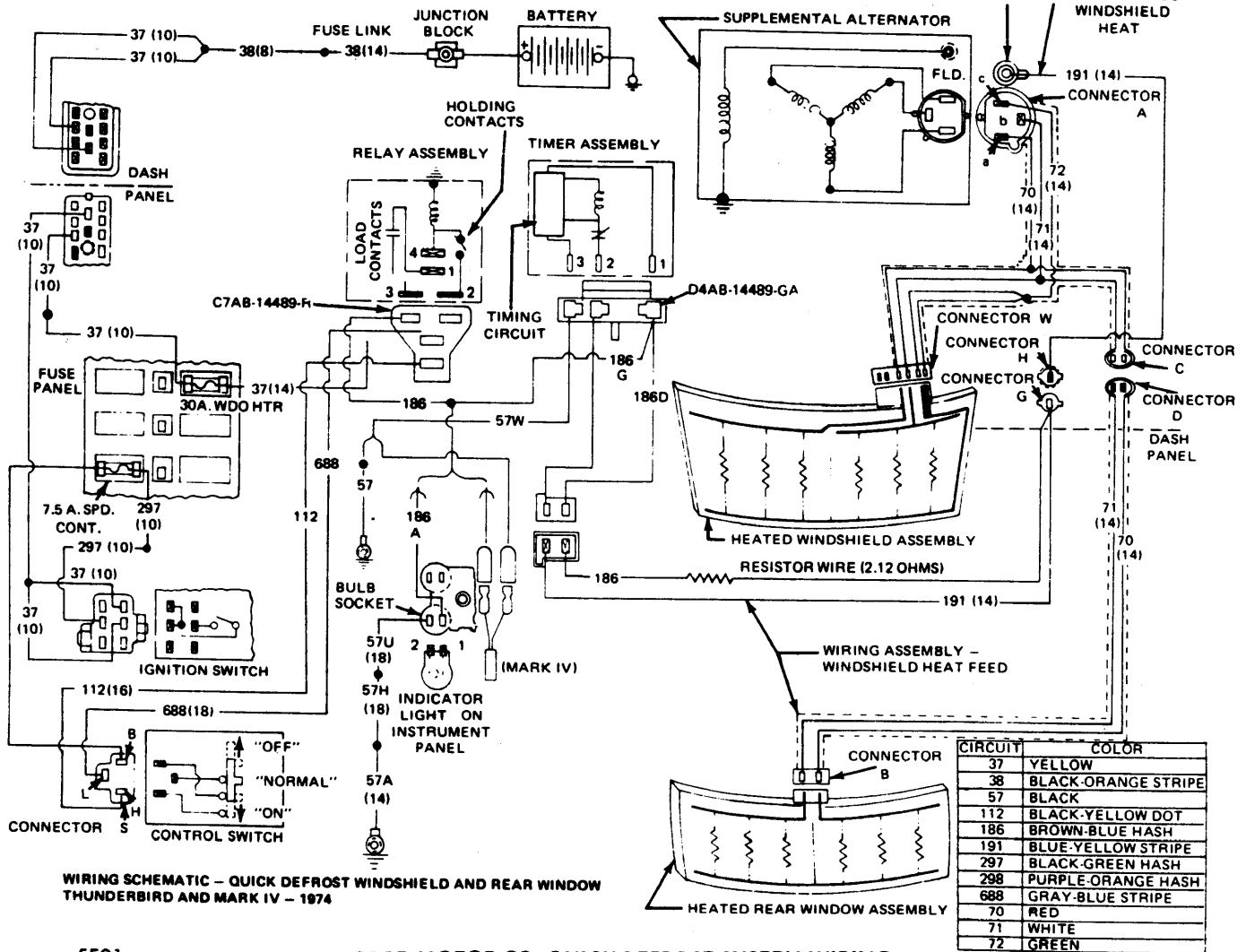
1975 Heated Window Defoggers



AMERICAN MOTORS HEATED REAR WINDOW WIRING



CHRYSLER CORP. HEATED REAR WINDOW WIRING

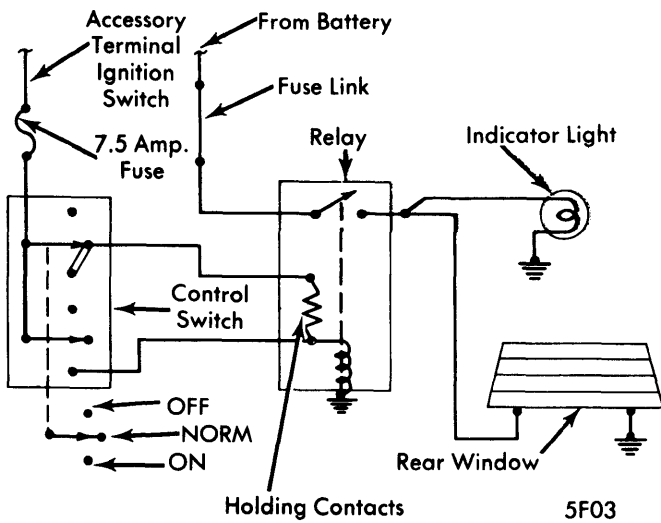


WIRING SCHEMATIC - QUICK DEFROST WINDSHIELD AND REAR WINDOW THUNDERBIRD AND MARK IV - 1974

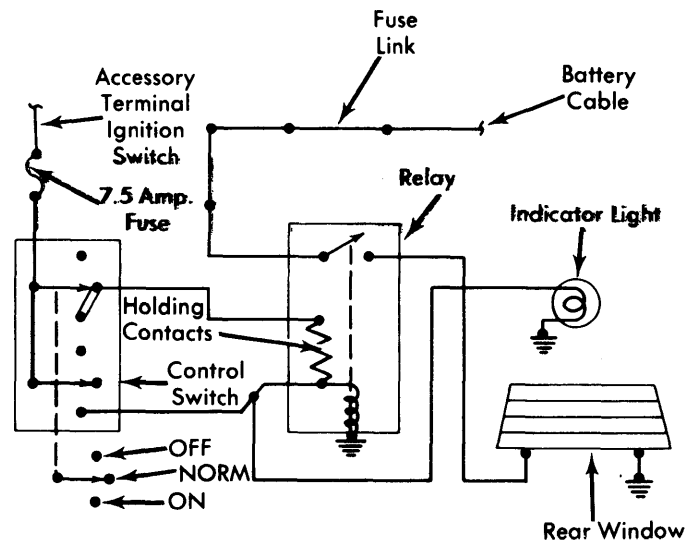
5F01

FORD MOTOR CO. QUICK DEFROST SYSTEM WIRING

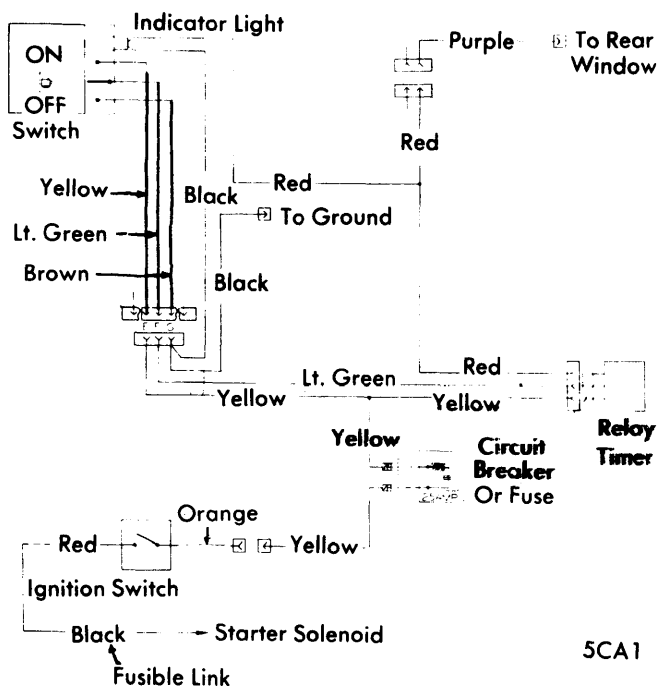
1975 Heated Window Defoggers



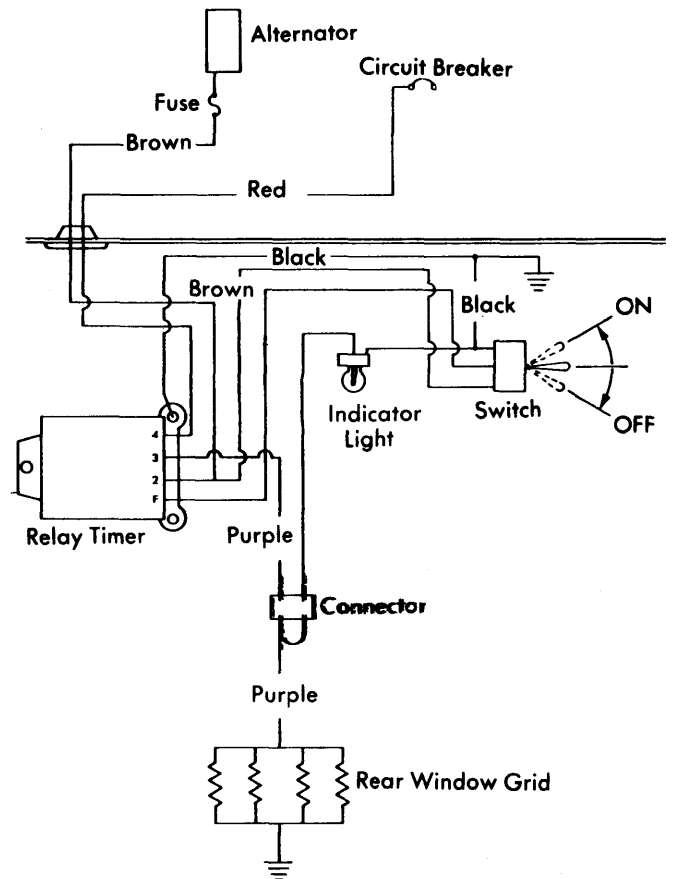
FORD MOTOR CO.
HEATED REAR WINDOW CIRCUIT (EXC. BOBCAT,
MUSTANG, PINTO, GRANADA & MONARCH)



FORD MOTOR CO.
HEATED REAR WINDOW CIRCUIT (MUSTANG,
PINTO, BOBCAT, GRANADA & MONARCH)

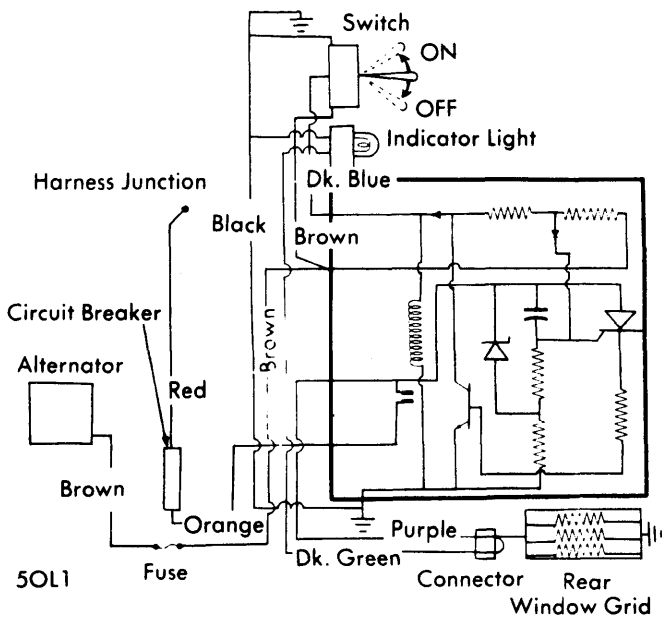


HEATED REAR WINDOW SCHEMATIC (CARLINE)

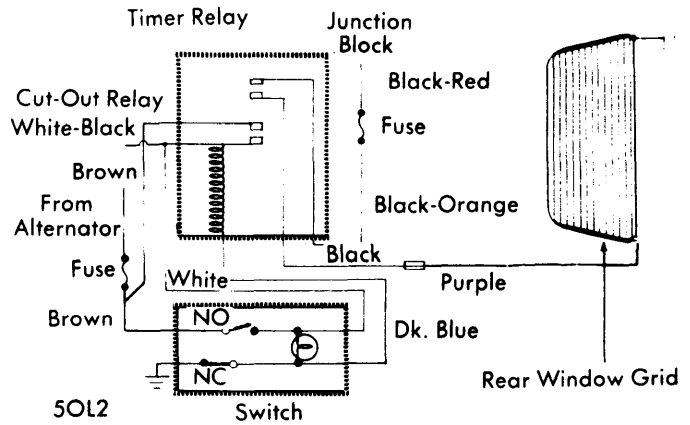


HEATED REAR WINDOW SCHEMATIC

1975 Heated Window Defoggers

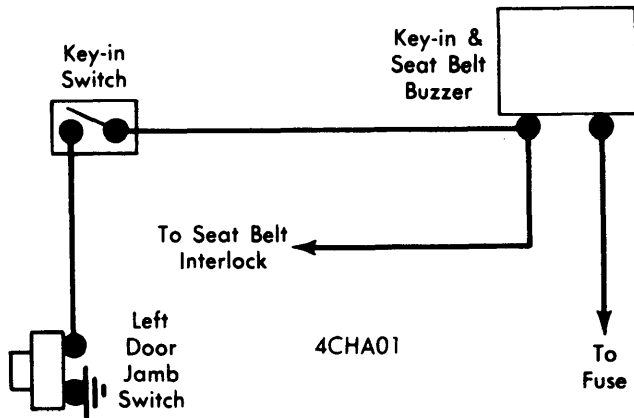


**HEATED REAR WINDOW SCHEMATIC
(OLDSMOBILE STARFIRE)**

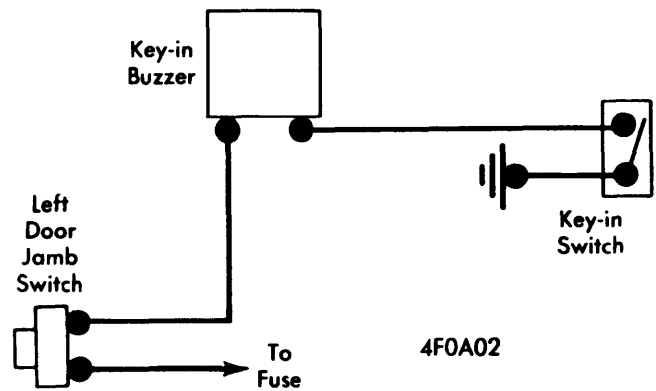


**HEATED REAR WINDOW SCHEMATIC
(OLDSMOBILE EXC. STARFIRE)**

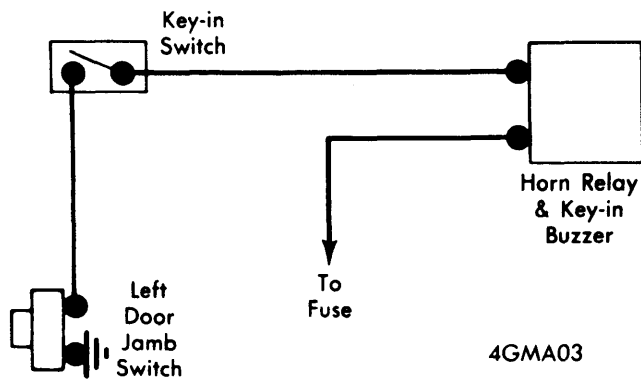
1975 Key Warning Buzzers



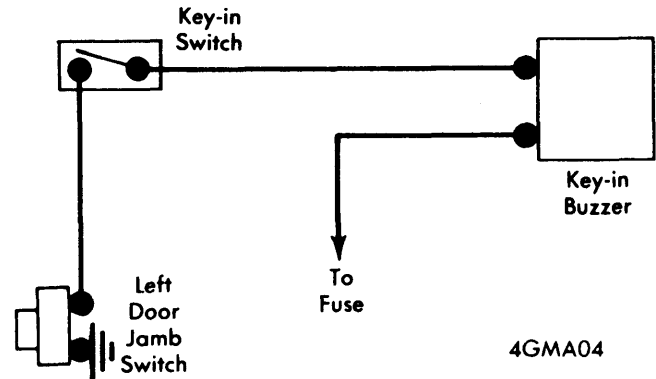
CHRYSLER & AMC BUZZER WIRING DIAGRAM



FORD BUZZER WIRING DIAGRAM



GENERAL MOTORS HORN RELAY - BUZZER



**GENERAL MOTORS (CHEVROLET - BUICK)
BUZZER WIRING DIAGRAM**