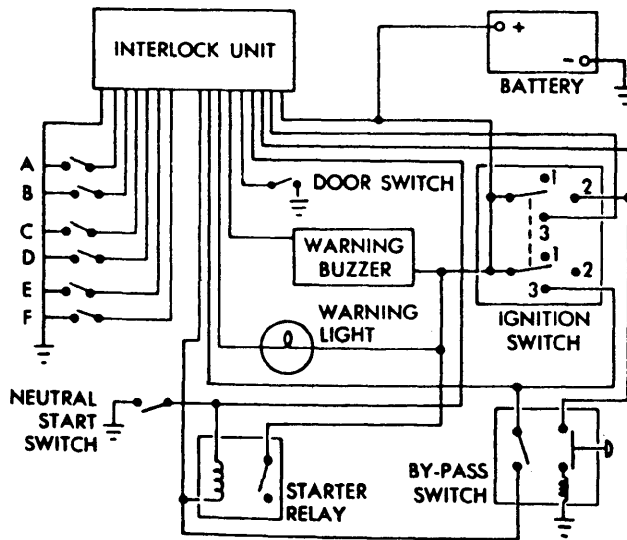


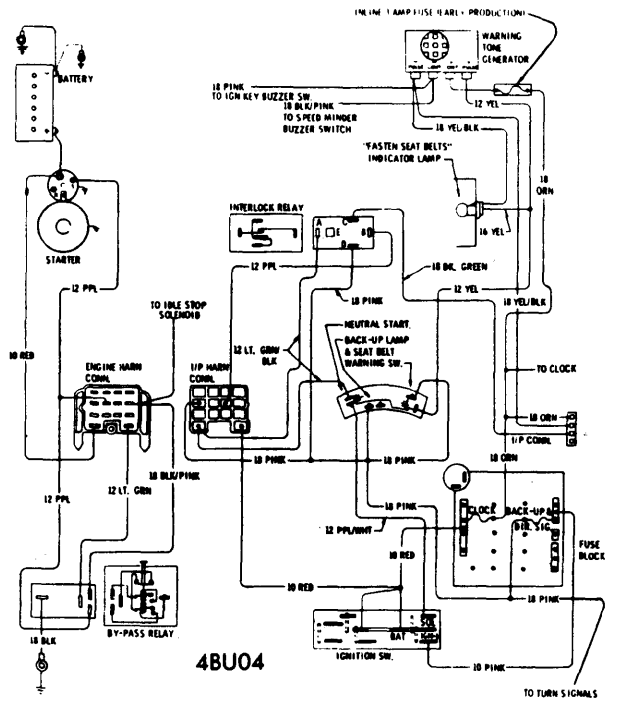
1974 Seat Belt Starter Interlock



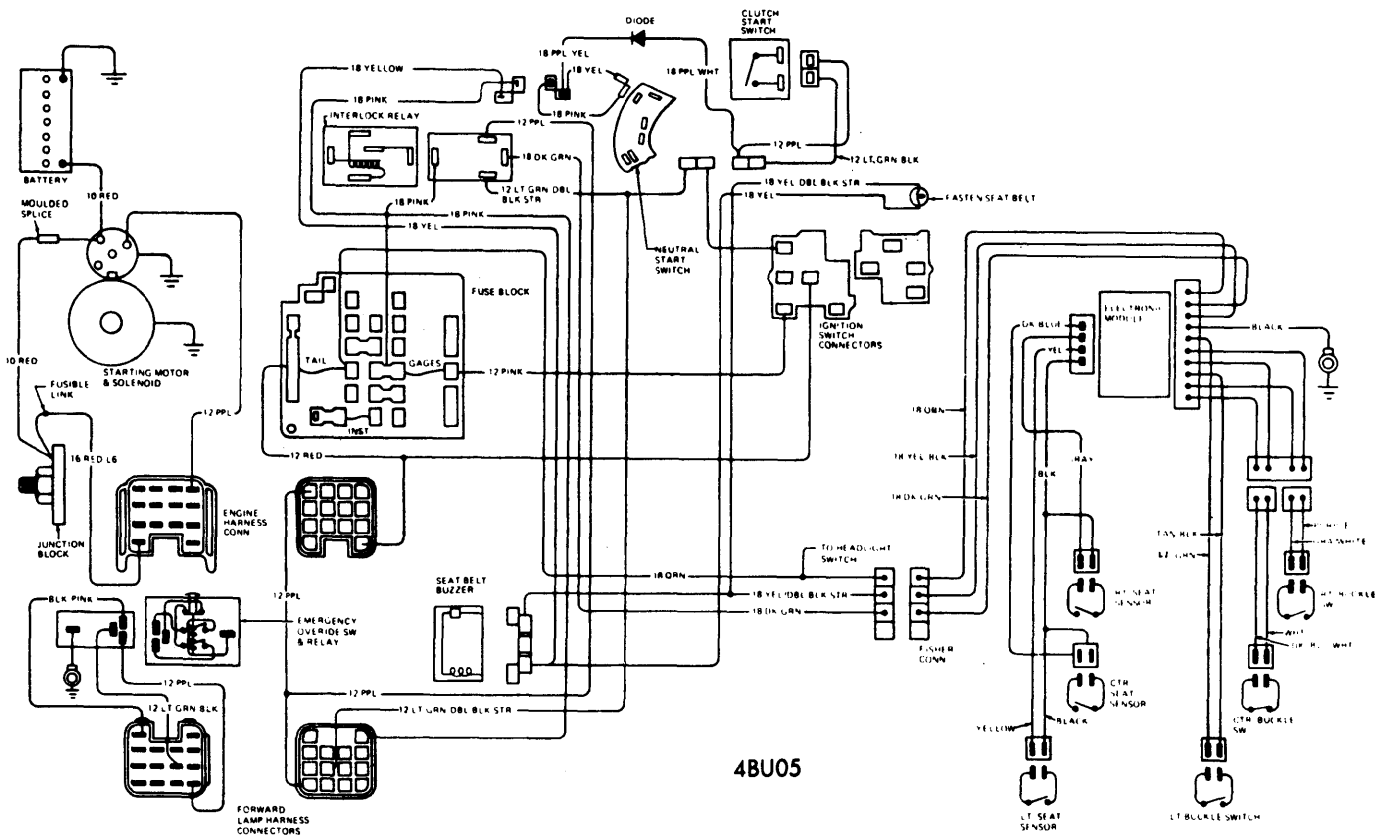
NOTE:
SCHEMATIC IS SHOWN WITH IGNITION SWITCH OFF AS IN POSITION 1. RUN IS POSITION 2. START IS POSITION 3.

4CR01

CHRYSLER CORP. SEAT BELT STARTER INTERLOCK WIRING



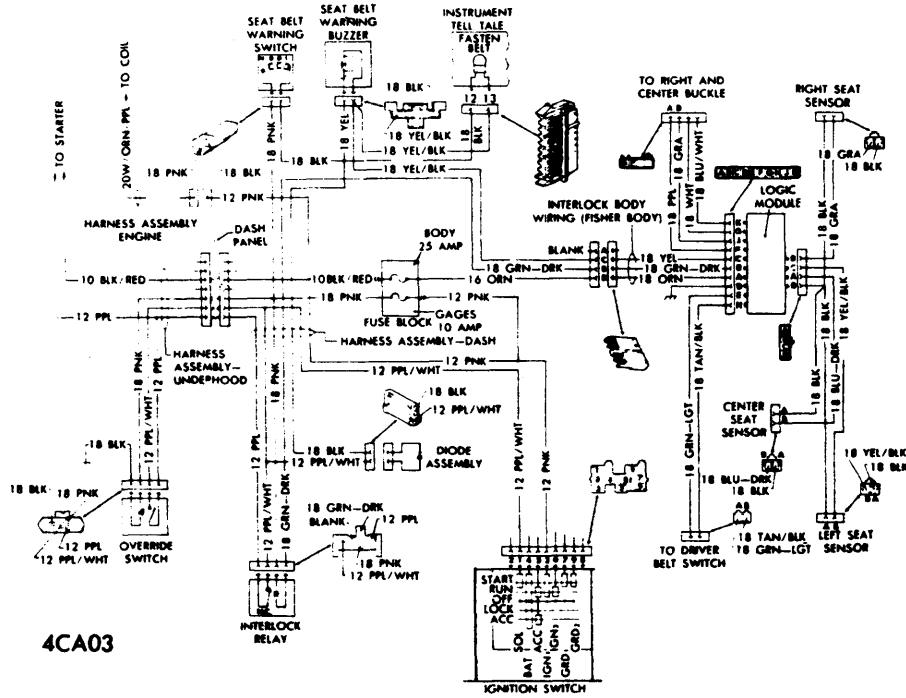
BUICK STARTER INTERLOCK WIRING (EXC. APOLLO)



4BU05

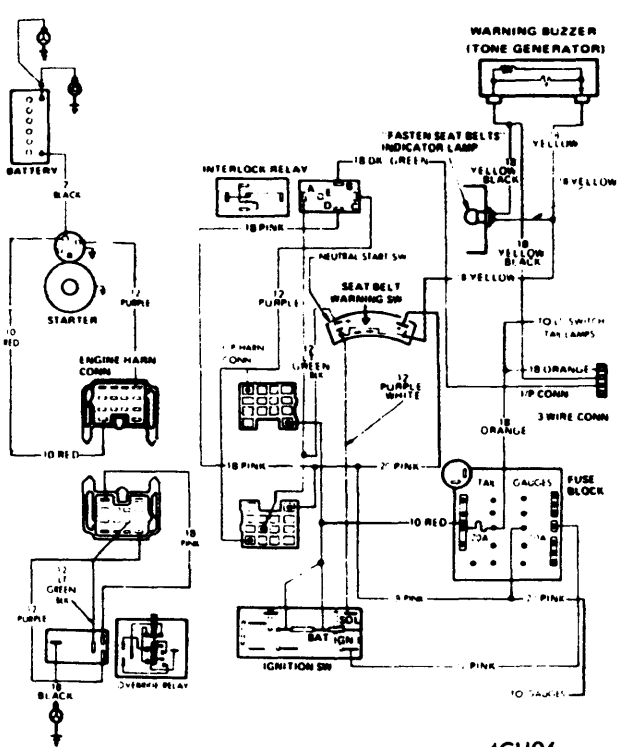
BUICK APOLLO SEAT BELT STARTER INTERLOCK WIRING

1974 Seat Belt Starter Interlock



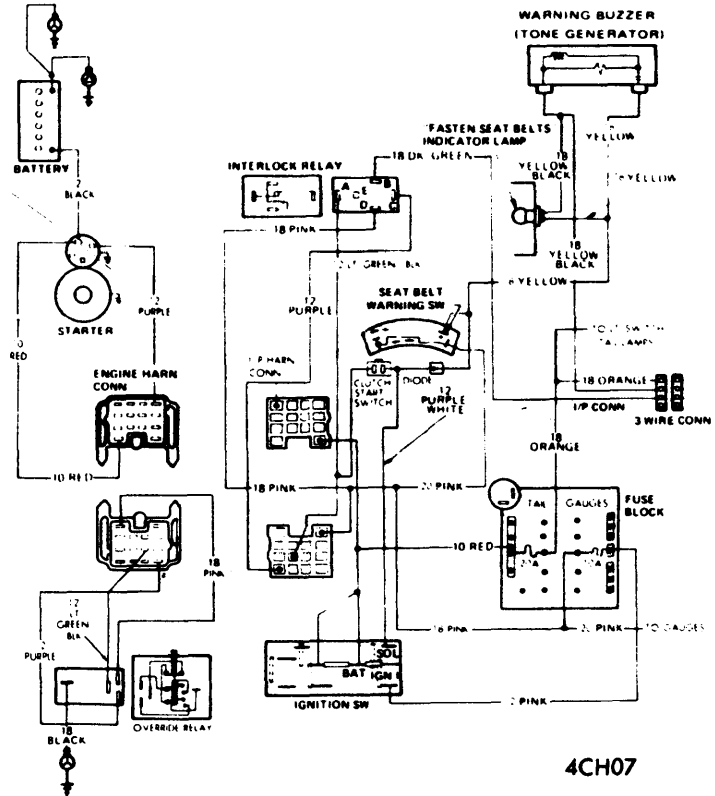
4CA03

CADILLAC SEAT BELT STARTER INTERLOCK WIRING



4CH06

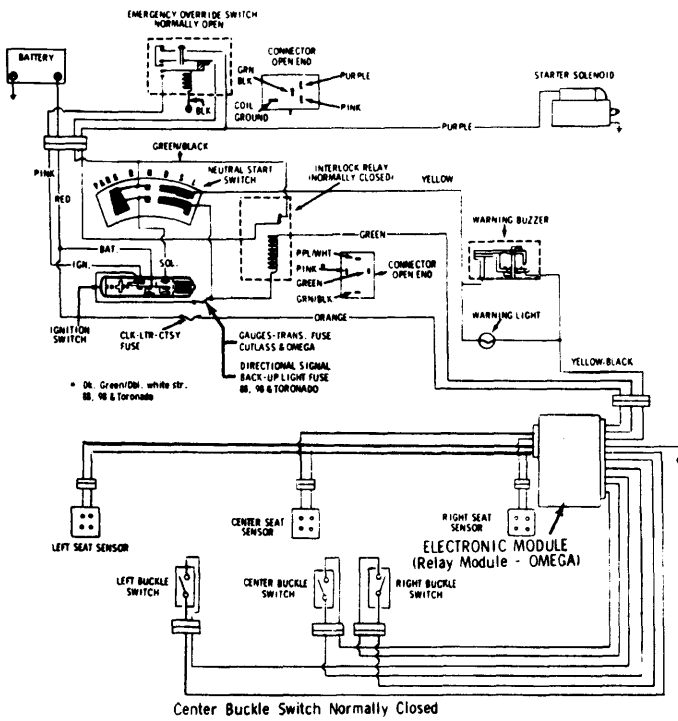
CHEVROLET SEAT BELT STARTER INTERLOCK WIRING (AUTOMATIC TRANSMISSION)



4CH07

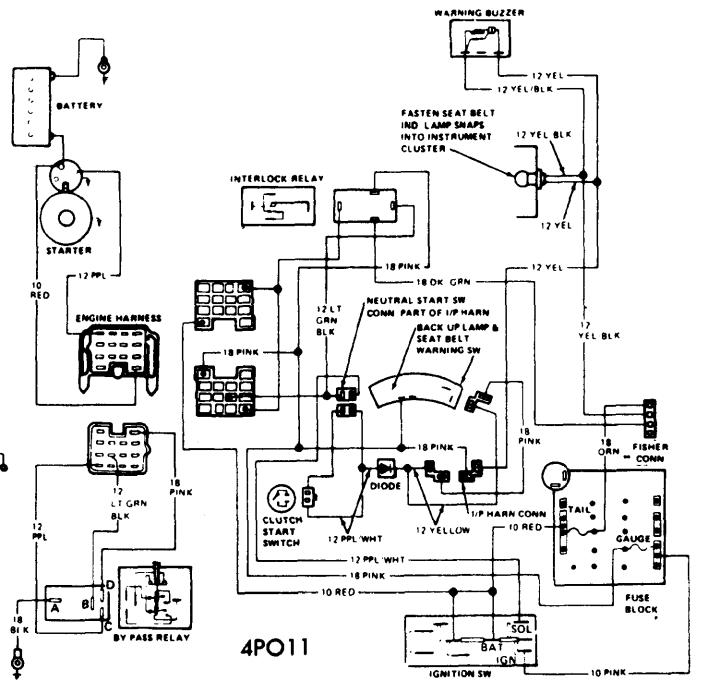
CHEVROLET SEAT BELT STARTER INTERLOCK WIRING (MANUAL TRANSMISSION)

1974 Seat Belt Starter Interlock



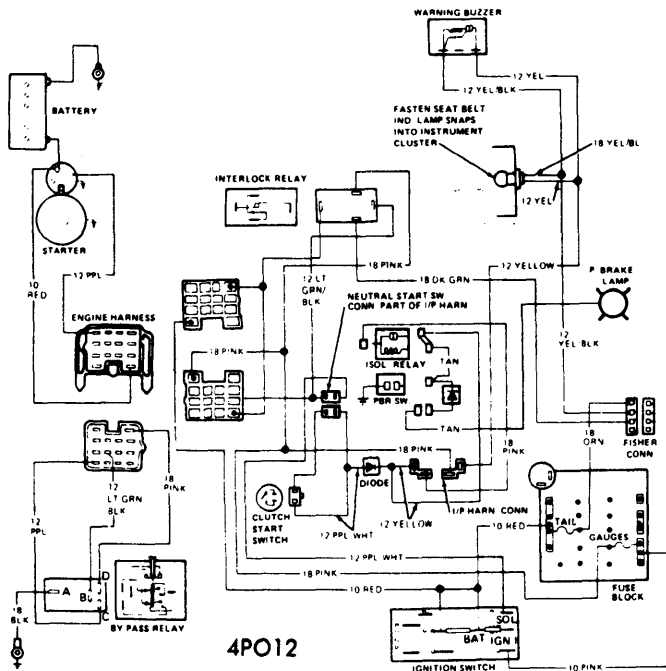
NOTE: On OMEGA all three buckle switches normally closed.

40L02

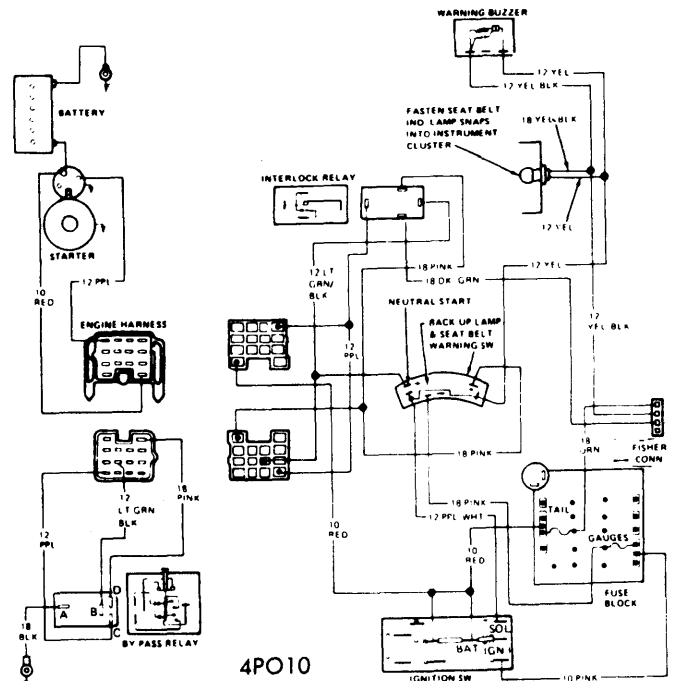


PONTIAC FIREBIRD SEAT BELT STARTER INTERLOCK WIRING, COLUMN SHIFT (MANUAL TRANSMISSION)

OLDSMOBILE SEAT BELT STARTER INTERLOCK WIRING



PONTIAC FIREBIRD SEAT BELT STARTER INTERLOCK WIRING, FLOOR SHIFT (MANUAL TRANSMISSION)



PONTIAC FIREBIRD SEAT BELT STARTER INTERLOCK WIRING (AUTOMATIC TRANSMISSION)

