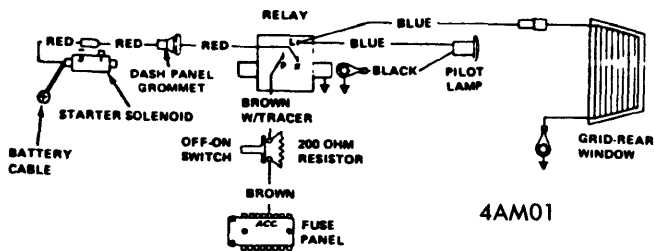
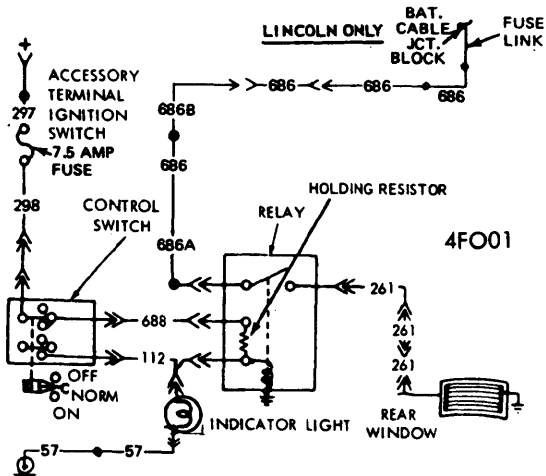


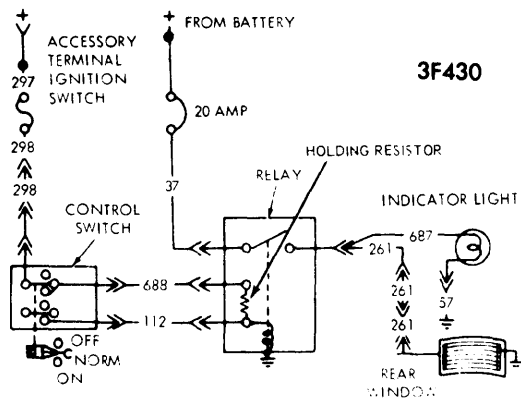
FUSIBLE LINK-REPLACE WITH NYLON INSULATED NO. 18 GA. COPPER WIRE ONLY



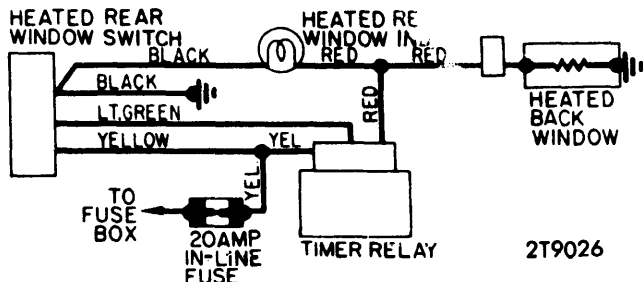
AMERICAN MOTORS WINDOW DEFOGGER WIRING (HORNET & GREMLIN)



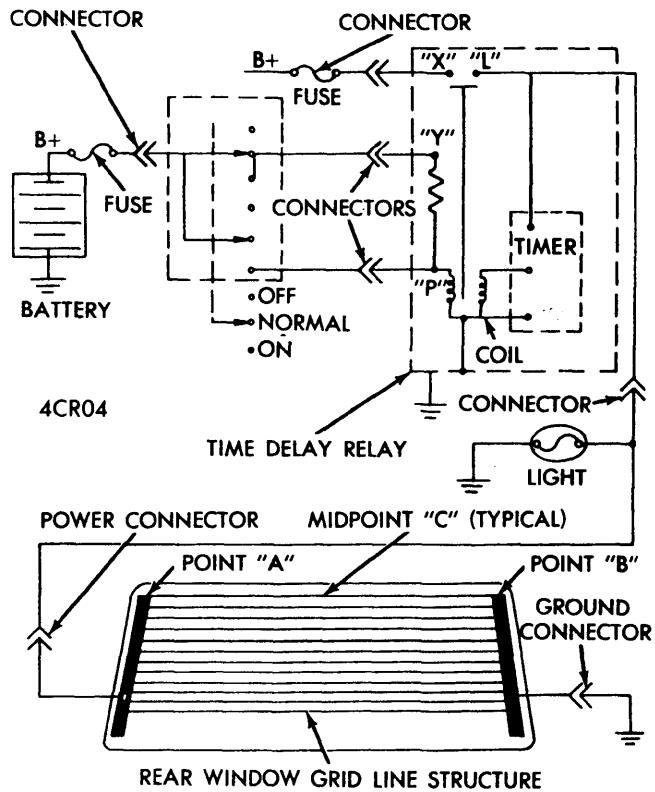
LINCOLN LATCHING RELAY WINDOW DEFOGGER WIRING



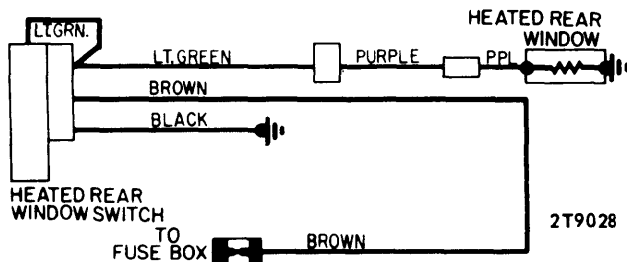
FORD MOTOR CO. (EXC. LINCOLN) LATCHING RELAY REAR WINDOW DEFOGGER WIRING



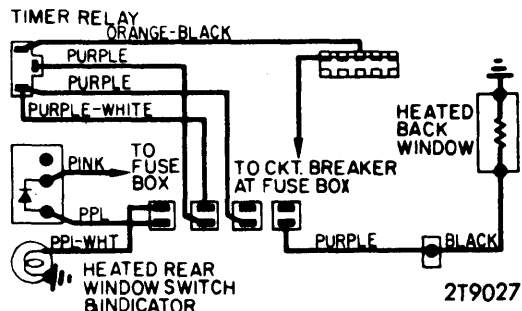
CADILLAC WINDOW DEFOGGER SYSTEM



CHRYSLER CORP. HEATED REAR WINDOW DEFOGGER WIRING

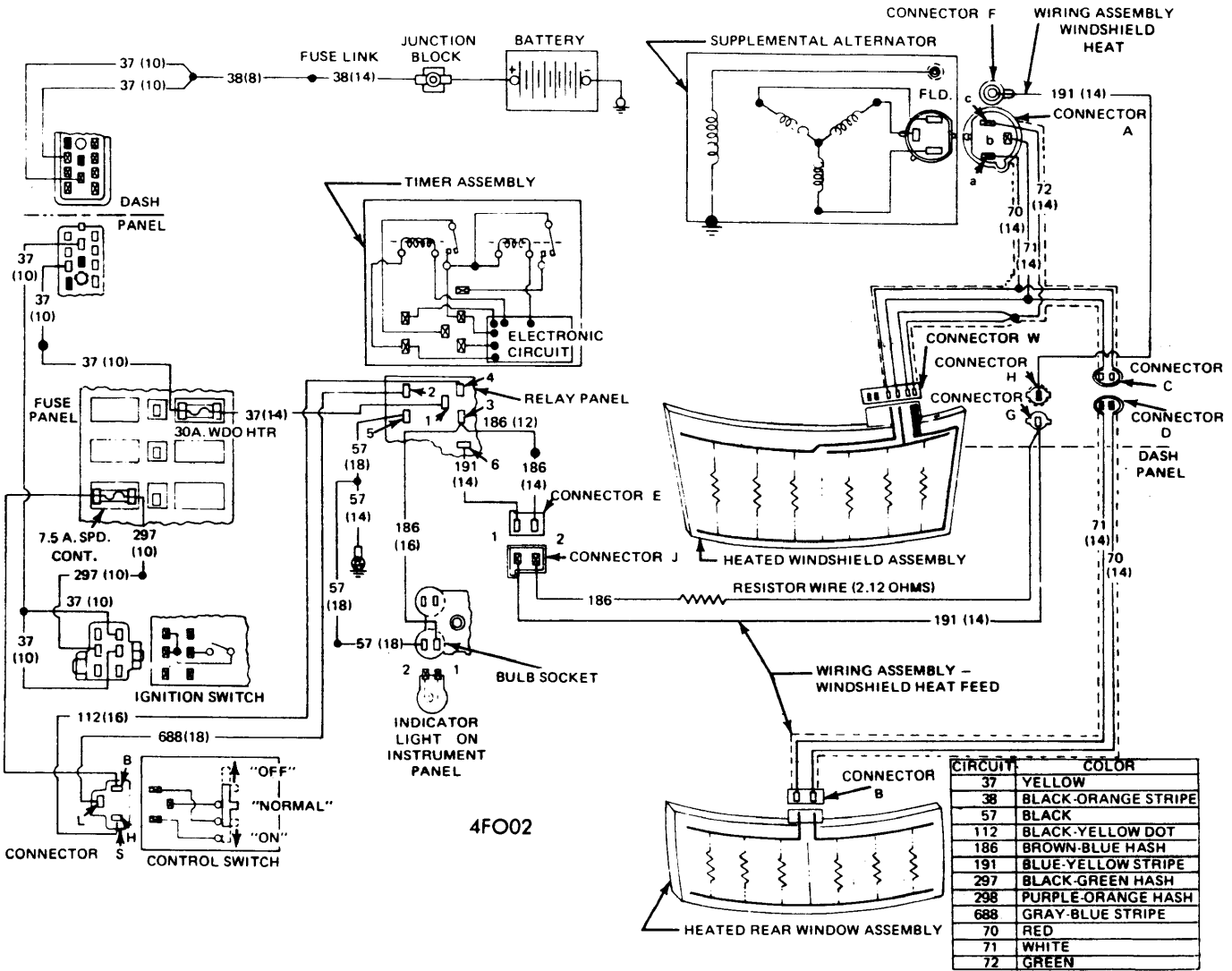


PONTIAC WINDOW DEFOGGER SYSTEM



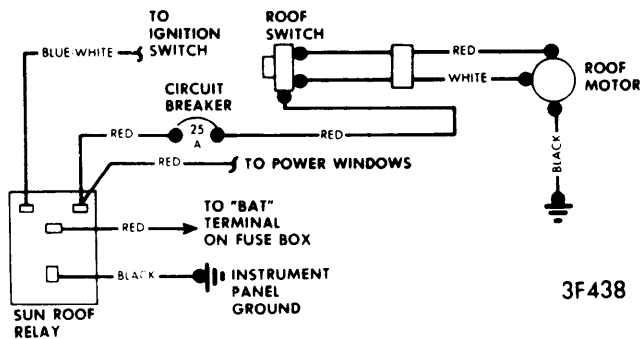
BUICK WINDOW DEFOGGER SYSTEM

1974 Electric Window Defoggers

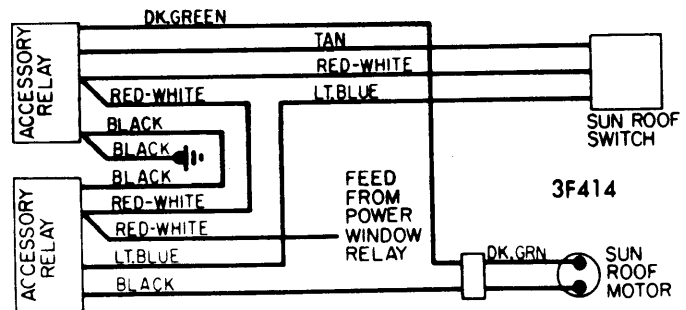


THUNDERBIRD & MARK IV, FRONT & REAR WINDOW QUICK DEFROST SYSTEM WIRING

1974 Electric Sunroofs



CHRYSLER SUNROOF WIRING



RIVERIA SUNROOF WIRING