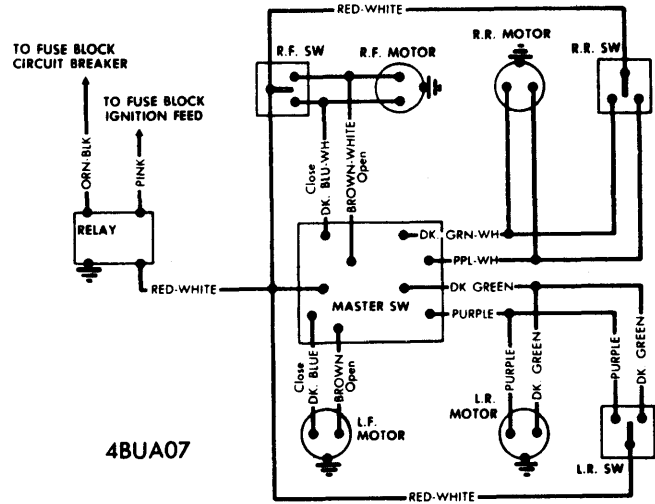


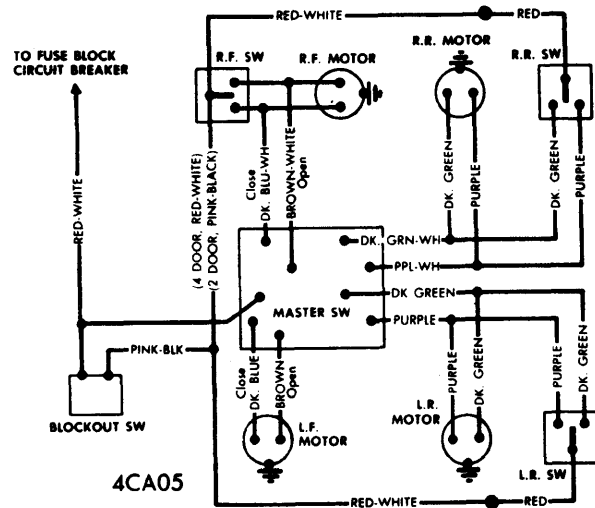
1974 Electric Window Controls

NOTE — On General Motors cars, body wiring differs in accordance with body type ("A", "B", etc.). Refer to table to identify wiring diagrams for any particular model.

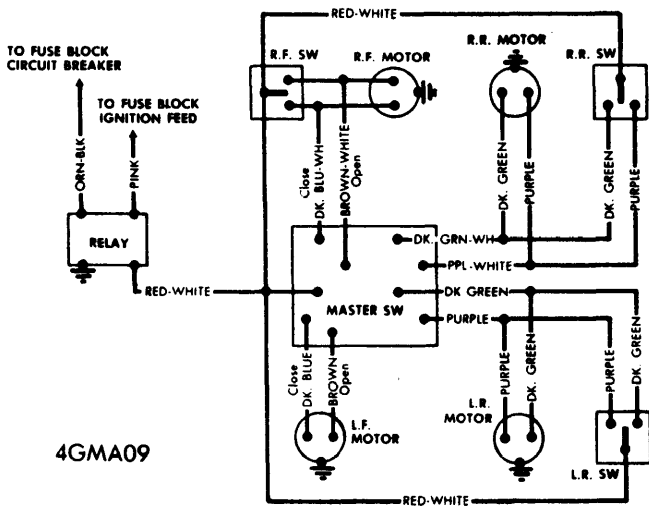
GM Division	Body Type	Car Name
Buick	A	Century, Regal
Chevrolet	A	Chevelle, Monte Carlo
Oldsmobile	A	Cutlass
Pontiac	A	Grand Am, Grand Prix
	A	LeMans
Buick	B	Estate Wagon, LeSabre
Chevrolet	B	Biscayne, Bel Air Impala, Caprice
Oldsmobile	B	Delta
Pontiac	B	Catalina, Bonneville
	B	Grand Ville
Buick	C	Electra, Limited
Cadillac	C	Fleetwood, Calais
	C	DeVille
Oldsmobile	C	Ninety Eight
Buick	E	Riviera
Cadillac	E	Eldorado
Oldsmobile	E	Toronado
Chevrolet	F	Camaro
Pontiac	F	Firebird



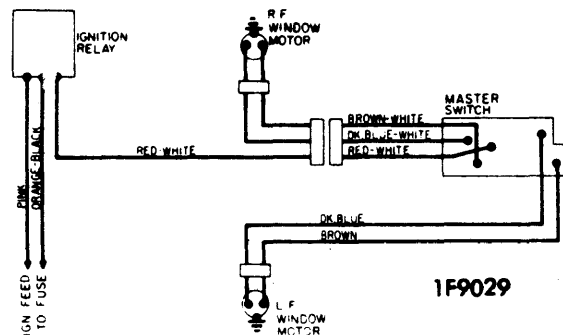
BUICK "B", "C", & "E" BODY POWER WINDOW WIRING



CADILLAC "C" & "E" BODY POWER WINDOW WIRING



GENERAL MOTORS "A" BODY & OLDSMOBILE "C" BODY POWER WINDOW WIRING

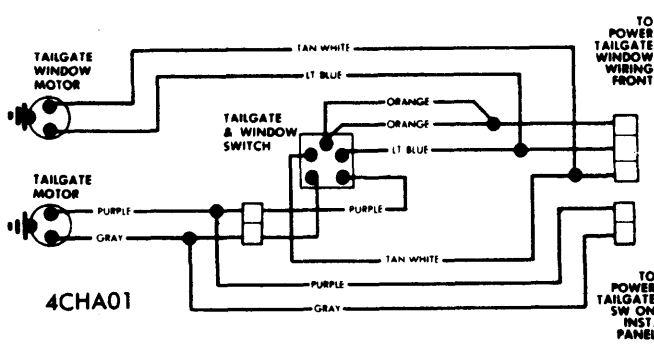


PONTIAC "F" BODY POWER WINDOW WIRING

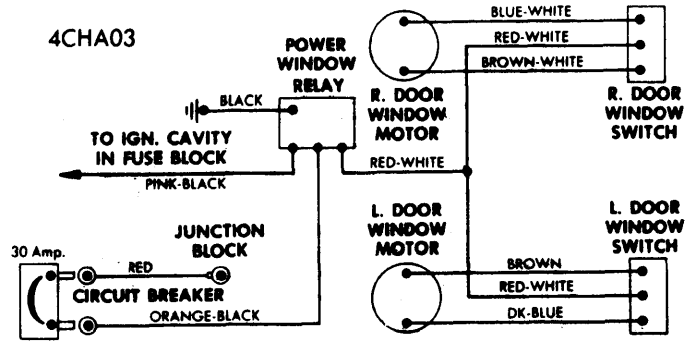
4POA01

1974 Electric Window Controls

5-121

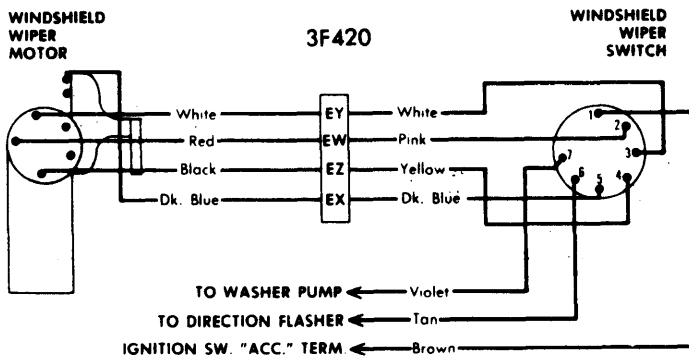


GENERAL MOTORS POWER TAILGATE WINDOW WIRING

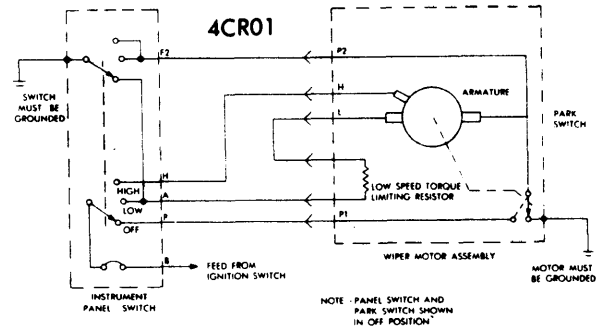


CORVETTE POWER WINDOW WIRING

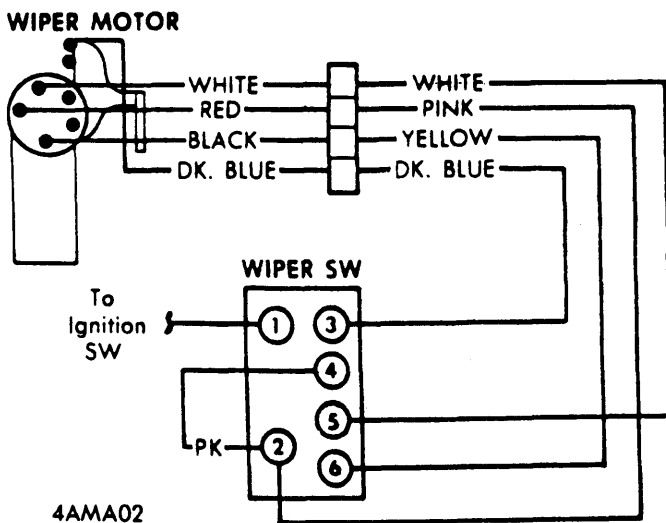
1974 Electric Windshield Wipers



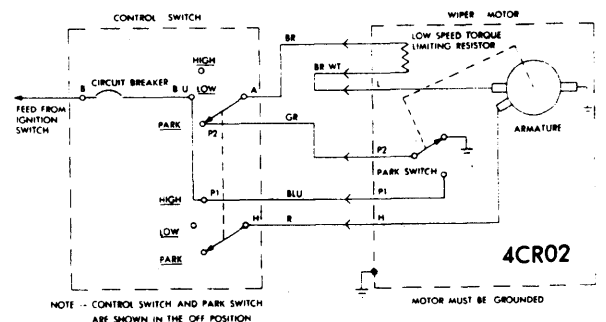
AMERICAN MOTORS WIPER SYSTEM (EXC. JAVELIN)



CHRYSLER CORP. TWO SPEED WIPER SYSTEM (CONCEALED WIPERS)



JAVELIN WIPER SYSTEM WIRING



CHRYSLER CORP. TWO SPEED WIPER SYSTEM (NON-CONCEALED WIPERS)