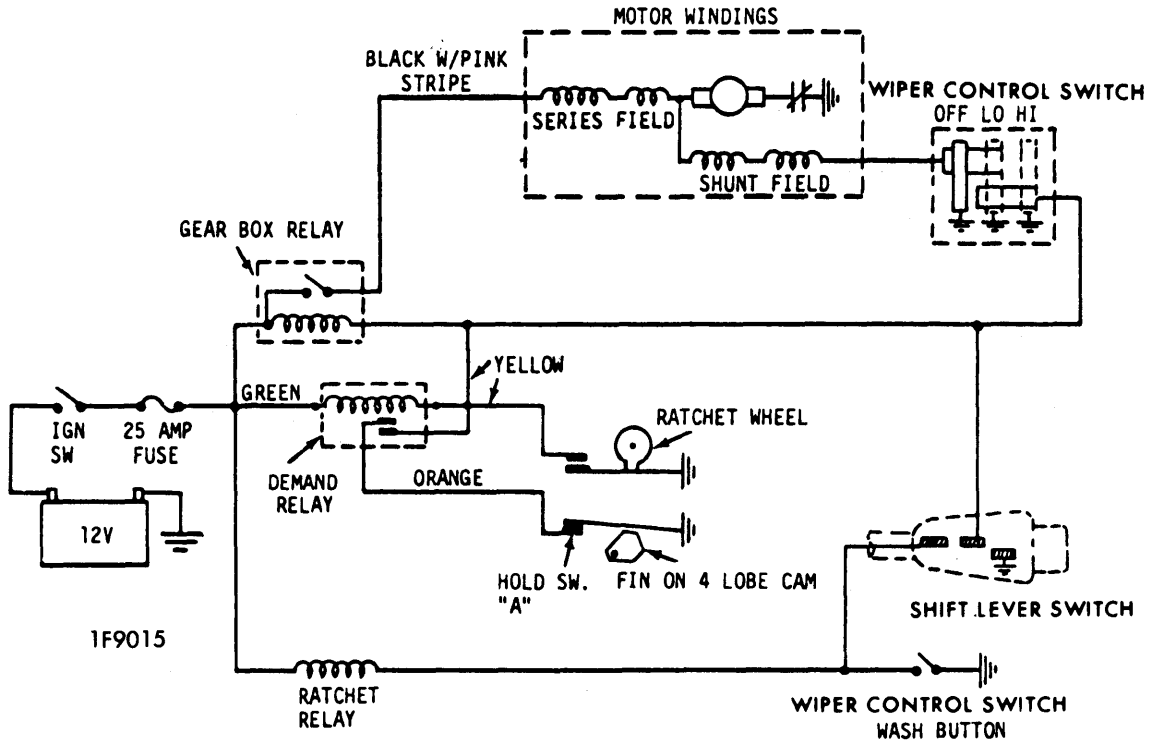
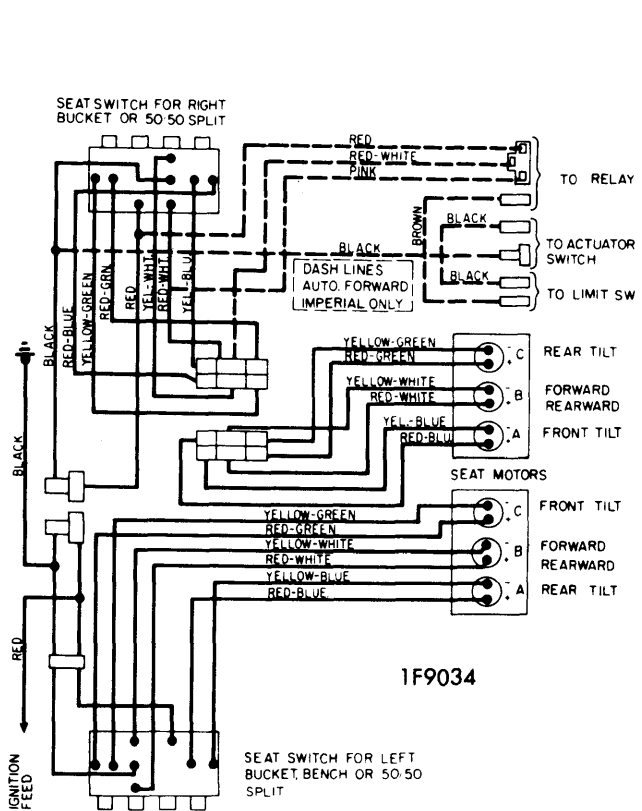


1973 Electric Windshield Wipers 4-107

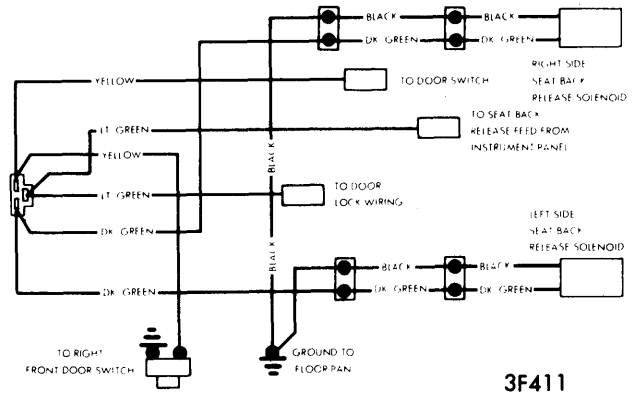


GENERAL MOTORS DEMAND WIPER SYSTEM

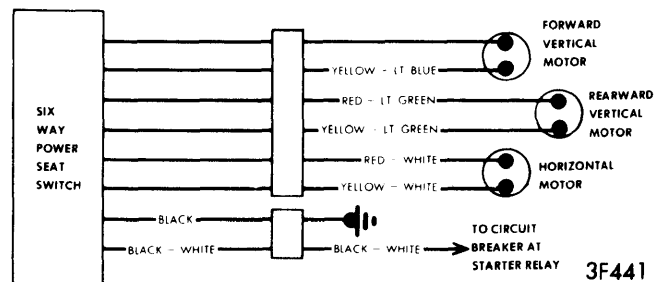
1973 Power Seat Controls



CHRYSLER CORP. POWER SEAT WIRING



CHRYSLER CORP. SEAT BACK LATCH WIRING



FORD MOTOR CO. 6-WAY POWER SEAT WIRING

