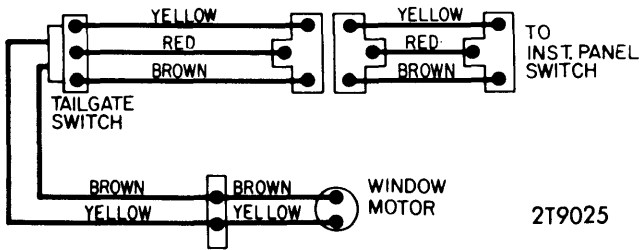
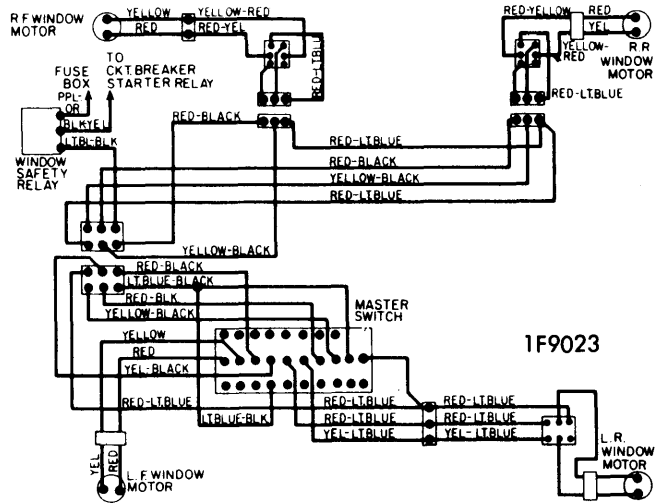


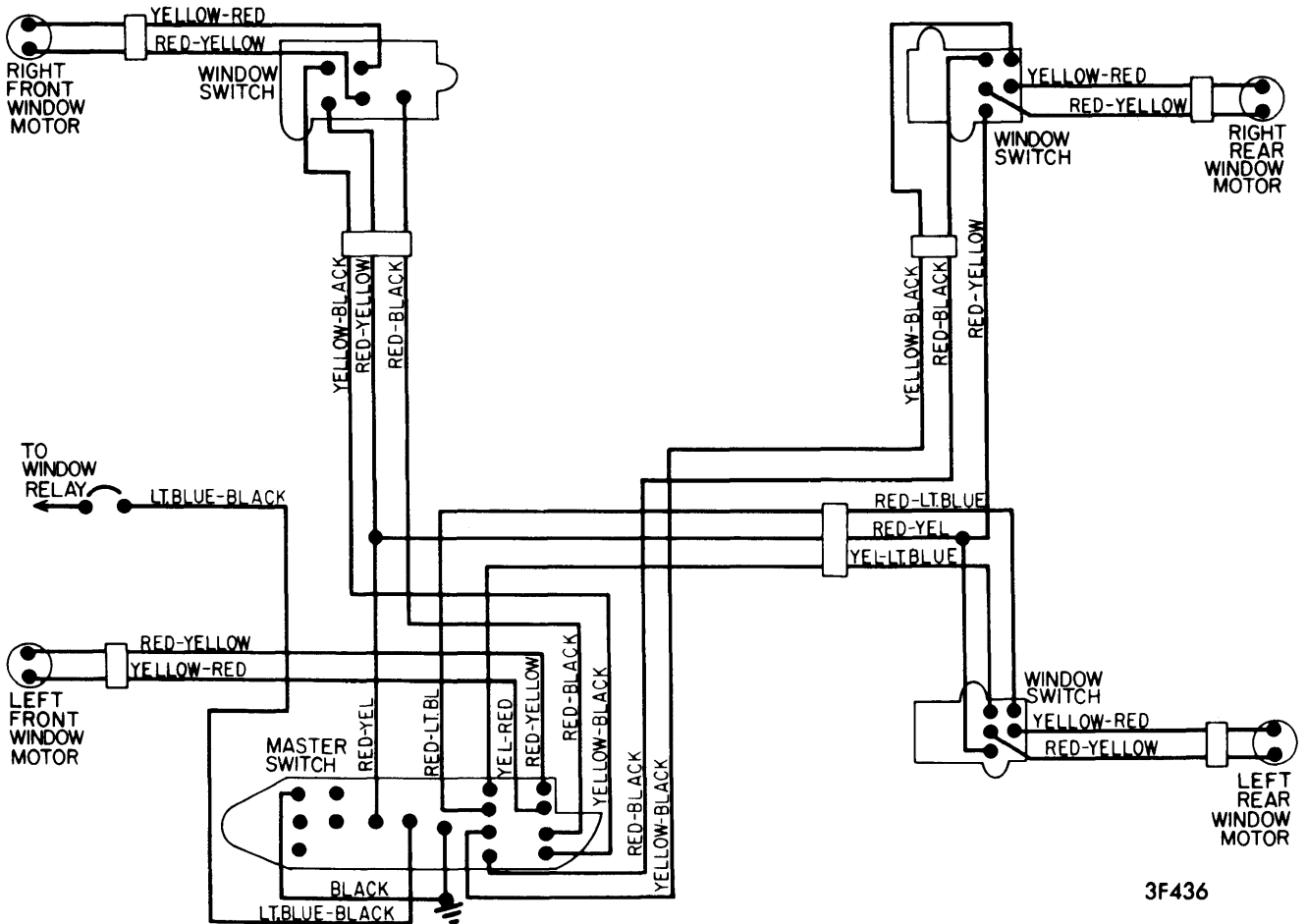
1973 Electric Window Controls



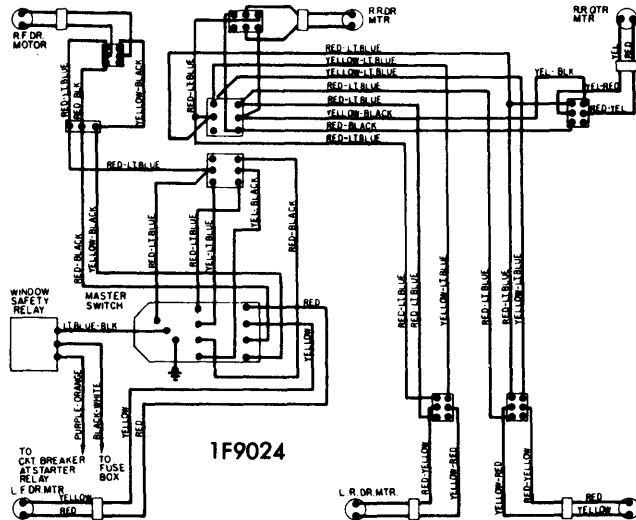
CHRYSLER CORP. TAILGATE WINDOW WIRING



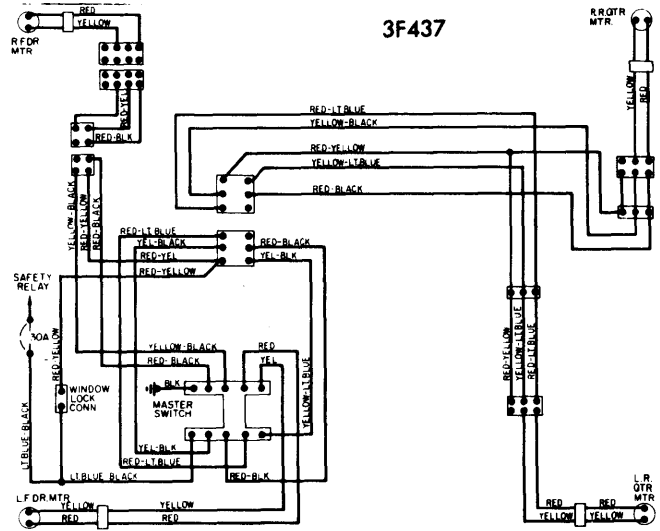
MUSTANG & COUGAR POWER WINDOW WIRING



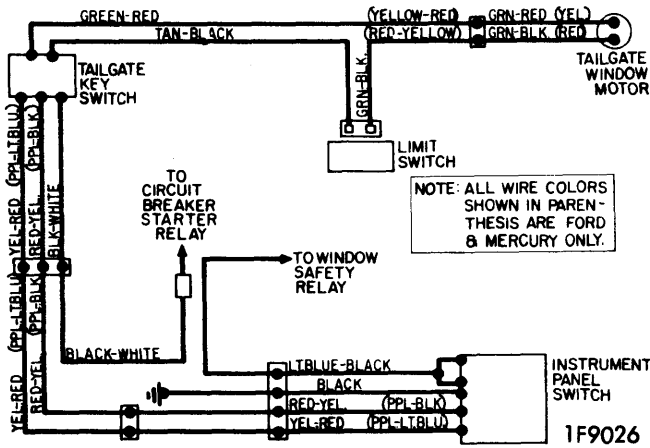
LINCOLN CONTINENTAL POWER WINDOW WIRING



FORD & MERCURY POWER WINDOW WIRING



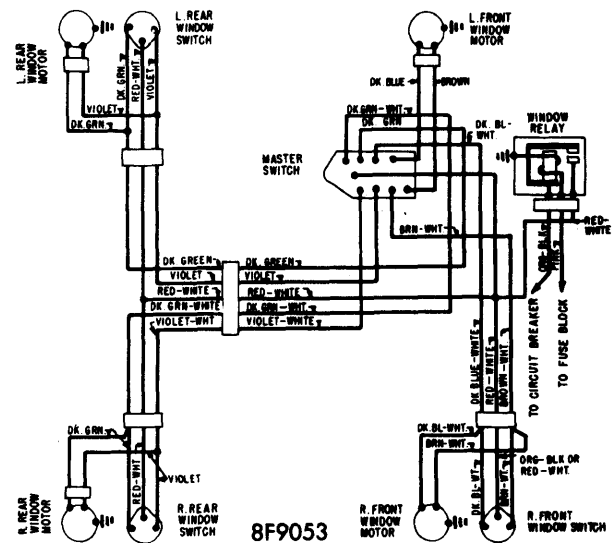
MARK IV & THUNDERBIRD POWER WINDOW WIRING



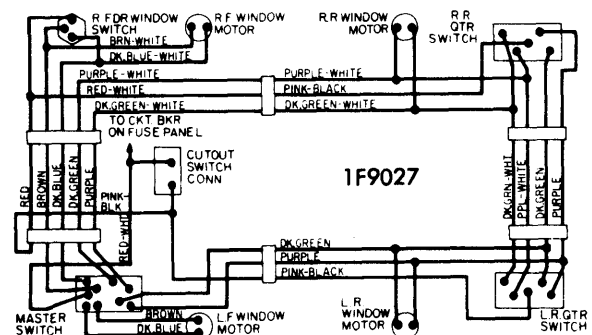
FORD MOTOR CO. TAILGATE WINDOW WIRING

NOTE - On General Motors cars, body wiring differs in accordance with Body Type ("A", "B", etc.) as listed below. Refer to this listing to identify the wiring diagram for any particular model.

GM Division	Body Type	Car Name
Buick	A	Century, Regal
Chevrolet	A	Chevelle, Monte Carlo
Oldsmobile	A	Cutlass
Pontiac	A	LeMans, Grand Prix
Buick	B	LeSabre, Centurion
Chevrolet	B	Biscayne, Bel Air Impala, Caprice
Oldsmobile	B	Delta
Pontiac	B	Catalina, Bonneville Grand Ville
Buick	C	Electra
Cadillac	C	Fleetwood, Calais
	C	DeVille
Oldsmobile	C	Ninety Eight
Buick	E	Riviera
Cadillac	E	Eldorado
Oldsmobile	E	Toronado
Chevrolet	F	Camaro
Pontiac	F	Firebird

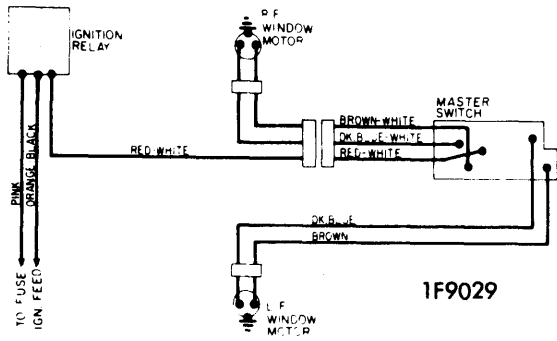


GENERAL MOTORS "A" STYLE POWER WINDOW WIRING

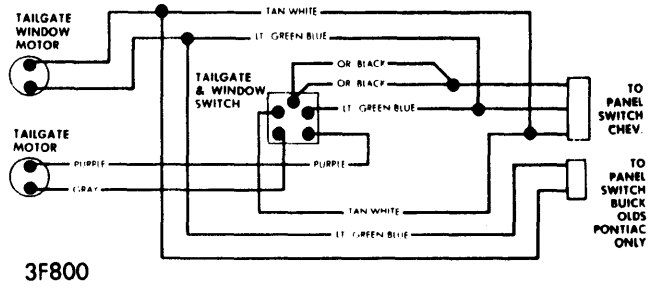


GENERAL MOTORS "B-C-E" STYLE POWER WINDOW WIRING

1973 Electric Window Controls

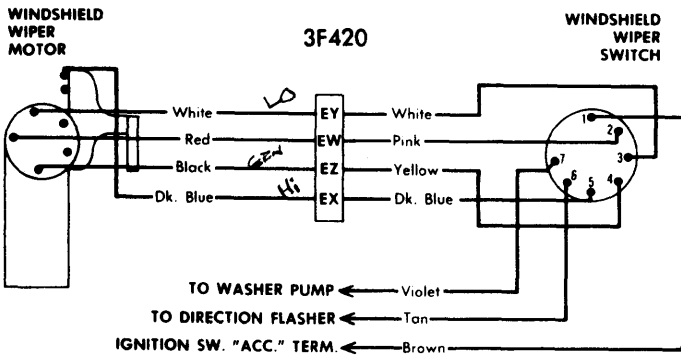


**GENERAL MOTORS "F" STYLE
POWER WINDOW WIRING**

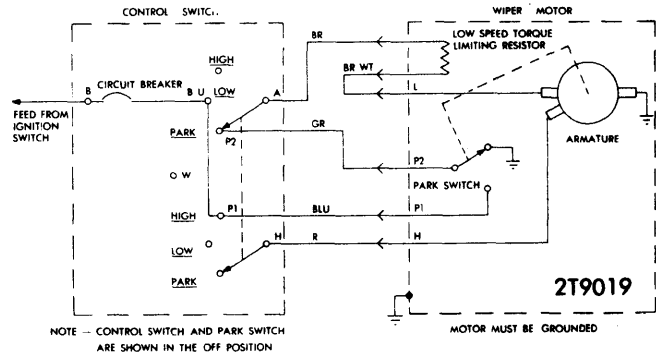


GENERAL MOTORS TAILGATE WINDOW WIRING

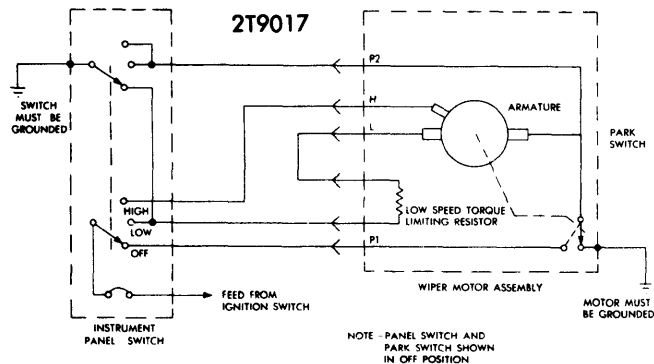
1973 Electric Windshield Wipers



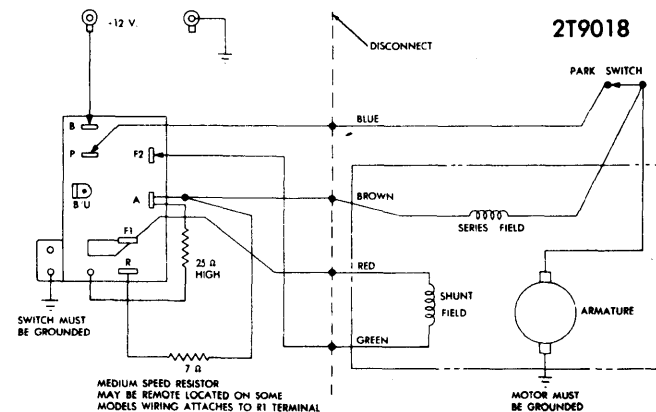
AMERICAN MOTORS WIPER SYSTEM



**CHRYSLER CORP. 2-SPEED WIPER SYSTEM
(NON-CONCEALED WIPERS)**



**CHRYSLER CORP. 2-SPEED WIPER SYSTEM
(CONCEALED WIPERS)**



CHRYSLER CORP. 3-SPEED WIPER SYSTEM