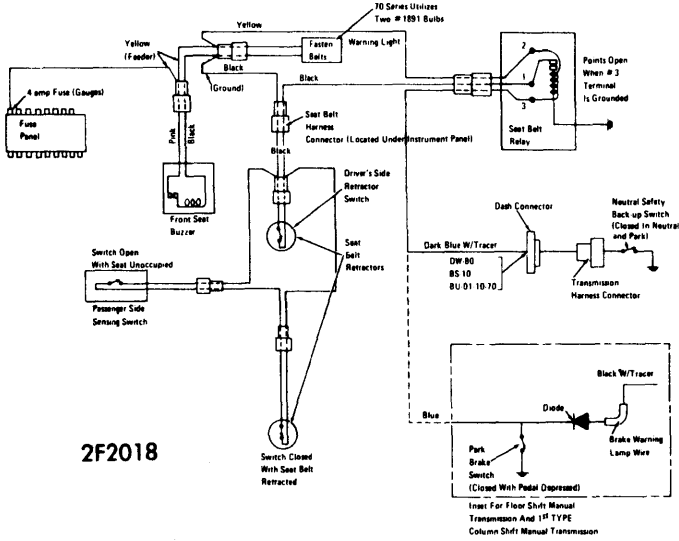
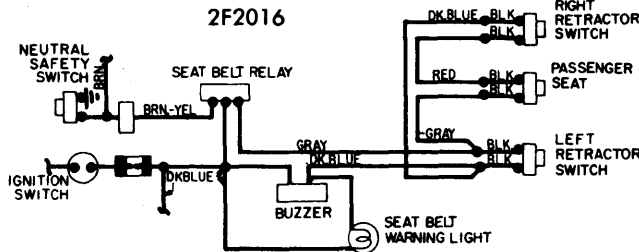


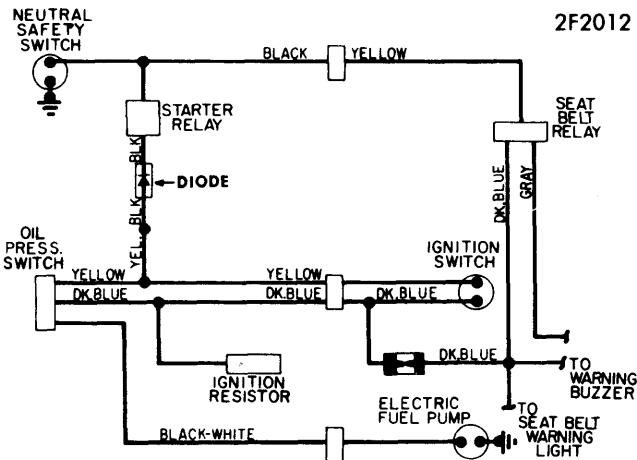
# 1972 Seat Belt Warning System



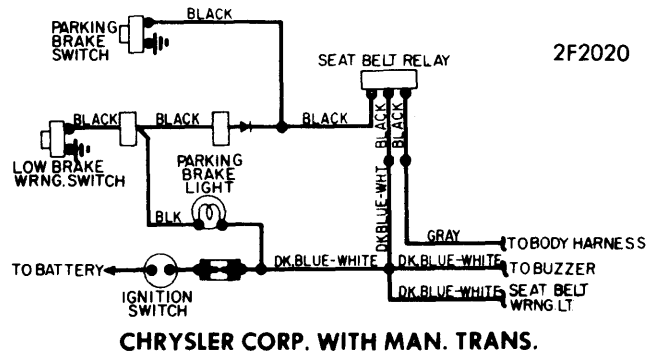
**AMERICAN MOTORS FLOOR SHIFT TYPE**



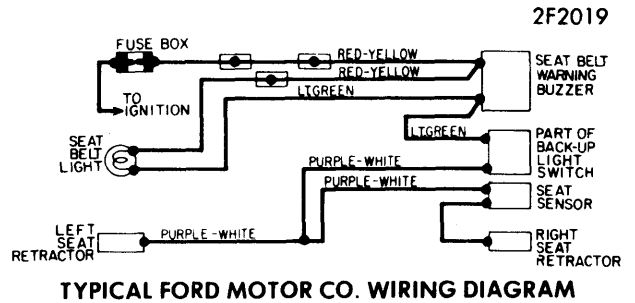
**CHRYSLER CORP. WITH AUTO. TRANS.**



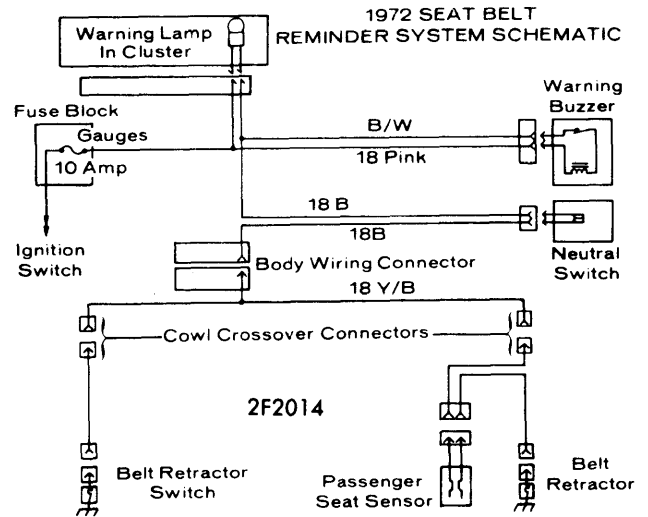
**CALIF. CHRYSLER IMPERIAL WIRING DIAGRAM**



**CHRYSLER CORP. WITH MAN. TRANS.**



**TYPICAL FORD MOTOR CO. WIRING DIAGRAM**



**TYPICAL G.M. WIRING DIAGRAM**