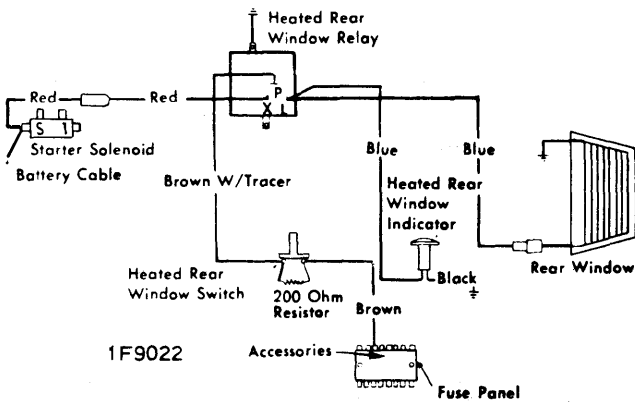
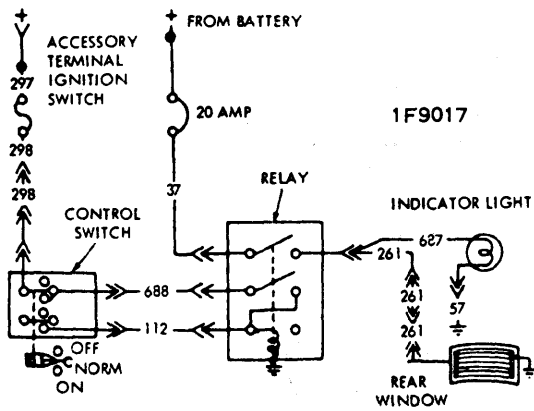


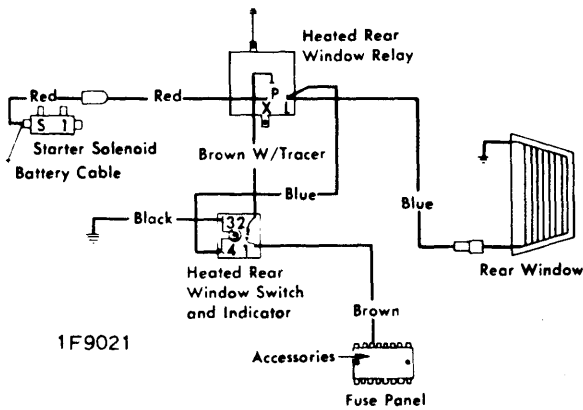
3-108 1972 Electric Window Defoggers



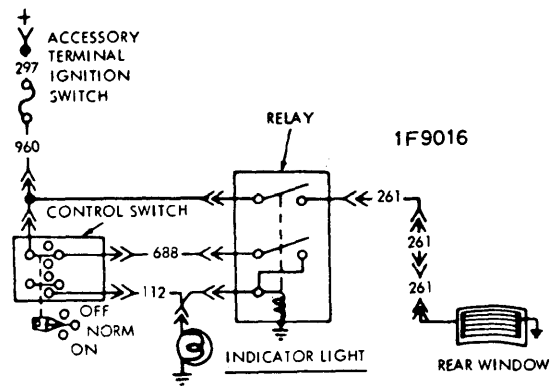
AMERICAN MOTORS (JAVELIN) WIRING DIAGRAM



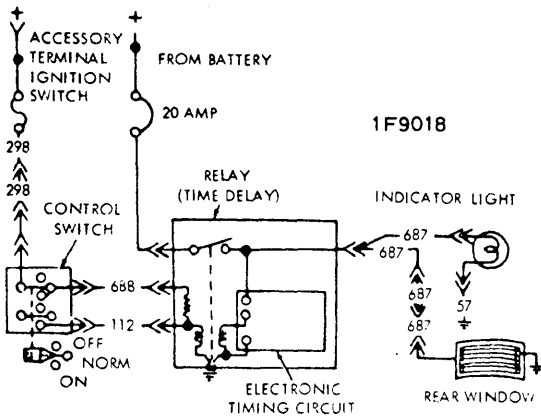
LATCHING RELAY CIRCUIT - EXCEPT LINCOLN



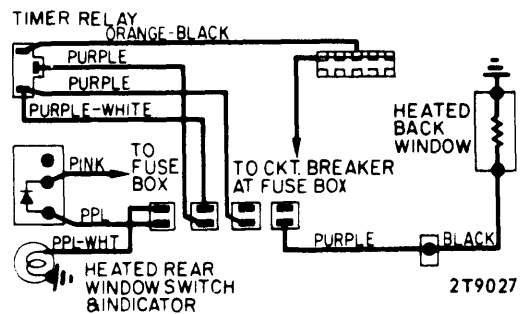
AMERICAN MOTORS (MATADOR, AMBASSADOR) WIRING DIAGRAM



LATCHING RELAY CIRCUIT - LINCOLN ONLY



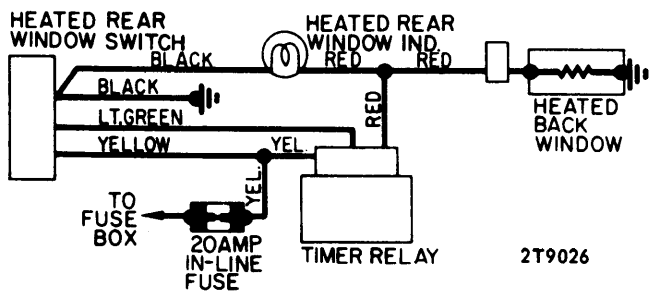
TIME DELAY RELAY - FORD MOTOR CO.



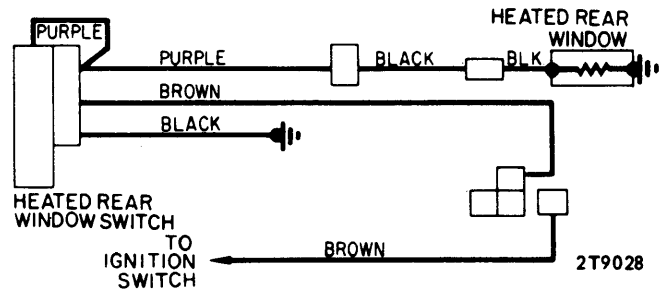
BUICK HEATED REAR WINDOW

1972 Electric Window Defoggers

3-109



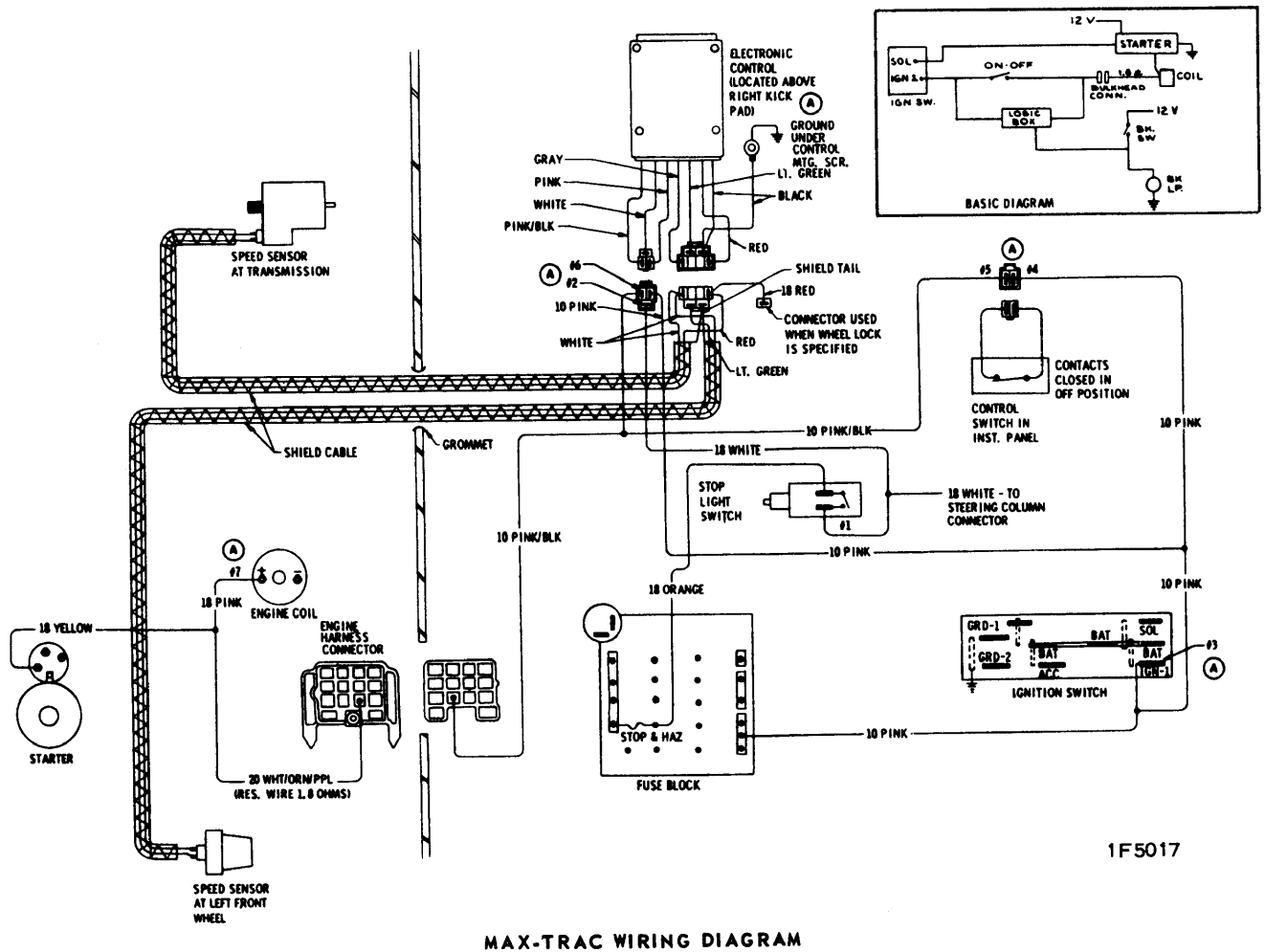
CADILLAC HEATED REAR WINDOW



PONTIAC HEATED REAR WINDOW

1972 Electric Brake Systems

GENERAL MOTORS "MAX-TRAC" TRACTION CONTROL SYSTEM



MAX-TRAC WIRING DIAGRAM