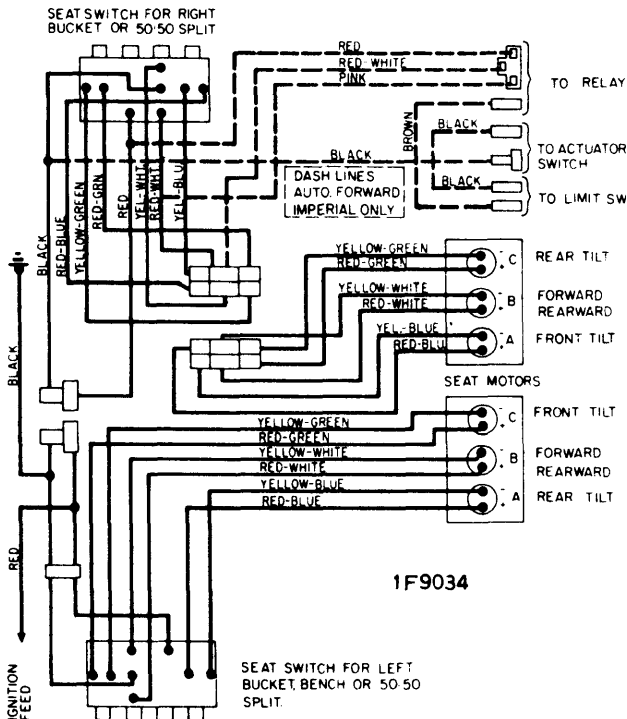
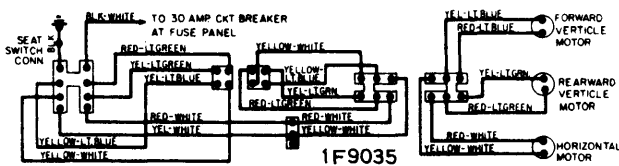


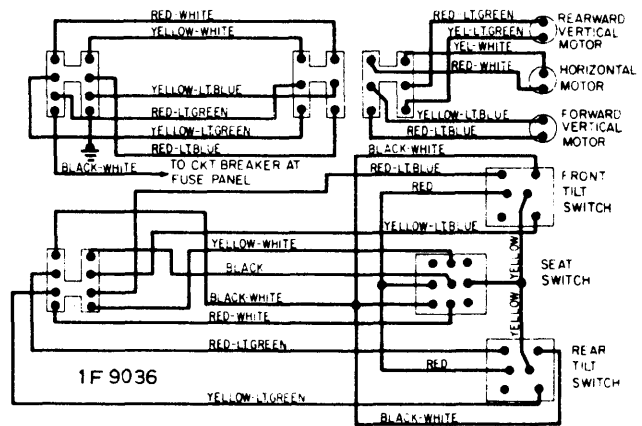
1972 Power Seat Controls



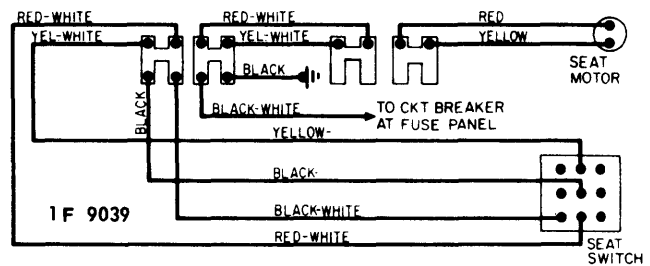
**CHRYSLER CORP.
POWER SEAT WIRING DIAGRAM**



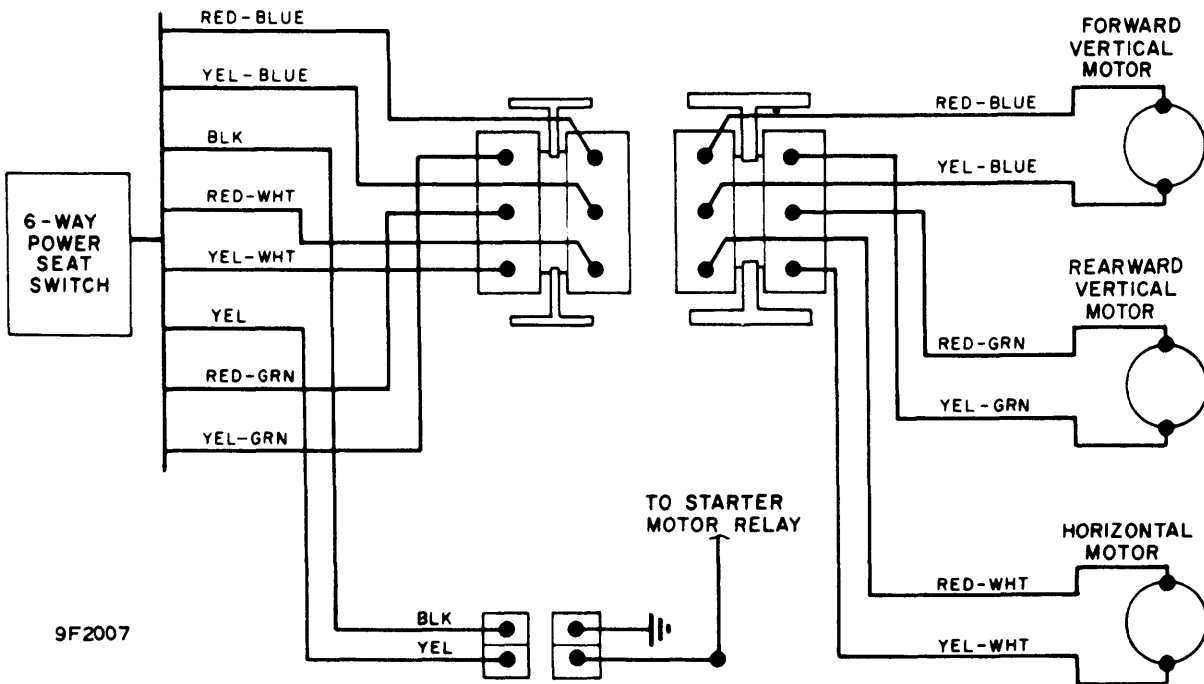
**6-WAY POWER SEAT WIRING
THUNDERBIRD & CONTINENTAL MARK IV**



**6-WAY POWER SEAT WIRING
LINCOLN CONTINENTAL**



COUGAR & CONTINENTAL 2-WAY POWER SEAT WIRING



FORD, METEOR & MERCURY 6-WAY WIRING DIAGRAM