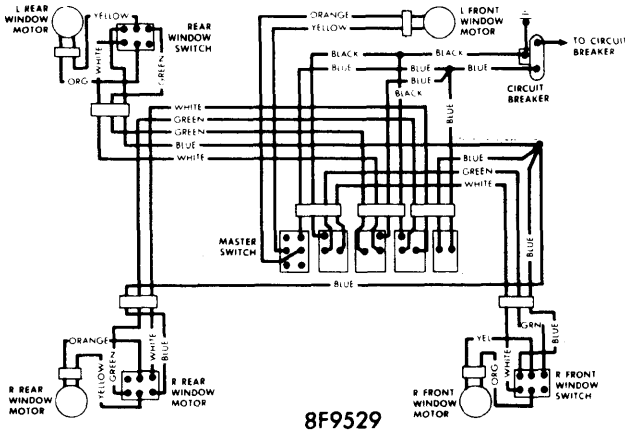


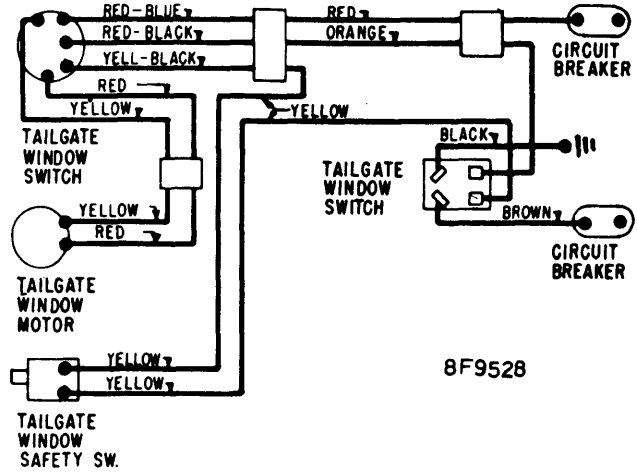
1972 Electric Window Controls

AMERICAN MOTORS



8F9529

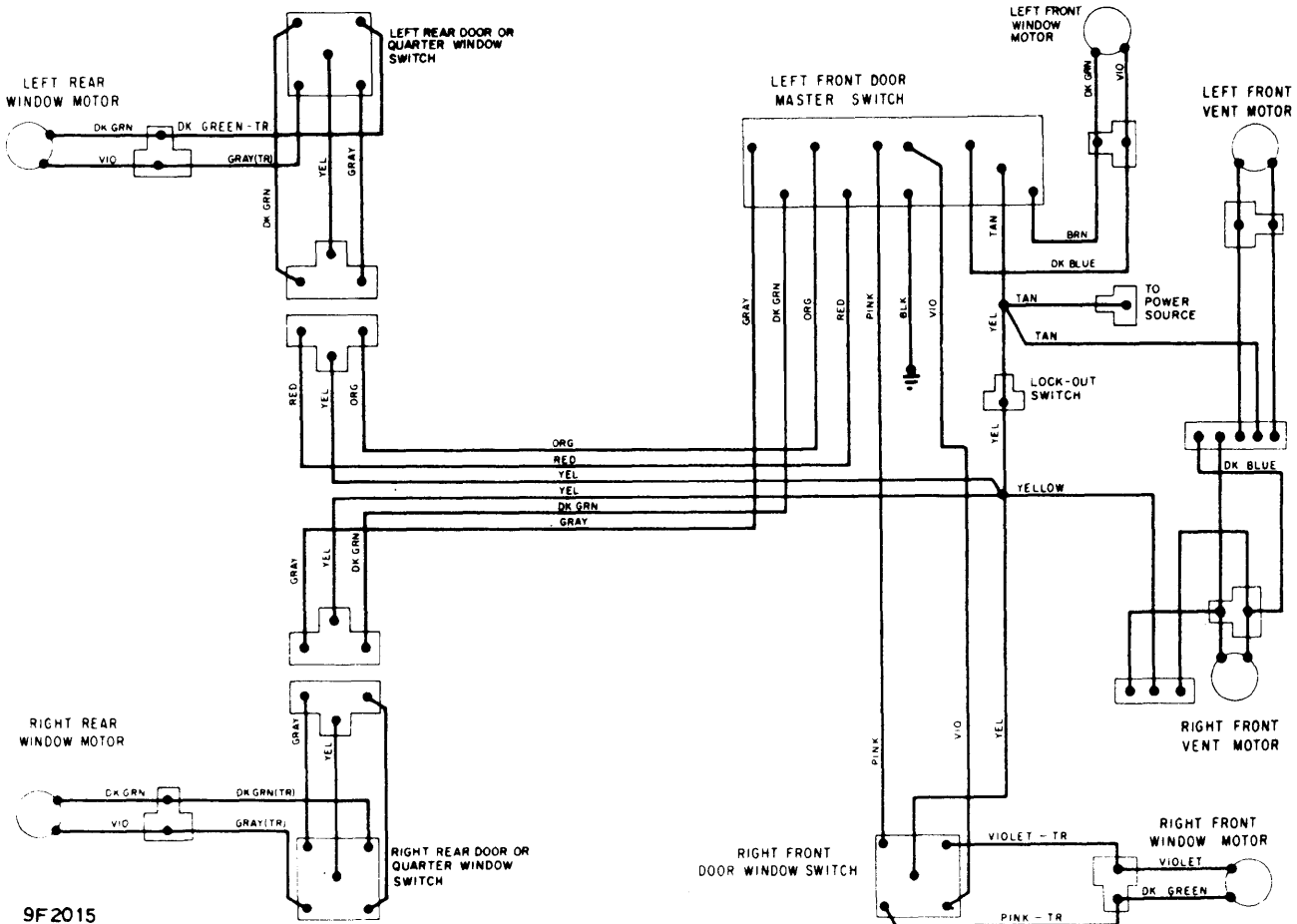
AMERICAN MOTORS POWER WINDOW WIRING



8F9528

AMERICAN MOTORS TAILGATE WINDOW CONTROL WIRING DIAGRAM

CHRYSLER CORP.

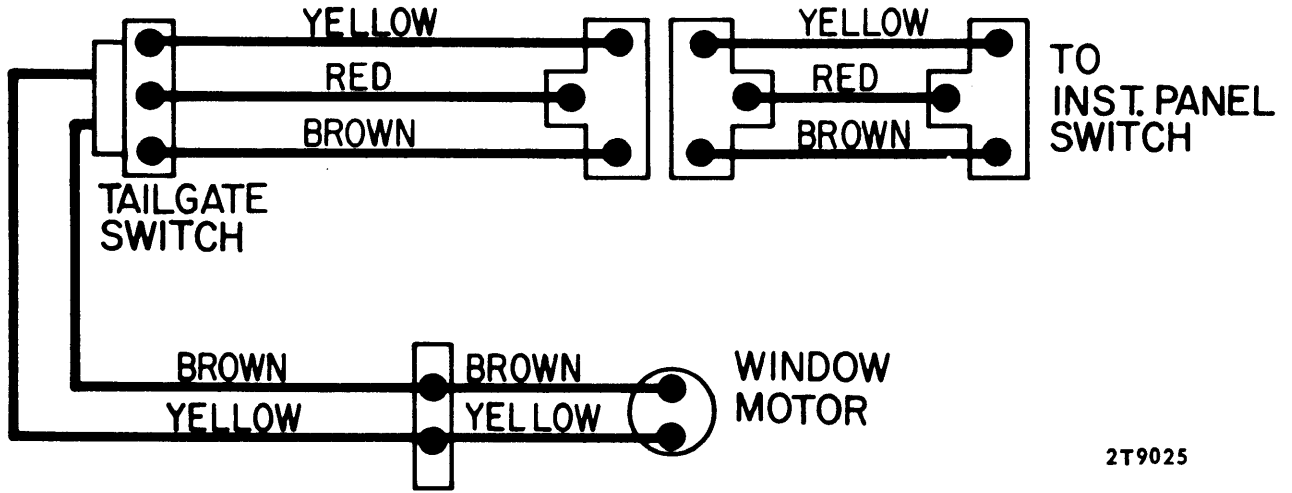


9F2015

TYPICAL CHRYSLER CORPORATION POWER WINDOW WIRING DIAGRAM (POWER VENTS ON CHRYSLER & IMPERIAL ONLY)

1972 Electric Window Controls

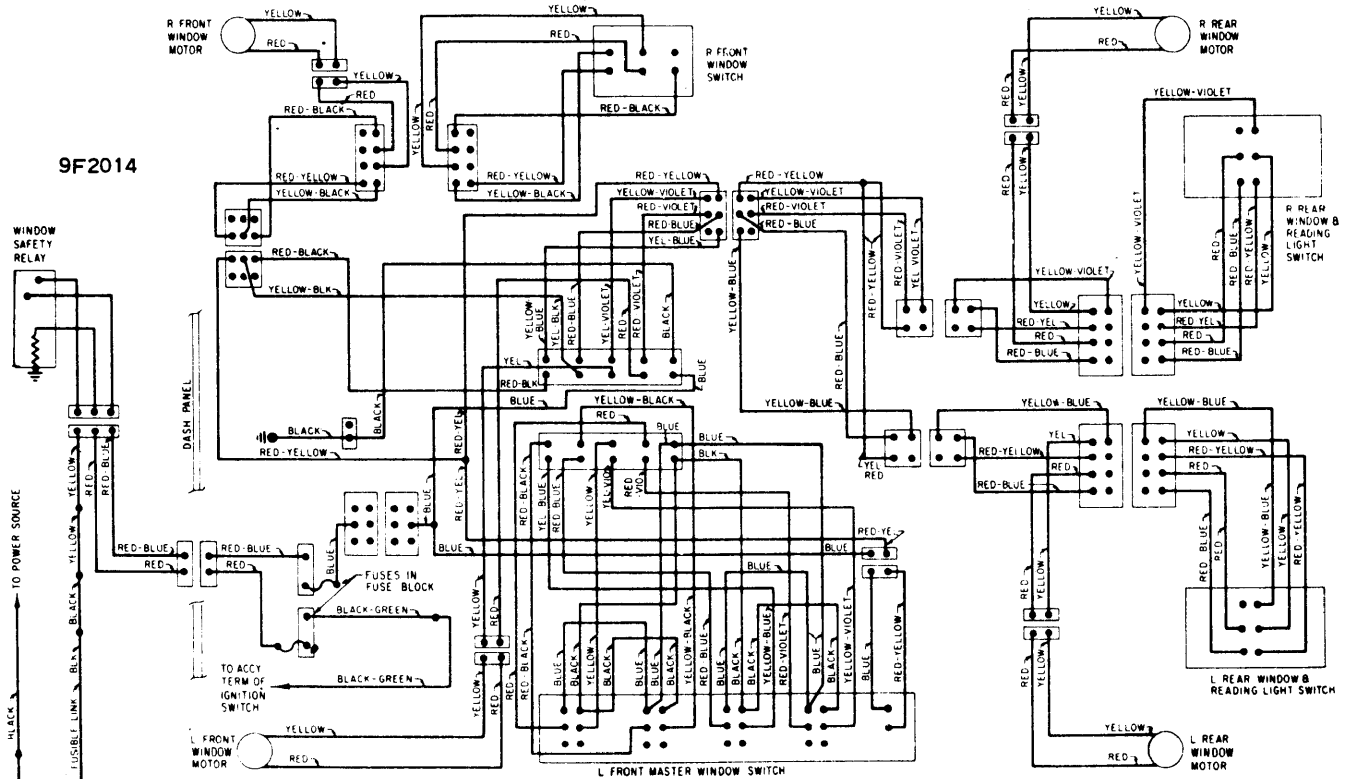
CHRYSLER CORP. (Cont.)



2T9025

TYPICAL CHRYSLER CORPORATION TAILGATE WIRING DIAGRAM

FORD MOTOR CO.



POWER WINDOW WIRING DIAGRAM - LINCOLN CONTINENTAL