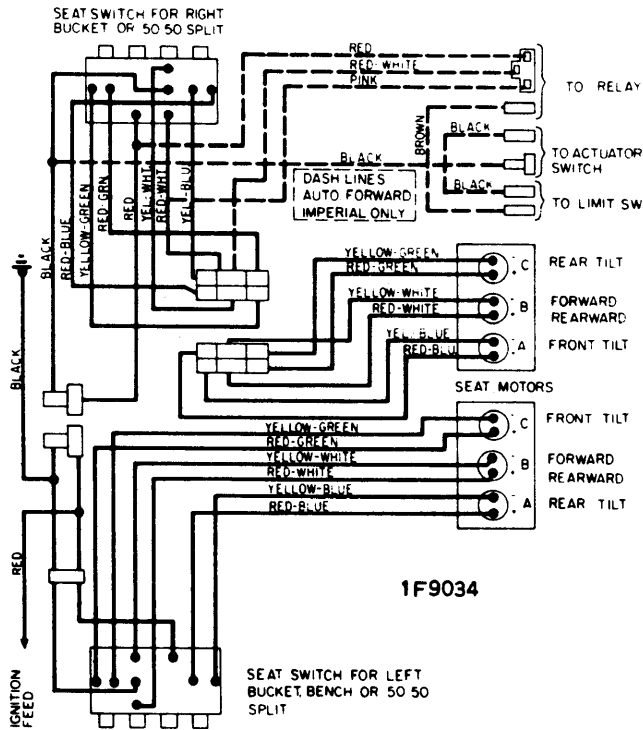
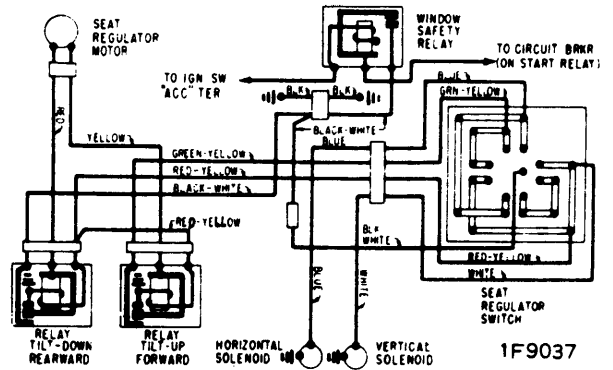


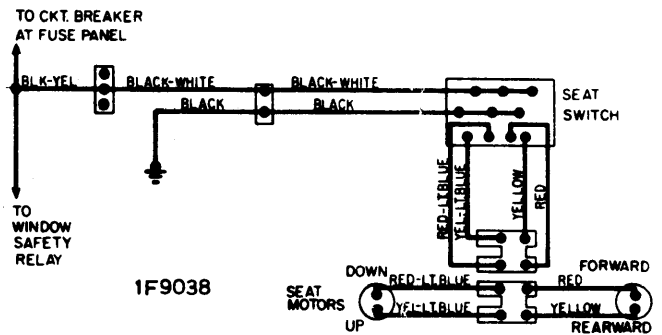
1971 Power Seat Controls



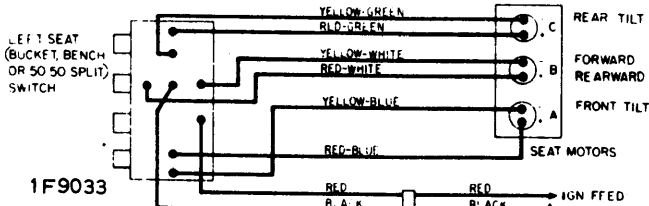
POWER SEAT WIRING DIAGRAM - IMPERIAL, CHRYSLER



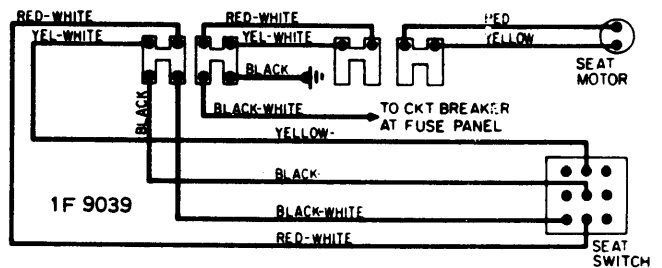
4-WAY POWER SEAT WIRING - MONTEGO & TORINO



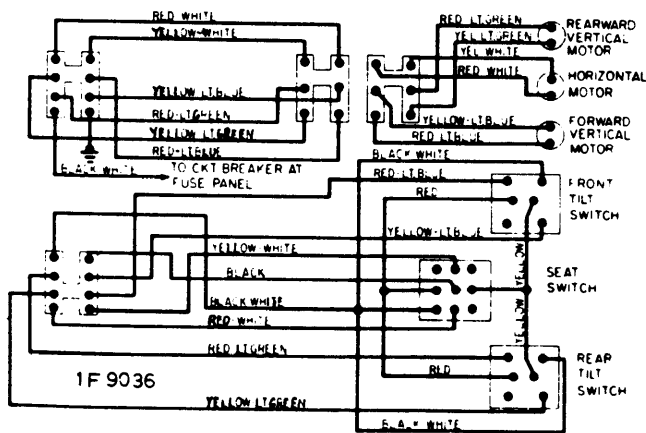
4-WAY POWER SEAT WIRING - COUGAR



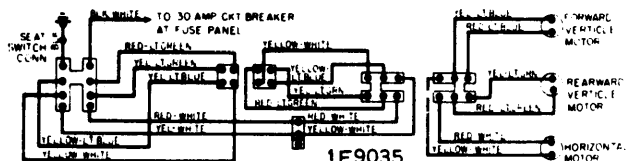
POWER SEAT WIRING DIAGRAM - FURY, POLARA, MONACO



2-WAY POWER SEAT WIRING CONTINENTAL MARK III, THUNDERBIRD & LINCOLN CONTINENTAL

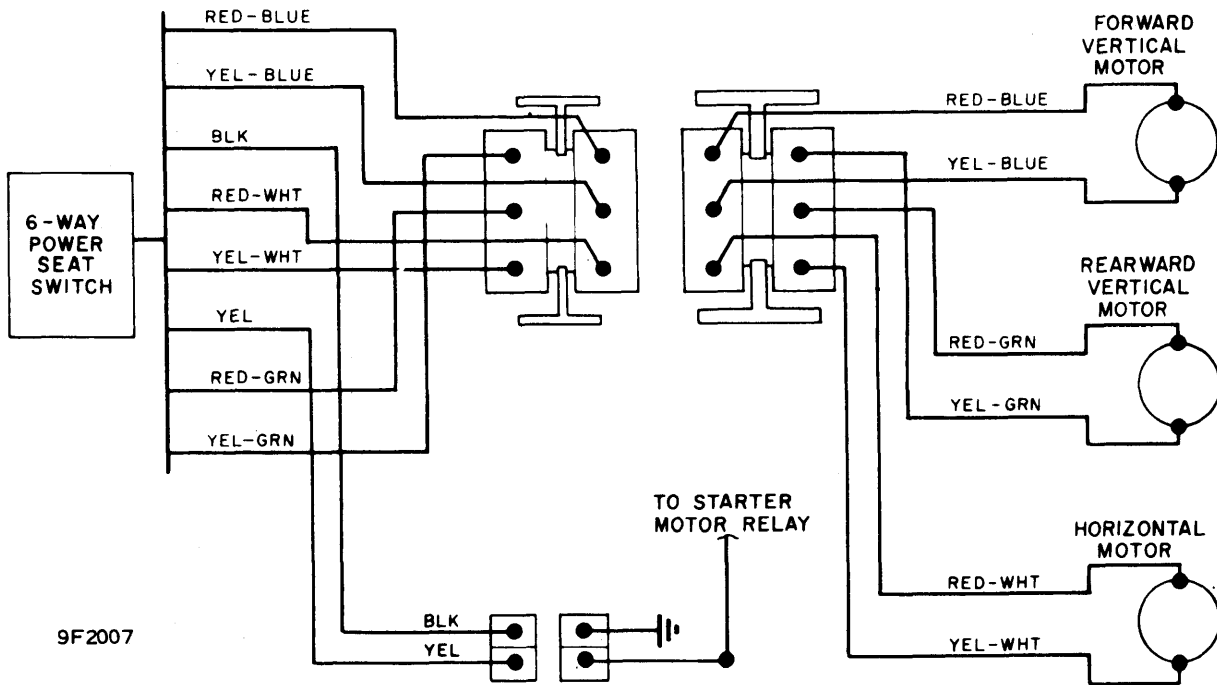


6-WAY POWER SEAT WIRING LINCOLN CONTINENTAL

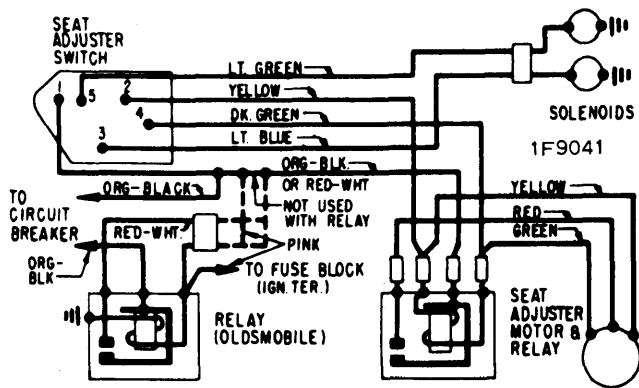


6-WAY POWER SEAT WIRING THUNDERBIRD & CONTINENTAL MARK III

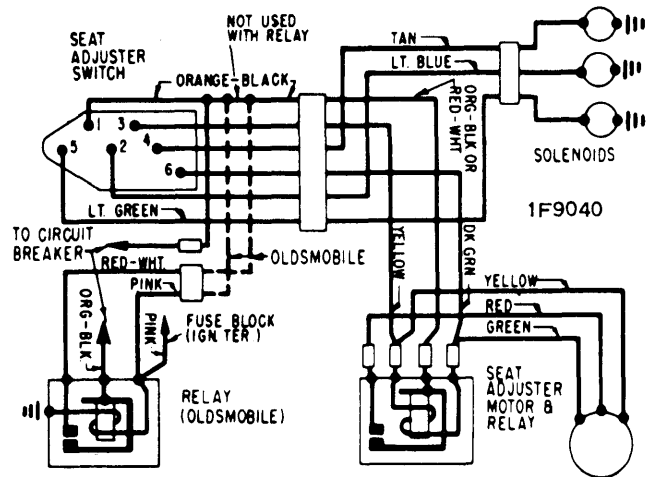
1971 Power Seat Controls



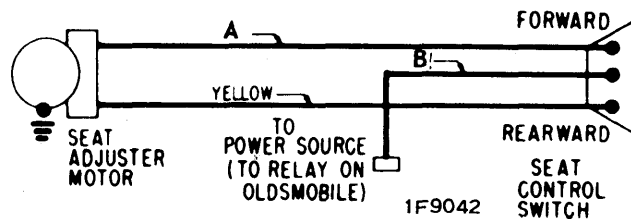
FORD, METEOR & MERCURY 6-WAY WIRING DIAGRAM



GENERAL MOTORS
4-WAY POWER SEAT WIRING DIAGRAM



GENERAL MOTORS
6-WAY POWER SEAT WIRING DIAGRAM



GENERAL MOTORS
2-WAY POWER SEAT DIAGRAM