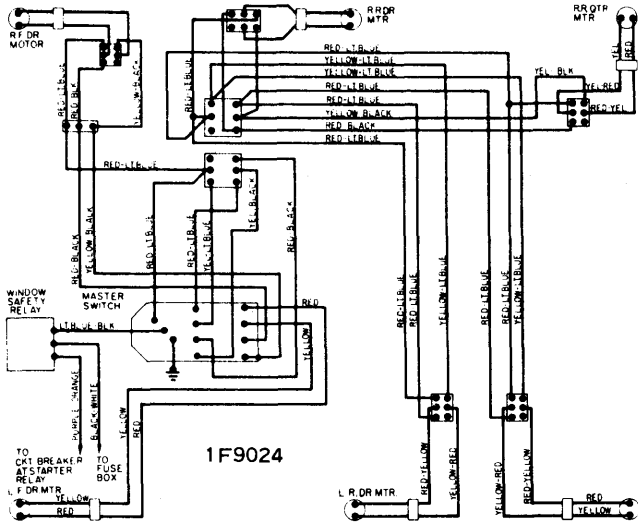
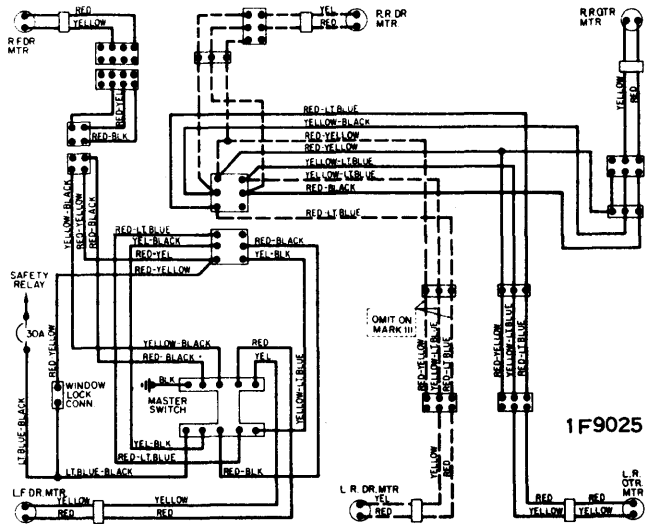


1971 Electric Window Controls

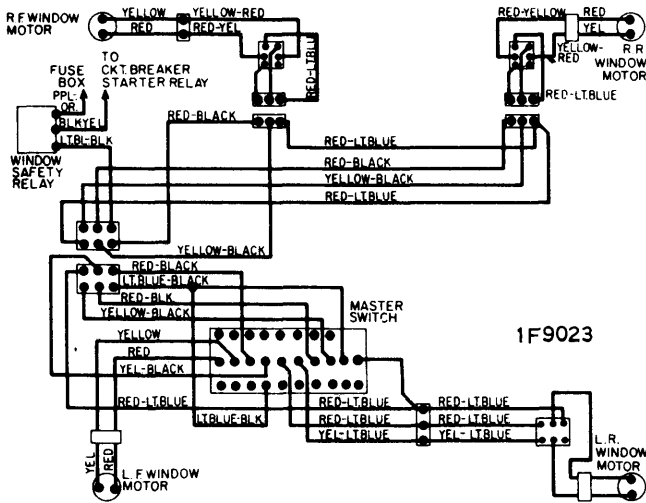
FORD MOTOR CO. (Continued)



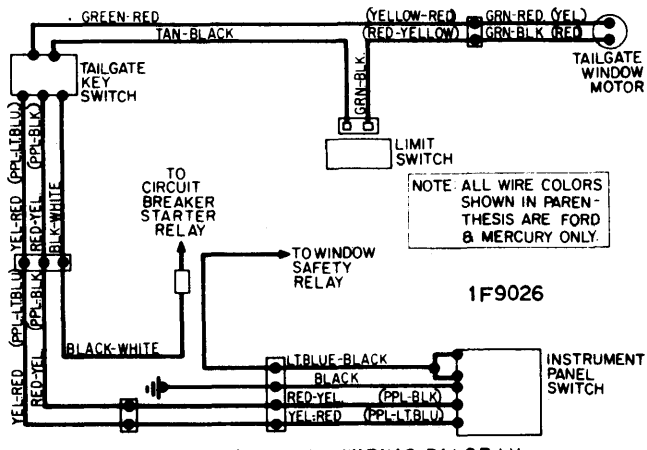
POWER WINDOW WIRING DIAGRAM - FORD & MERCURY



POWER WINDOW WIRING DIAGRAM
MARK III & THUNDERBIRD



POWER WINDOW WIRING DIAGRAM - MUSTANG & COUGAR



TAILGATE WINDOW WIRING DIAGRAM
FORD, MERCURY, TORINO & MONTEGO

GENERAL MOTORS

| Body Type | GM Division | Car Name |
|------------|-------------|--|
| "A" Body | Buick | Skylark & Custom, GS |
| | Chevrolet | Chevelle Nomad & 300, Chevelle Malibu, Concours Estate, Monte Carlo. |
| | Oldsmobile | F-85, Cutlass & Supreme, 442, Vista Cruiser. |
| | Pontiac | All Tempest, Grand Prix. |
| | "B" Body | Buick |
| Chevrolet | | Biscayne, Bel Air, Impala, Caprice. |
| Oldsmobile | | All Delta 88 Models. |
| Pontiac | | Catalina, Brougham, Bonneville, Grandville. |

| | | |
|----------|------------|--------------------------------------|
| "C" Body | Buick | Electra. |
| | Cadillac | Fleetwood Brougham, Calais, DeVille. |
| | Oldsmobile | All 98 Models. |
| "D" Body | Cadillac | Fleetwood 75. |
| "E" Body | Buick | Riviera. |
| | Cadillac | Eldorado. |
| | Oldsmobile | Toronado. |
| "F" Body | Chevrolet | Camaro |
| | Pontiac | Firebird |

