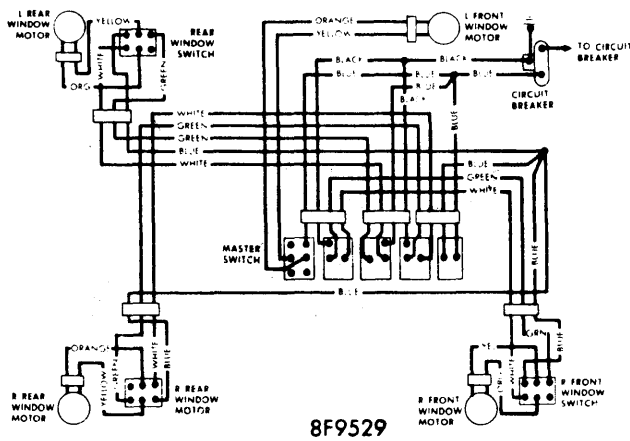
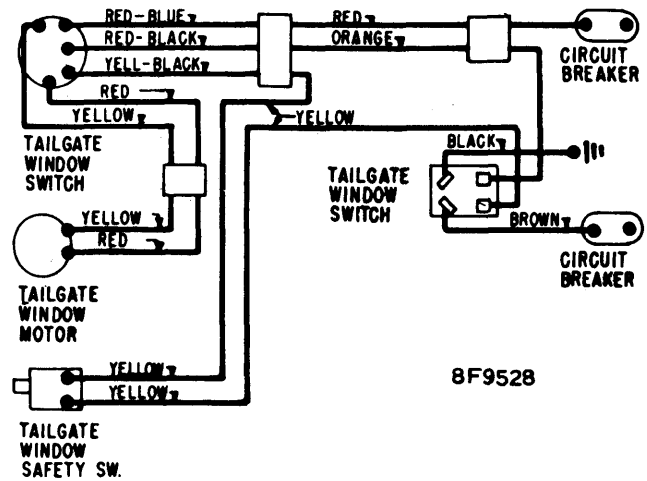


1971 Electric Window Controls

AMERICAN MOTORS

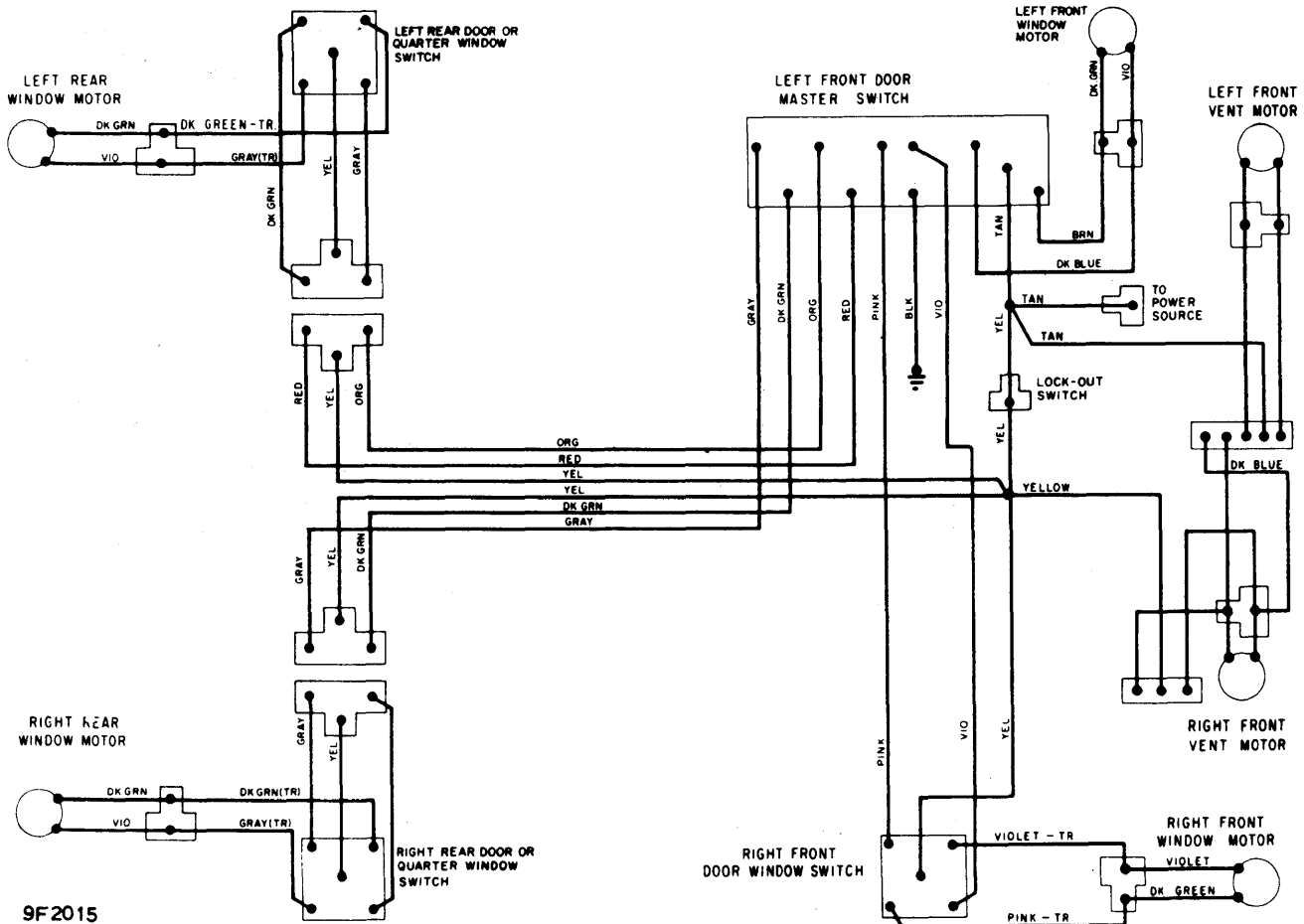


AMERICAN MOTORS POWER WINDOW WIRING DIAGRAM



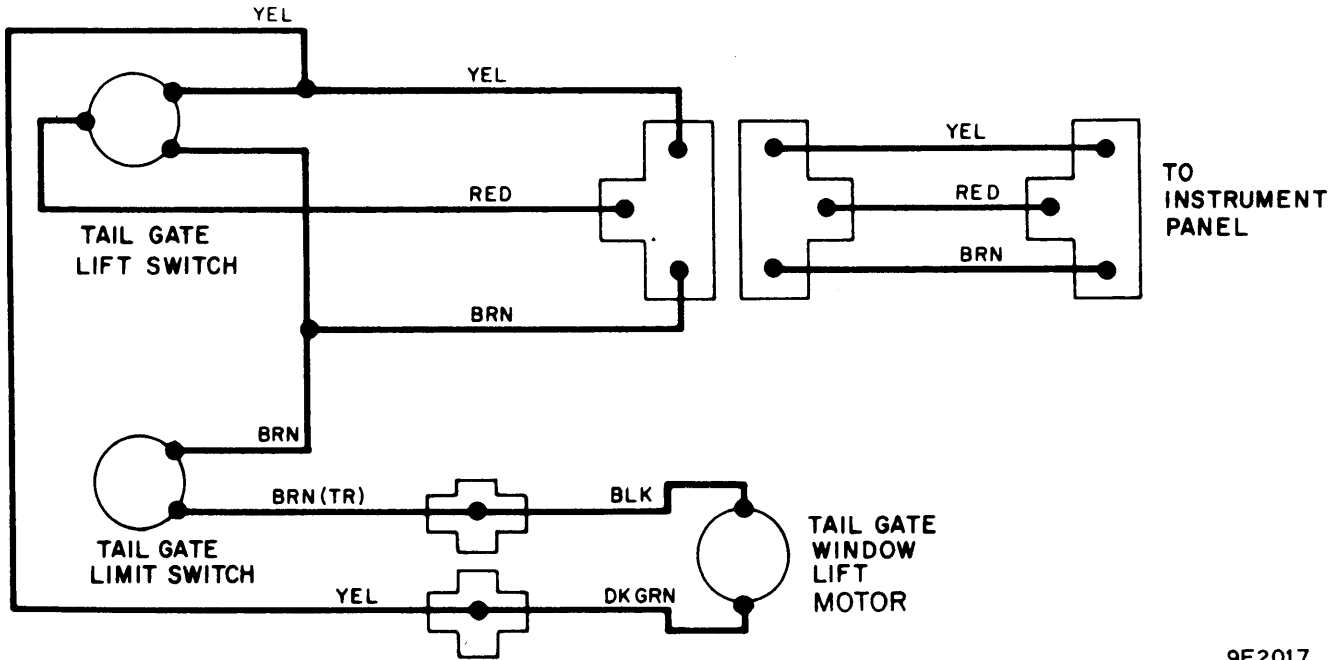
AMERICAN MOTORS TAILGATE WINDOW CONTROL WIRING DIAGRAM

CHRYSLER CORP.



TYPICAL CHRYSLER CORPORATION POWER WINDOW WIRING DIAGRAM (POWER VENTS ON CHRYSLER & IMPERIAL ONLY)

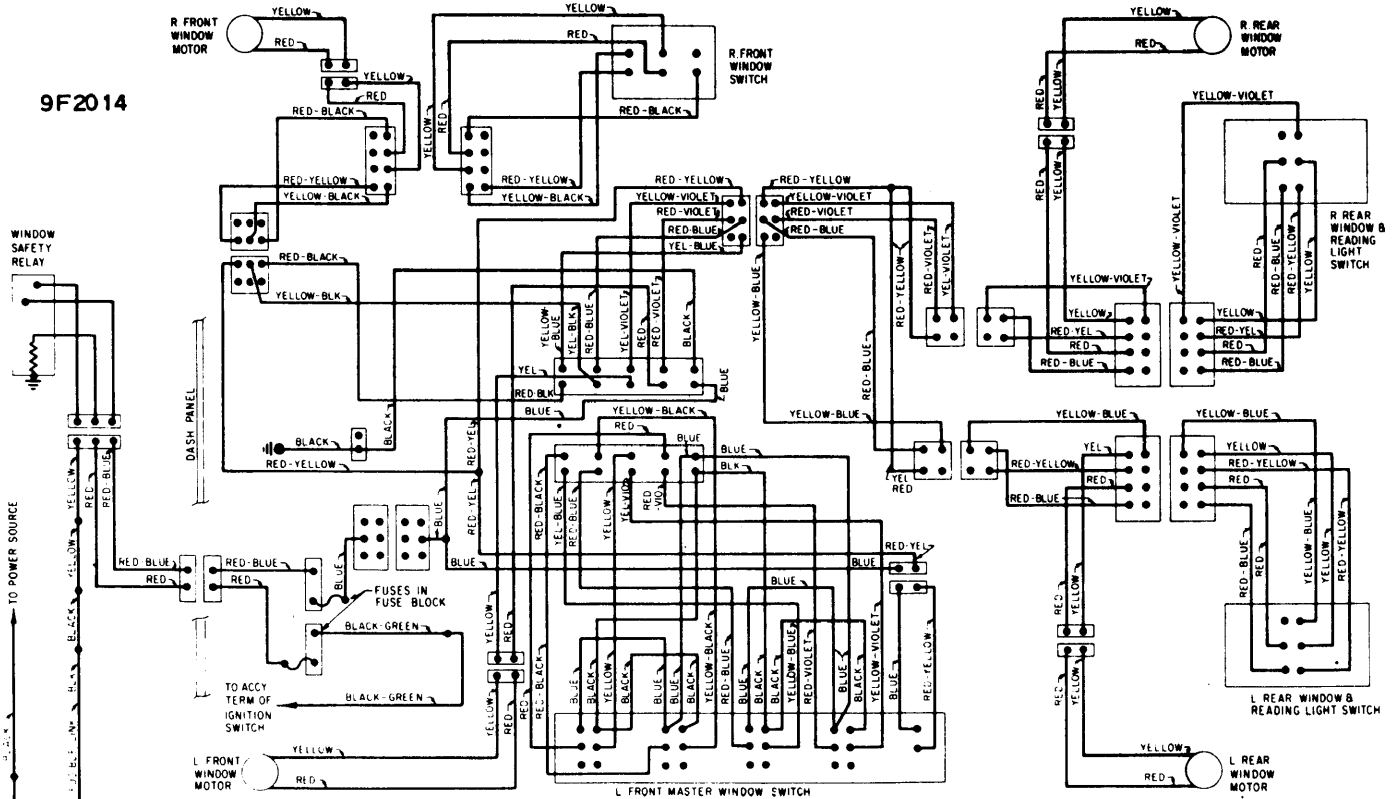
CHRYSLER CORP. (Continued)



TYPICAL CHRYSLER CORPORATION TAILGATE WIRING DIAGRAM

9F2017

FORD MOTOR CO.



9F2014

POWER WINDOW WIRING DIAGRAM - LINCOLN CONTINENTAL