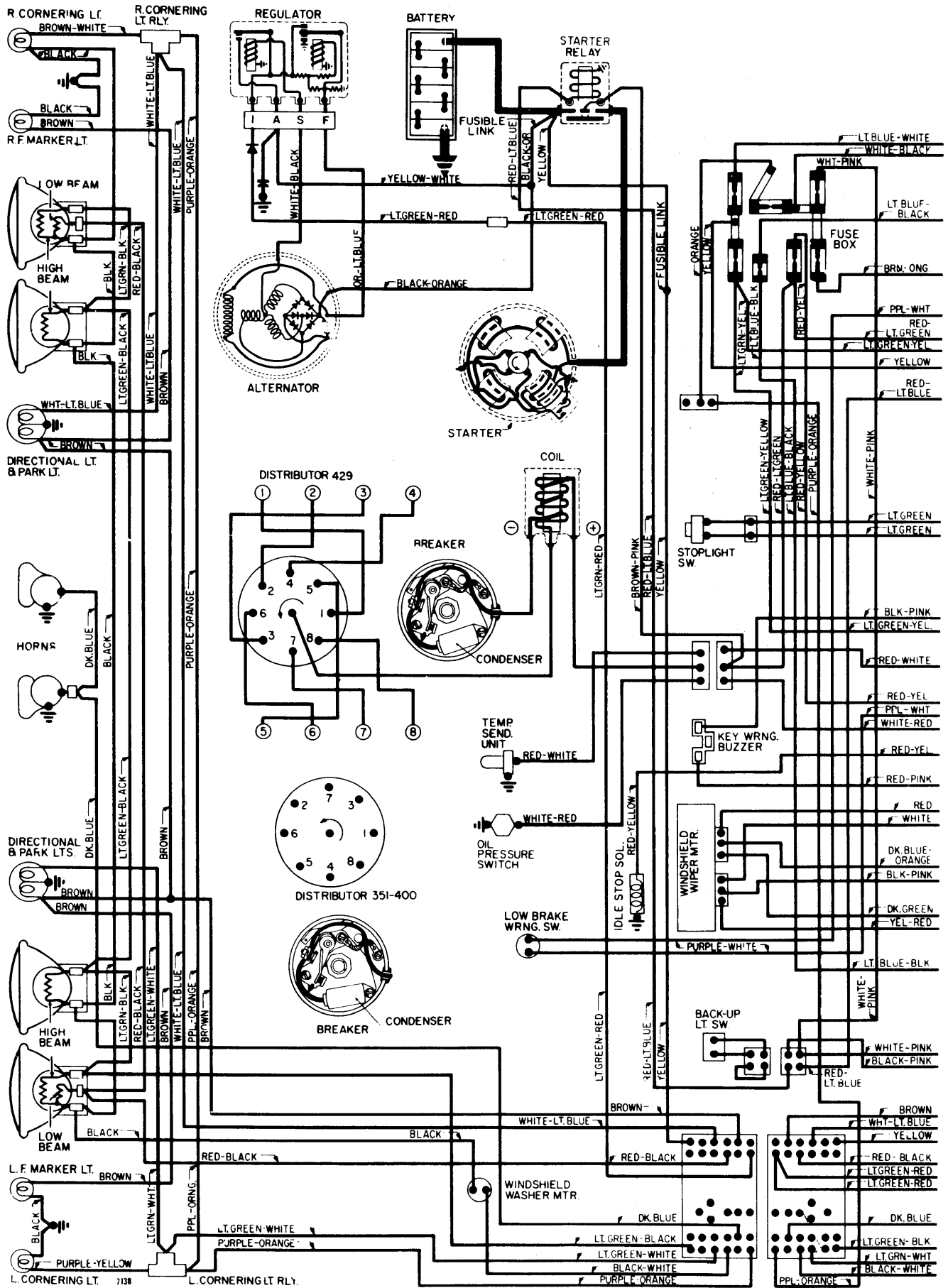


1971 Mercury

See Ford Thunderbird diagram for Starter & Solenoid used on 429" V8.



1971 Mercury

Monterey, Marquis
Brougham

2-67

