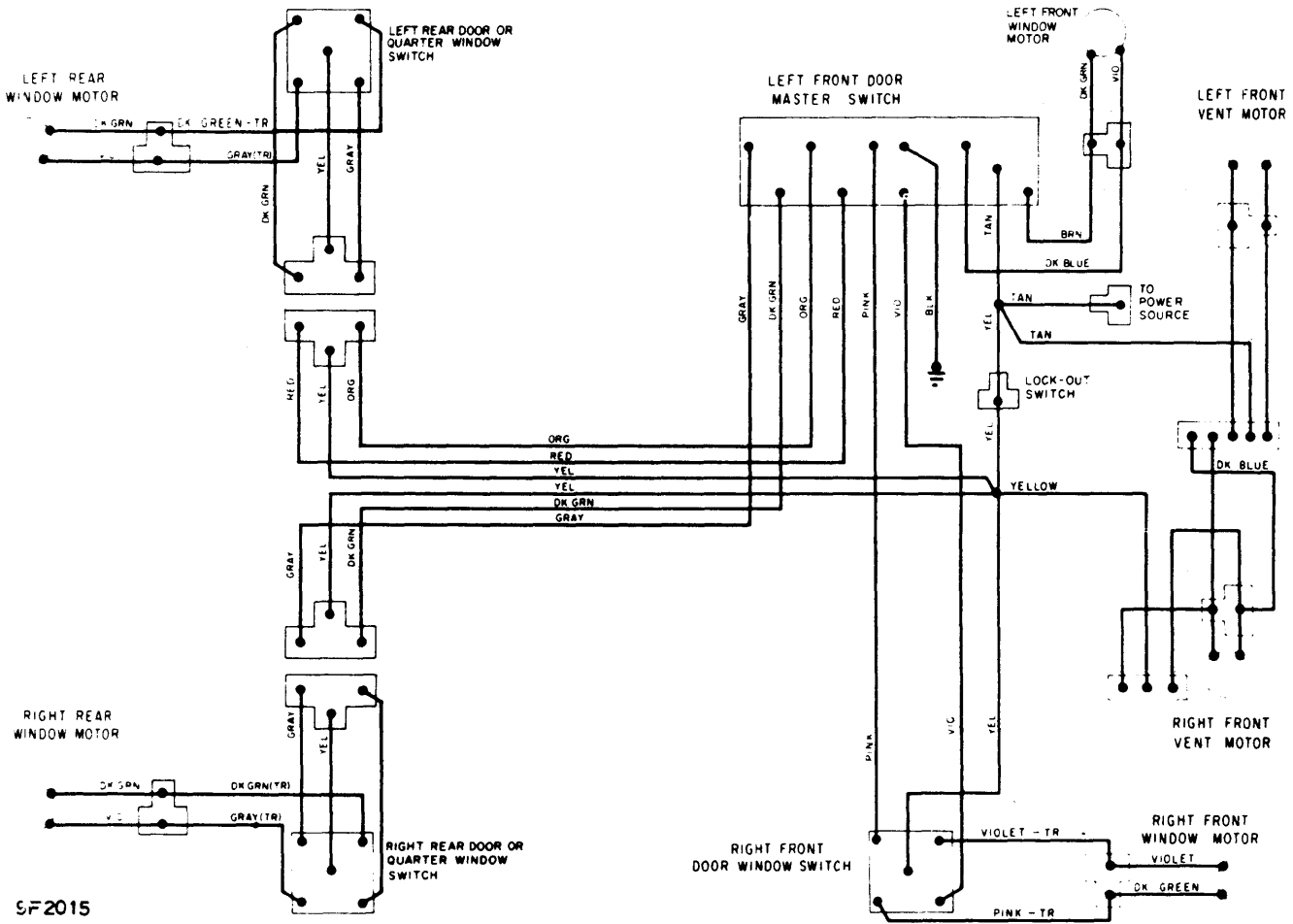


1970 Electric Window Controls

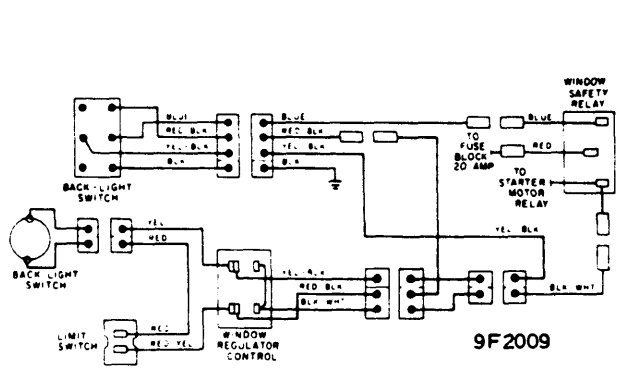
CHRYSLER CORP. (Continued)



SF2015

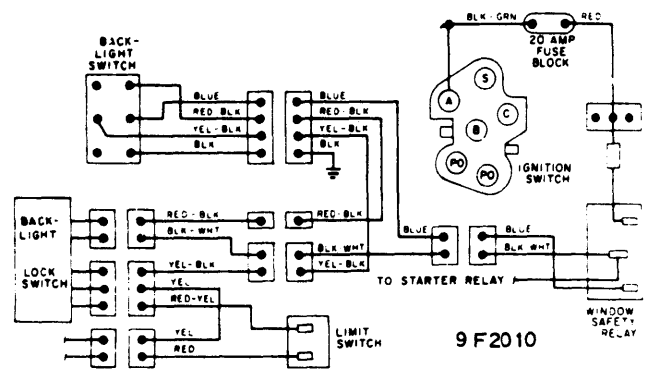
TYPICAL CHRYSLER CORPORATION POWER WINDOW WIRING DIAGRAM (POWER VENTS ON CHRYSLER & IMPERIAL ONLY)

FORD MOTOR CO.



9F2009

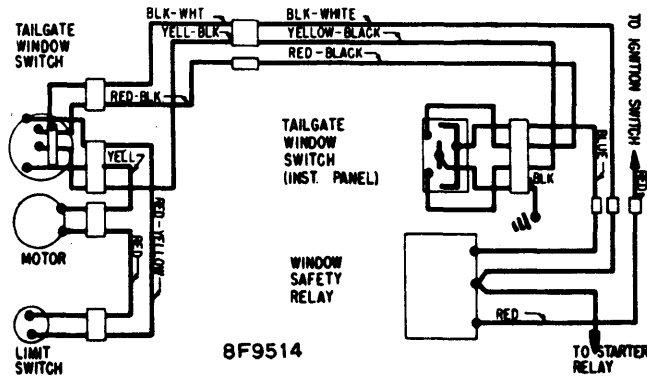
FALCON, FAIRLANE & MONTEGO SINGLE ACTION TAILGATE WIRING



9F2010

FALCON, FAIRLANE & MONTEGO DUAL ACTION TAILGATE WIRING

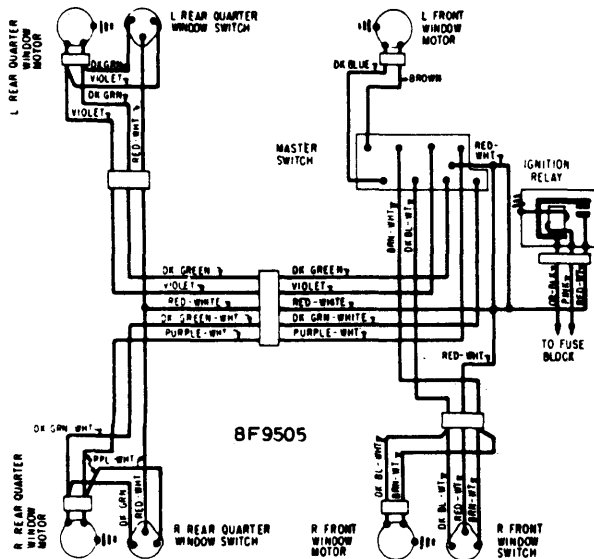
FORD MOTOR CO. (Continued)



8F9514

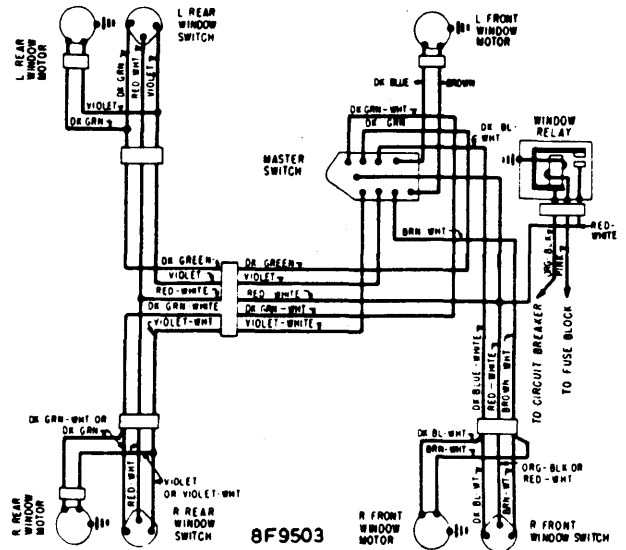
TYPICAL TAILGATE WIRING DIAGRAM

GENERAL MOTORS



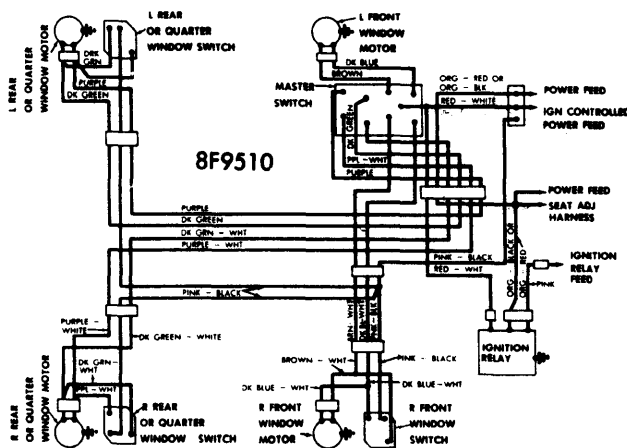
8F9505

BUICK RIVIERA POWER WINDOW WIRING



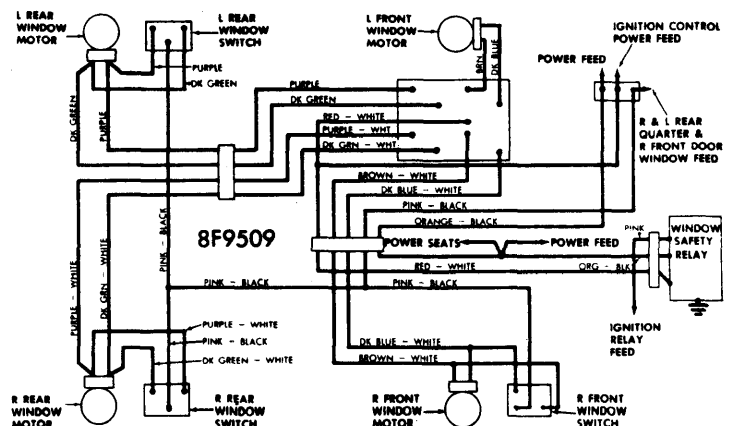
8F9503

BUICK LESABRE, WILDCAT, SPECIAL, SKYLARK;
CHEVROLET, CHEVELLE; OLDSMOBILE F-85 & 88;
PONTIAC & PONTIAC TEMPEST POWER WINDOW WIRING



8F9510

1968-69 CADILLAC (EXC. ELDORADO)



8F9509

1968-69 CADILLAC ELDORADO