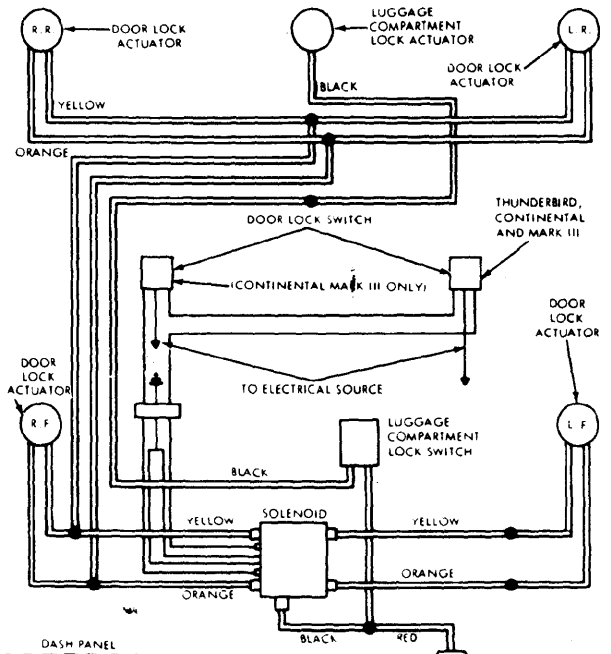
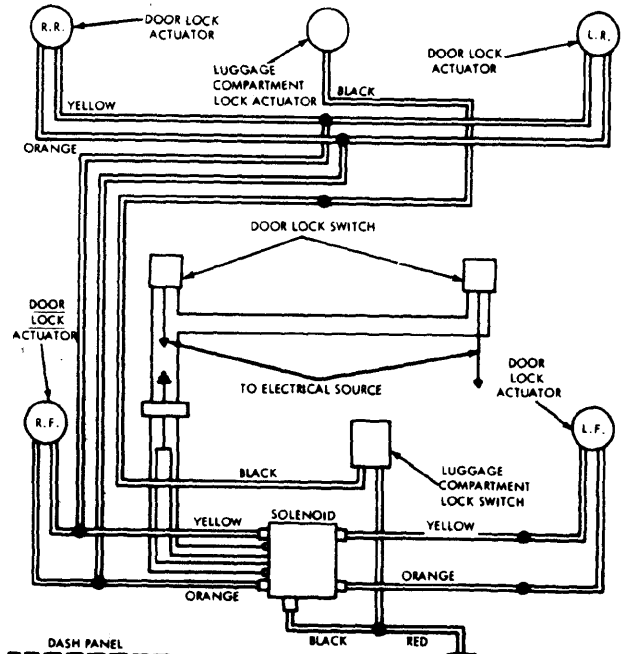


# 1970 Electric Door Locks



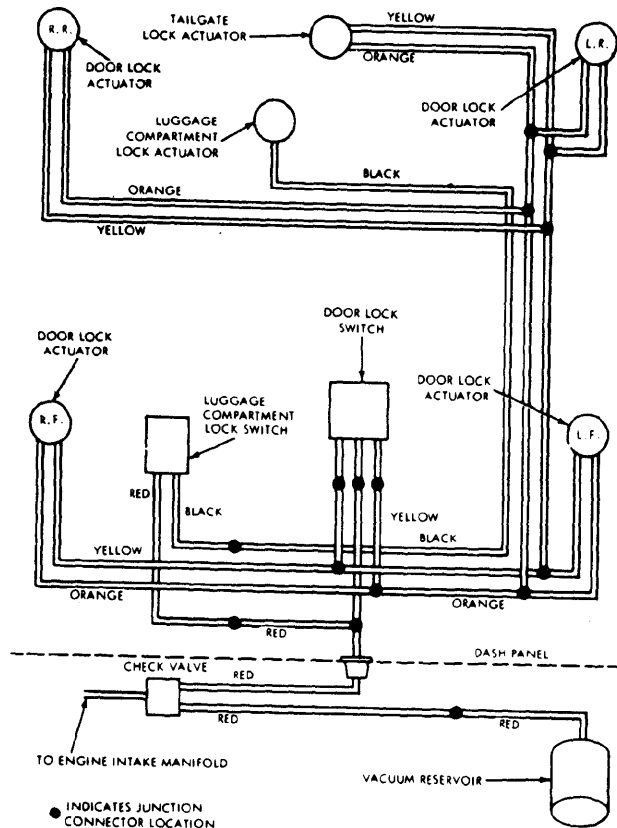
OF9032

**VACUUM DOOR LOCK SCHEMATIC  
(CONTINENTAL MARK III & THUNDERBIRD)**



OF9031

**VACUUM DOOR LOCK SCHEMATIC  
(LINCOLN CONTINENTAL)**



**VACUUM DOOR LOCK SCHEMATIC  
(FORD, MERCURY & METEOR)**