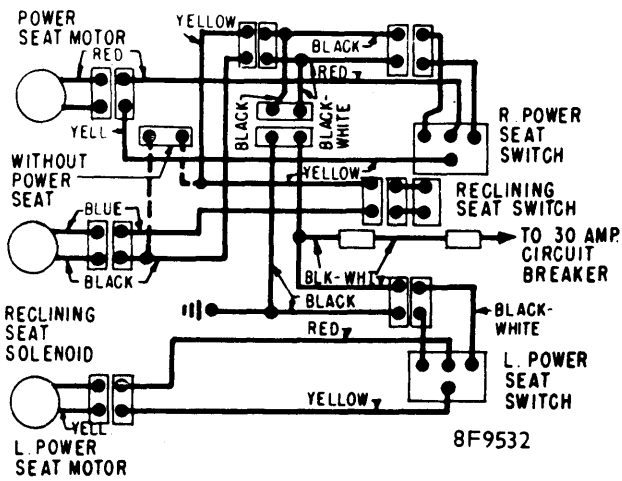
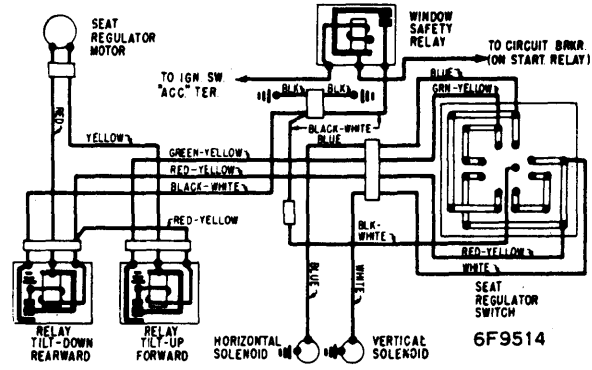


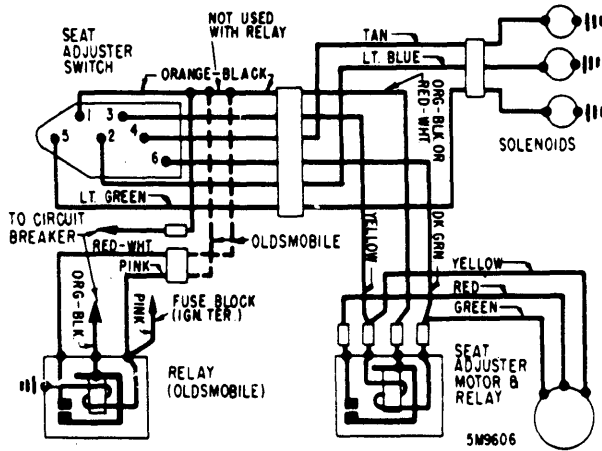
1970 Power Seat Controls



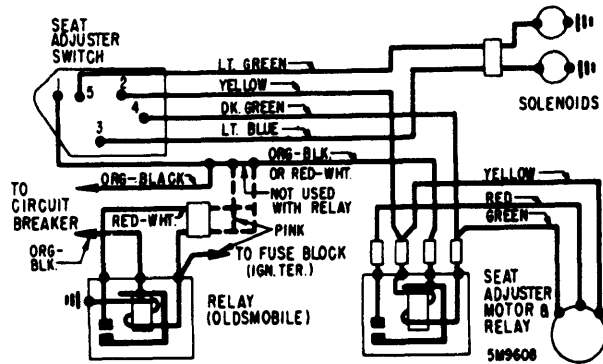
2-WAY SEAT WIRING DIAGRAM



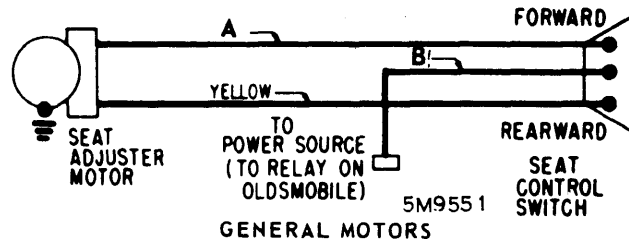
MONTEGO 4-WAY WIRING DIAGRAM



GENERAL MOTORS
6-WAY SEAT WIRING DIAGRAM



GENERAL MOTORS
4-WAY SEAT WIRING DIAGRAM
(SWITCH IN SEAT SIDE PANEL)



GENERAL MOTORS
2-WAY SEAT ADJUSTER WIRING DIAGRAM