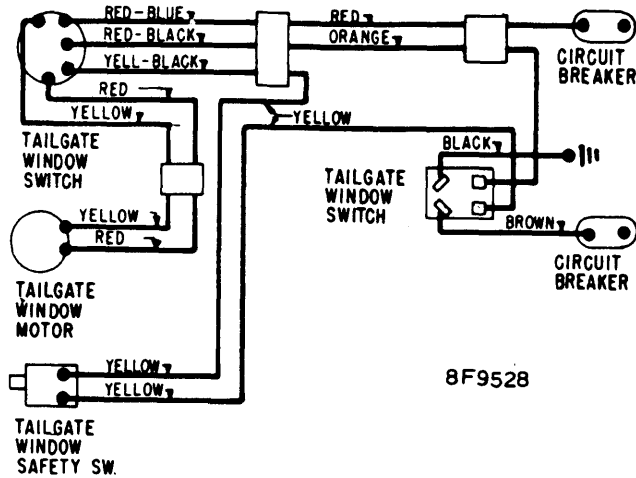
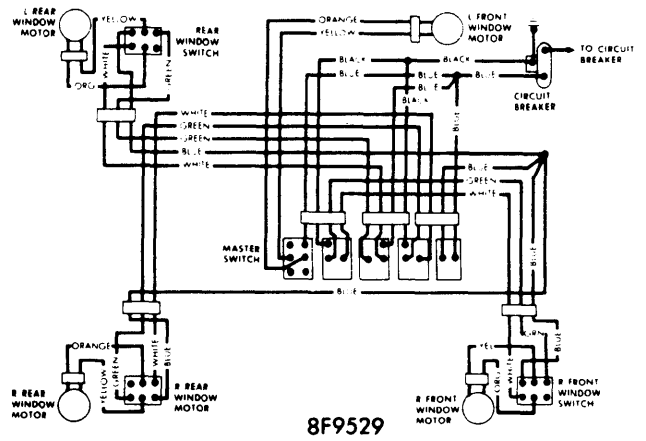


AMERICAN MOTORS

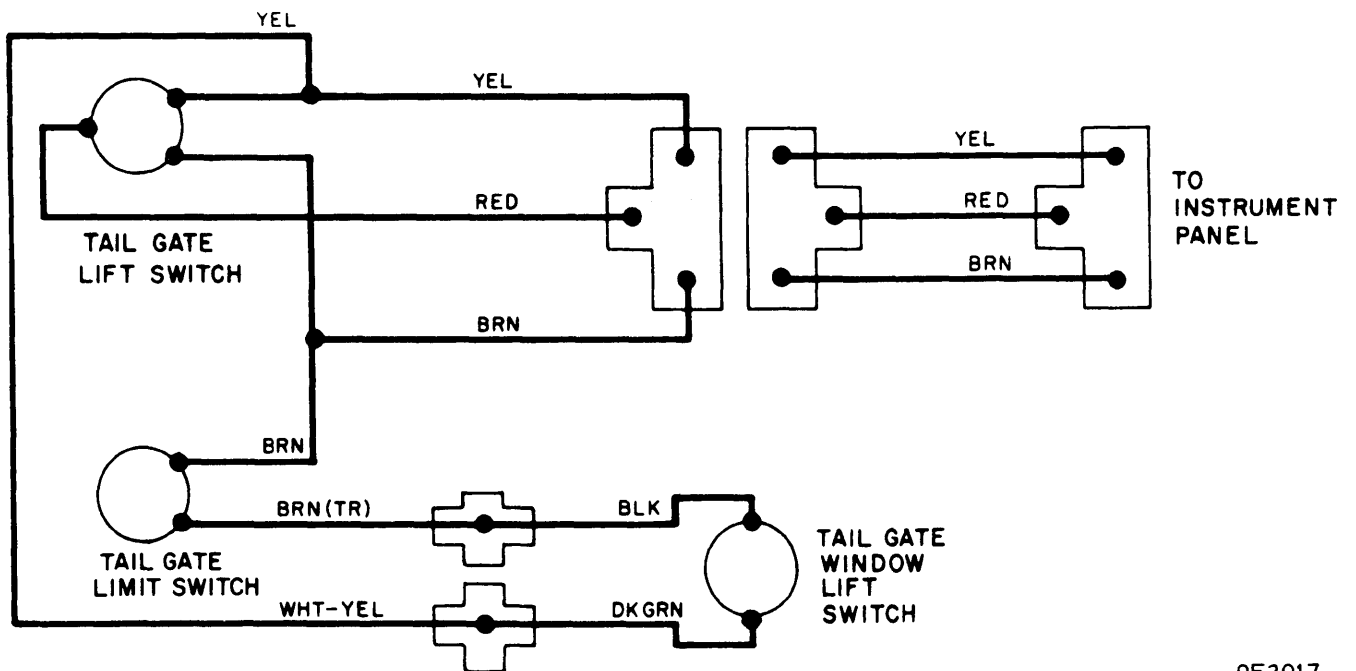


8F9528
AMERICAN MOTORS TAILGATE WINDOW CONTROL WIRING DIAGRAM



8F9529
AMERICAN MOTORS POWER WINDOW WIRING

CHRYSLER CORP.



9F2017
TYPICAL CHRYSLER CORPORATION TAILGATE WIRING DIAGRAM

