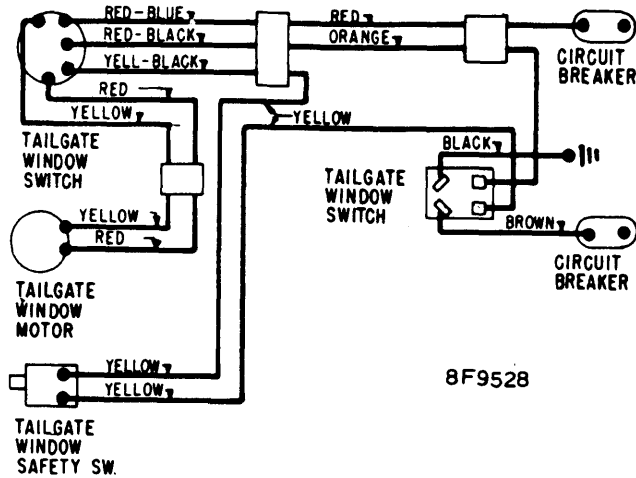
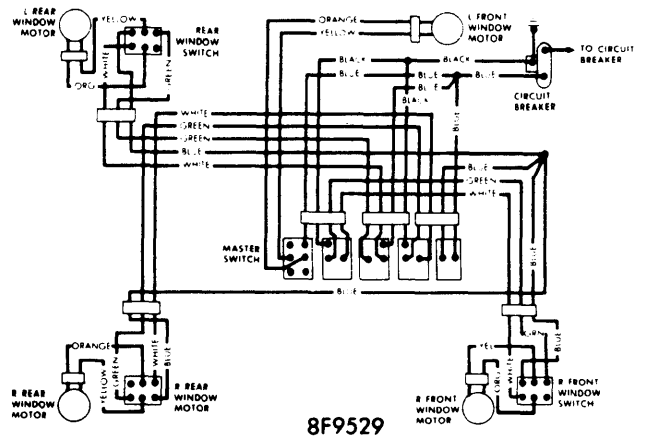


## AMERICAN MOTORS

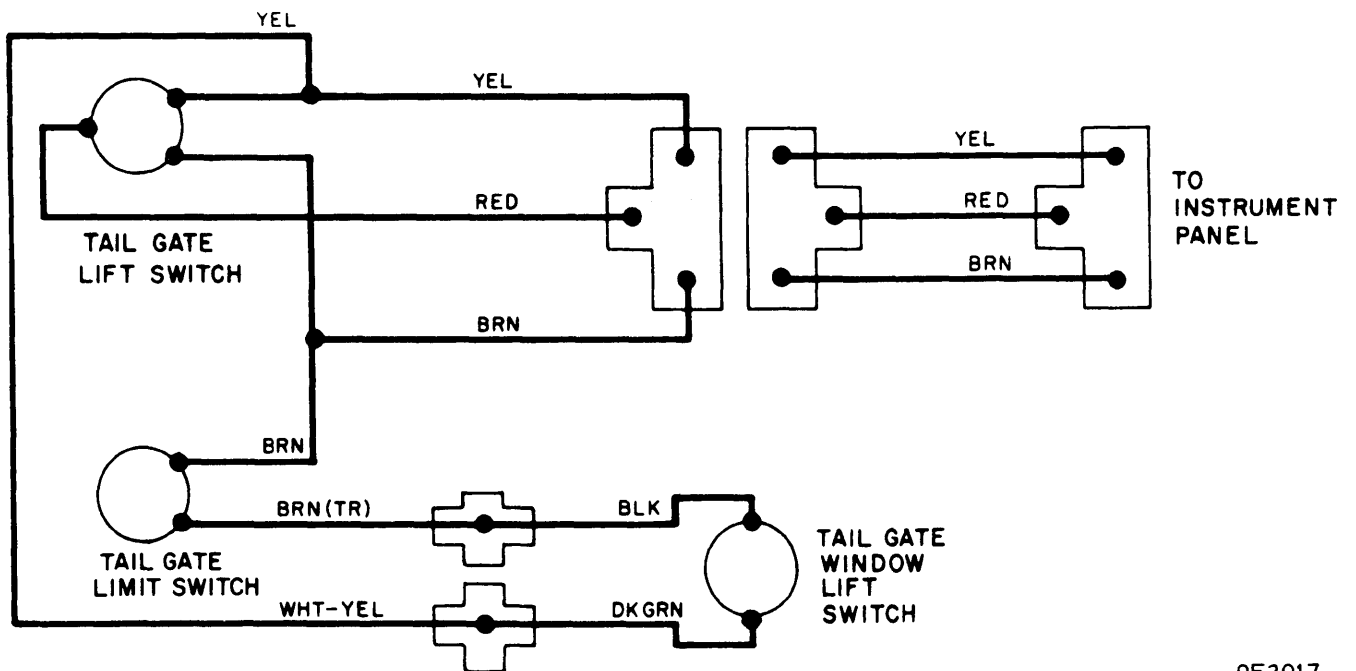


8F9528  
AMERICAN MOTORS TAILGATE WINDOW CONTROL WIRING DIAGRAM



8F9529  
AMERICAN MOTORS POWER WINDOW WIRING

## CHRYSLER CORP.



9F2017  
TYPICAL CHRYSLER CORPORATION TAILGATE WIRING DIAGRAM