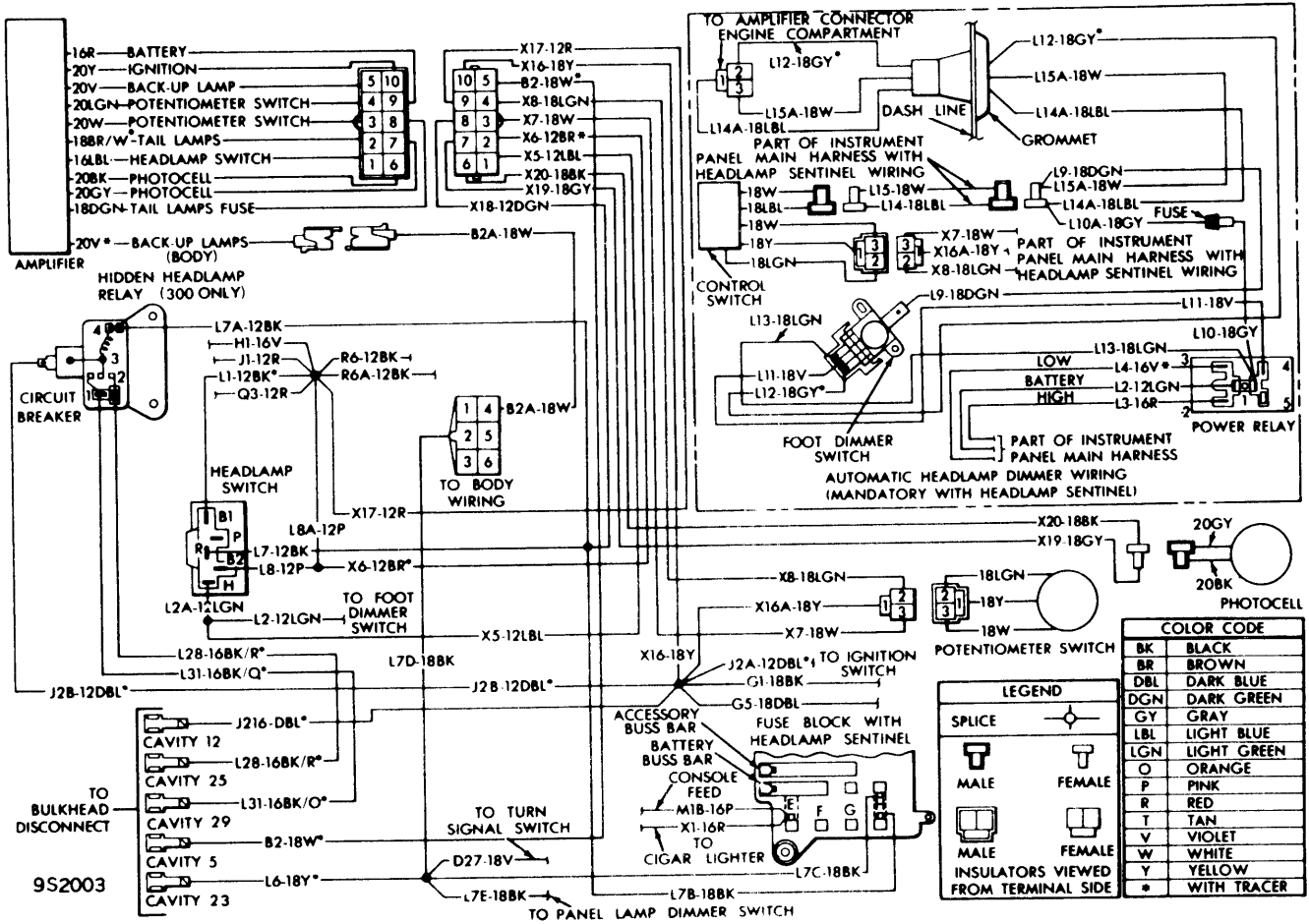
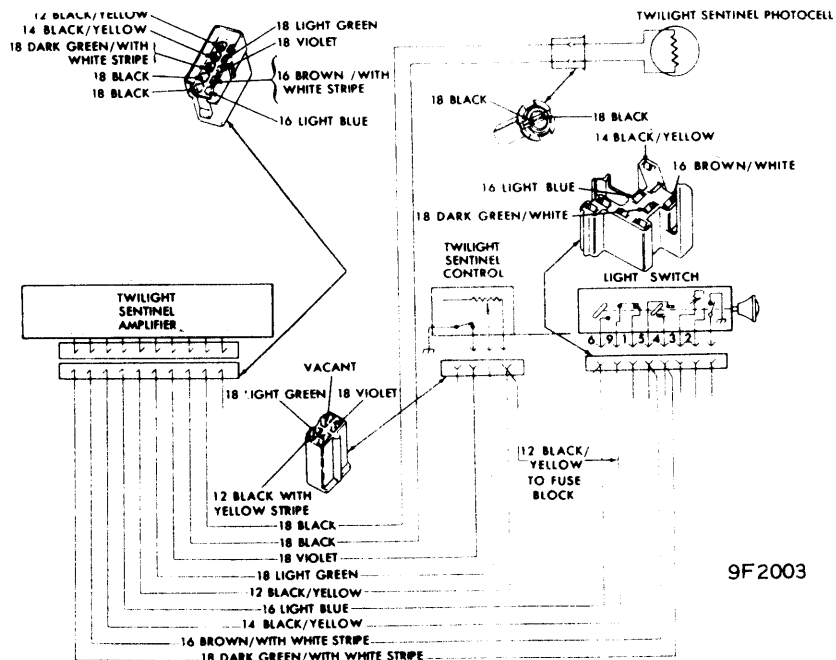


1969 Headlights

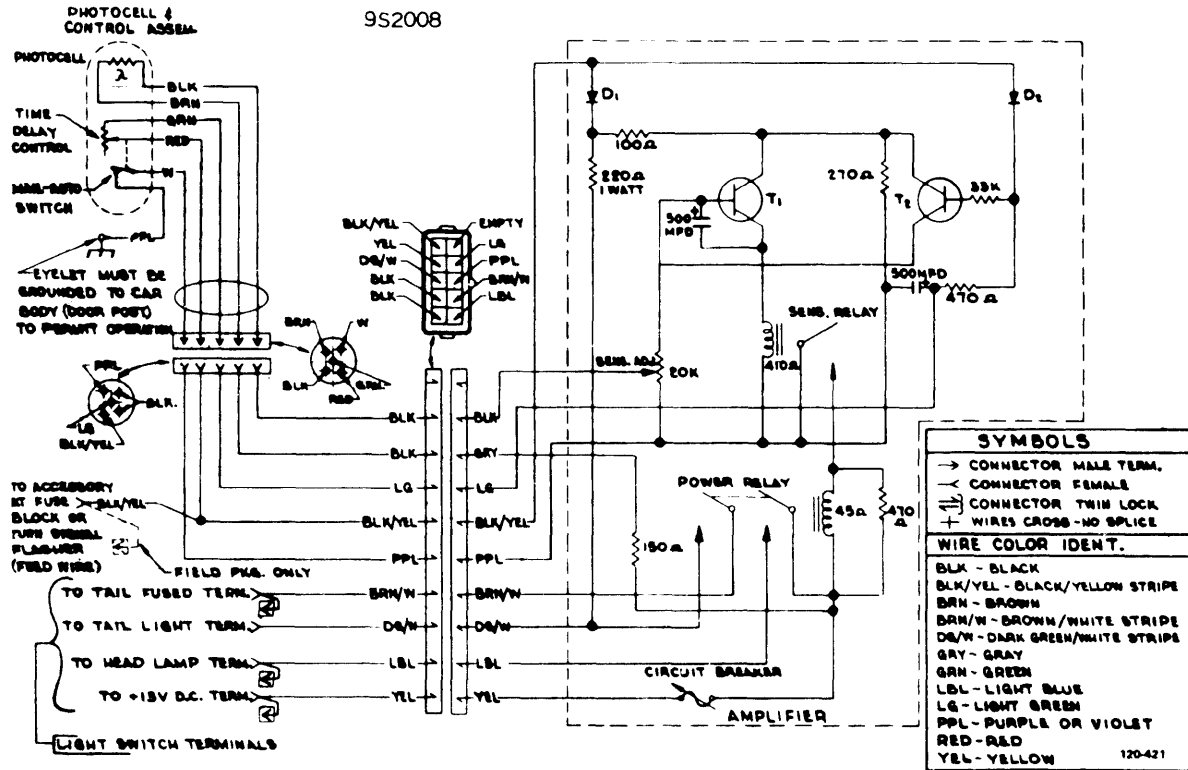


1969 CHRYSLER CORP. SAFEGUARD SENTINEL

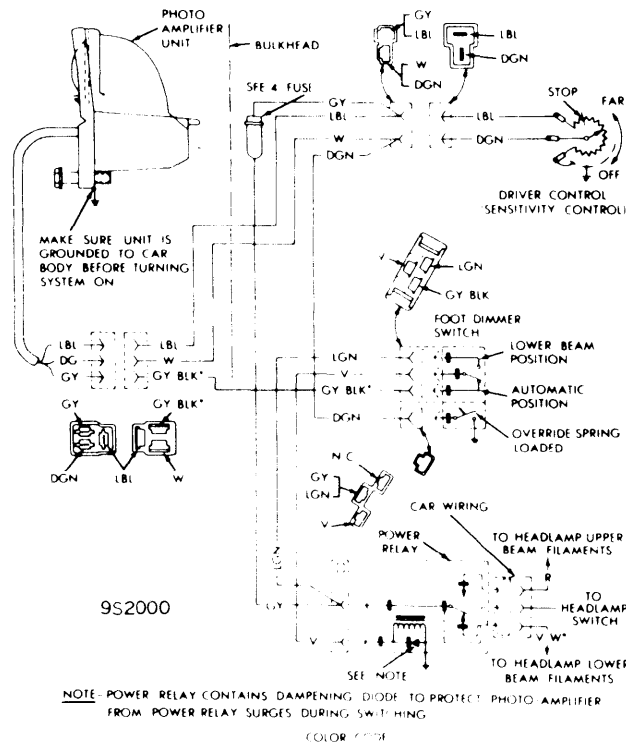


1969 CADILLAC TWILIGHT SENTINEL

1969 Headlights



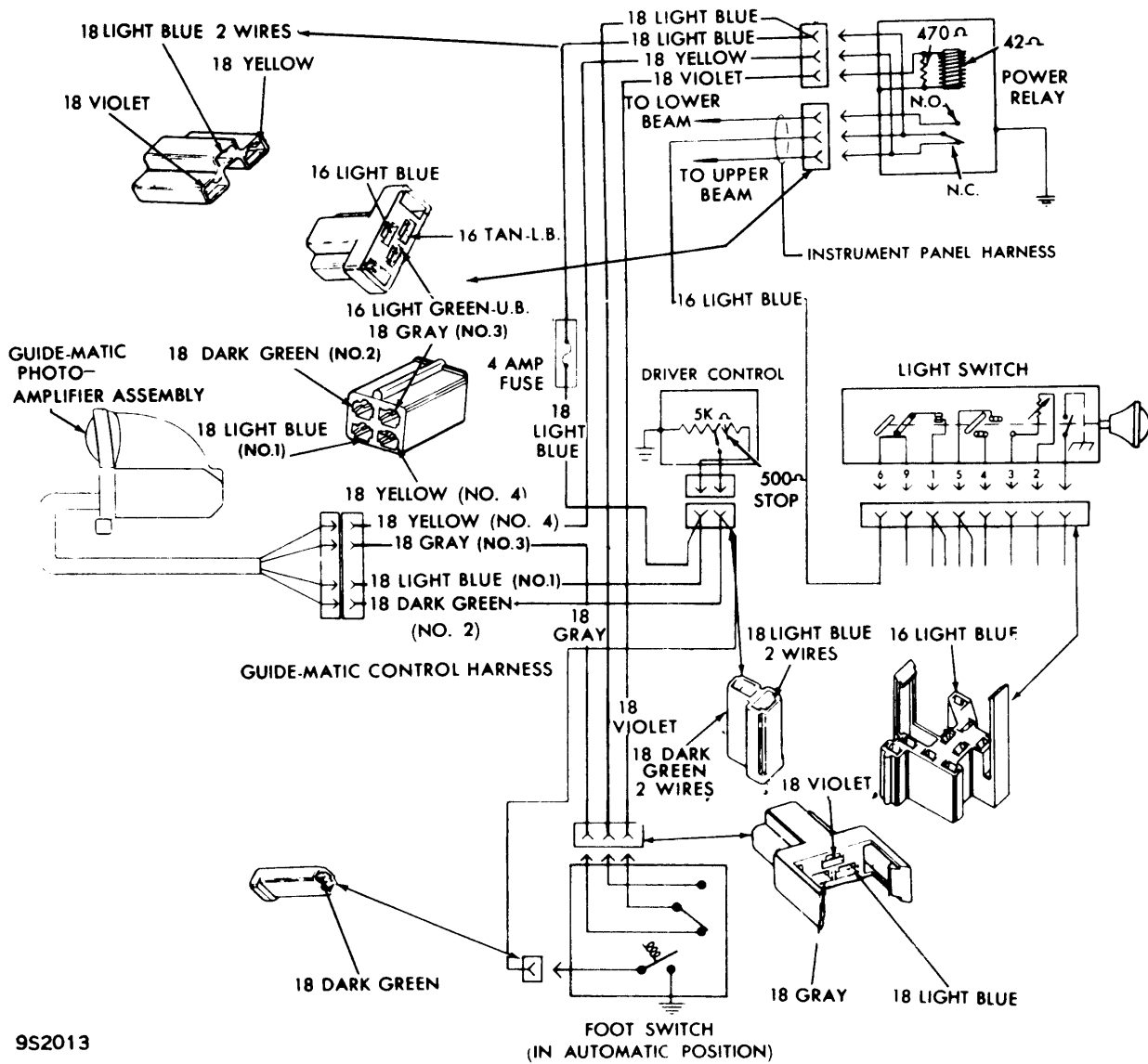
1969 BUICK TWILIGHT SENTINEL



- | | | | |
|---------|------------------------|-----|--------------------------|
| BLK | BLACK | N/C | NO CONNECTION |
| DGN | DARK GREEN | R | RED |
| GY | GRAY | V | VIOLET OR PURPLE |
| GY BLK* | GRAY WITH BLACK STRIPE | V W | VIOLET WITH WHITE STRIPE |
| LBL | LIGHT BLUE | W | WHITE OR NATURAL |
| LGN | LIGHT GREEN | W T | WITH TRACER |

1969 CHRYSLER CORP. AUTOMATIC BEAM CHANGER

1969 Headlights



9S2013

1969 GENERAL MOTORS GUIDE-MATIC