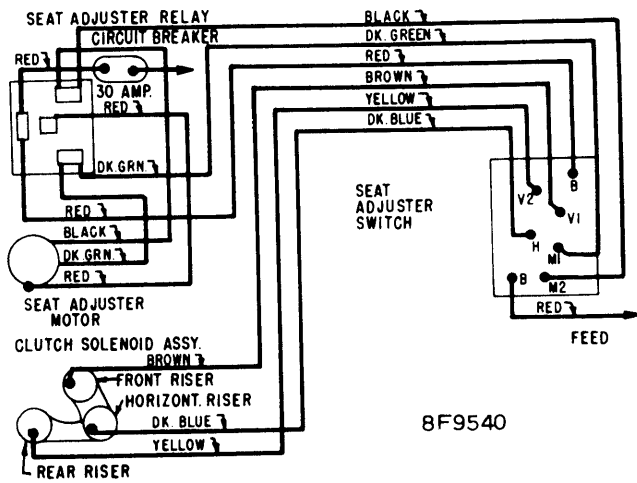
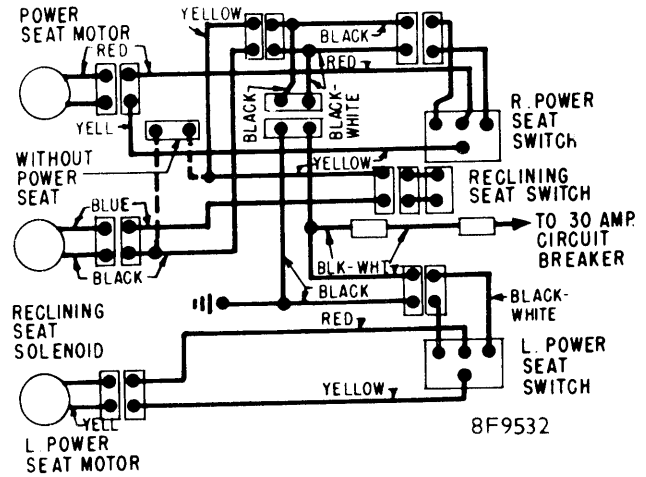


1969 Power Seat Controls



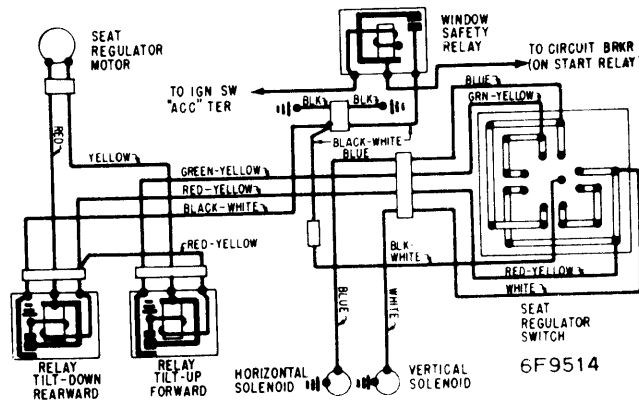
8F9540

1968-69 CHRYSLER CORP.
(EXC. CHRYSLER & IMPERIAL)

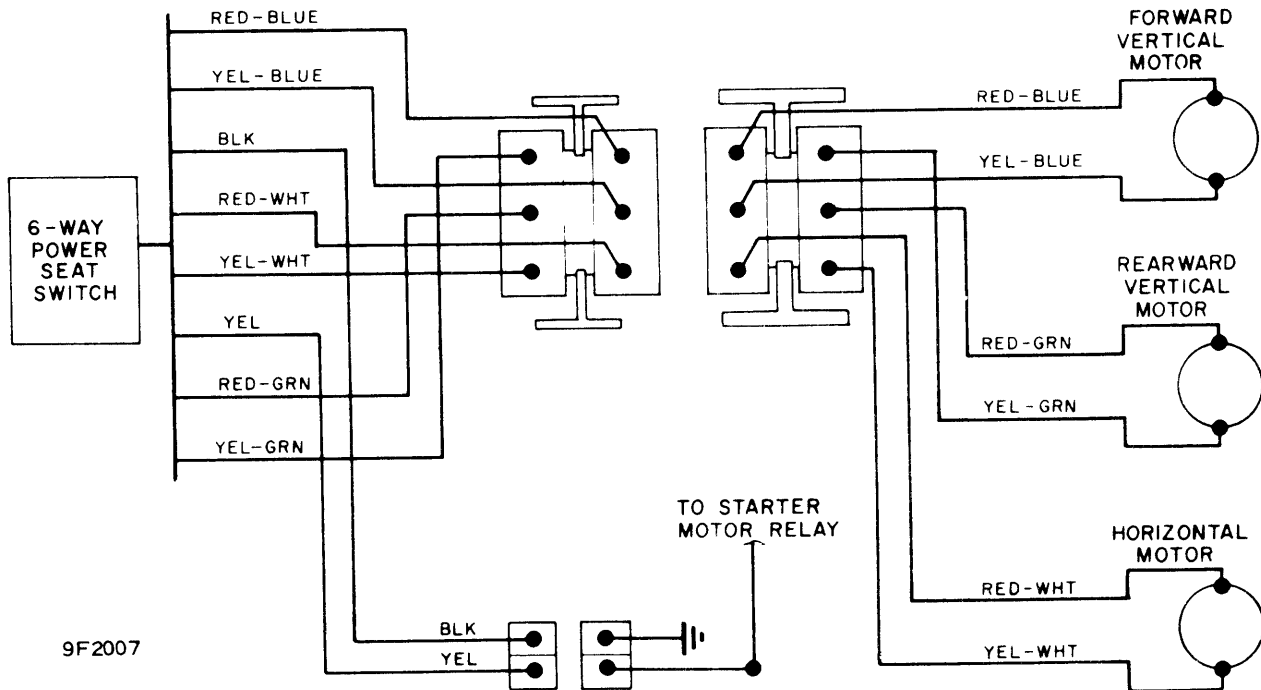


8F9532

1969 CONTINENTAL MARK III 2-WAY



1966-67 COMET 4-WAY SEAT (BENCH)
1968 COMET & MONTEGO 4-WAY
1969 MONTEGO 4-WAY

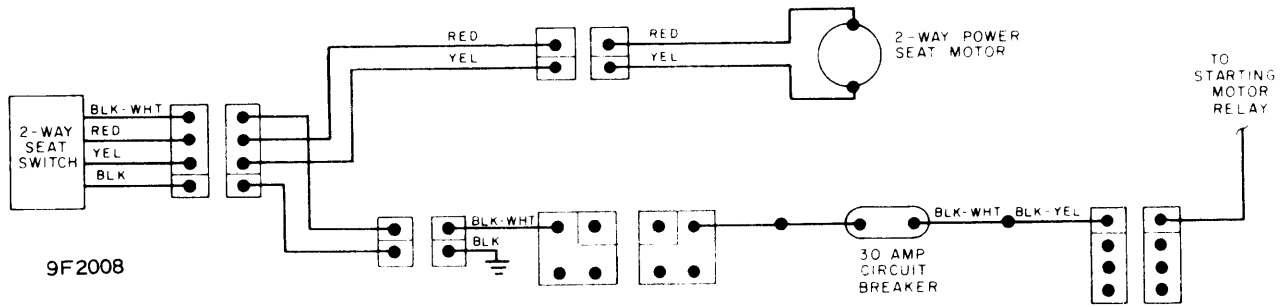


9F2007

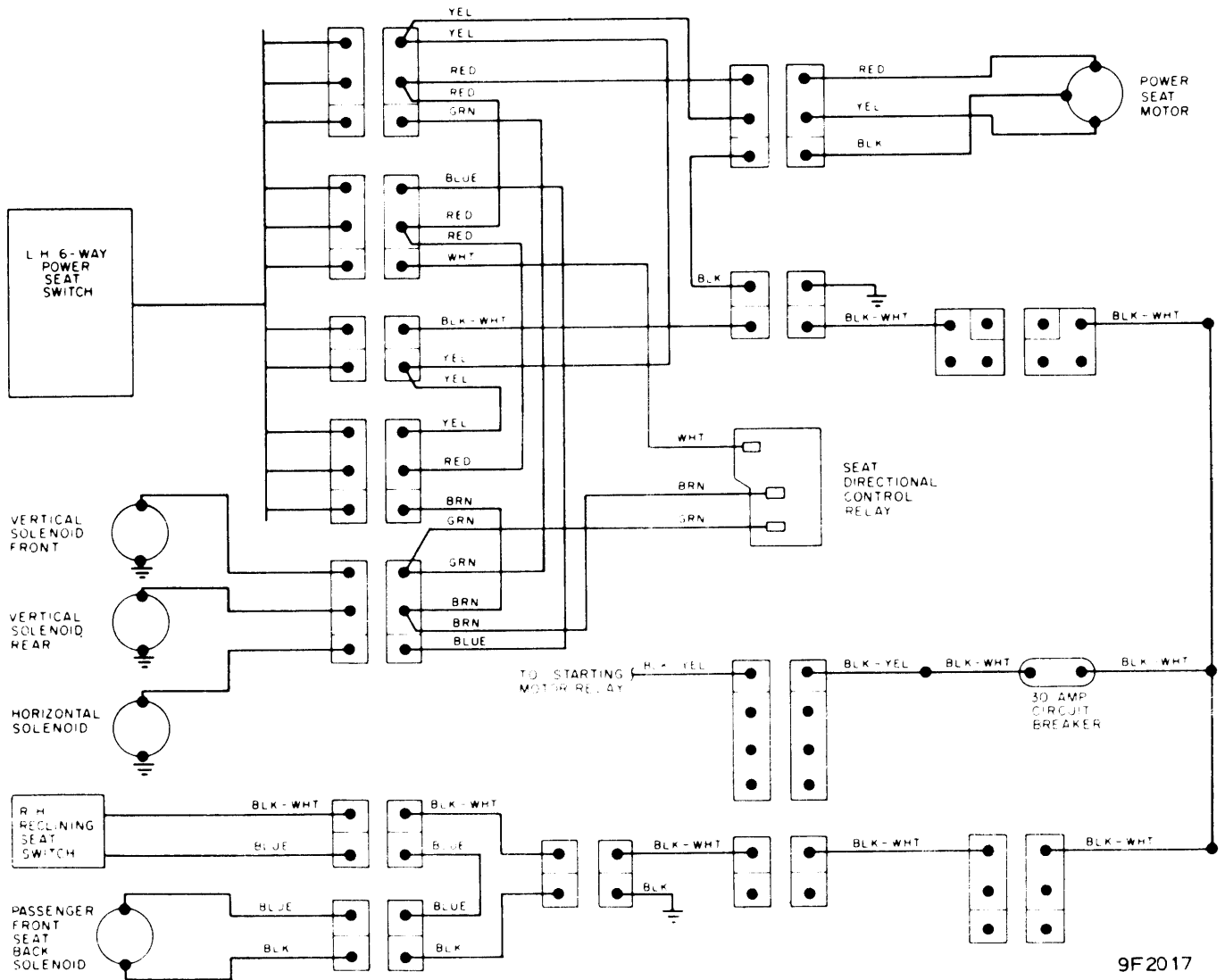
1969 FORD, METEOR & MERCURY 6-WAY

1969 Power Seat Controls

10-103

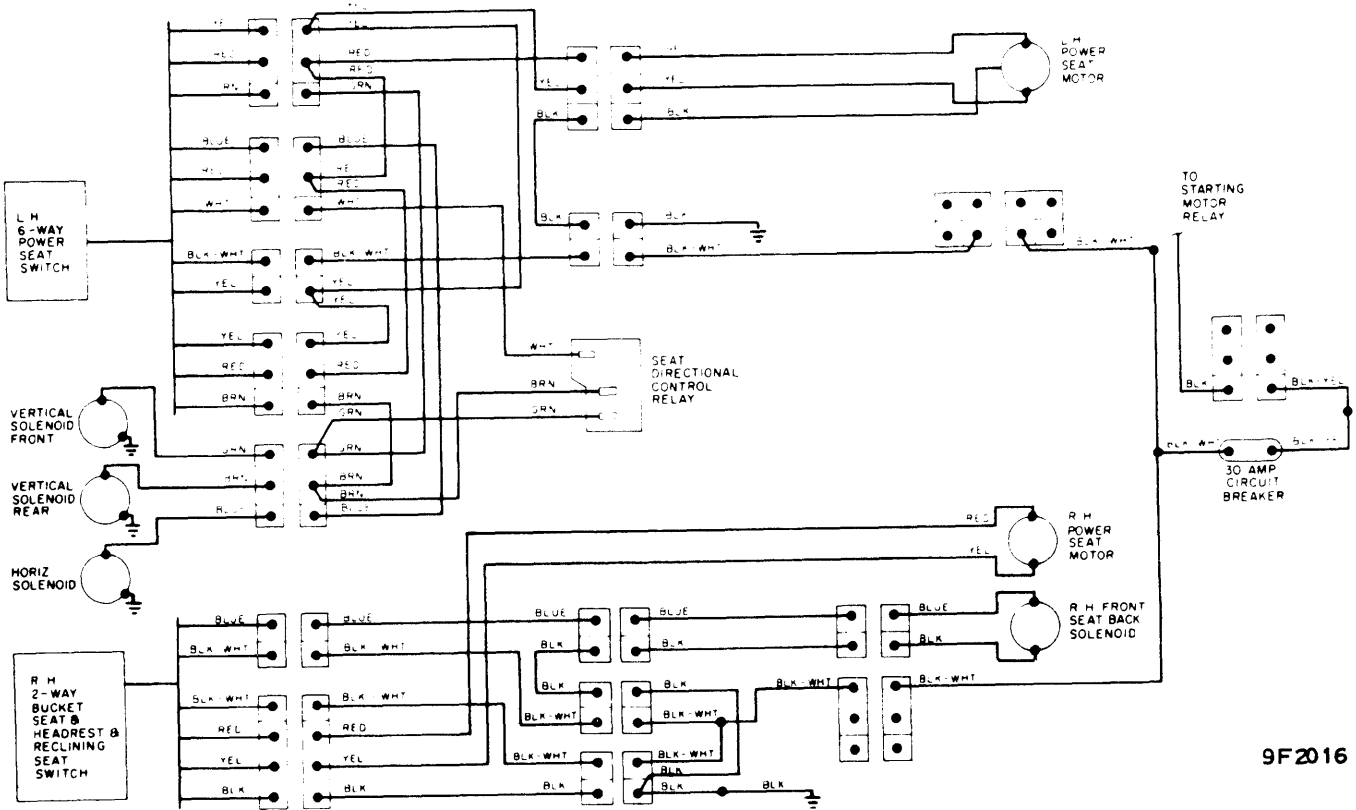


1969 LINCOLN 2-WAY



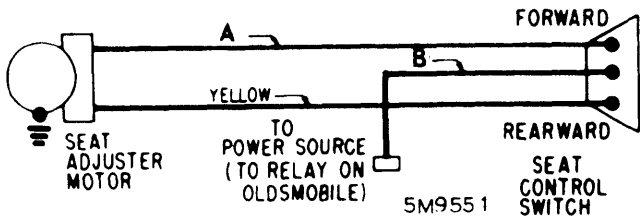
1969 LINCOLN CONTINENTAL 6-WAY (BENCH)

1969 Power Seat Controls



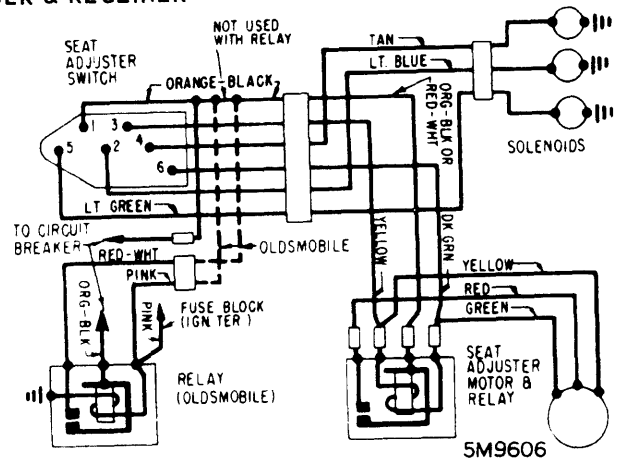
9F2016

1969 LINCOLN CONTINENTAL 6-WAY, BUCKET, DRIVER 2-WAY PASSENGER & RECLINER

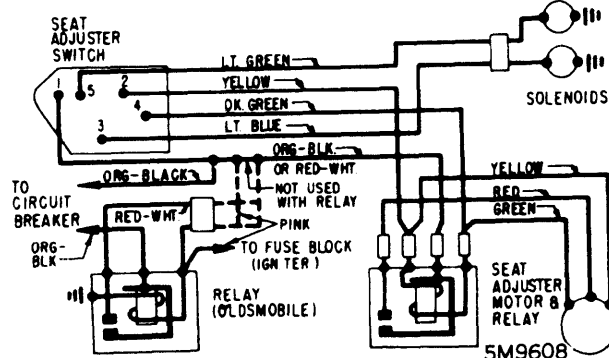


Model	A	B
Buick & Cadillac	Green	Red White Stripe
Oldsmobile	Green	Orange Black Stripe

1961-69 GENERAL MOTORS 2-WAY



1965-69 GENERAL MOTORS 6-WAY



1965-69 GENERAL MOTORS 4-WAY (SWITCH IN SEAT SIDE PANEL)