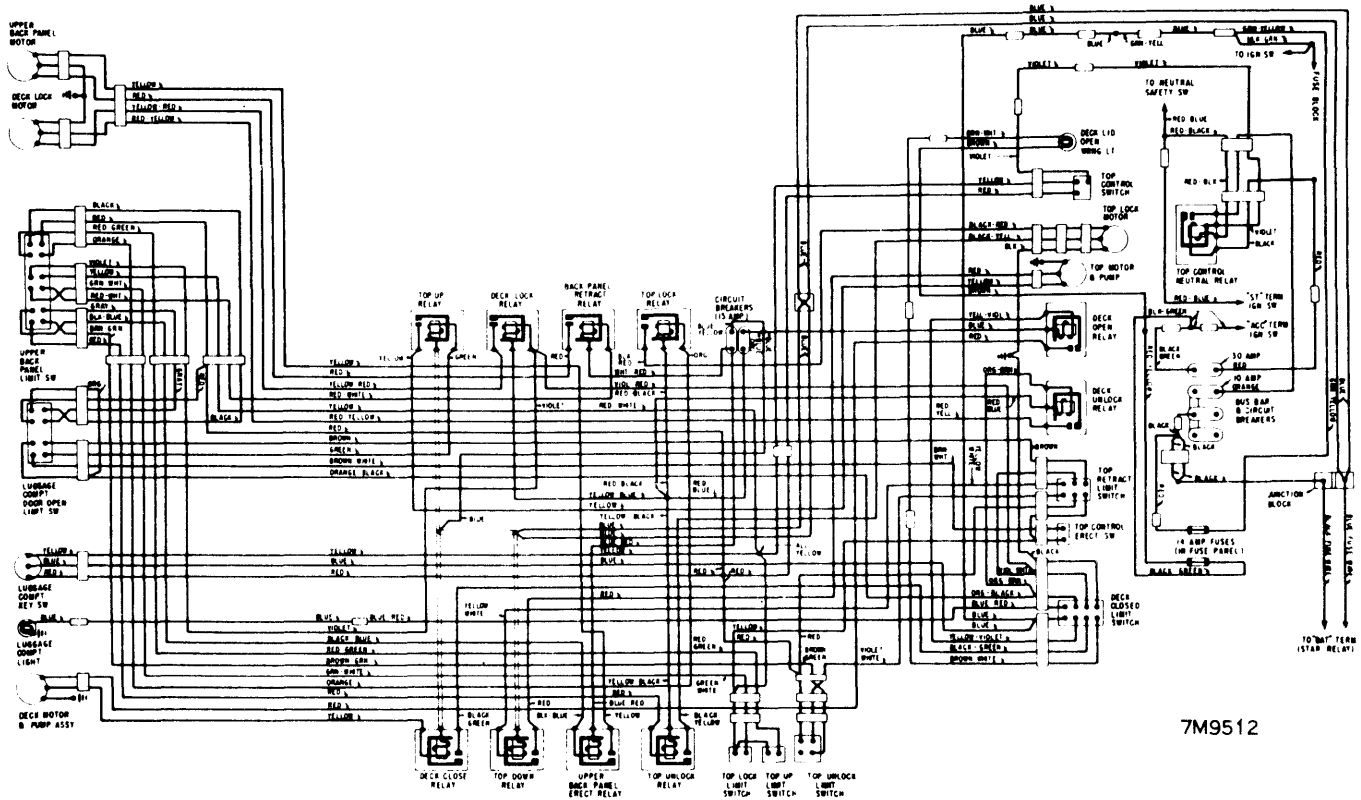
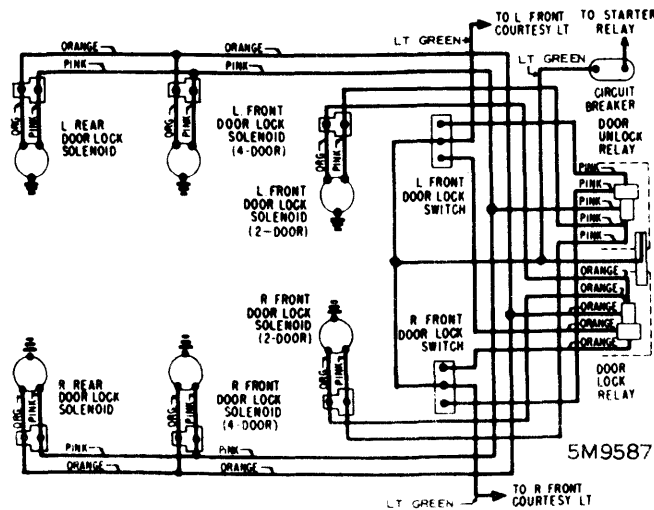


1967 Convertible Top Controls



1967 LINCOLN CONTINENTAL CONVERTIBLE TOP

1967 Door Locks



1963-65 IMPERIAL DOOR LOCKS
1965-67 CHRYSLER CORP. DOOR LOCKS