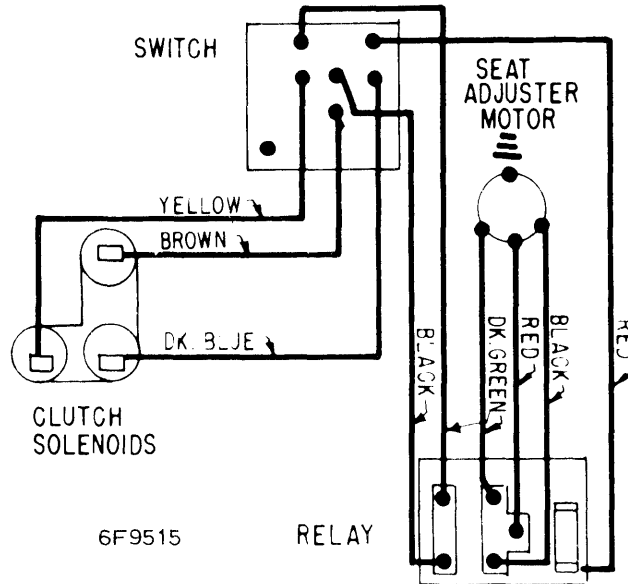


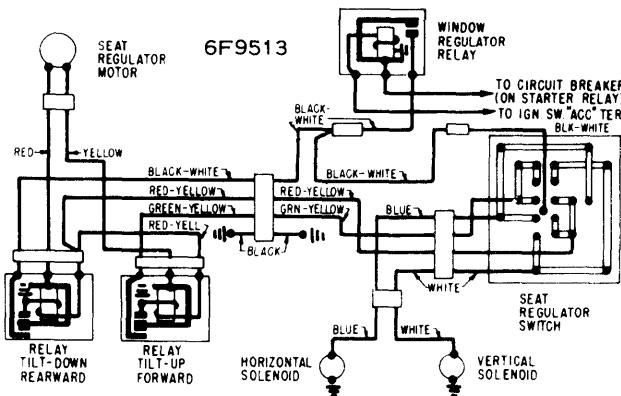
1966 Power Seat Controls

CHRYSLER CORP.

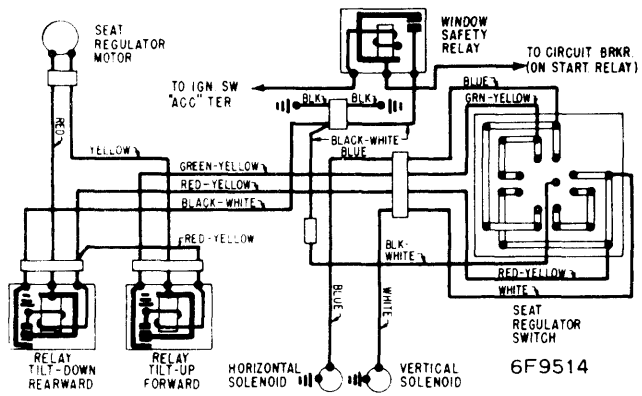


1966-67 CHRYSLER CORP. 6-WAY
(EXC. 1967-69 CHRYSLER & IMPERIAL)

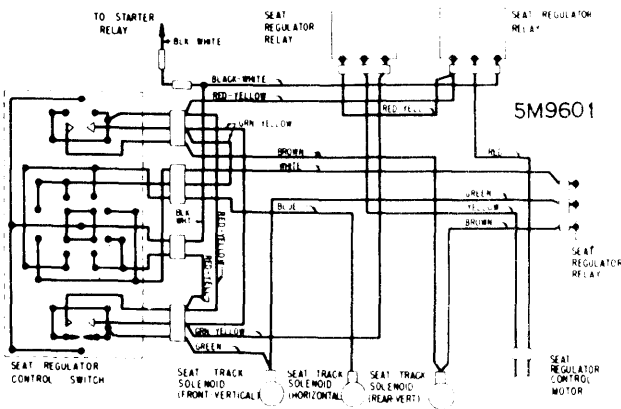
FORD MOTOR CO.



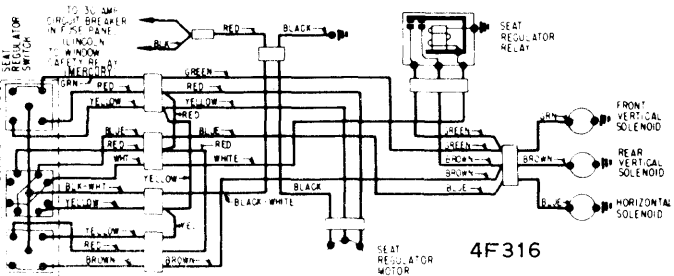
1966-67 COMET 4-WAY SEAT (BUCKET)



1966-67 COMET 4-WAY SEAT (BENCH)
1968 COMET & MONTEGO 4-WAY
1969 MONTEGO 4-WAY



1965-67 FORD & MERCURY 6-WAY

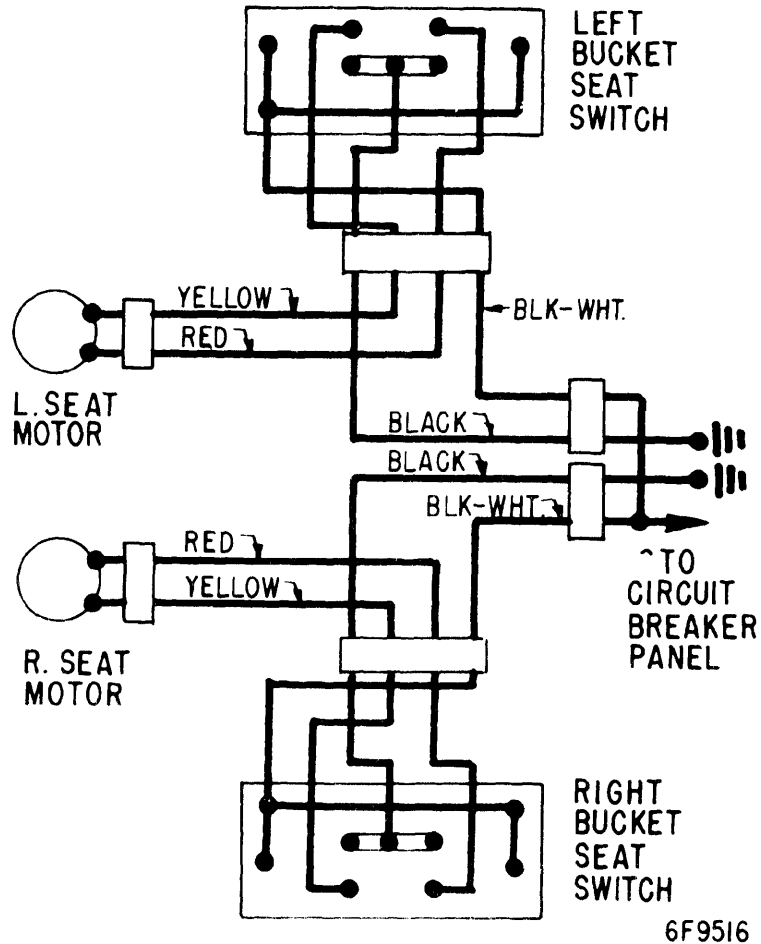


1964-67 LINCOLN 6-WAY
1964 MERCURY 6-WAY

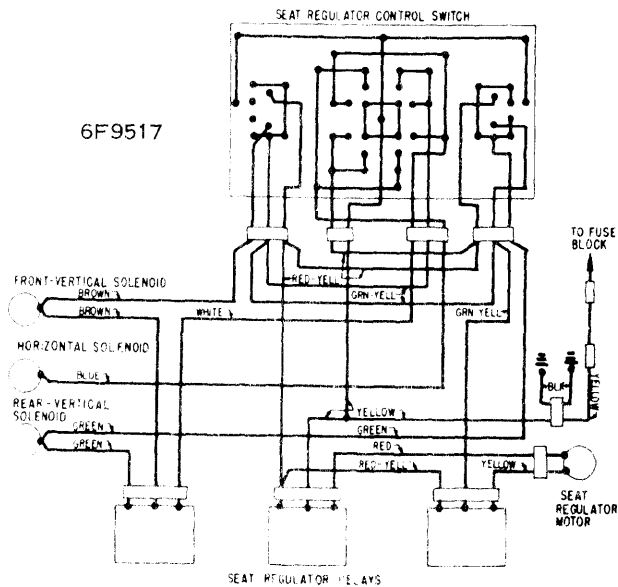
1966 Power Seat Controls

7-87

FORD MOTOR CO. (Continued)



1966-67 LINCOLN 2-WAY



1966-67 THUNDERBIRD 6-WAY