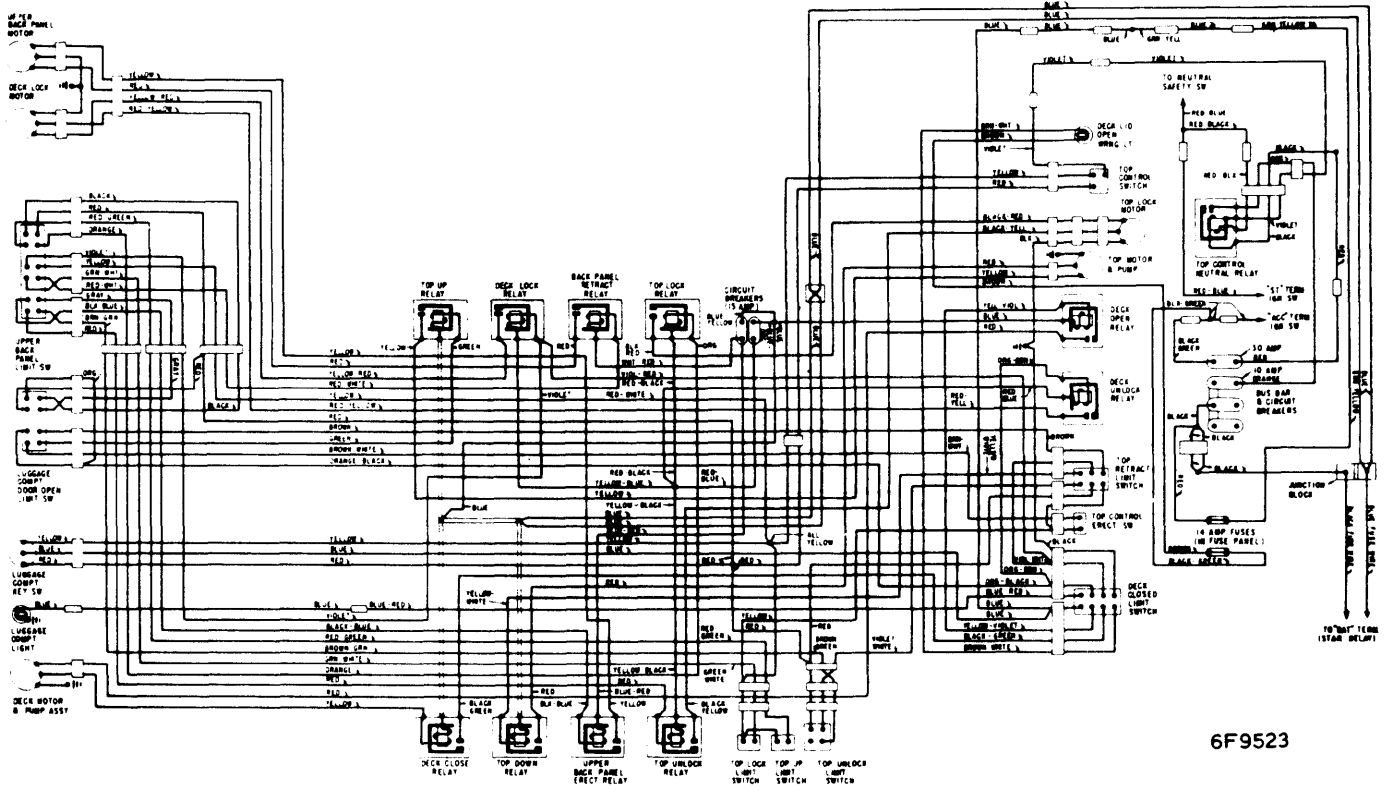
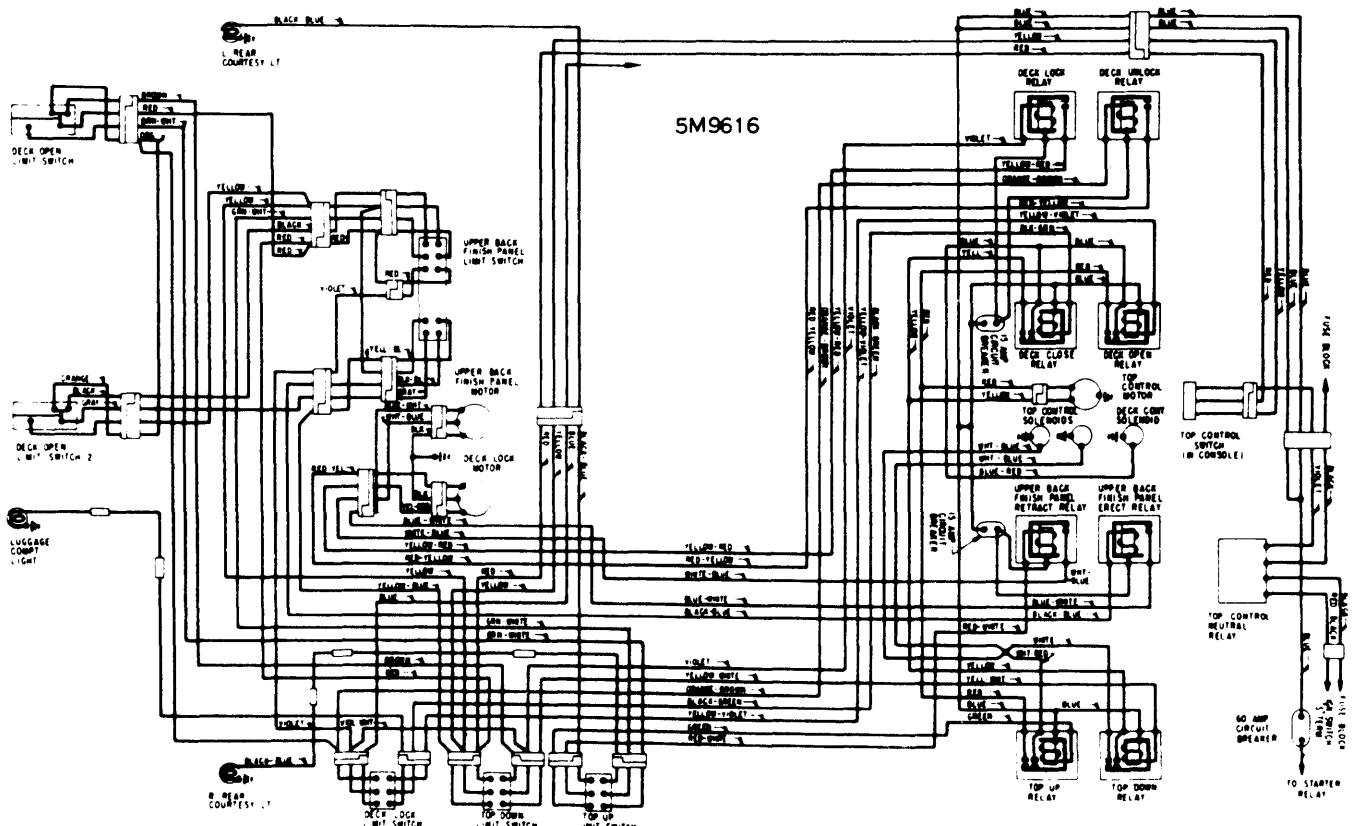


1966 Convertible Top Controls

7-89



1966 LINCOLN CONTINENTAL CONVERTIBLE TOP



1965-66 THUNDERBIRD CONVERTIBLE TOP