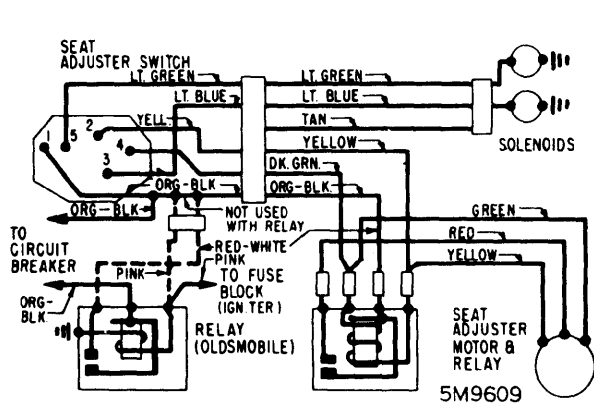
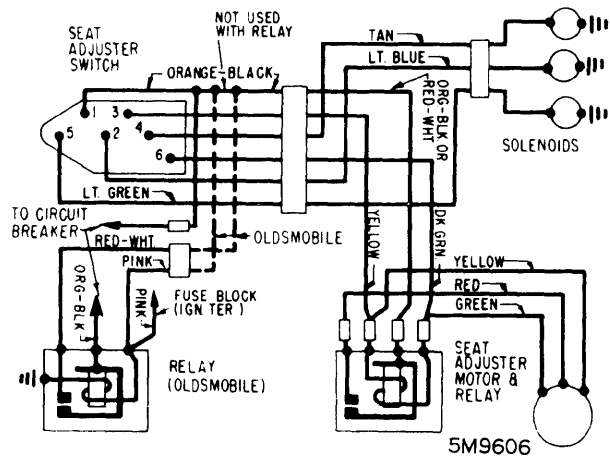


# 1966 Power Seat Controls

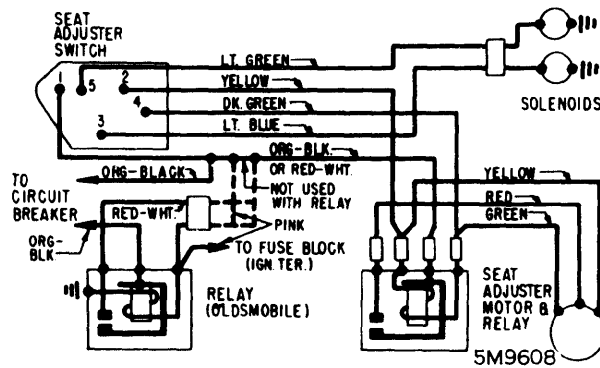
## GENERAL MOTORS



1965-67 GENERAL MOTORS 4-WAY  
(SWITCH IN ARM REST)



1965-69 GENERAL MOTORS 6-WAY



1965-69 GENERAL MOTORS 4-WAY  
(SWITCH IN SEAT SIDE PANEL)