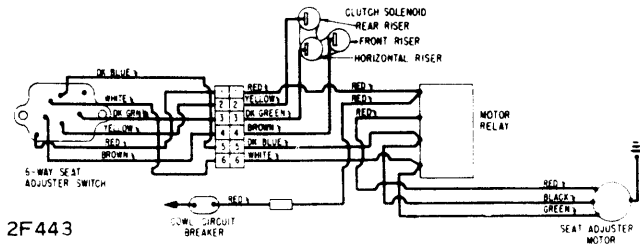


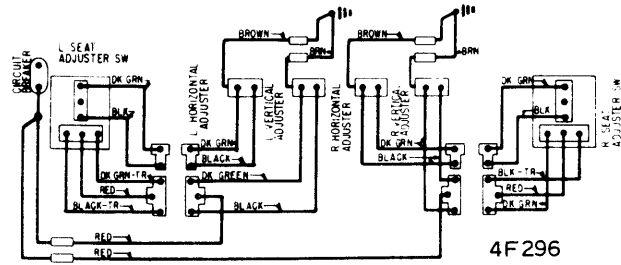
1965 Power Seat Controls

CHRYSLER CORP.



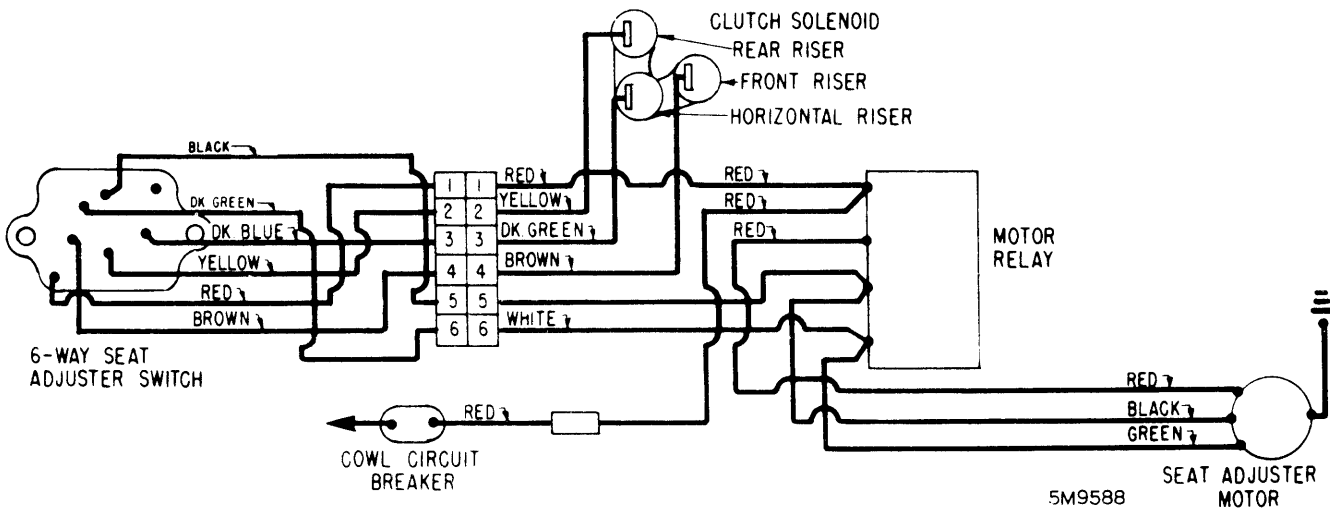
2F443

1961-64 CHRYSLER CORP (ALL MODELS) 6-WAY
1965 PLYMOUTH BELVEDERE & SATELLITE,
DODGE DART & CORONET 6-WAY



4F296

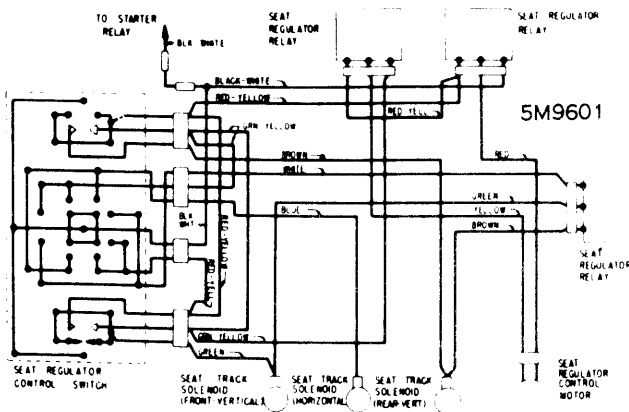
1964-65 CHRYSLER & IMPERIAL 4-WAY



5M9588

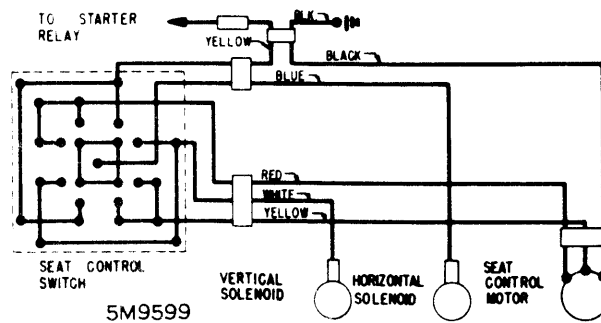
1965 CHRYSLER CORP. (EXCEPT PLYMOUTH BELVEDERE & SATELLITE, DODGE DART & CORONET) 6-WAY

FORD MOTOR CO.



5M9601

1965-67 FORD & MERCURY 6-WAY



5M9599

1965 FORD & MERCURY 4-WAY