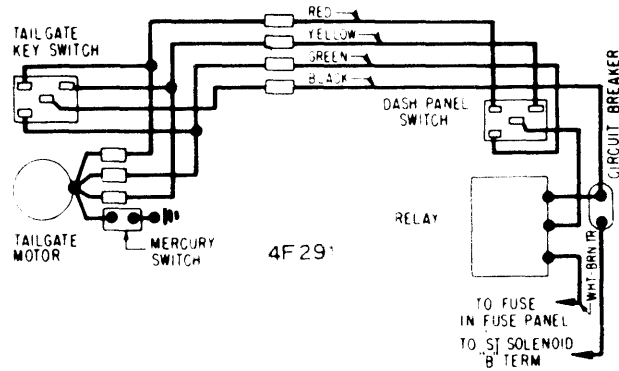


1965 Electric Window Controls

6-79

STUDEBAKER CORP.



1963-65 STUDEBAKER TAILGATE