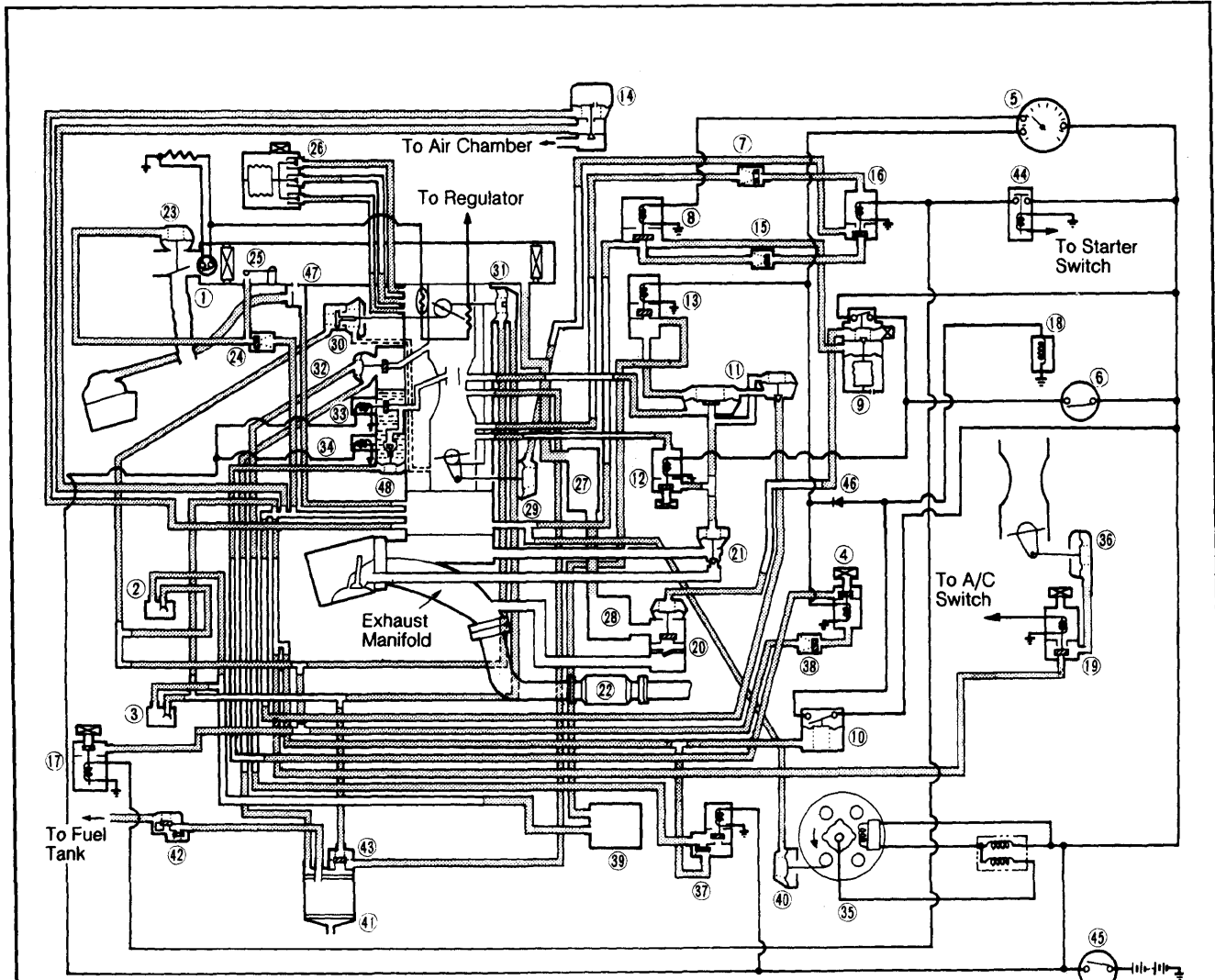


1982 Exhaust Emission Systems

HONDA VACUUM DIAGRAMS

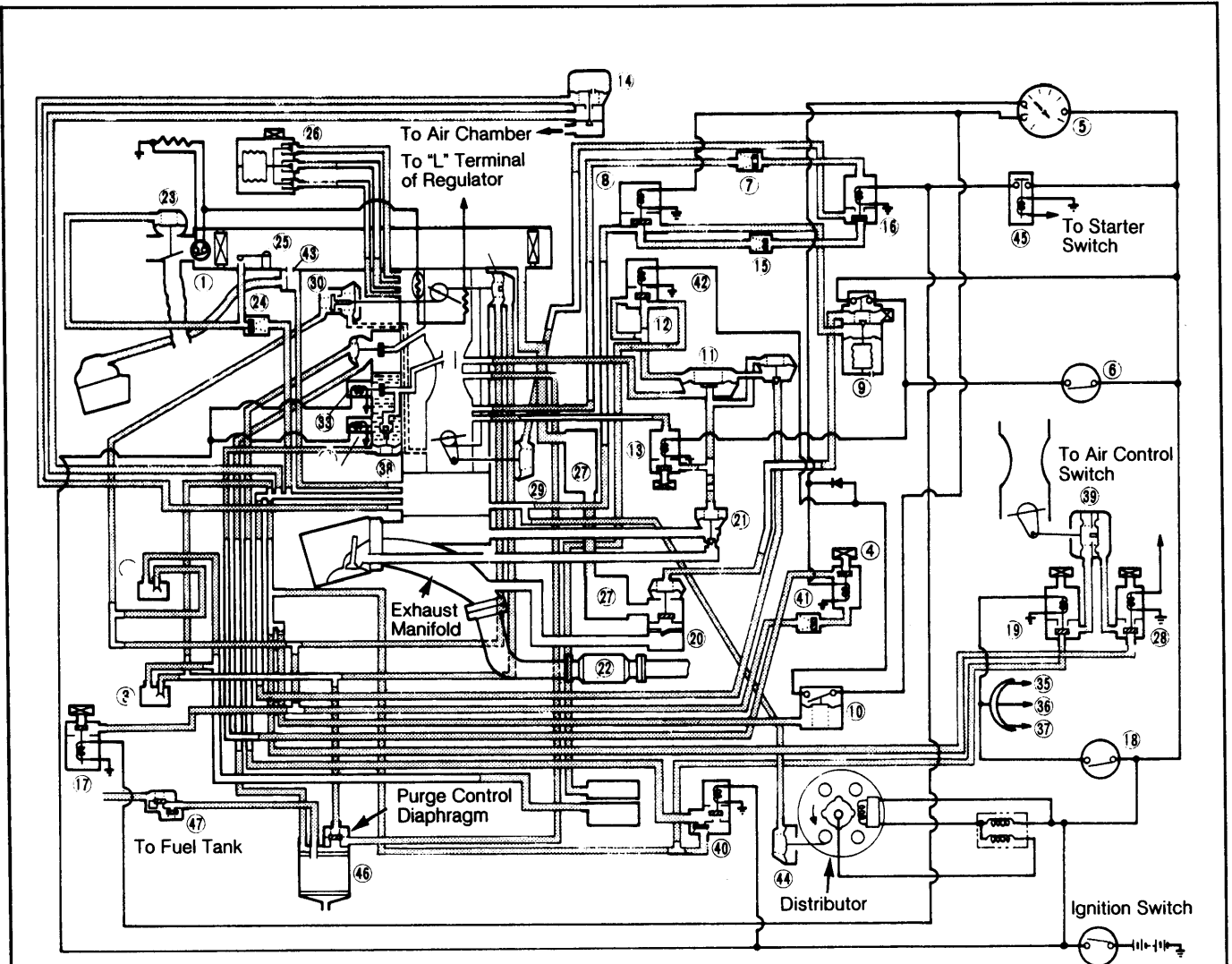
Fig. 1: Accord & Prelude Vacuum Diagram



- | | | |
|---|---|---|
| <ul style="list-style-type: none"> 1. Intake Air Temperature Sensor 2. Thermovalve A 3. Thermovalve B 4. Power Valve Control Solenoid Valve 5. Speed Sensor 6. Thermo-sensor 7. Dashpot Check Valve 8. Control Switch Solenoid Valve 9. Control Switch 10. Vacuum Switch 11. EGR Control Valve A & B 12. EGR Control Solenoid Valve A 13. EGR Control Solenoid Valve B 14. Anti-Afterburn Valve 15. Throttle Controller Check Valve 16. Cranking Solenoid Valve | <ul style="list-style-type: none"> 17. Cranking Leak Solenoid Valve 18. Auxiliary Coil 19. Idle Control Solenoid Valve (A/C) 20. Air Suction & Cut-Off Valve 21. EGR Valve 22. Catalytic Converter 23. Intake Air Control Diaphragm Check Valve 24. Intake Air Temp. Control Check Valve 25. Air Bleed Valve 26. Air Jet Controller (Calif. & Hi. Alt. Only) 27. Air Chamber A 28. Air Chamber B 29. Throttle Controller 30. Choke Opener 31. Fast Idle Unloader 32. Air Vent Cut-Off Diaphragm | <ul style="list-style-type: none"> 33. Primary Main Fuel Cut-Off Solenoid Valve 34. Primary Slow Mixture Cut-Off Solenoid Valve 35. Distributor 36. Idle Controller (A/C) 37. Vacuum Holding Solenoid Valve 38. Power Valve Check Valve 39. Air Filter 40. Distributor Vacuum Advance 41. Canister 42. Two-way Valve 43. Purge Control Diaphragm Valve 44. Starter Relay 45. Ignition Switch 46. Diode 47. Condensation Chamber 48. Power Valve |
|---|---|---|

HONDA VACUUM DIAGRAMS (Cont.)

Fig. 2: Civic Vacuum Diagram



- | | | |
|---|--|---|
| 1. Intake Air Temperature Sensor | 18. Thermosensor B (Man. Trans. Only) | 33. Primary Main Fuel Cut-Off Solenoid Valve |
| 2. Thermovalve A | 19. Idle Control Solenoid Valve A (Man. Trans. Only) | 34. Primary Slow Mixture Cut-off Solenoid Valve |
| 3. Thermovalve B | 20. Air Suction & Cut-Off Diaphragm Valve | 35. Rear Window Defroster Switch (Man. Trans. Only) |
| 4. Power Valve Control Solenoid Valve | 21. EGR Valve | 36. Heater Blower Switch (Man. Trans. Only) |
| 5. Speed Sensor | 22. Catalytic Converter | 37. Headlight Switch (Man. Trans. Only) |
| 6. Thermosensor A | 23. Intake Air Control Diaphragm | 38. Power Valve |
| 7. Dashpot Check Valve (Exc. Civic 1300 5-Spd. Fed. Models) | 24. Intake Air Temp. Control Check Valve | 39. Idle Controller |
| 8. Control Switch Solenoid Valve | 25. Air Bleed Valve | 40. Vacuum Holding Solenoid Valve |
| 9. Control Switch | 26. Air Jet Controller (Calif. & Hi. Alt. Only) | 41. Power Valve Check Valve |
| 10. Vacuum Switch | 27. Air Chambers A & B | 42. EGR Air Filter |
| 11. EGR Control Valve A & B | 28. Idle Control Solenoid Valve B Solenoid Valve | 43. Condensation Chamber |
| 12. EGR Control Solenoid Valve B | 29. Throttle Controller | 44. Distributor Vacuum Advance |
| 13. EGR Control Solenoid Valve A | 30. Choke Opener | 45. Starter Relay |
| 14. Anti-Afterburn Valve | 31. Fast Idle Unloader | 46. Canister |
| 15. Throttle Controller Check Valve | 32. Air Vent Cut-Off Diaphragm | 47. Two-Way Valve |
| 16. Cranking Solenoid Valve | | |
| 17. Cranking Leak Solenoid Valve | | |