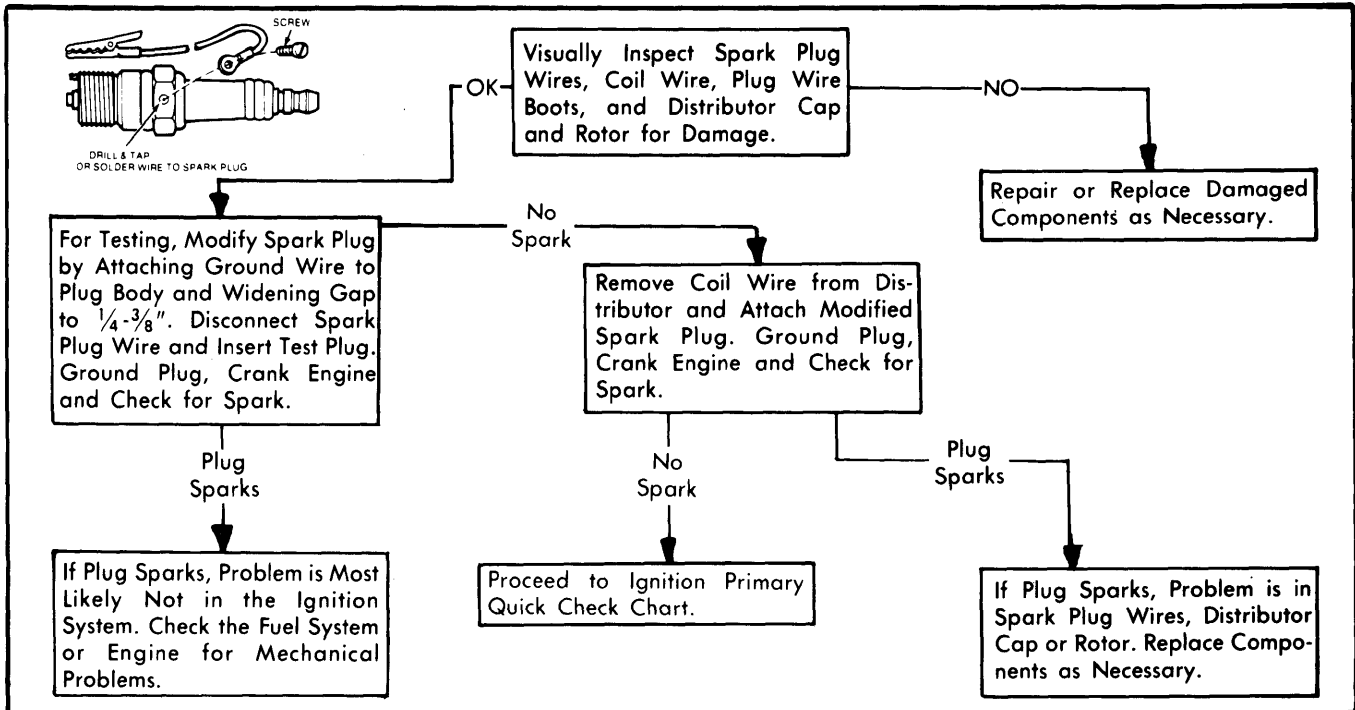


# Distributors & Ignition Systems

## IGNITION SECONDARY QUICK CHECK CHART



## IGNITION PRIMARY QUICK CHECK CHART

