

FIAT

All Models

DESCRIPTION

The fuel evaporation emission system is designed to prevent the escape of fuel vapors into the atmosphere. The system consists of a limited filling fuel tank with positive sealing filler cap, vapor-liquid separator(s), one-way valve, two-way valve, charcoal canister, and lines to connect the various components.

OPERATION

Fuel vapors are conveyed through the system to charcoal canister, where they are absorbed by activated charcoal. During engine operation the vapors are drawn from canister to carburetor and into engine. The two-way valve provides an air inlet to the fuel tank and acts as a safety valve to prevent tank overpressure. The one-way valves control the direction of fuel flow.

MAINTENANCE

Check all components for leakage every 15,000 miles and replace as required. Every 25,000 miles, replace activated carbon trap.

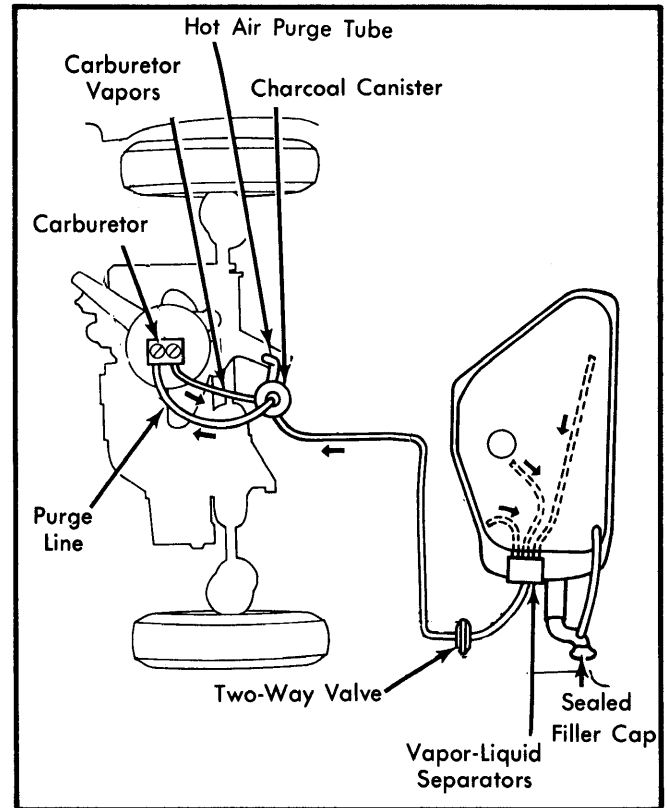


Fig. 1 Fiat Fuel Evaporation System (Carbureted Brava, Spider 2000 & Strada)

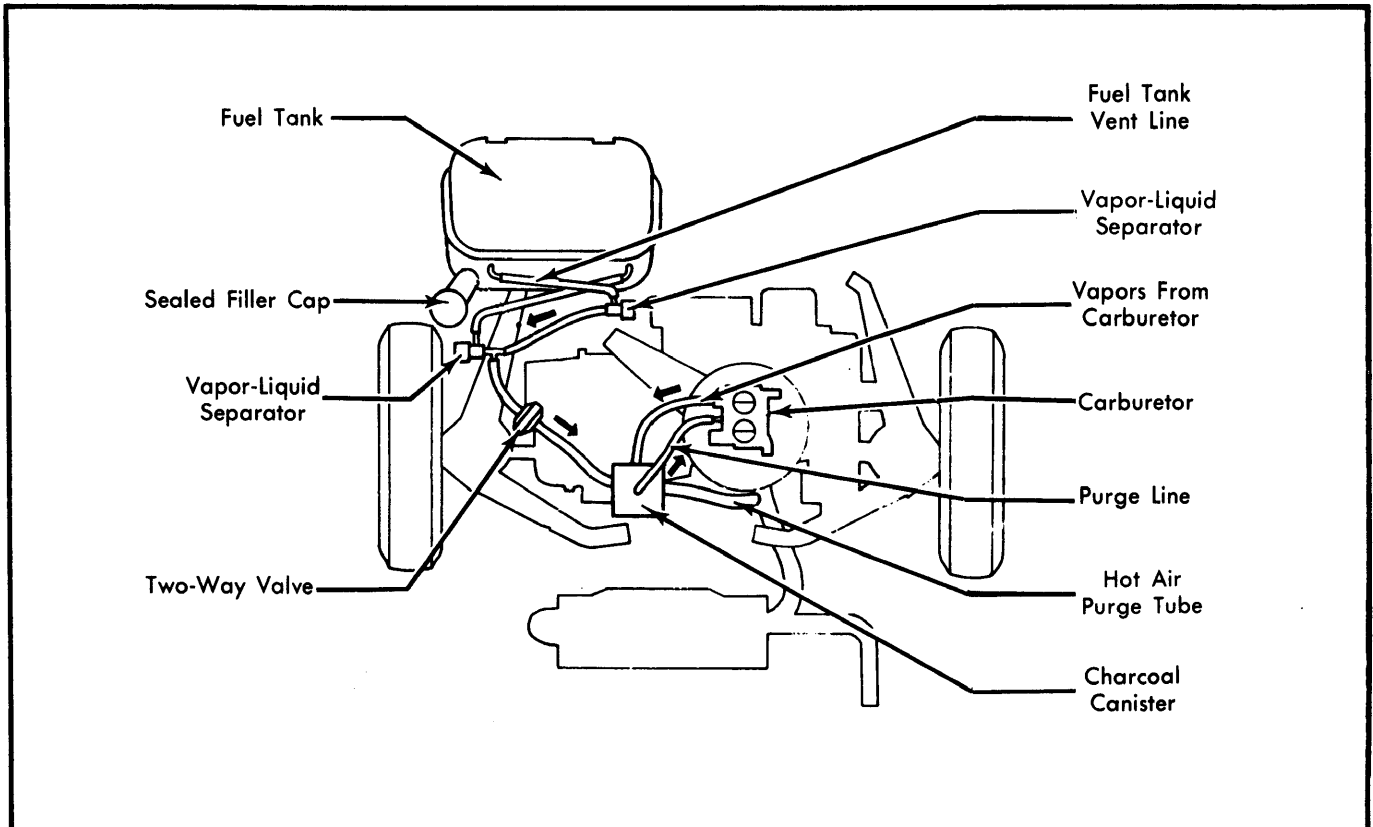
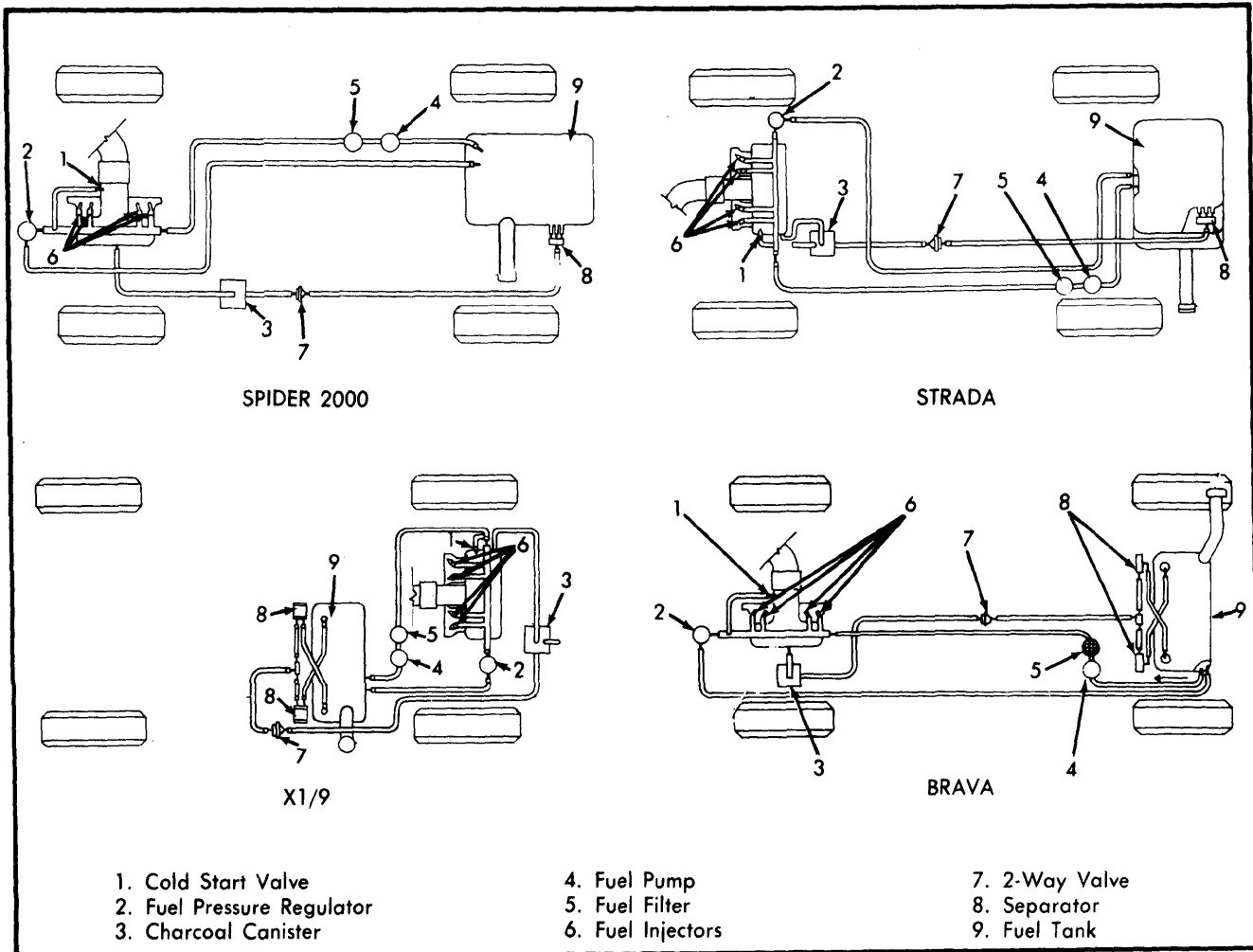


Fig. 2 Fiat Fuel Evaporation System (Carbureted X1/9)

1980 Fuel Evaporation Systems

FIAT (Cont.)



**Fig. 3 Fiat Fuel Evaporation Systems
(Fuel Injected Models)**