

# 1974-79 EXHAUST EMISSION SYSTEMS

## Volvo Catalytic Converters

3-527

### All Models

### DESCRIPTION

The catalytic converter is a container with a ceramic material insert, designed to let the exhaust gases pass through channels in the insert. Channel walls are covered by a thin layer of platina-palladium. These materials act as catalysts, permitting a chemical action to occur without actually taking part in it. Models equipped with oxygen sensor feedback (Lambda) system use catalytic converters containing platinum and rhodium.

### MAINTENANCE

The only maintenance required on the catalytic converter is to check tightness of flange bolts and efficiency of converter every 15,000 miles. The efficiency of the catalytic converter can be checked by measuring CO% level at plug in front of converter and at tailpipe, and comparing the two readings. If CO% level readings remain about the same on both sides of the converter, the converter is defective and should be replaced as an assembly.

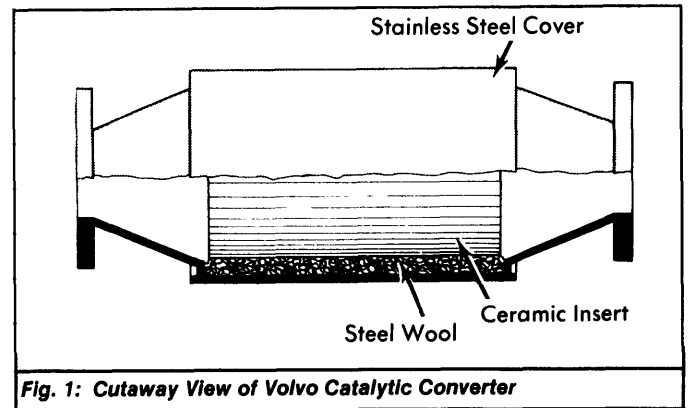


Fig. 1: Cutaway View of Volvo Catalytic Converter

## Volvo Crankcase Ventilation

### All Models

### DESCRIPTION

Crankcase ventilation system consists of a flame trap, a calibrated orifice, an oil trap (if equipped), and various connecting hoses and pipes.

### OPERATION

Fresh air is drawn into crankcase from air cleaner, through fresh air hose, flame trap, oil trap, and valve cover during engine idle periods. Crankcase fumes are drawn through hose and distributor pipe (if equipped) into intake manifold through calibrated orifice. During high speed operation, crankcase fumes flow in a reverse direction through fresh air hose and enter engine through air cleaner.

### MAINTENANCE

System, including all hoses, should be inspected for deterioration or leakage. The calibrated orifice located on the intake manifold should be cleaned. This cleaning and inspection should be performed every 15,000 miles.

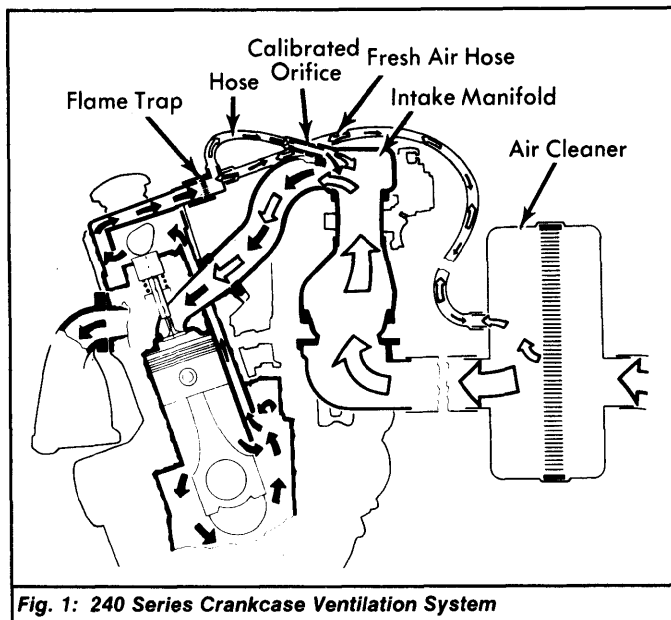


Fig. 1: 240 Series Crankcase Ventilation System

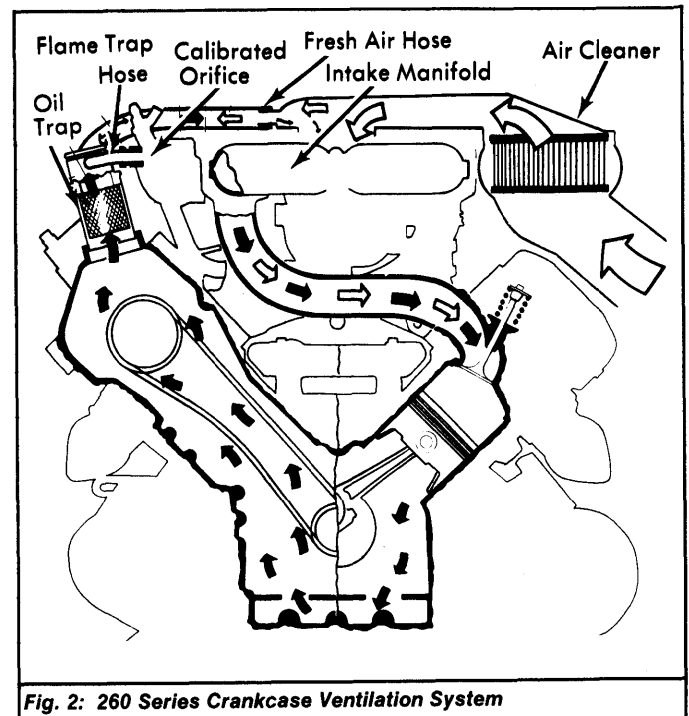


Fig. 2: 260 Series Crankcase Ventilation System