

# 1974-79 EXHAUST EMISSION SYSTEMS

## Toyota Vacuum Diagrams

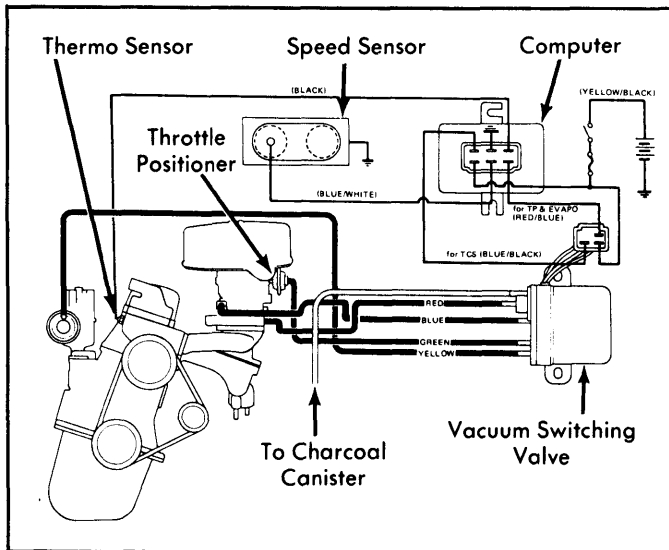


Fig. 1: 1974 3K-C Engine Exhaust Emission System

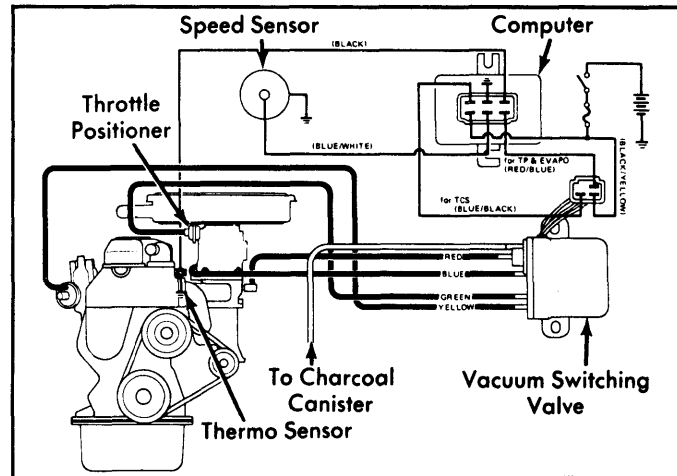


Fig. 4: 1974 18R-C Engine Exhaust Emission System (Except California)

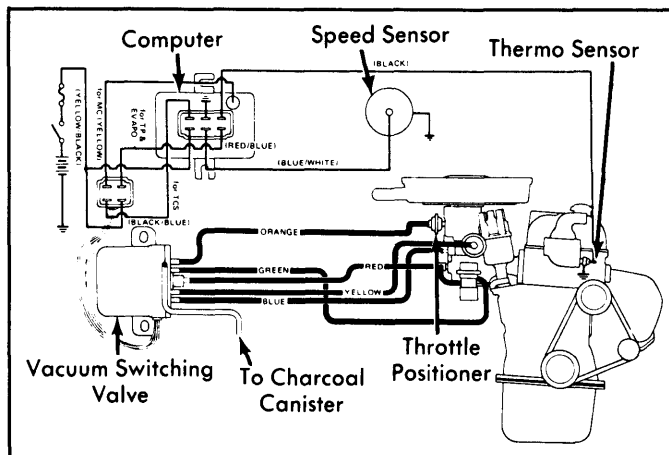


Fig. 2: 1974 2T-C Engine Exhaust Emission System

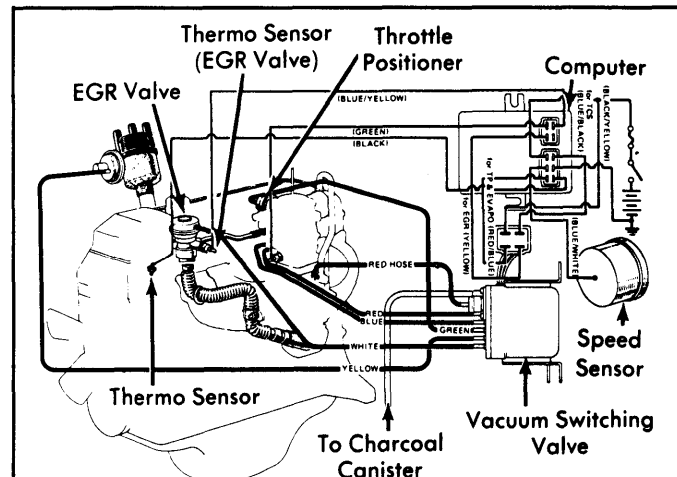


Fig. 5: 1974 18R-C Engine Exhaust Emission System (California)

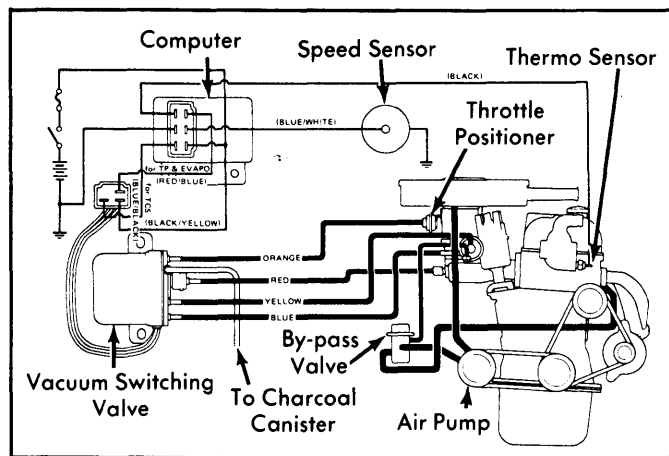


Fig. 3: 1974 2T-C Engine Exhaust Emission System (California)

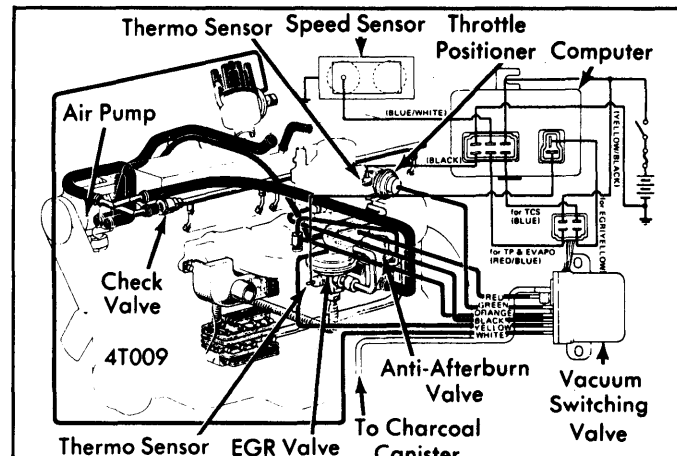
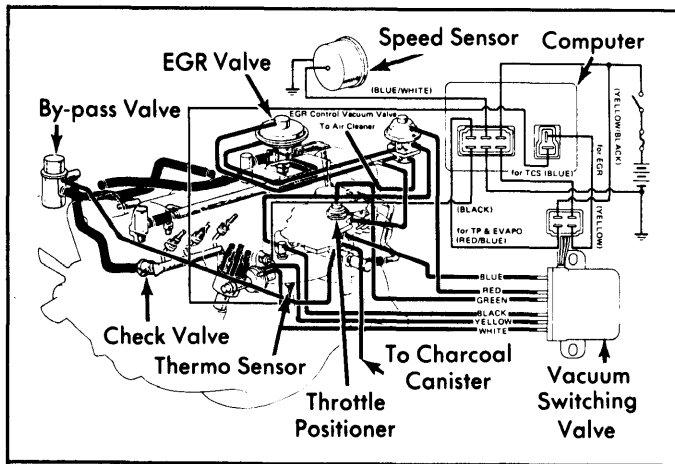
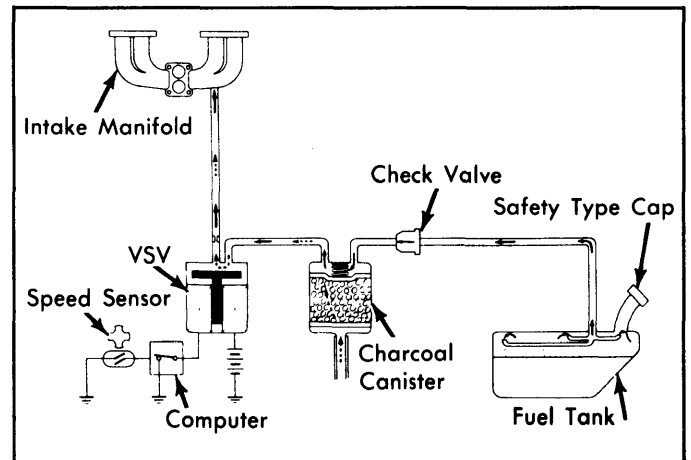


Fig. 6: 1974 F Engine Exhaust Emission System (California)

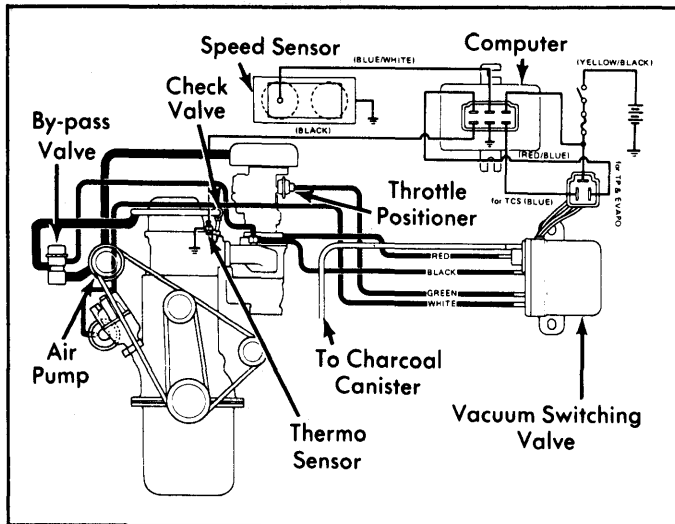
# 1974-79 EXHAUST EMISSION SYSTEMS Toyota Vacuum Diagrams (Cont.)



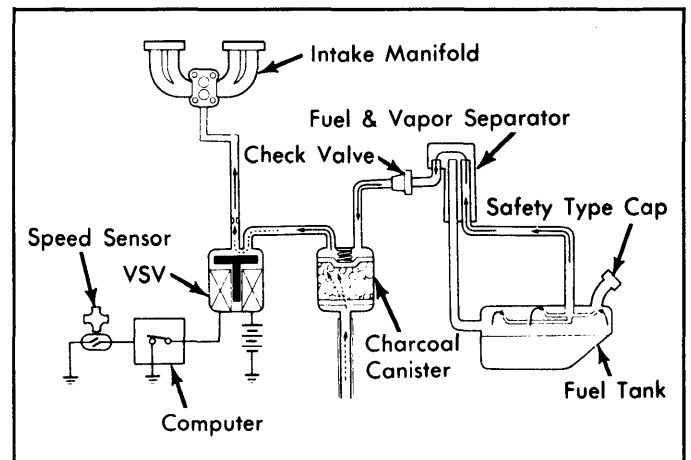
**Fig. 7: 1974 4M Engine Exhaust Emission System (California)**



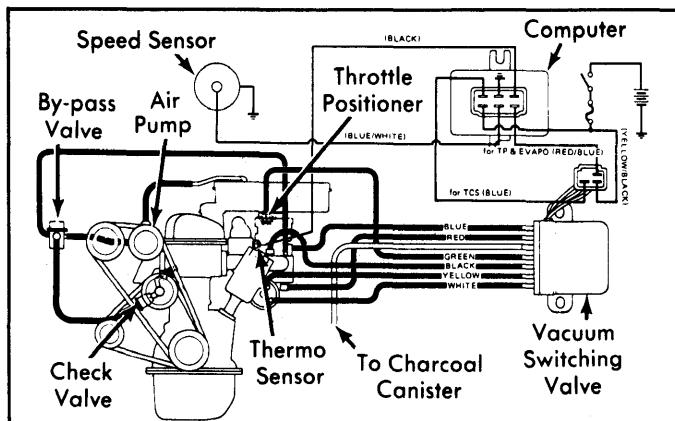
**Fig. 10: 1974-75 Fuel Evaporation System (Federal Without Vapor Separator)**



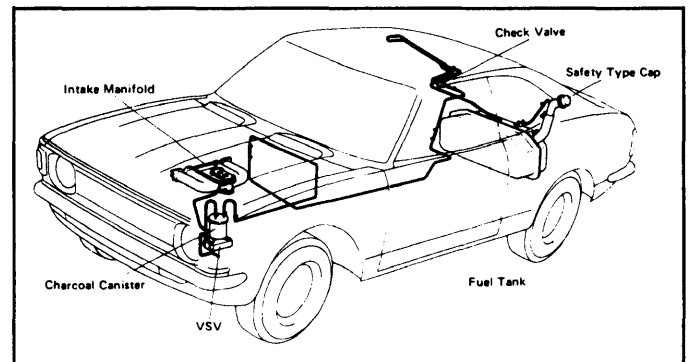
**Fig. 8: 1974 F Engine Exhaust Emission System**



**Fig. 11: 1974-75 Fuel Evaporation System (Federal With Vapor Separator)**

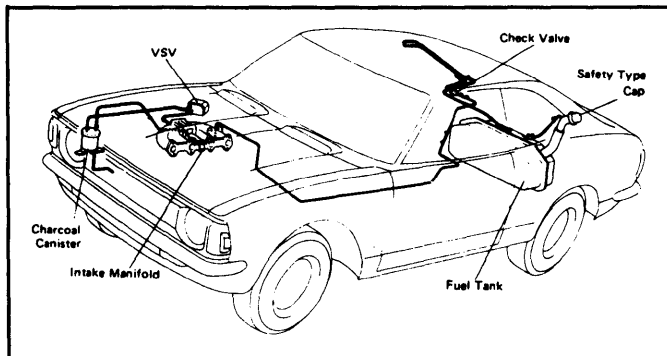


**Fig. 9: 1974 4M Engine Exhaust Emission System**

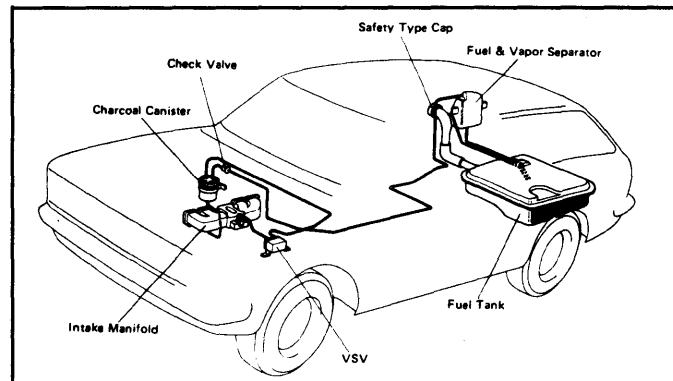


**Fig. 12: 1974-76 Corolla Sedan (3K-C Engine) Fuel Evaporation System**

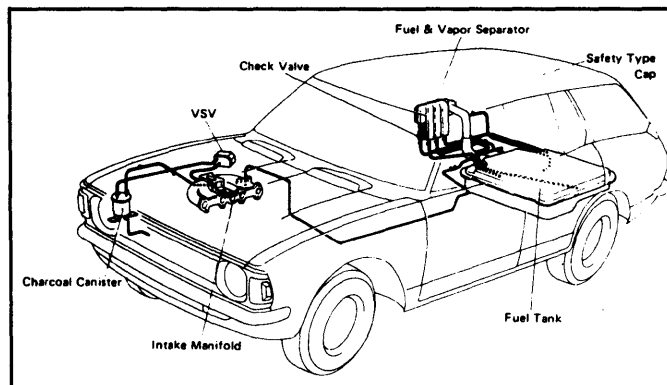
# 1974-79 EXHAUST EMISSION SYSTEMS Toyota Vacuum Diagrams (Cont.)



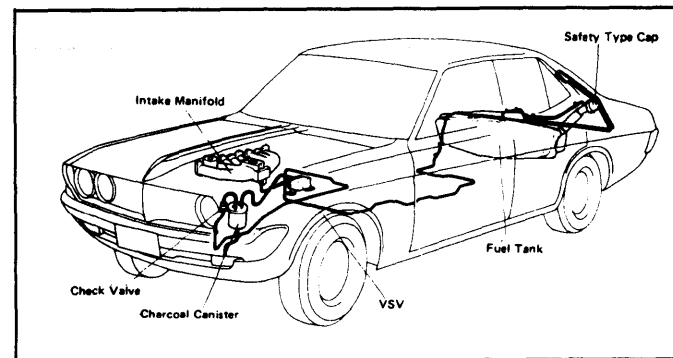
**Fig. 13: 1974-76 Corolla Sedan (2T-C Engine) Fuel Evaporation System**



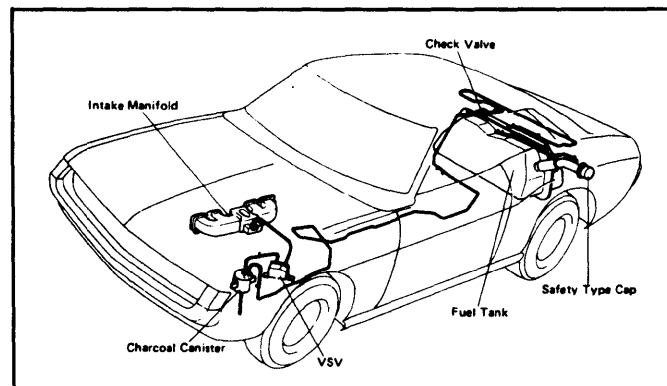
**Fig. 17: 1974-76 Corona Station Wagon (18R-C Engine) Fuel Evaporation System**



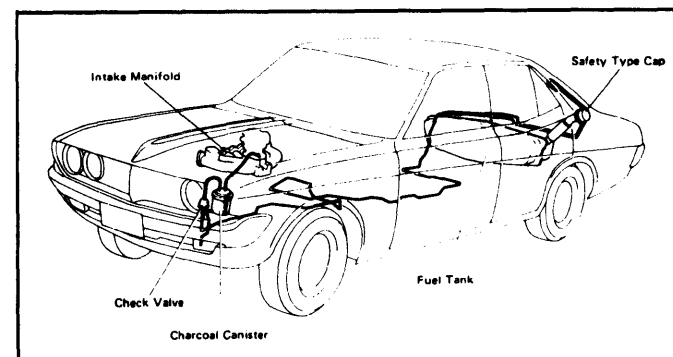
**Fig. 14: 1974-76 Corolla Station Wagon (2T-C Engine) Fuel Evaporation System**



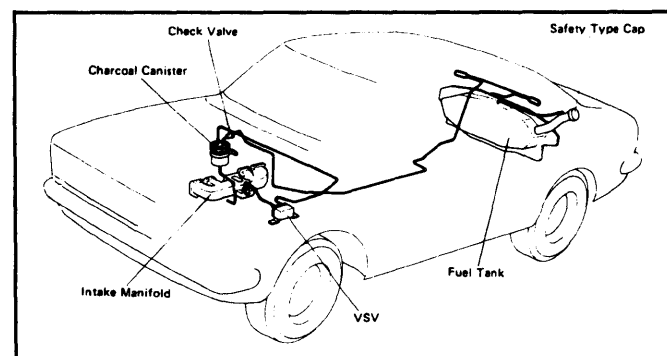
**Fig. 18: 1974-76 Corona MK II Sedan & Hardtop (4M Engine) Fuel Evaporation System (Federal)**



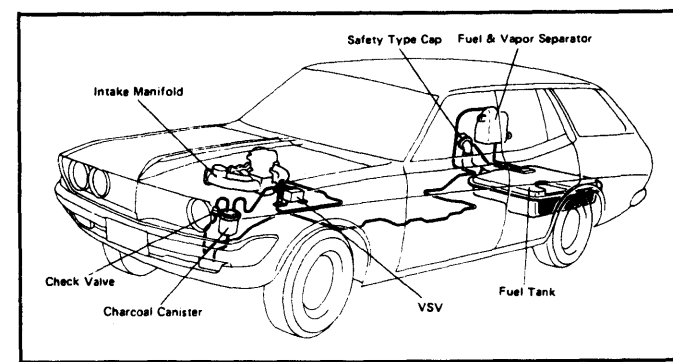
**Fig. 15: 1974-76 Celica (18R-C Engine) Fuel Evaporation System**



**Fig. 19: 1974-76 Corona MK II Sedan & Hardtop (4M Engine) Fuel Evaporation System (California)**

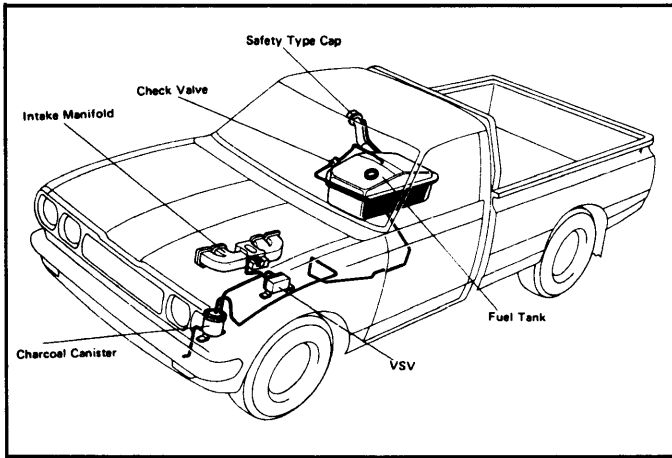


**Fig. 16: 1974-76 Corona Sedan & Hardtop (18R-C Engine) Fuel Evaporation System**

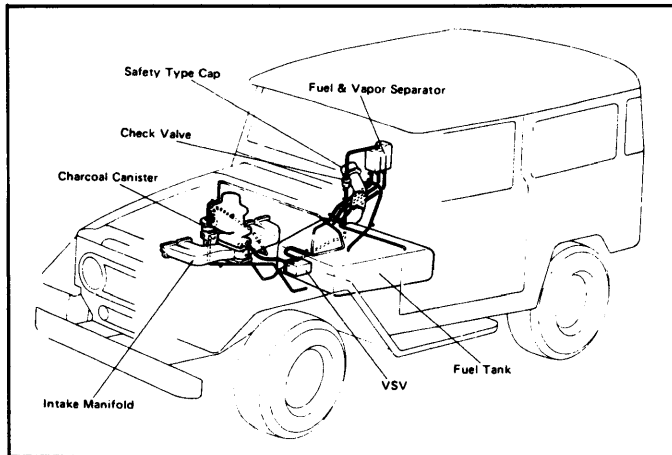


**Fig. 20: 1974-76 Corona MK II Station Wagon (4M Engine) Fuel Evaporation System**

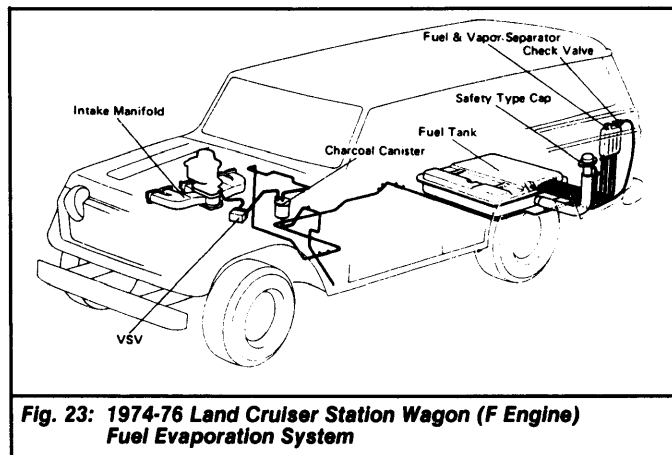
# 1974-79 EXHAUST EMISSION SYSTEMS Toyota Vacuum Diagrams (Cont.)



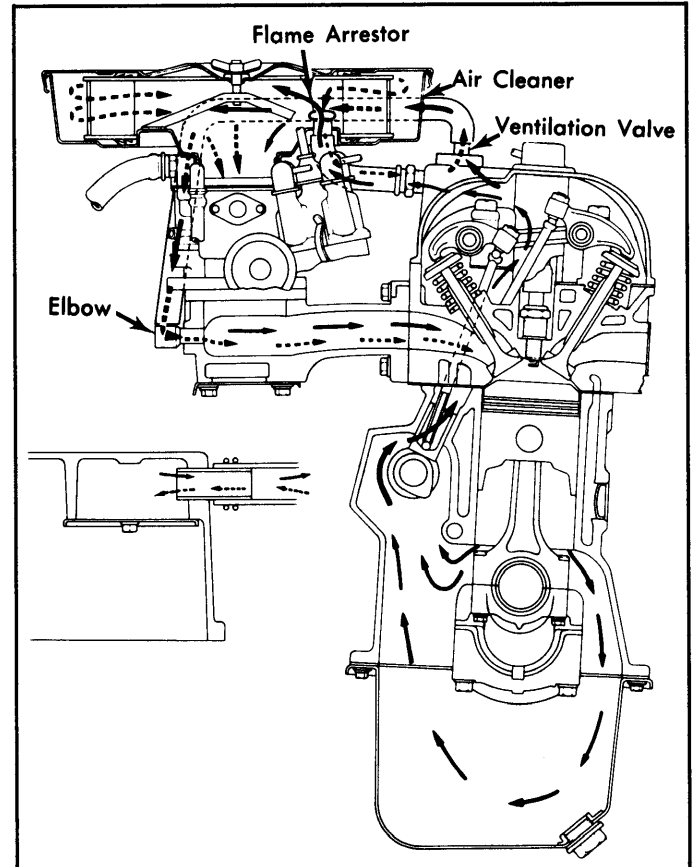
**Fig. 21: 1974-76 Hi-Lux Pickup (18R-C Engine)  
Fuel Evaporation System**



**Fig. 22: 1974-76 Land Cruiser (F Engine)  
Fuel Evaporation System**



**Fig. 23: 1974-76 Land Cruiser Station Wagon (F Engine)  
Fuel Evaporation System**



**Fig. 24: 1974-78 Corolla 1600 (2T-C Engine)  
Positive Crankcase Ventilation System**

# 1974-79 EXHAUST EMISSION SYSTEMS Toyota Vacuum Diagrams (Cont.)

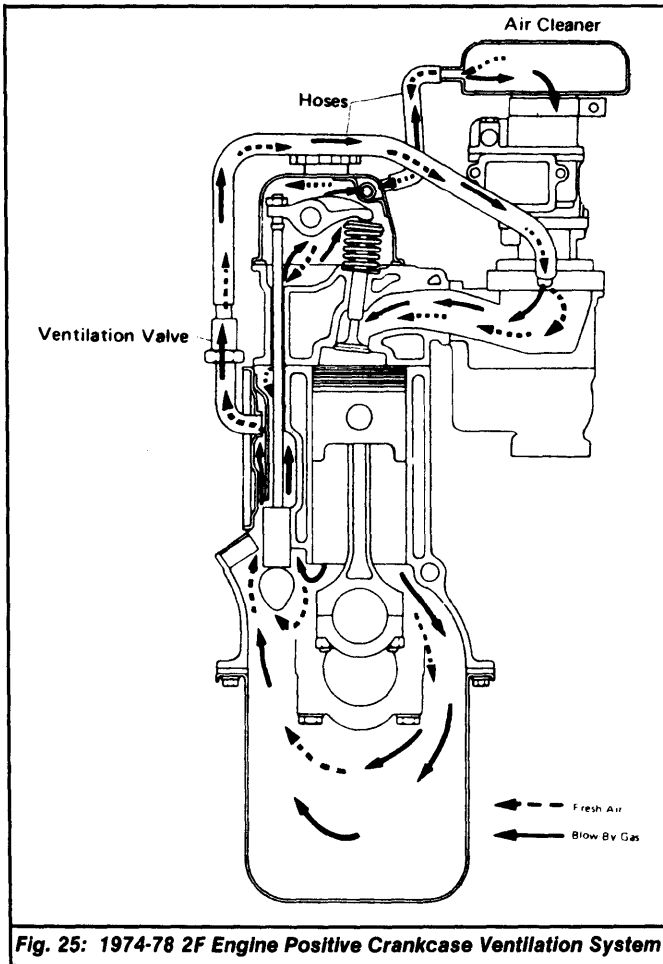


Fig. 25: 1974-78 2F Engine Positive Crankcase Ventilation System

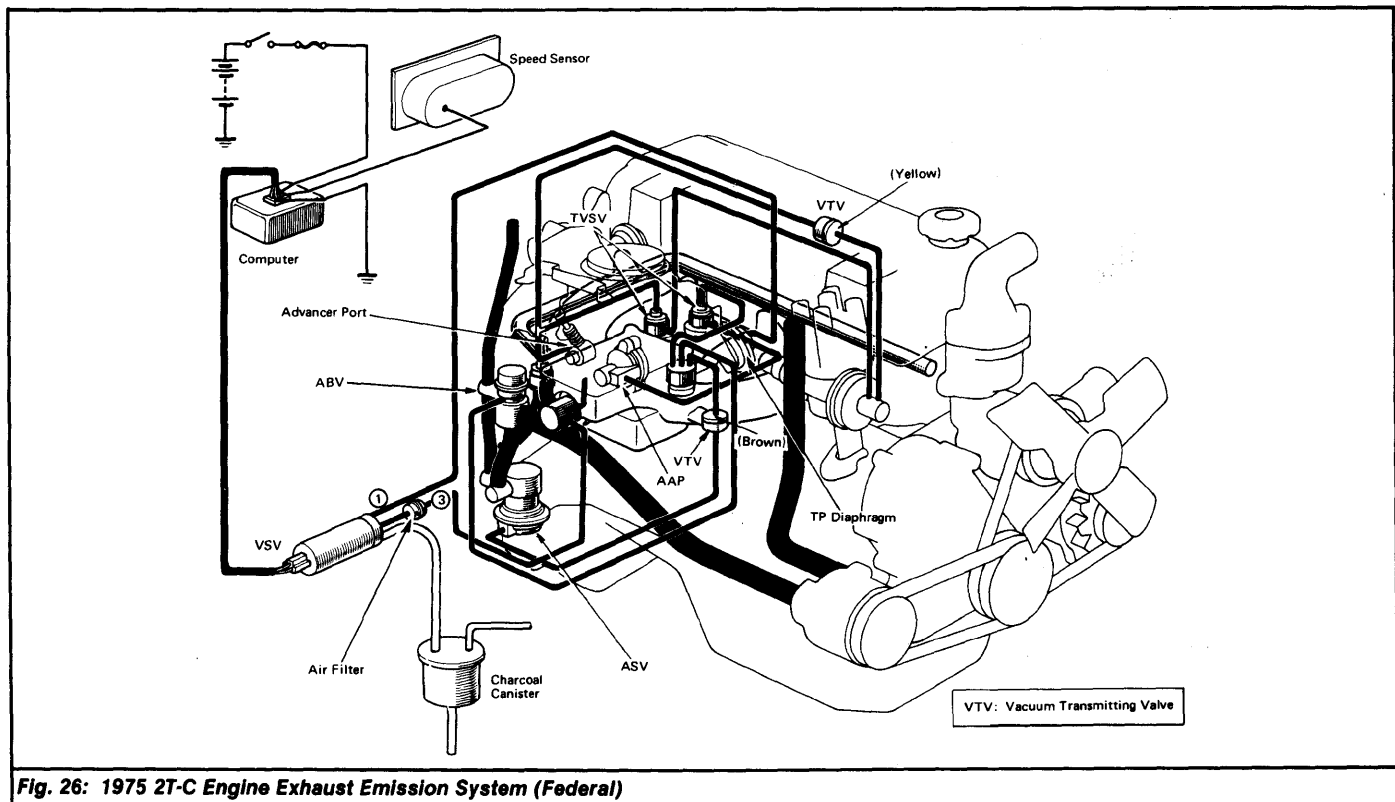
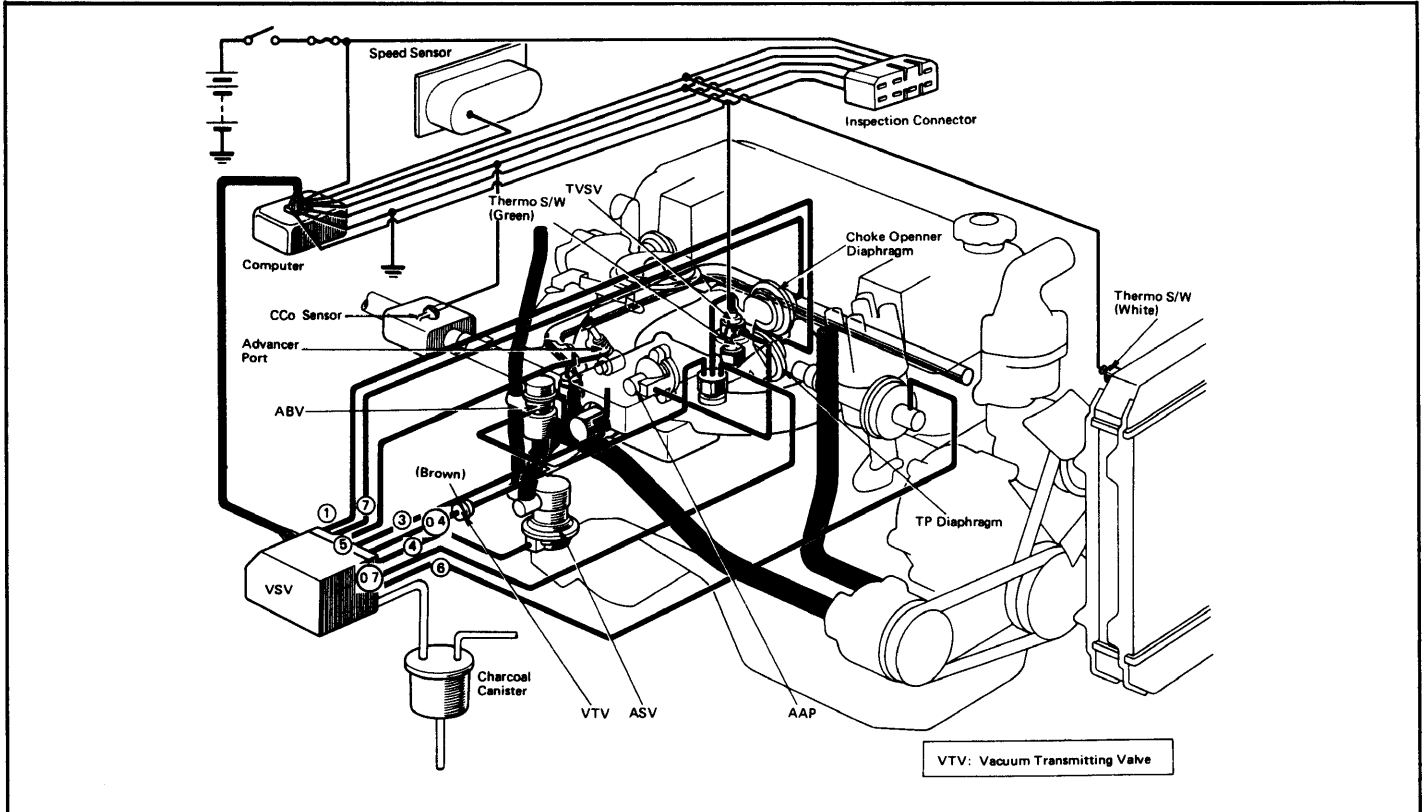
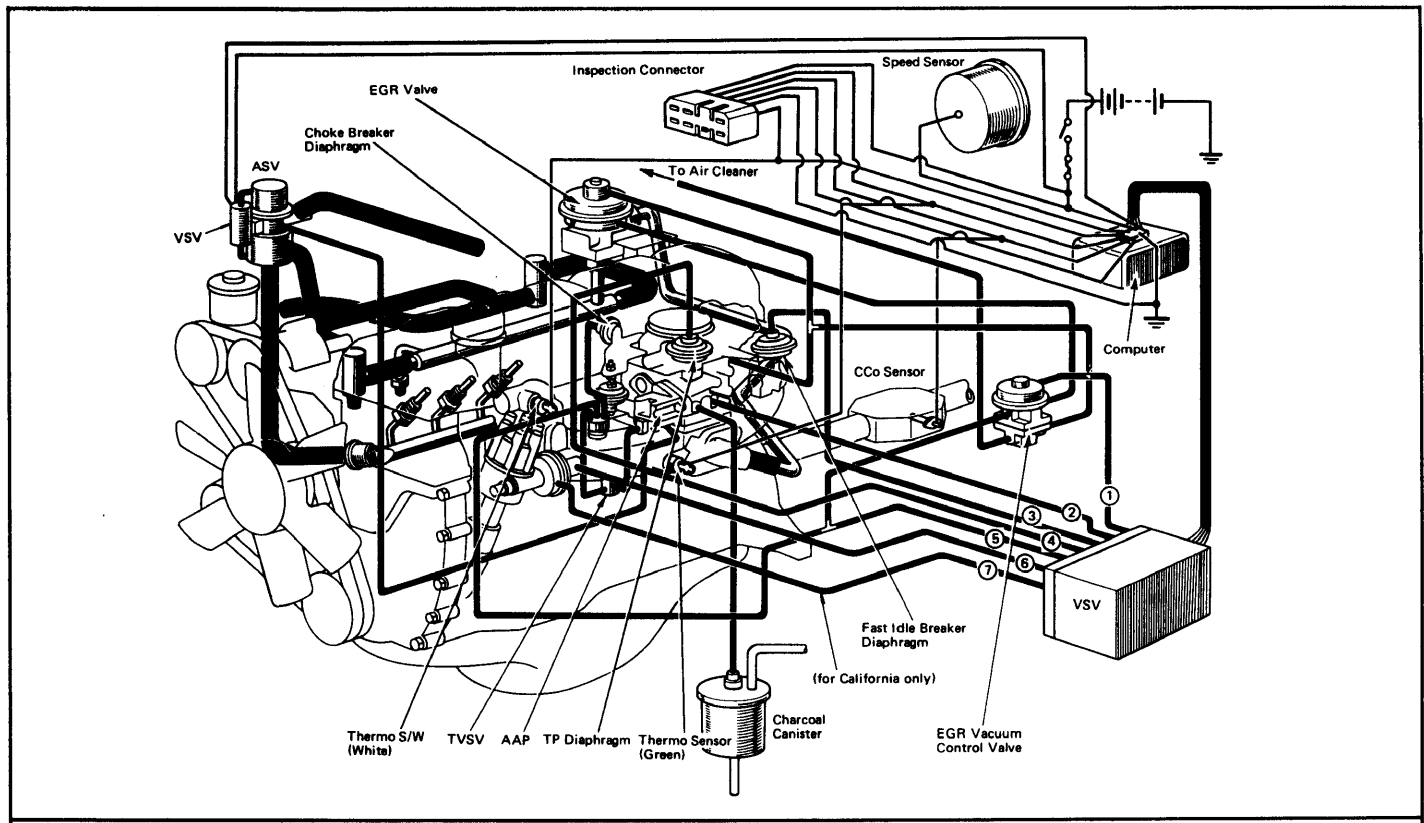


Fig. 26: 1975 2T-C Engine Exhaust Emission System (Federal)

# 1974-79 EXHAUST EMISSION SYSTEMS Toyota Vacuum Diagrams (Cont.)



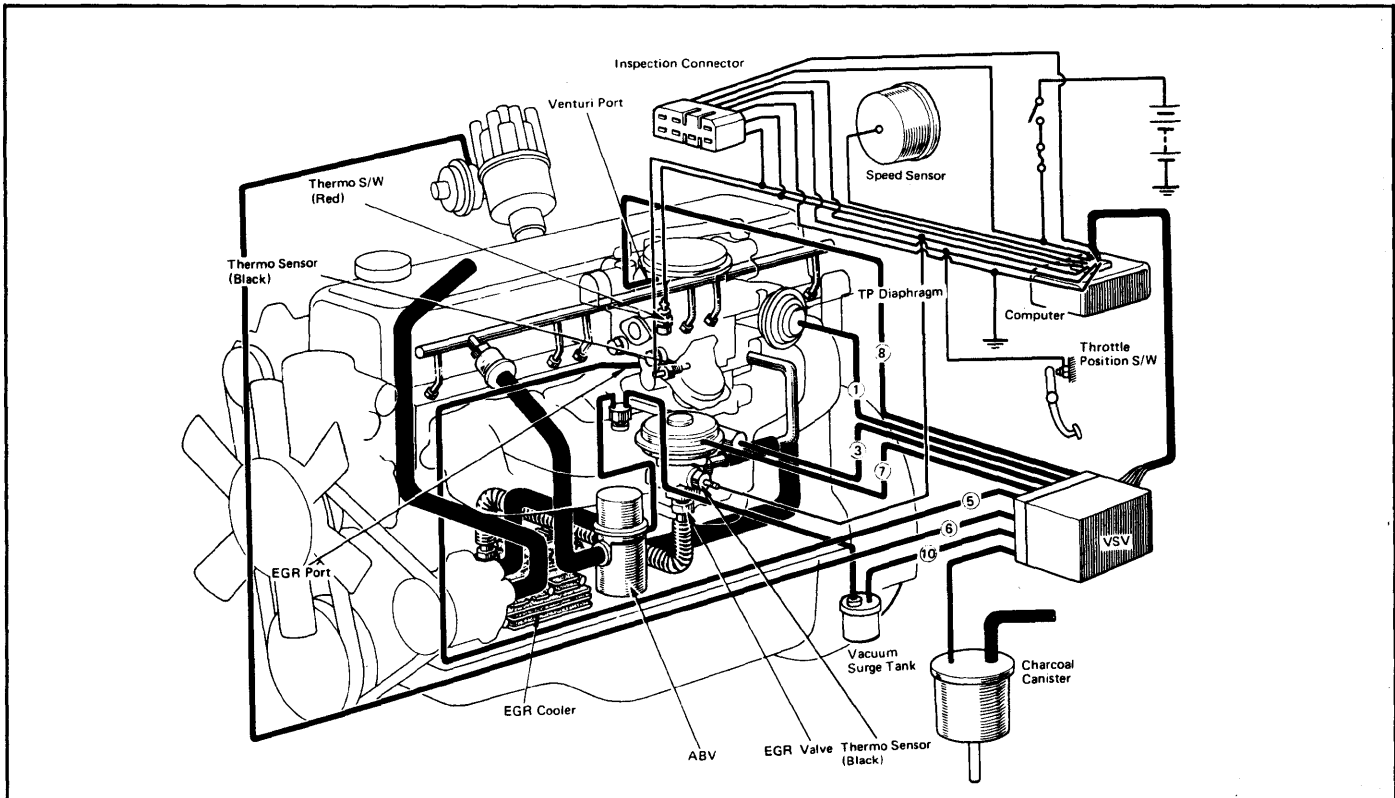
**Fig. 27: 1975 2T-C Engine Exhaust Emission System (California)**



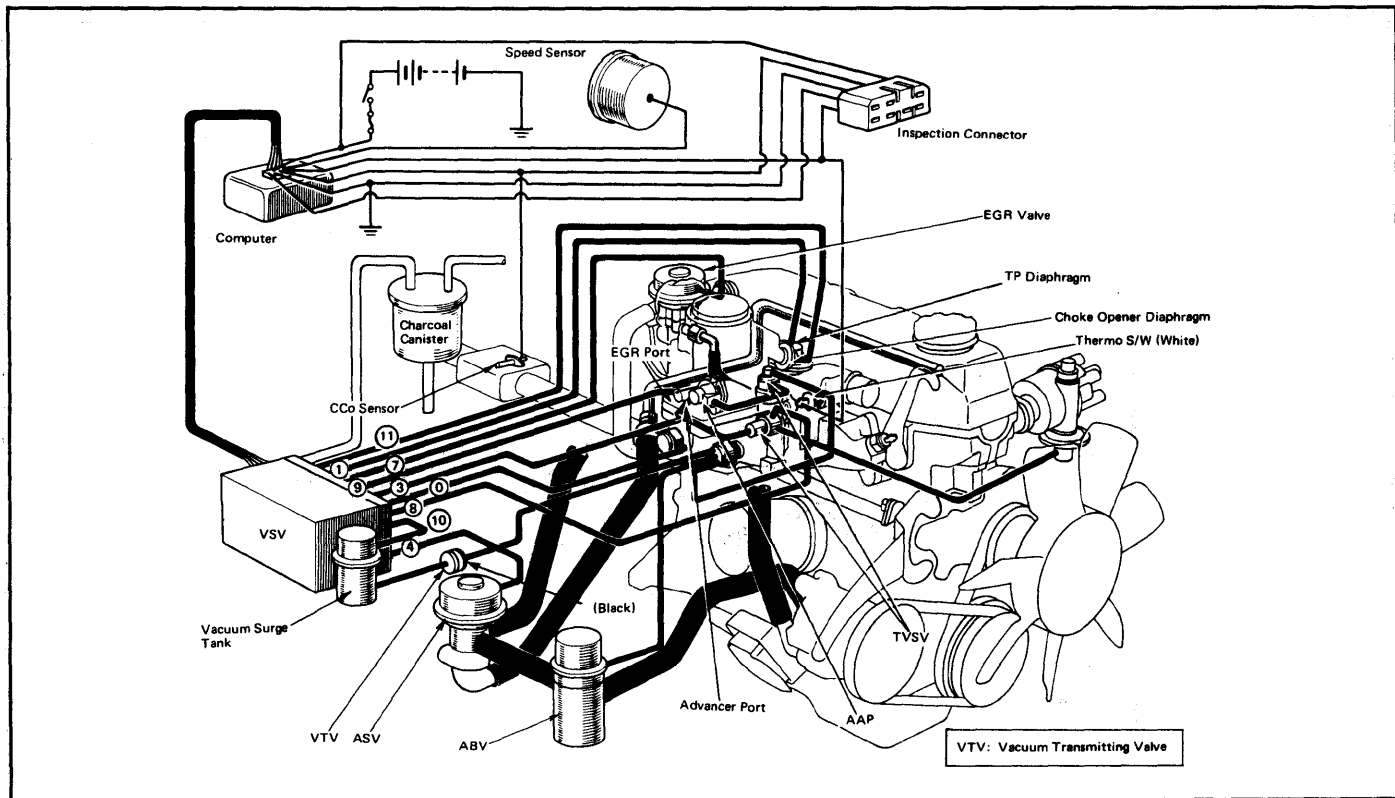
**Fig. 28: 1975 4M Engine Exhaust Emission System**

# 1974-79 EXHAUST EMISSION SYSTEMS

## Toyota Vacuum Diagrams (Cont.)

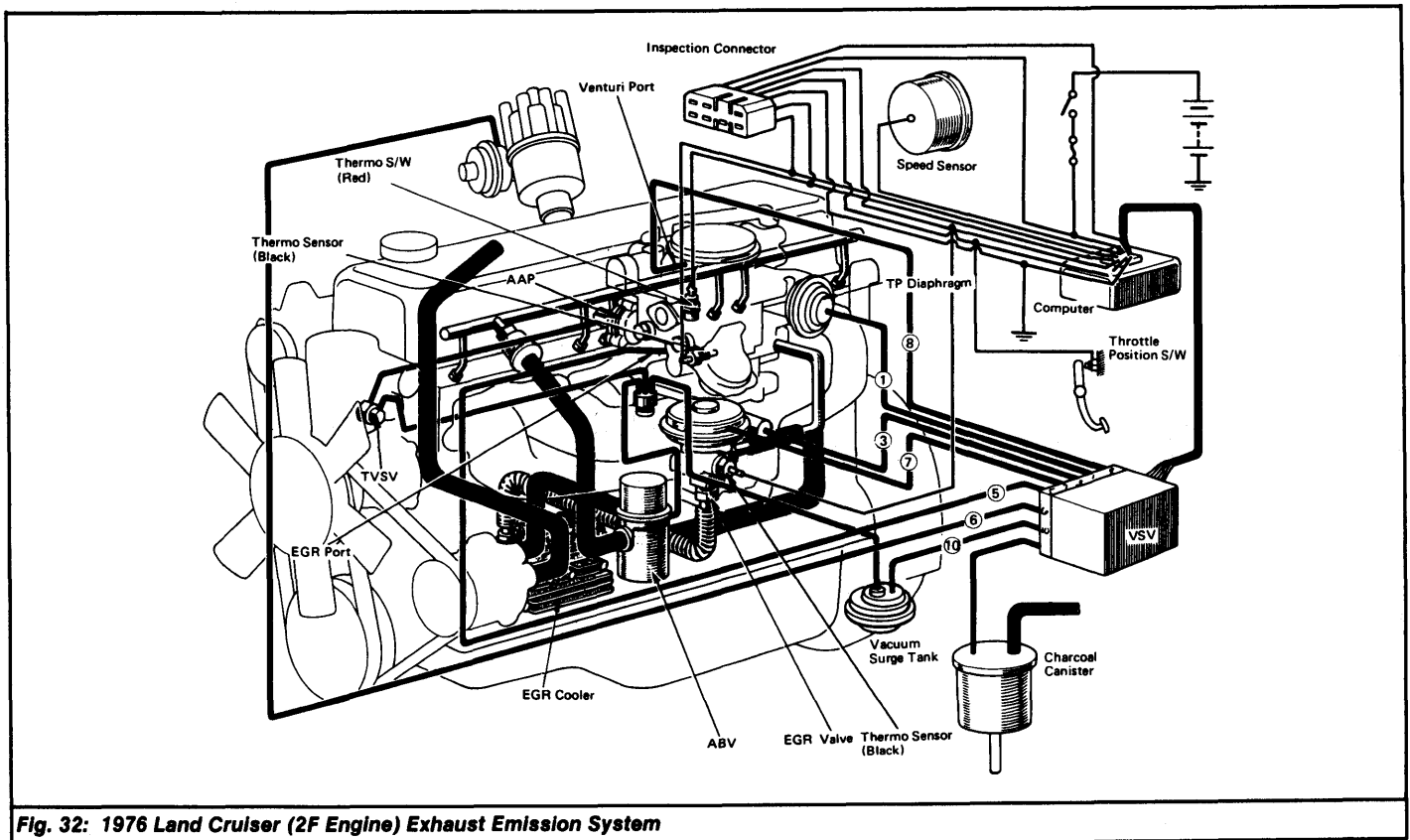
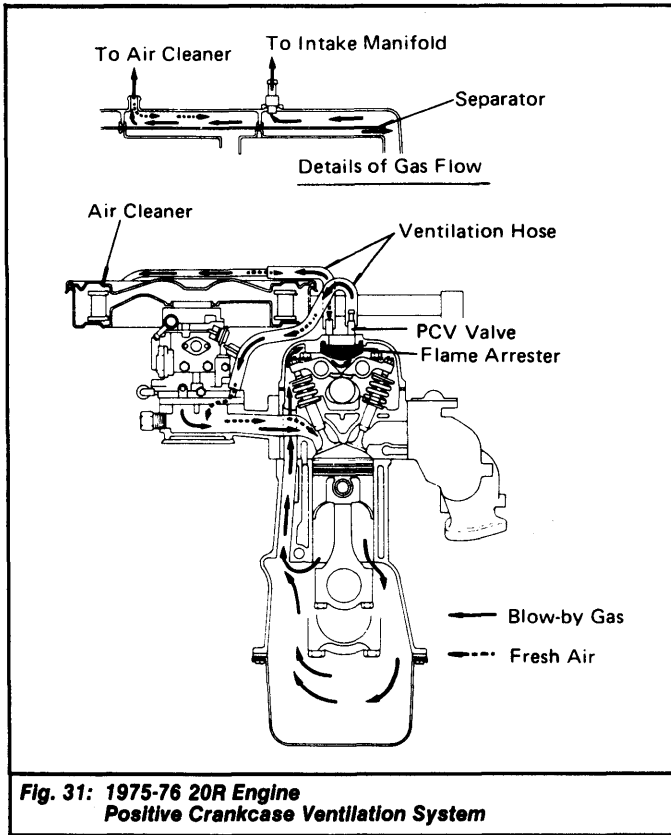


**Fig. 29: 1975 2F Engine Exhaust Emission System**

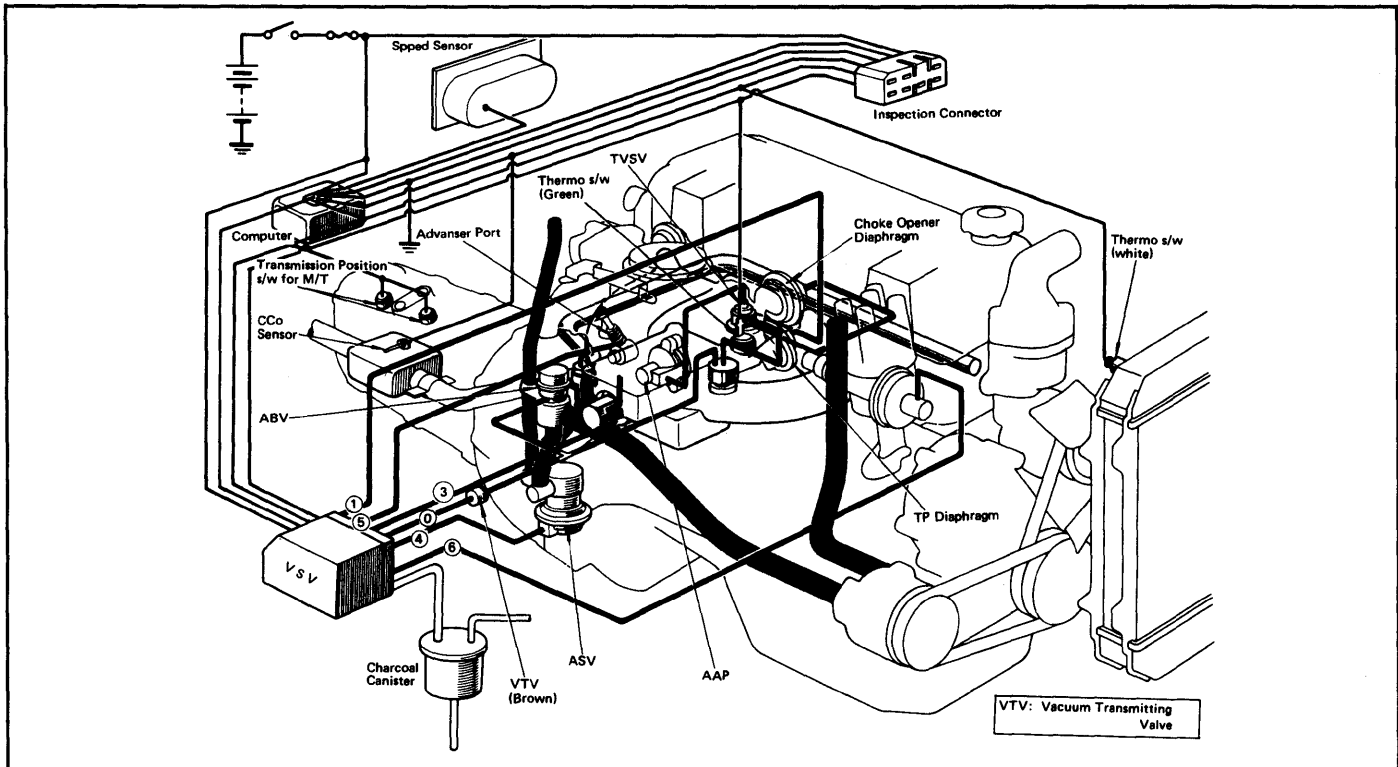


**Fig. 30: 1975 20R Engine Exhaust Emission System**

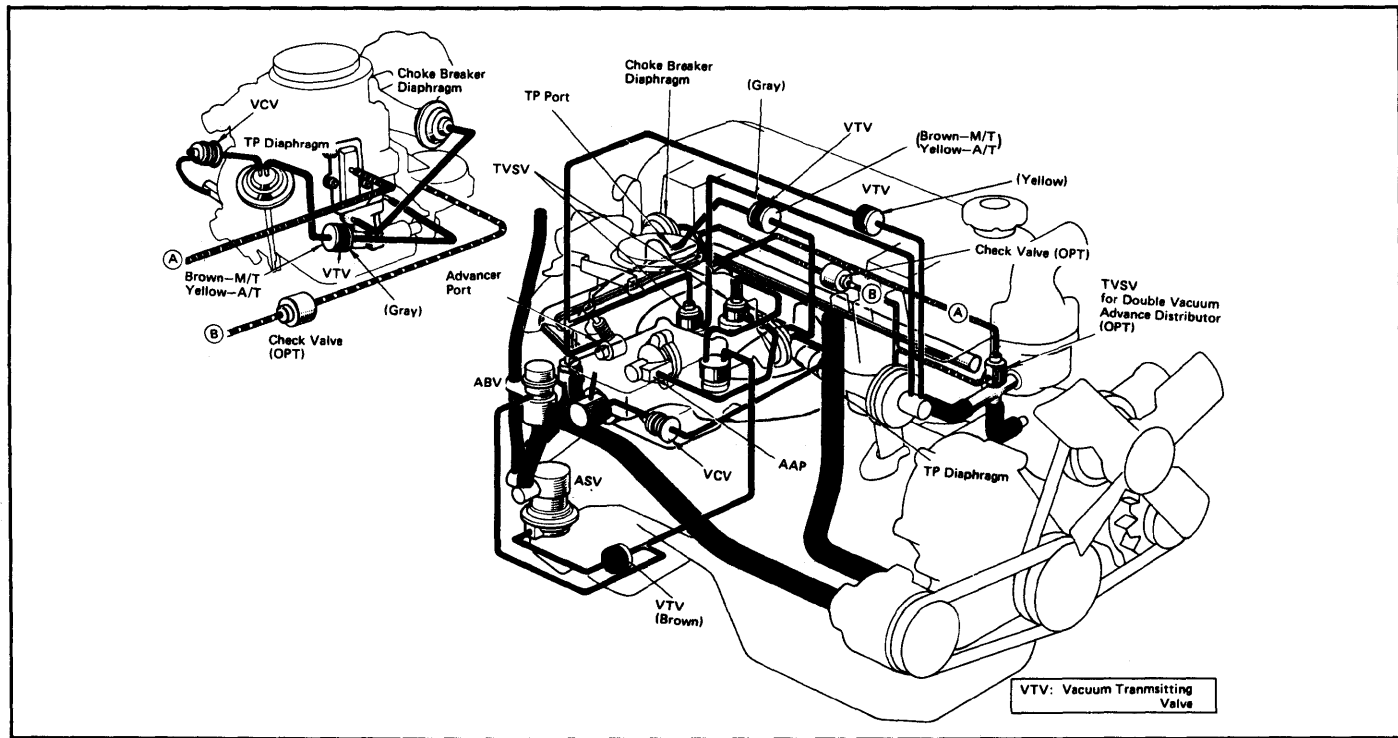
# 1974-79 EXHAUST EMISSION SYSTEMS Toyota Vacuum Diagrams (Cont.)



# 1974-79 EXHAUST EMISSION SYSTEMS Toyota Vacuum Diagrams (Cont.)

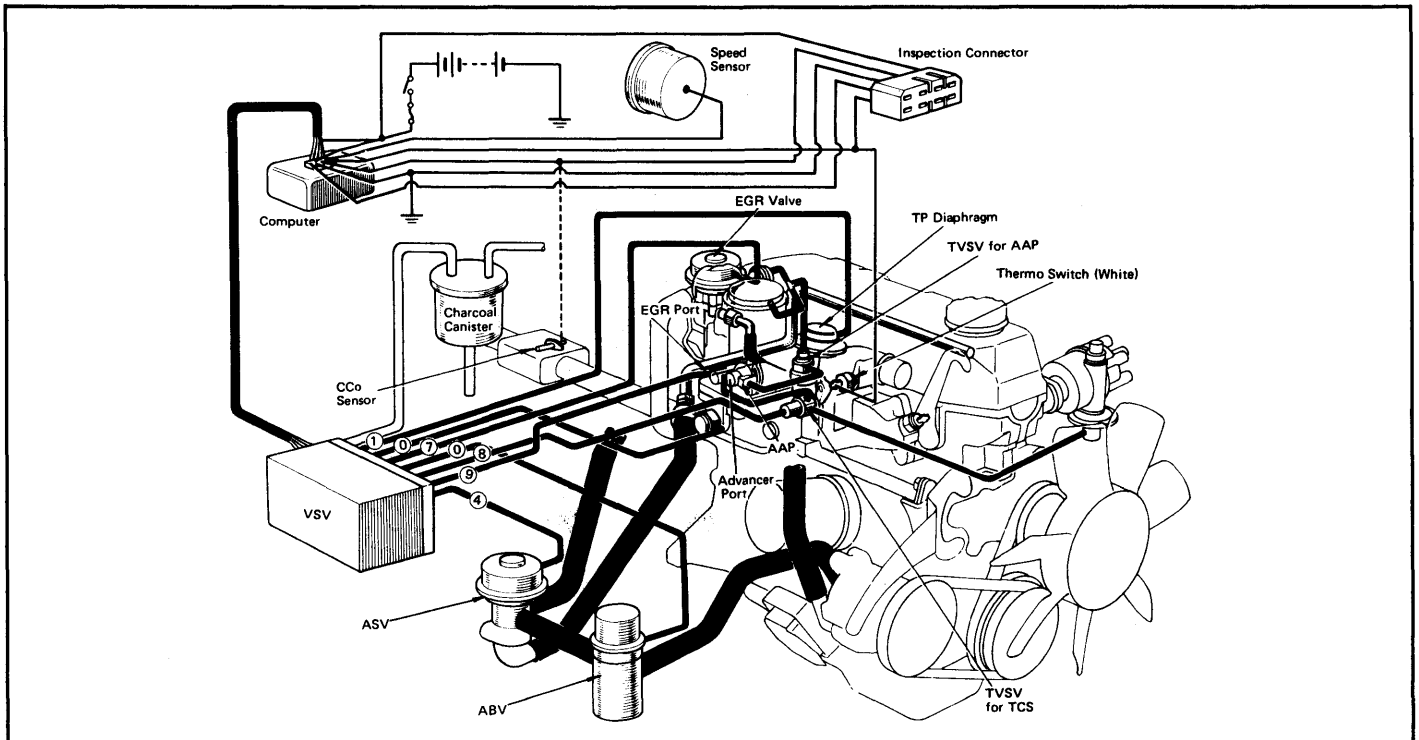


**Fig. 33: 1976 2T-C Engine Exhaust Emission System (California)**

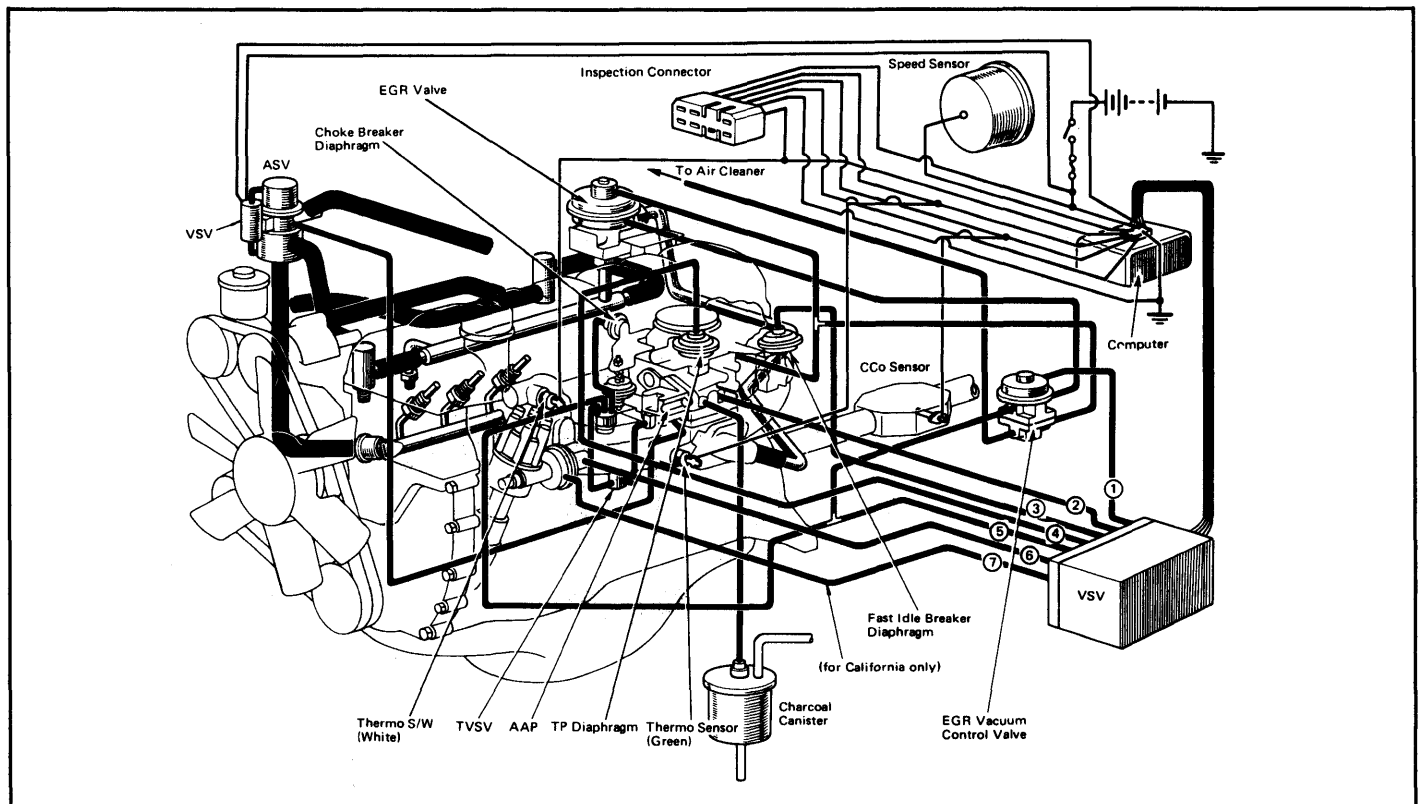


**Fig. 34: 1976 2T-C Engine Exhaust Emission System (Federal)**

# 1974-79 EXHAUST EMISSION SYSTEMS Toyota Vacuum Diagrams (Cont.)

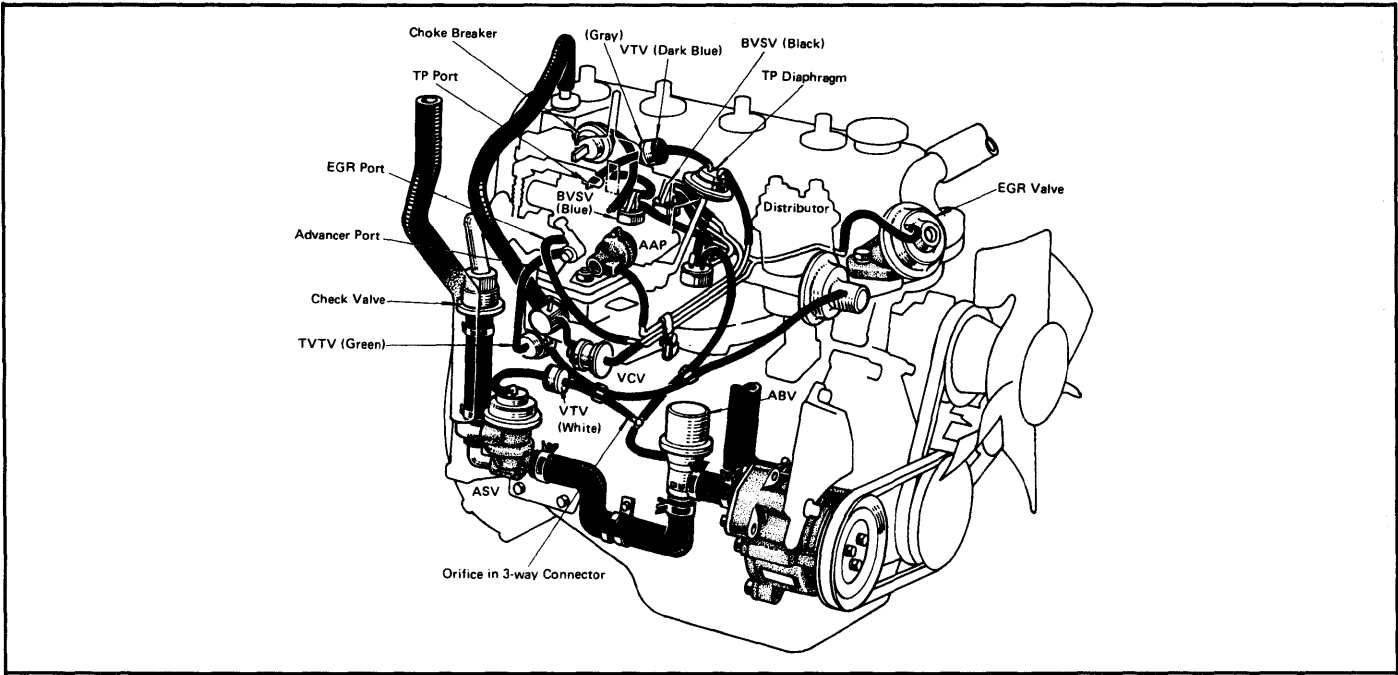


**Fig. 35: 1976 20R Engine Exhaust Emission System**

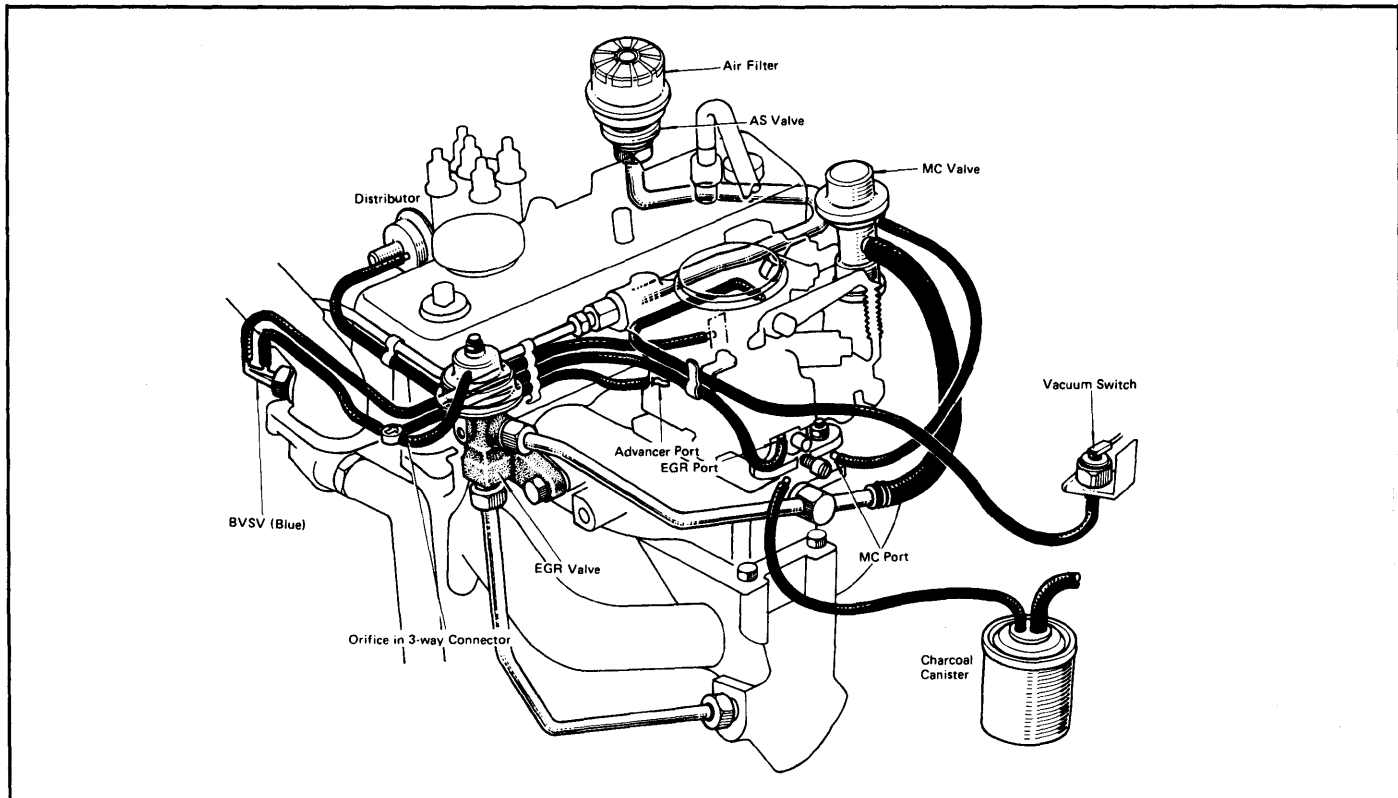


**Fig. 36: 1976 4M Engine Exhaust Emission System**

# 1974-79 EXHAUST EMISSION SYSTEMS Toyota Vacuum Diagrams (Cont.)

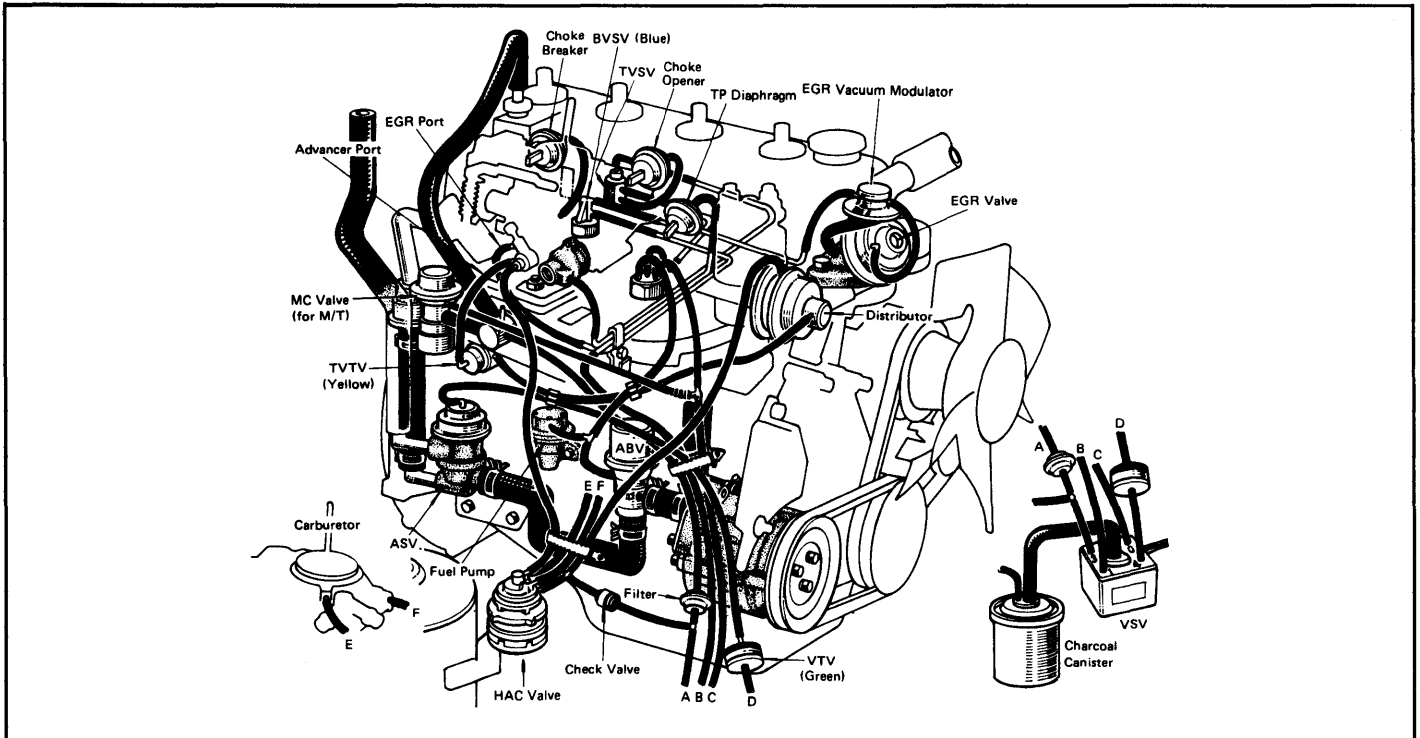


**Fig. 37: 1977 2T-C Engine Exhaust Emission System (Federal)**

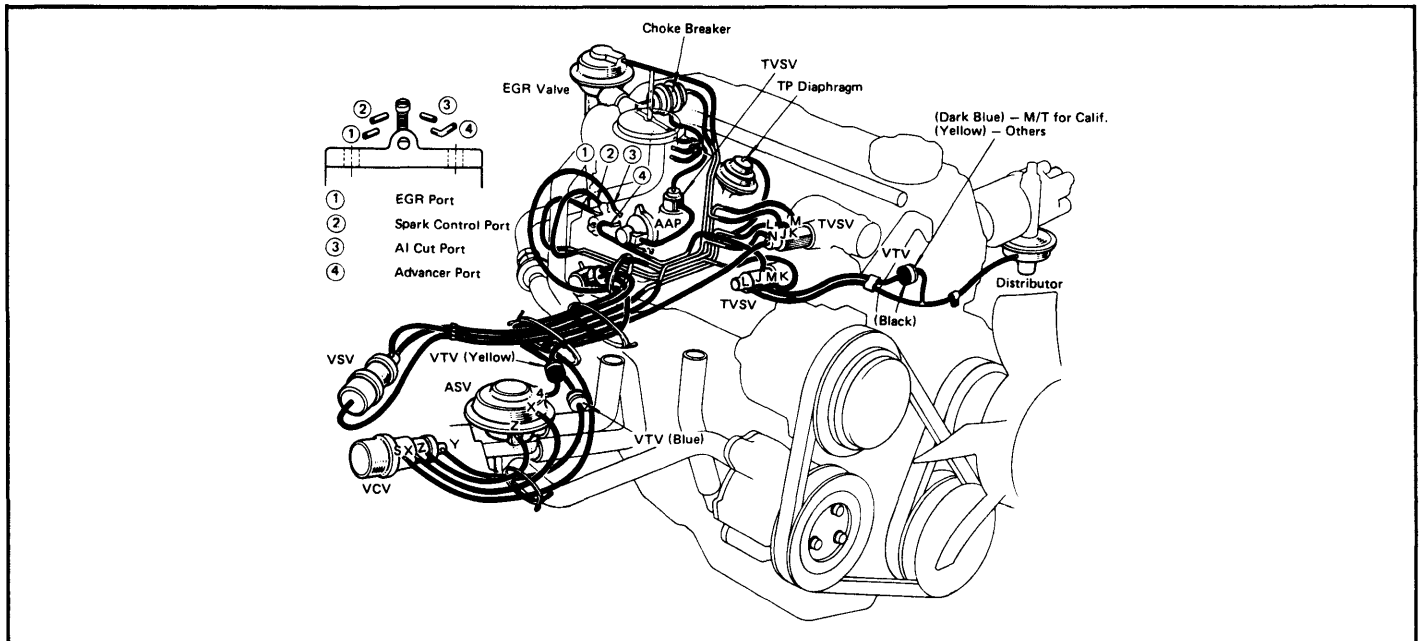


**Fig. 38: 1977 3K-C Engine Exhaust Emission System**

# 1974-79 EXHAUST EMISSION SYSTEMS Toyota Vacuum Diagrams (Cont.)



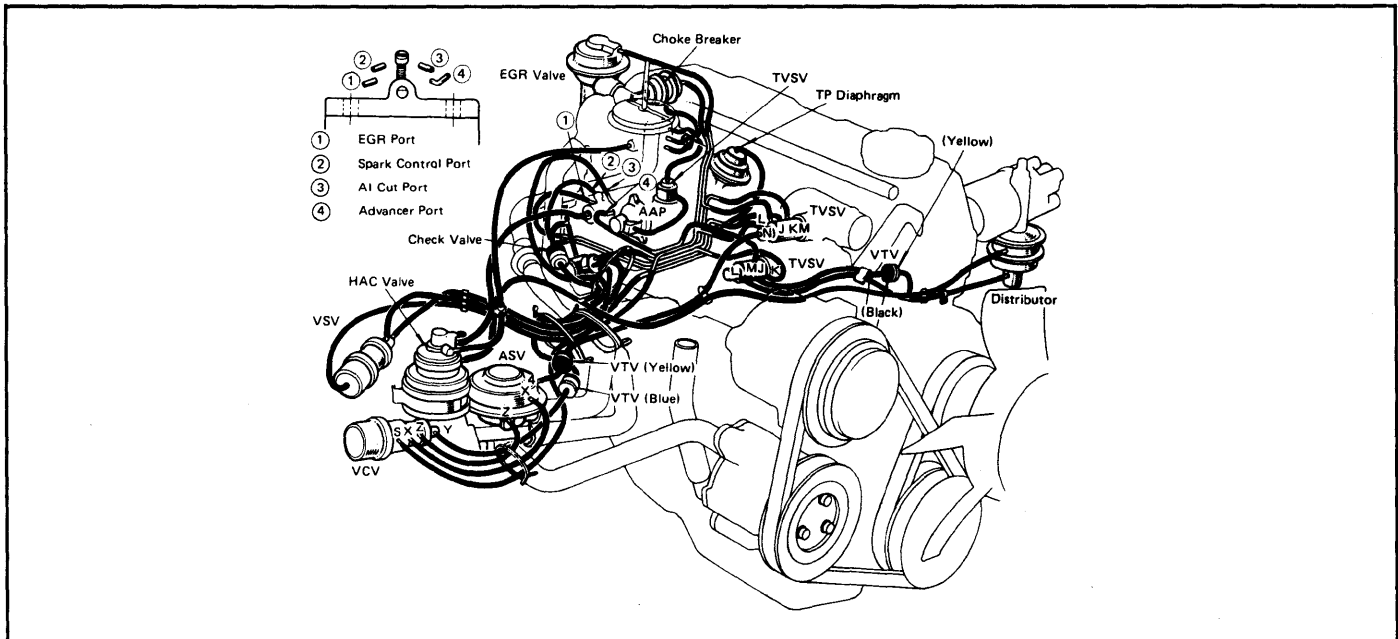
**Fig. 39: 1977 2T-C Engine Exhaust Emission System (High Altitude)**



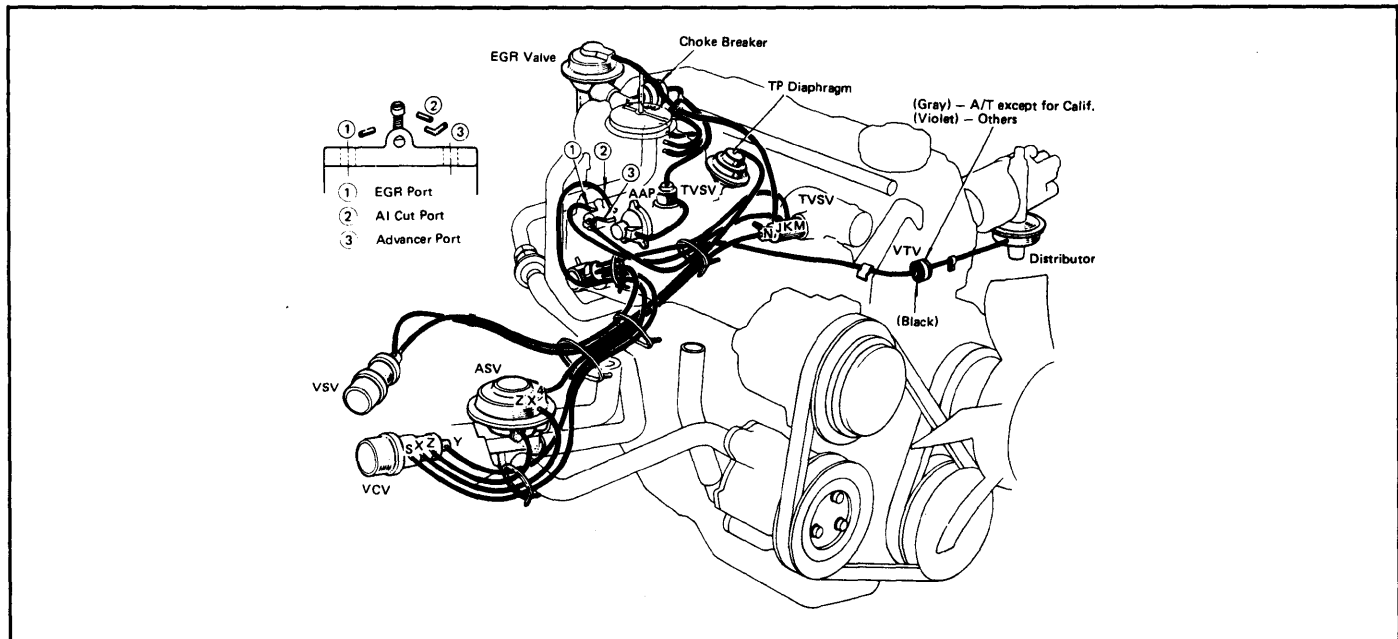
**Fig. 40: 1977 Celica & Corona (20R Engine) Exhaust Emission System (Except High Altitude)**

# 1974-79 EXHAUST EMISSION SYSTEMS

## Toyota Vacuum Diagrams (Cont.)



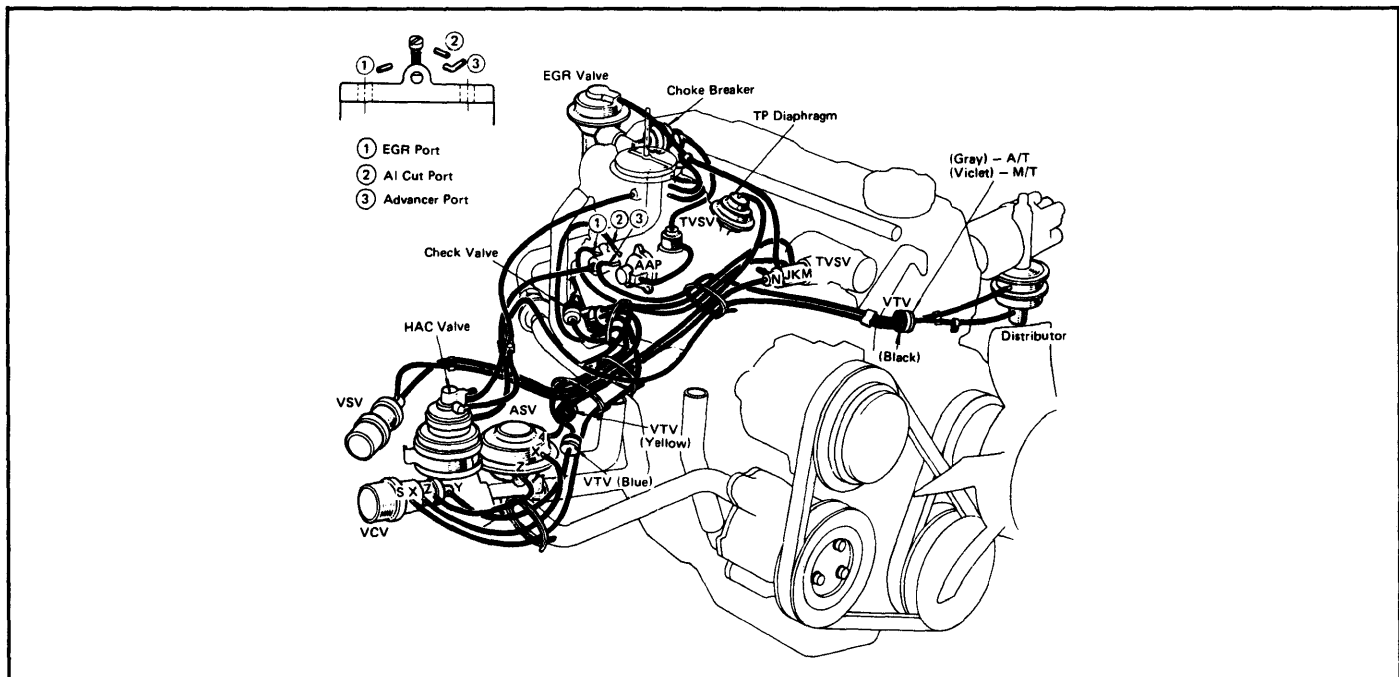
**Fig. 41: 1977 Celica & Corona (20R Engine) Exhaust Emission System (High Altitude)**



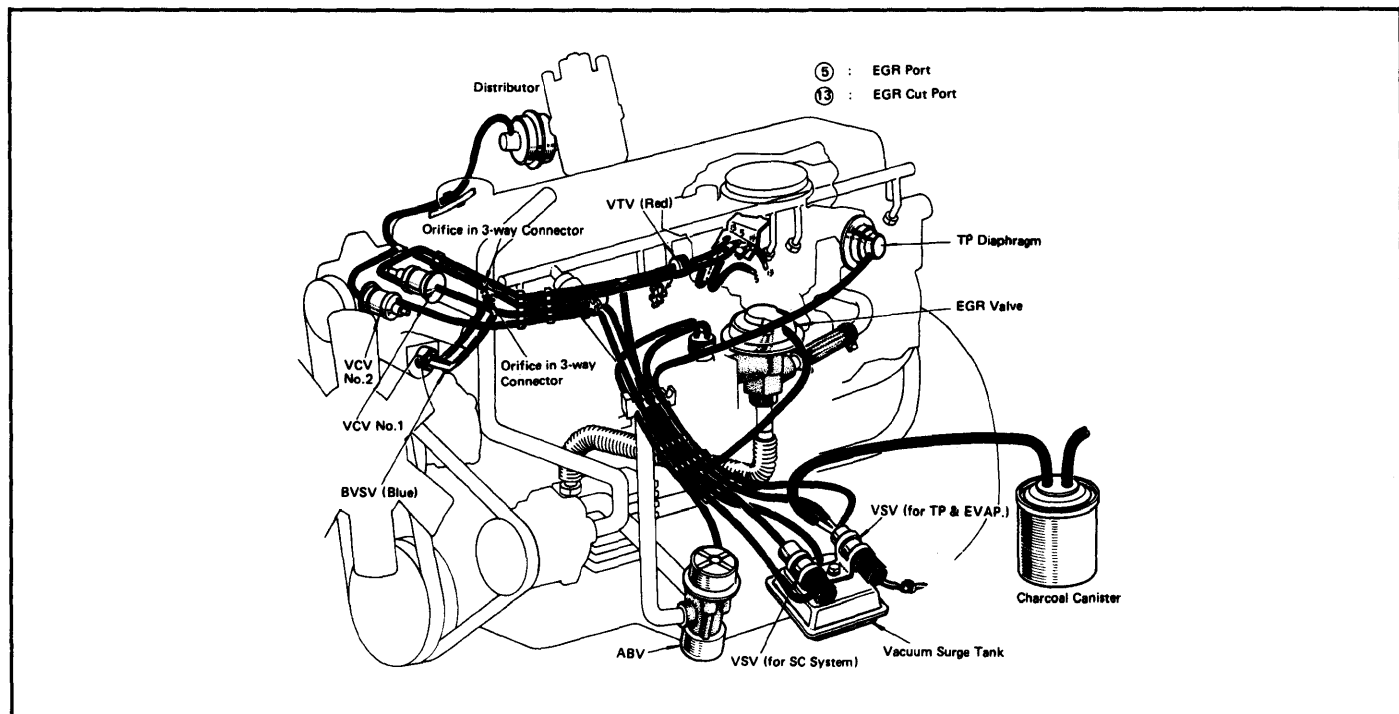
**Fig. 42: 1977 Pickup (20R Engine) Exhaust Emission System (Except High Altitude)**



# 1974-79 EXHAUST EMISSION SYSTEMS Toyota Vacuum Diagrams (Cont.)

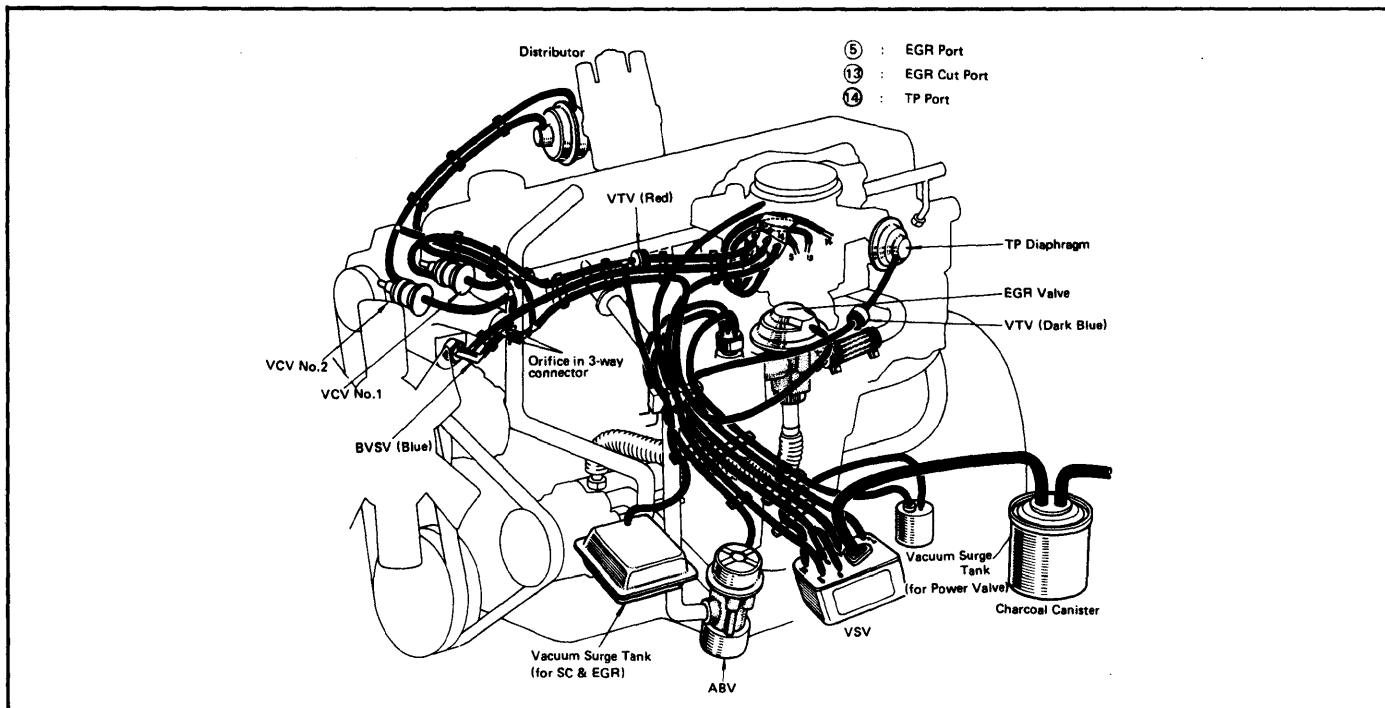


**Fig. 45: 1977 Pickup (20R Engine) Exhaust Emission System (High Altitude)**

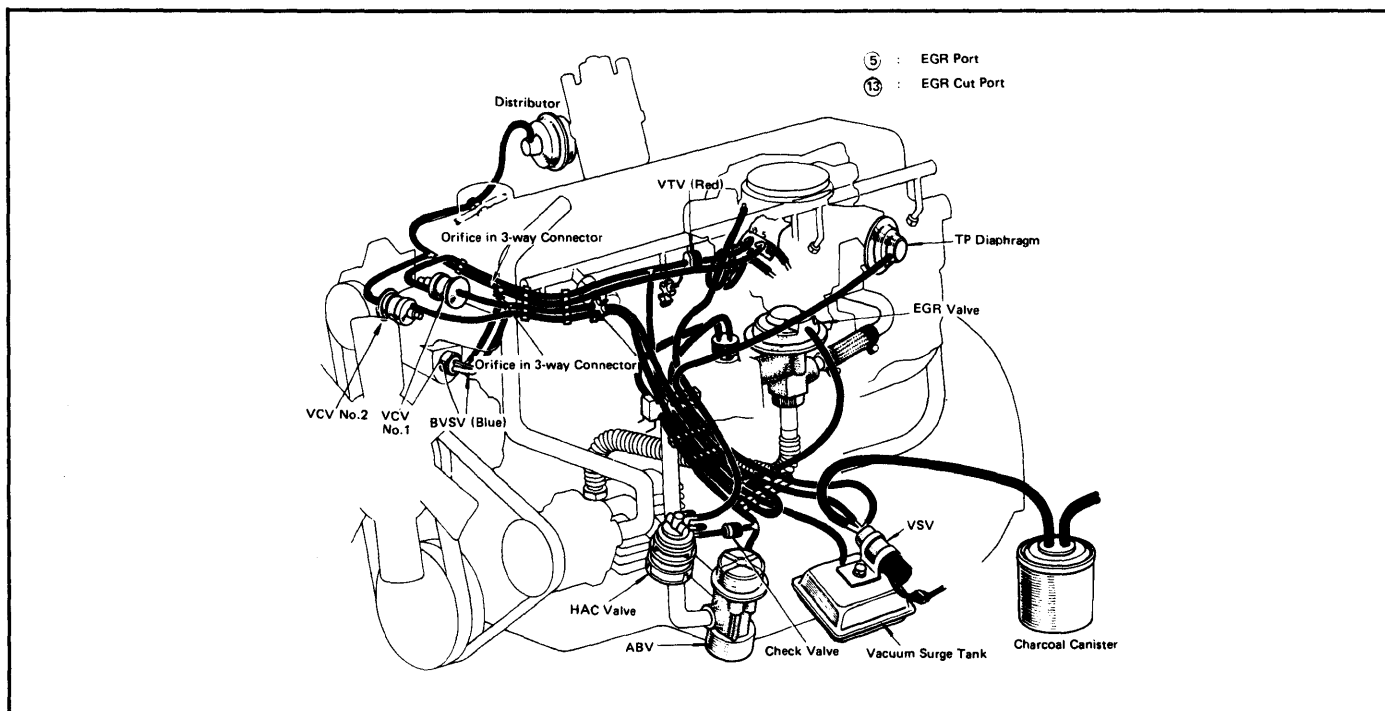


**Fig. 46: 1977 Land Cruiser (2F Engine) Exhaust Emission System (Federal)**

# 1974-79 EXHAUST EMISSION SYSTEMS Toyota Vacuum Diagrams (Cont.)



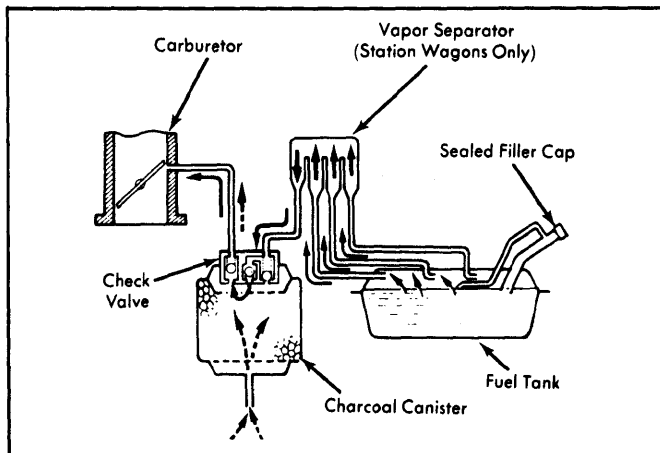
**Fig. 47: 1977 Land Cruiser (2F Engine) Exhaust Emission System (California)**



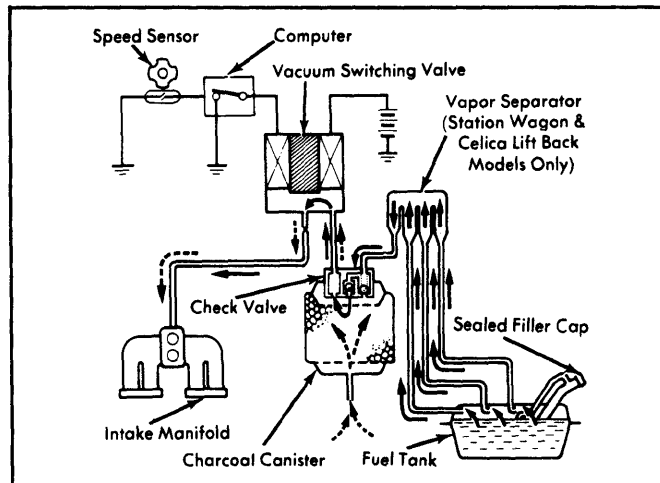
**Fig. 48: 1977 Land Cruiser (2F Engine) Exhaust Emission System (High Altitude)**

# 1974-79 EXHAUST EMISSION SYSTEMS

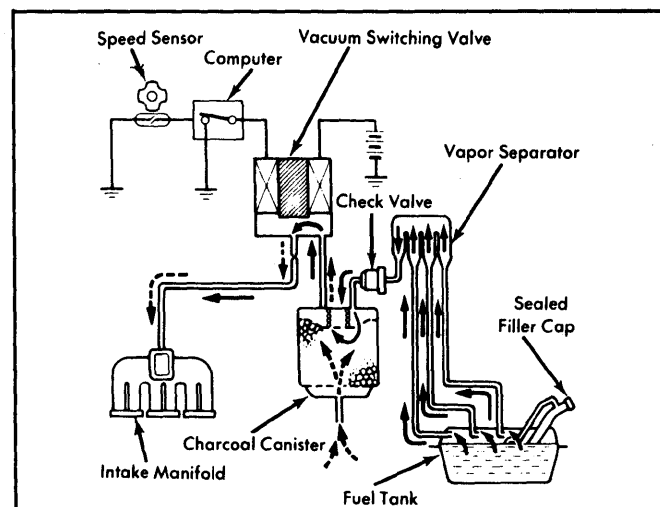
## Toyota Vacuum Diagrams (Cont.)



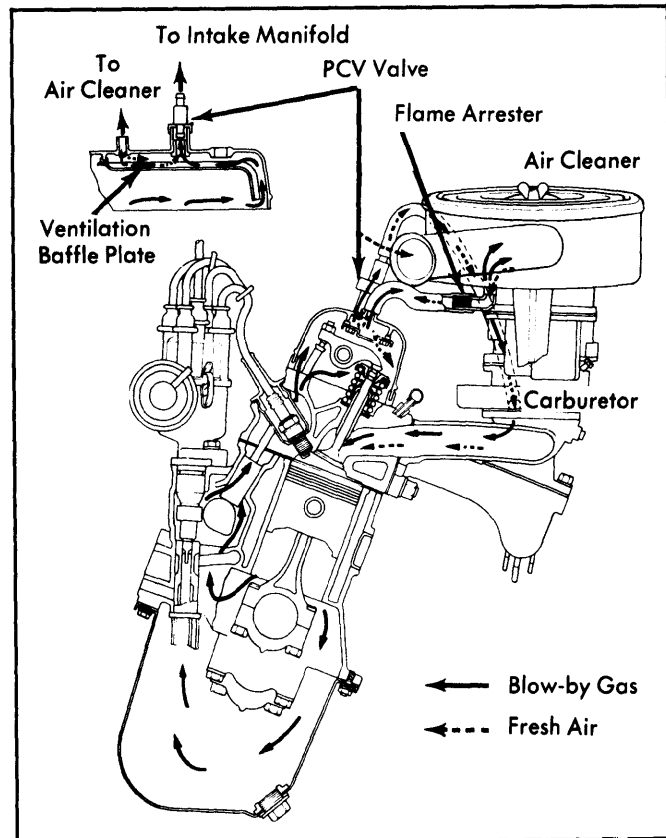
**Fig. 49: 1977 Corolla Fuel Evaporation System (Federal)**



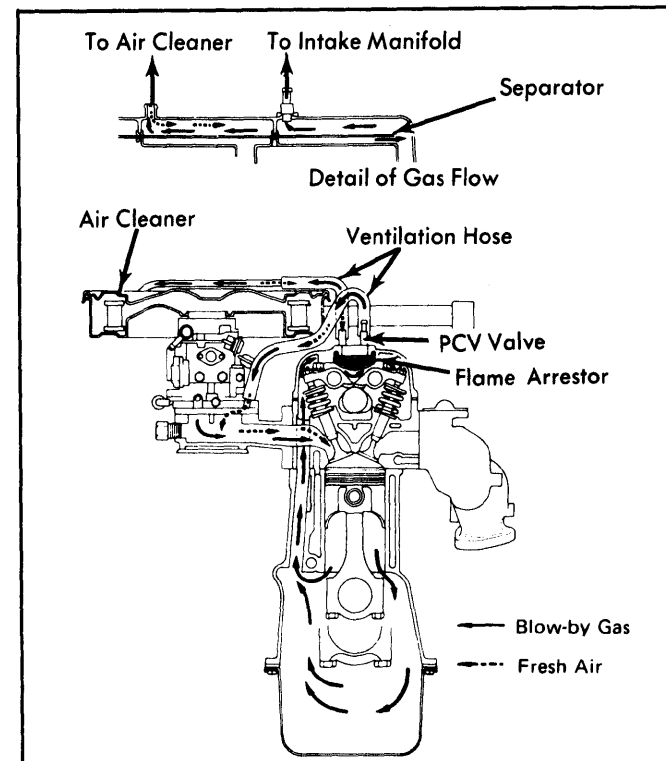
**Fig. 50: 1977 Corona, Celica, Pickup Fuel Evaporation System (California Corolla)**



**Fig. 51: 1977-78 Land Cruiser Fuel Evaporation System**



**Fig. 52: 1977-78 Corolla 1300 (3K-C Engine) Positive Crankcase Ventilation System**



**Fig. 53: 1977-78 20R Engine Positive Crankcase Ventilation System**

# 1974-79 EXHAUST EMISSION SYSTEMS

## Toyota Vacuum Diagrams (Cont.)

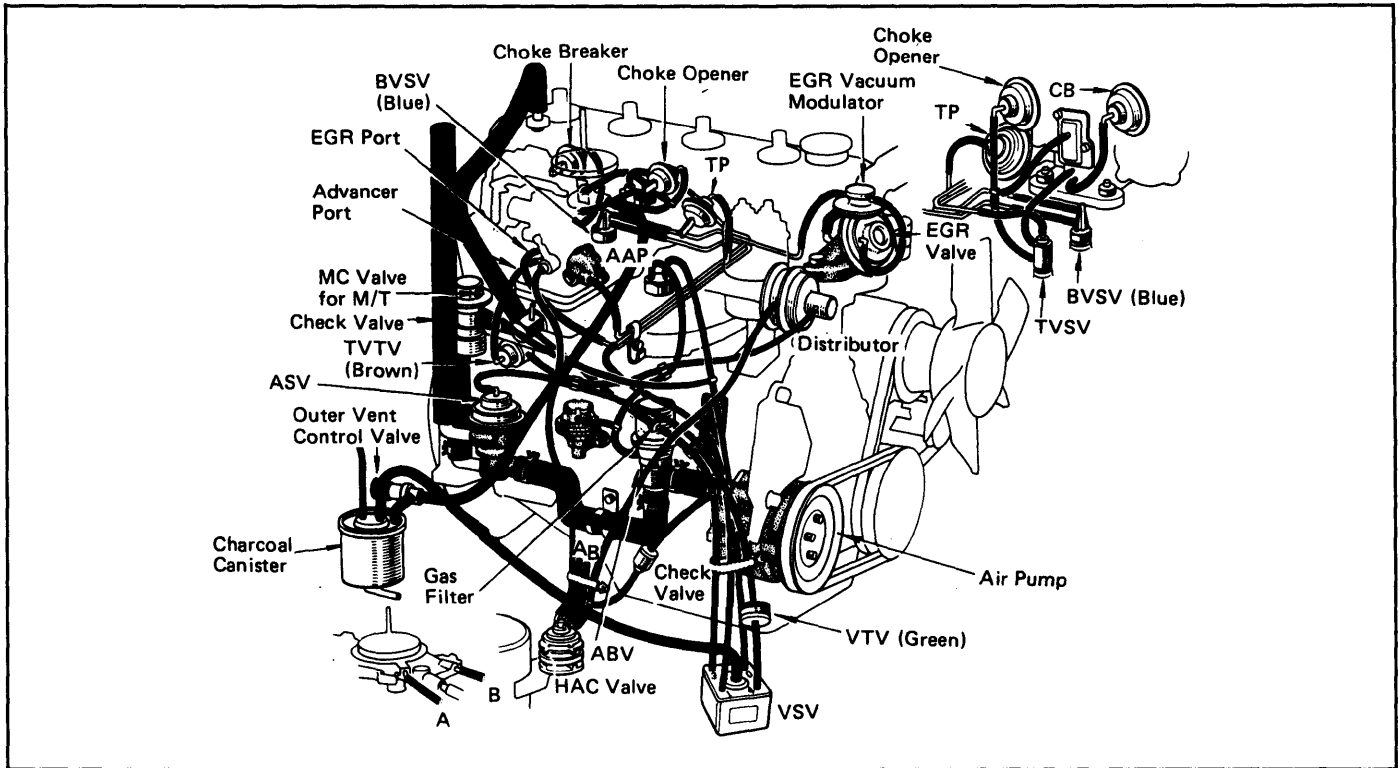


Fig. 54: 1978 2T-C Engine Exhaust Emission System (High Altitude)

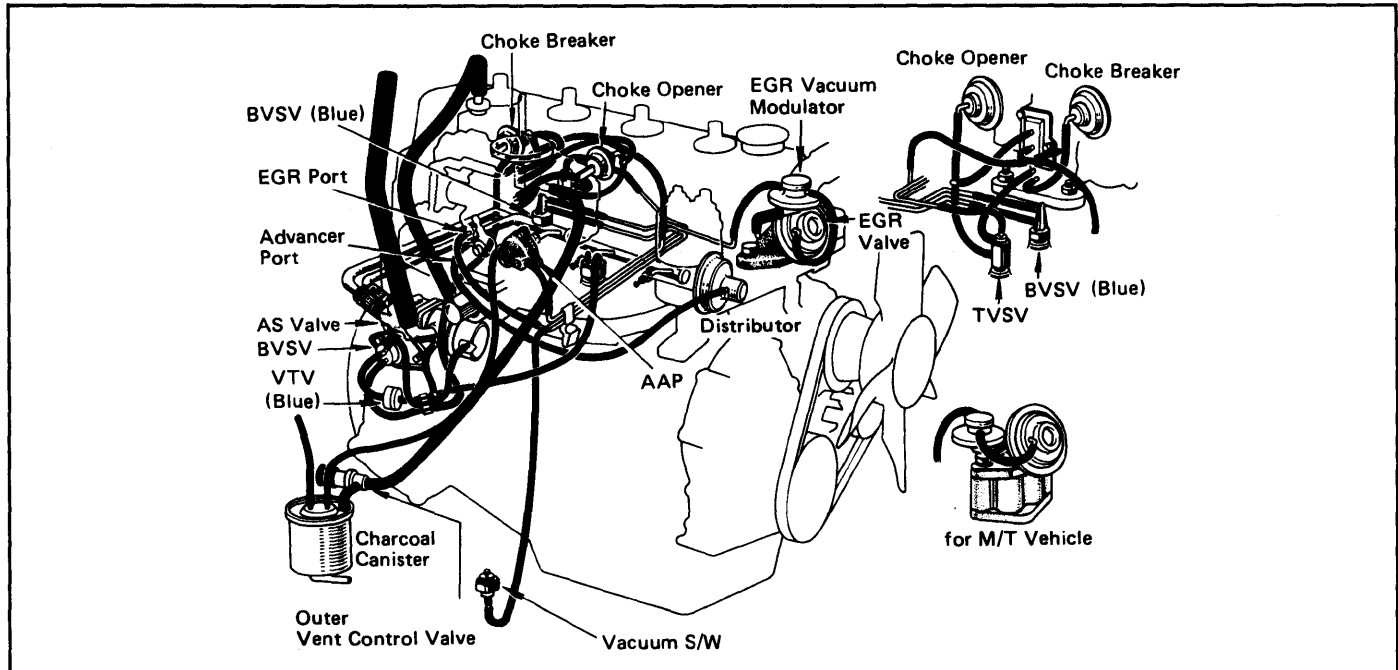


Fig. 55: 1978 2T-C Engine Exhaust Emission System (Federal With Standard Emission System)

# 1974-79 EXHAUST EMISSION SYSTEMS

## Toyota Vacuum Diagrams (Cont.)

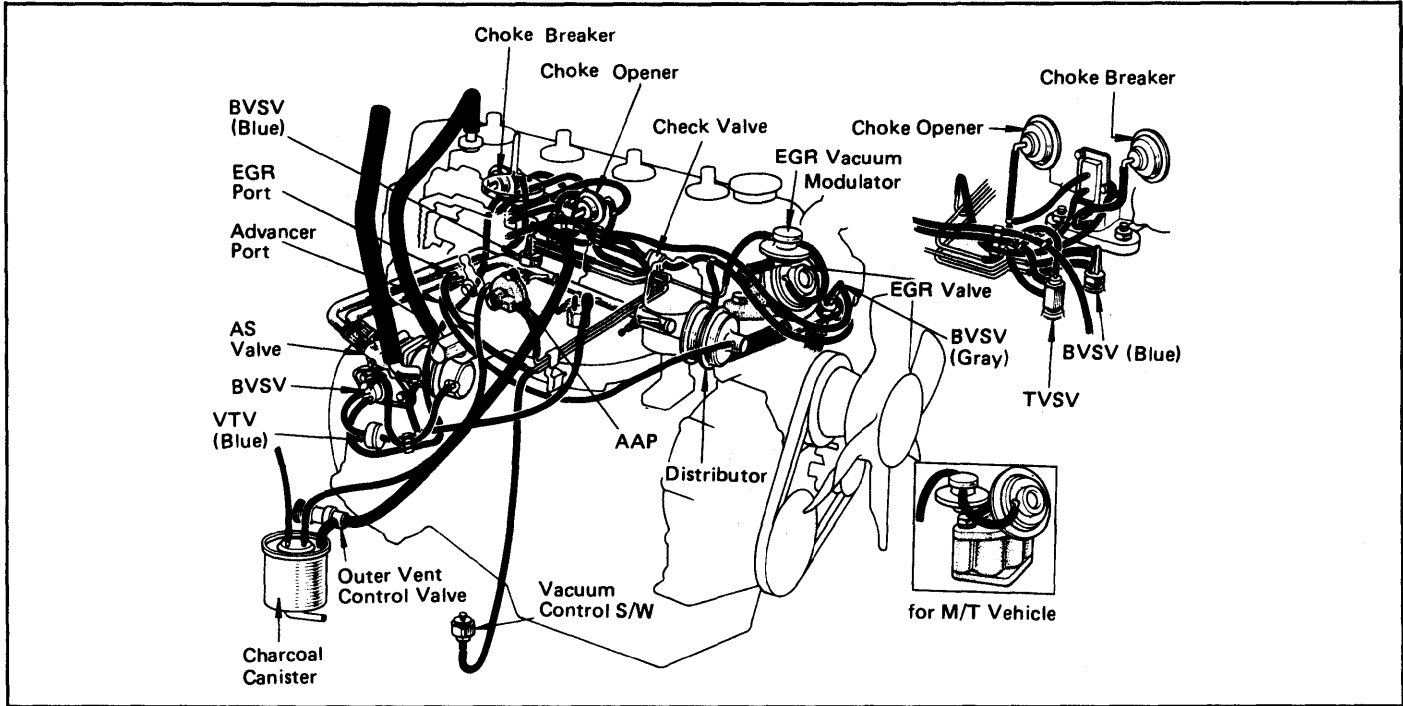


Fig. 56: 1978 2T-C Engine Exhaust Emission System (Federal With Optional Emission System)

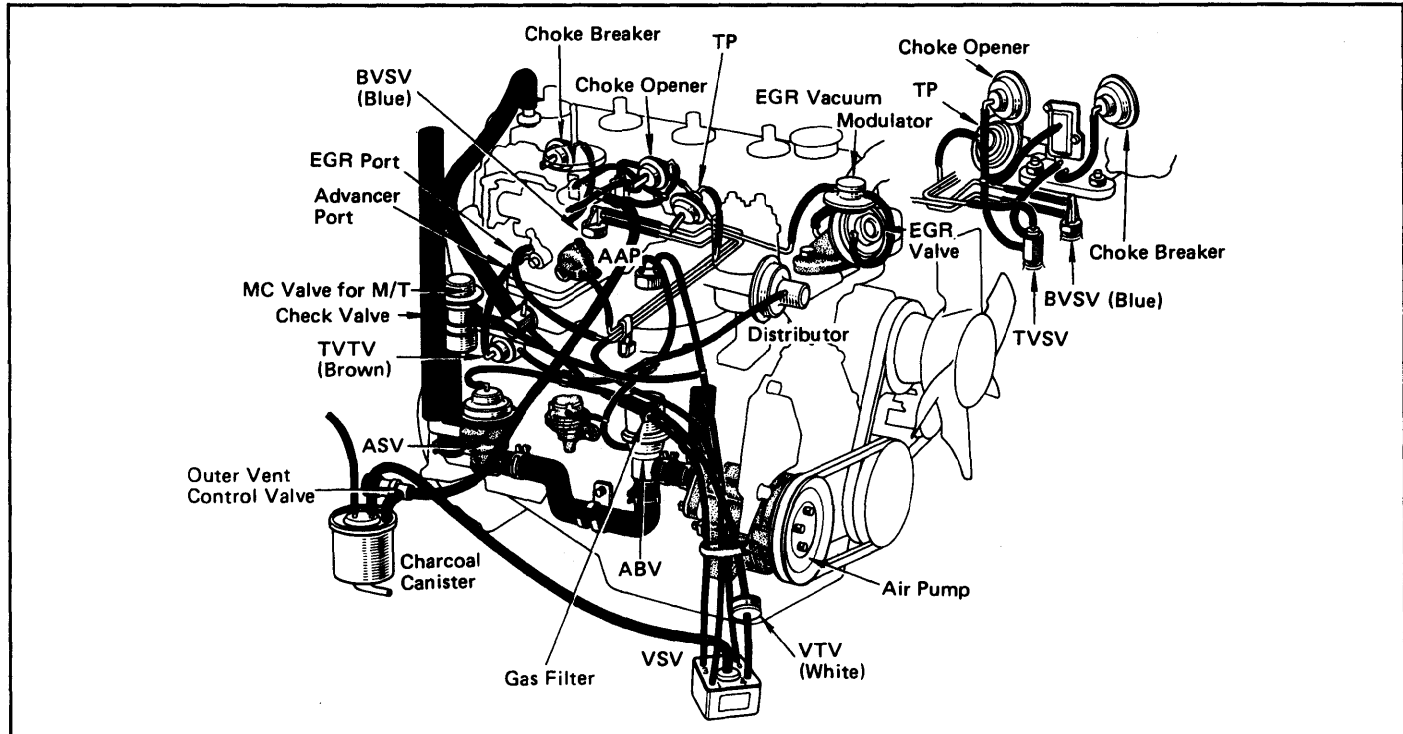


Fig. 57: 1978 2T-C Engine Exhaust Emission System (California)



# 1974-79 EXHAUST EMISSION SYSTEMS Toyota Vacuum Diagrams (Cont.)

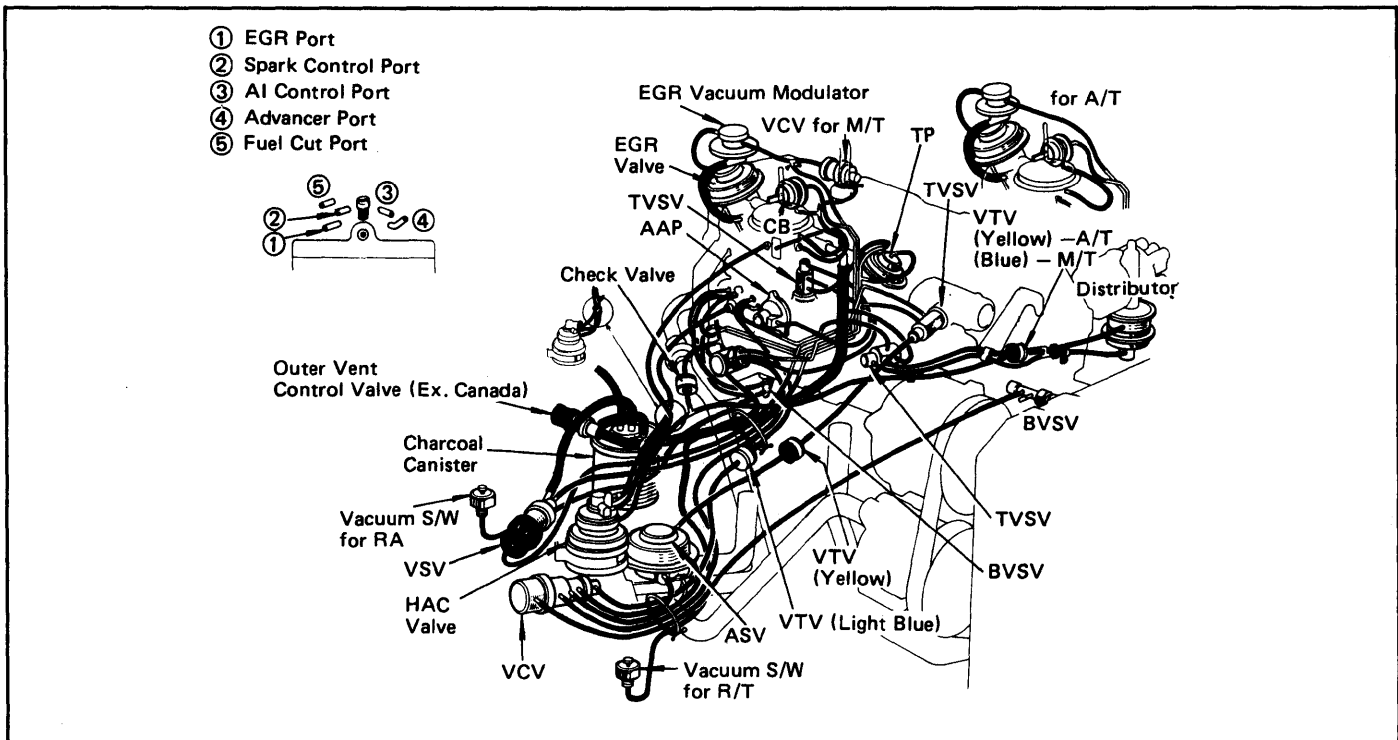


Fig. 60: 1978 Celica & Corolla (20R Engine) Exhaust Emission System (High Altitude)

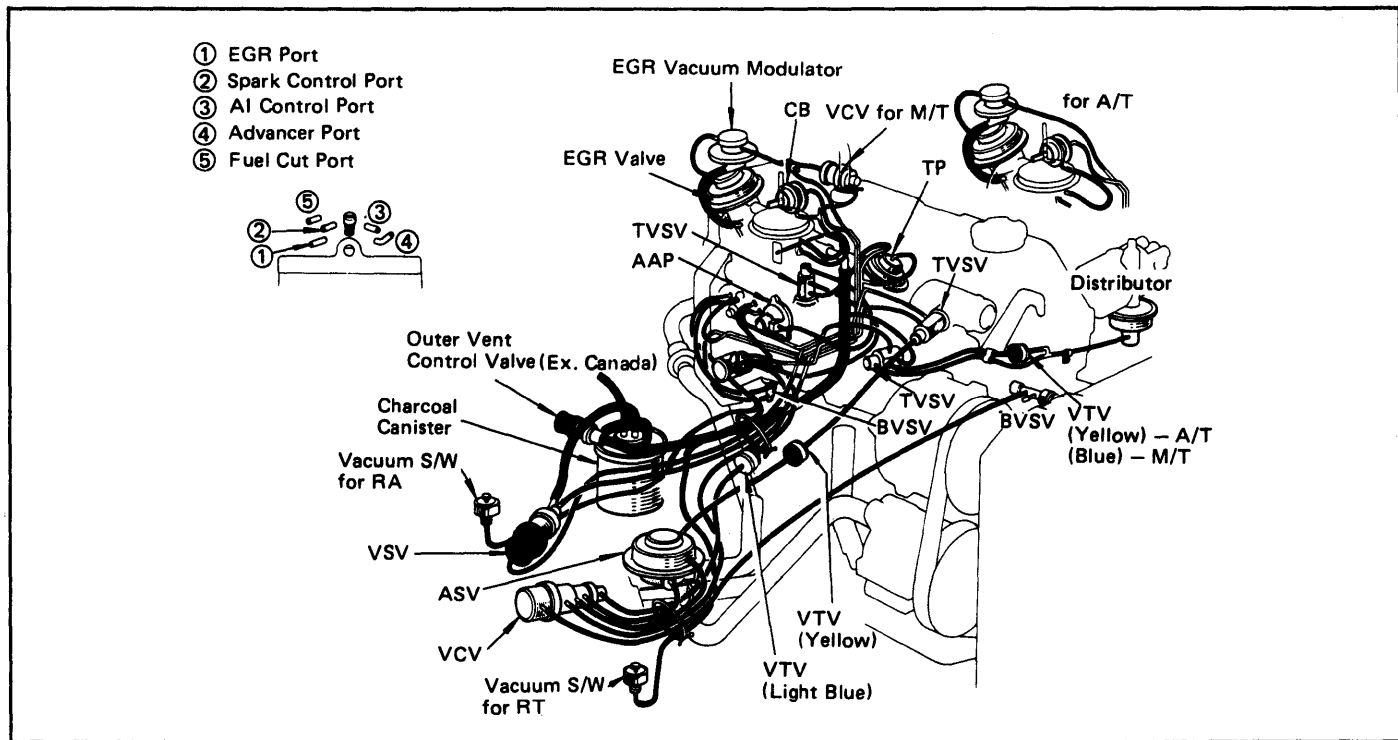
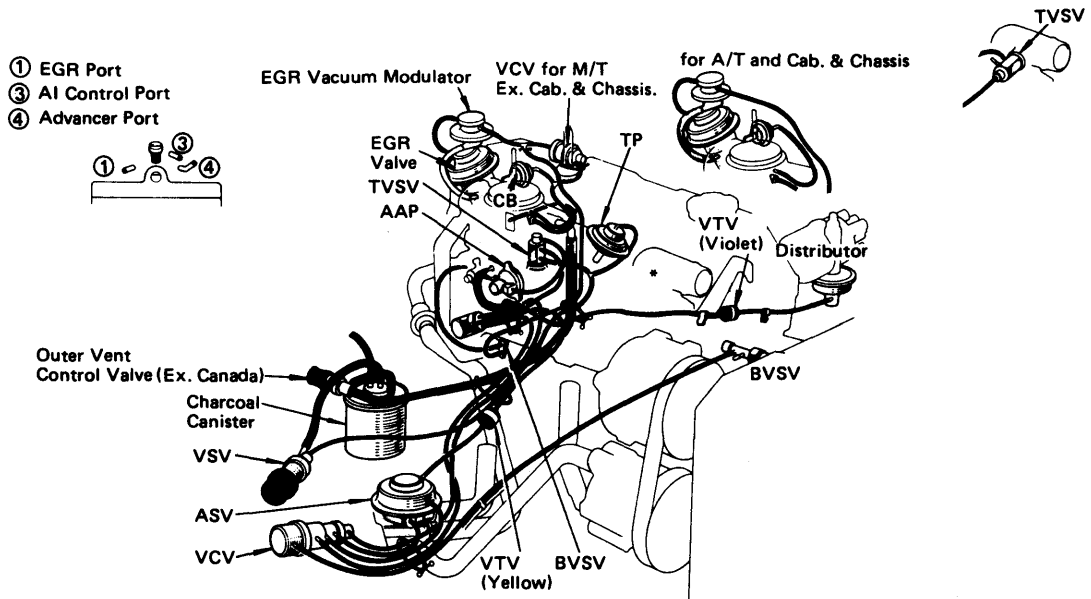


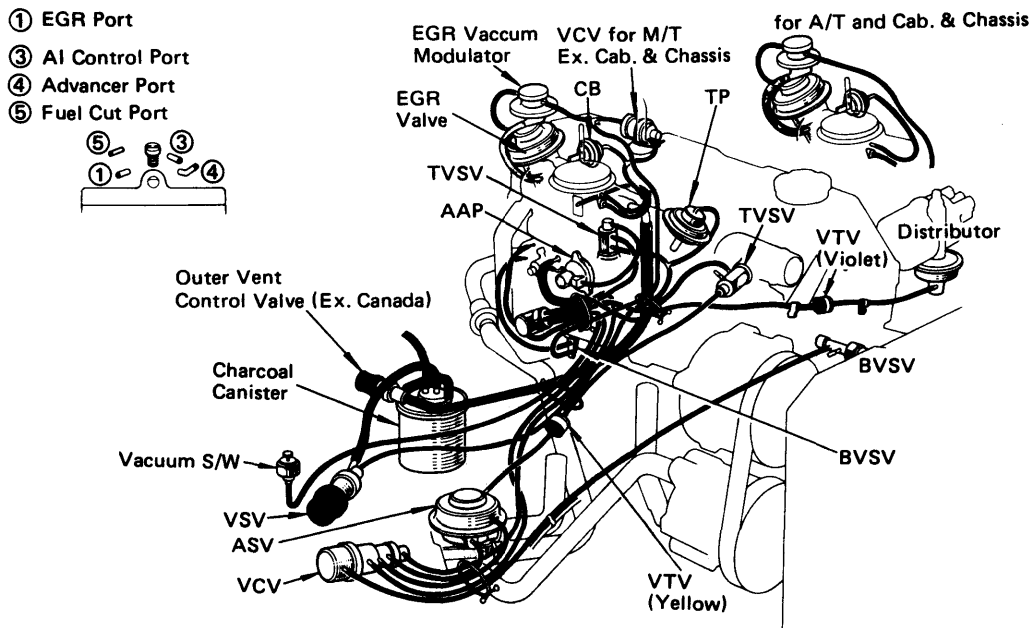
Fig. 61: 1978 Celica & Corolla (20R Engine) Exhaust Emission System (California)

# 1974-79 EXHAUST EMISSION SYSTEMS Toyota Vacuum Diagrams (Cont.)

\*From E. No. 20R-0941645

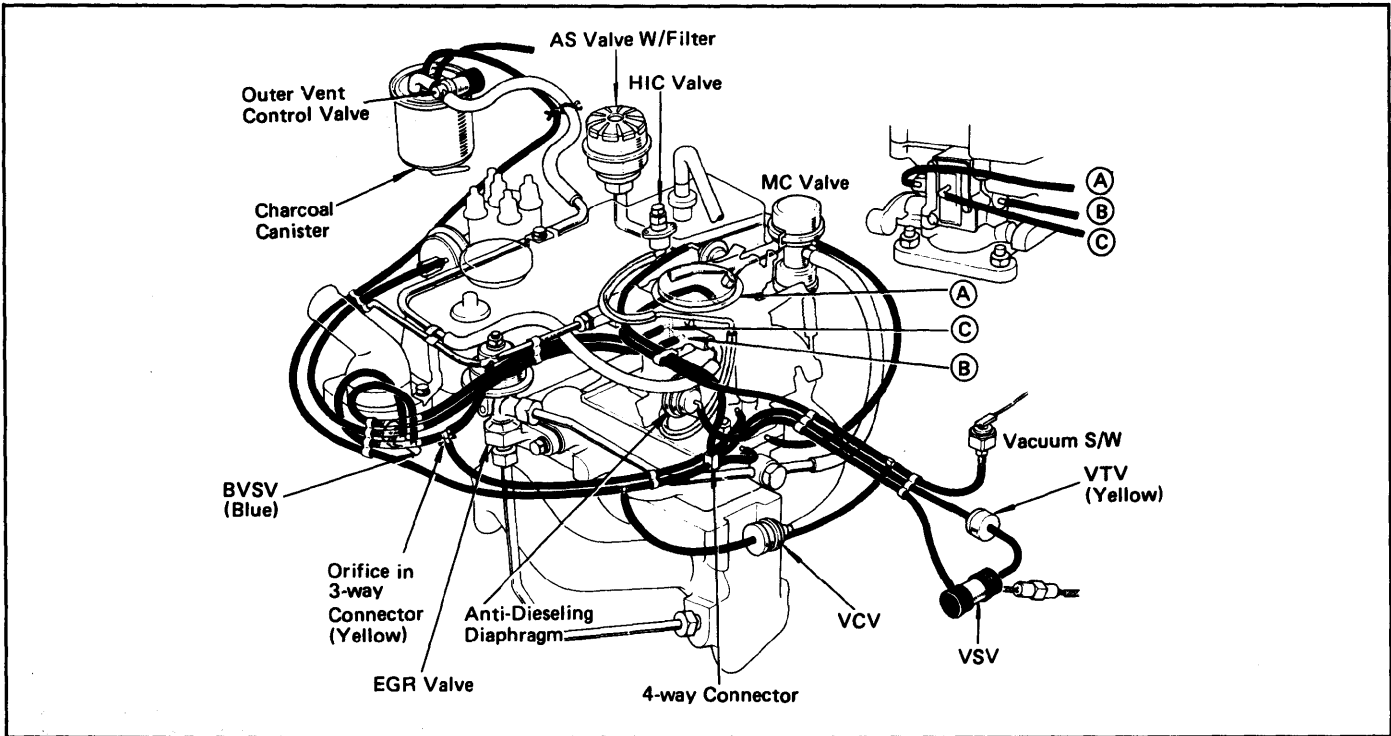


**Fig. 62: 1978 Pickup (20R Engine) Exhaust Emission System (Federal)**

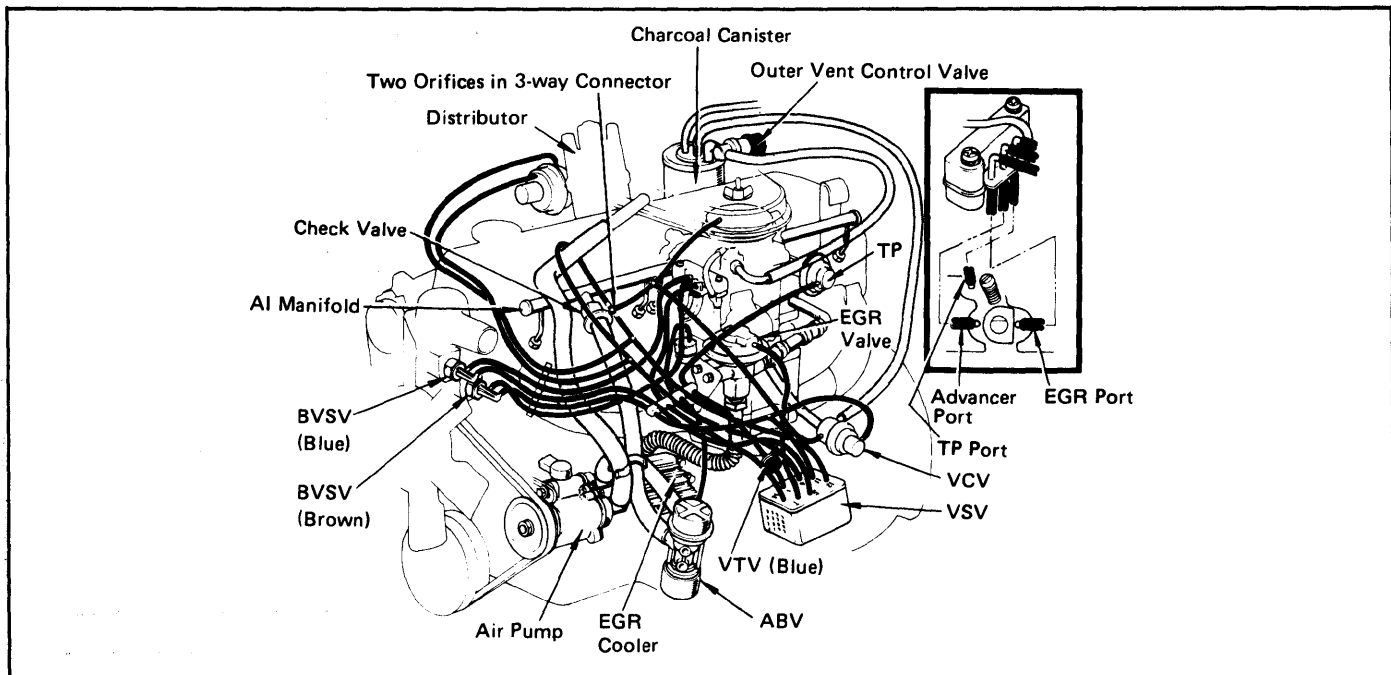


**Fig. 63: 1978 Pickup (20R Engine) Exhaust Emission System (California)**

# 1974-79 EXHAUST EMISSION SYSTEMS Toyota Vacuum Diagrams (Cont.)



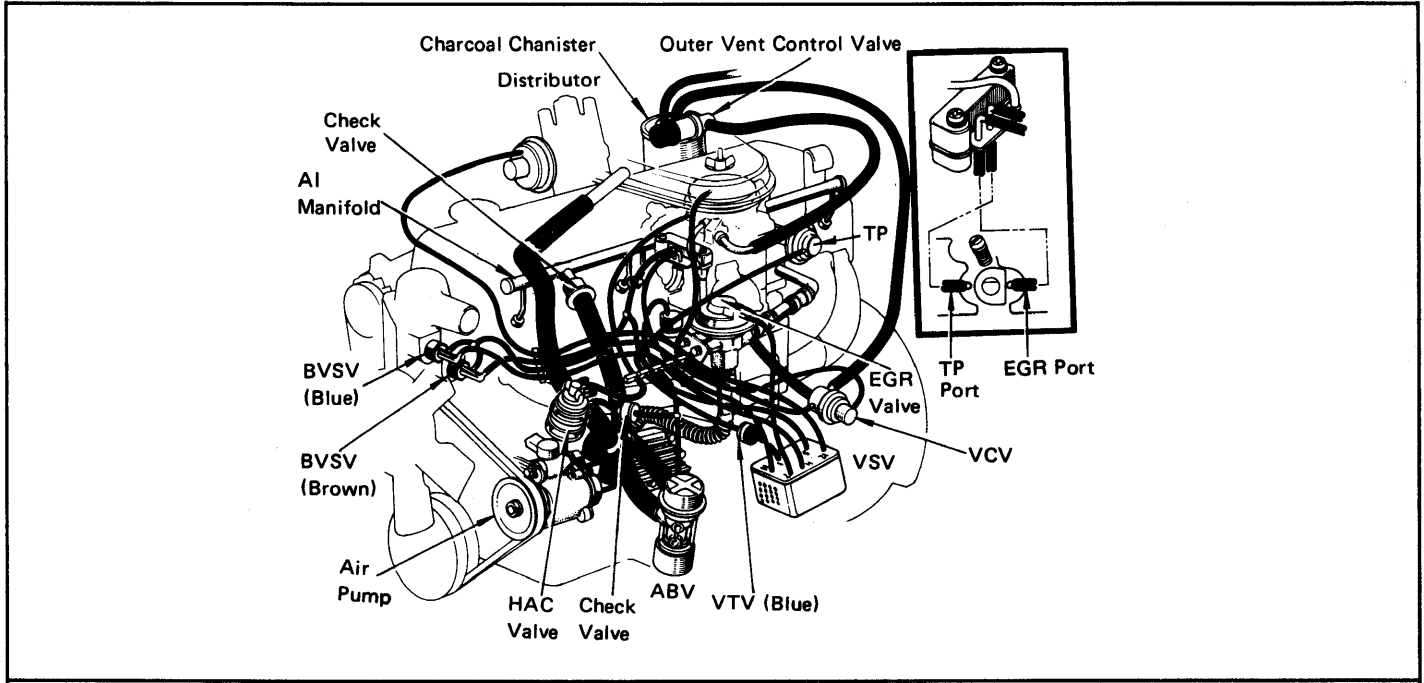
**Fig. 64: 1978 3K-C Engine Exhaust Emission System**



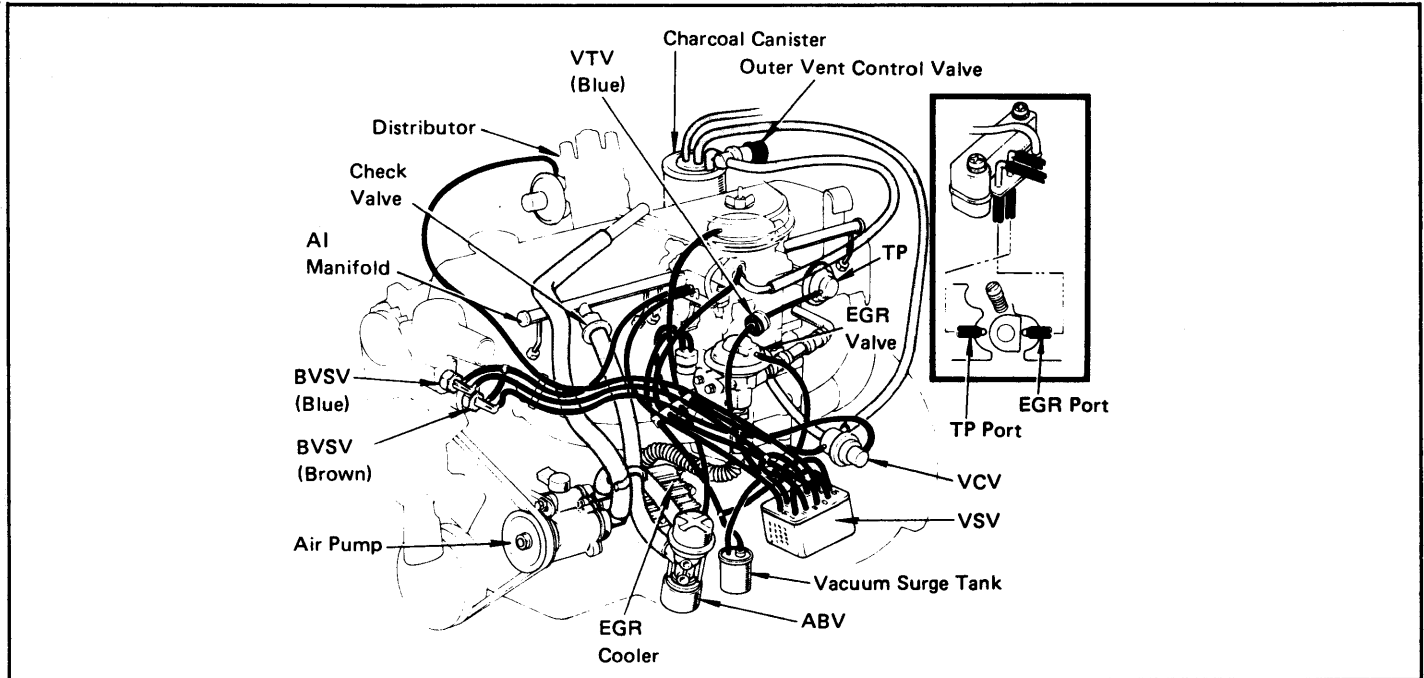
**Fig. 65: 1978 Land Cruiser (2F Engine) Exhaust Emission System (Federal)**

# 1974-79 EXHAUST EMISSION SYSTEMS

## Toyota Vacuum Diagrams (Cont.)

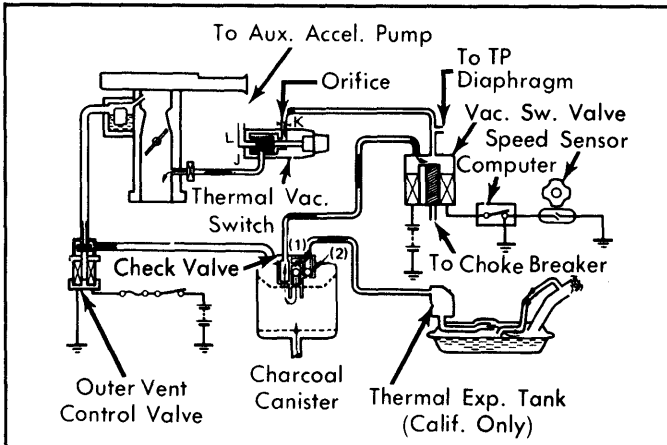


**Fig. 66: 1978 Land Cruiser (2F Engine) Exhaust Emission System (High Altitude)**

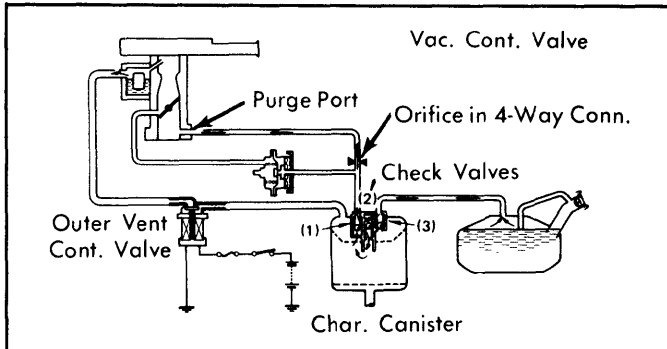


**Fig. 67: 1978 Land Cruiser (2F Engine) Exhaust Emission System (California)**

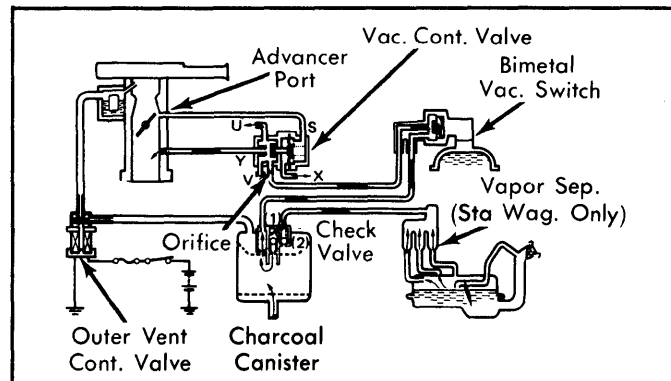
# 1974-79 EXHAUST EMISSION SYSTEMS Toyota Vacuum Diagrams (Cont.)



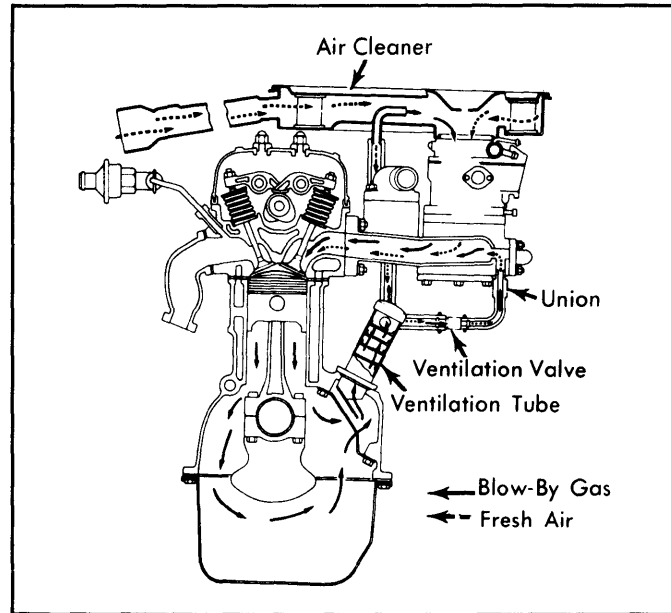
**Fig. 68: 1978 Celica, Corona, Pickup (20R Engine) & Corolla 1600 (2T-C Engine) Fuel Evaporation System**



**Fig. 69: 1978 Corolla 1200 (3K-C Engine) Fuel Evaporation System**



**Fig. 70: 1978 Cressida (4M Engine) Fuel Evaporation System**



**Fig. 71: 1978 Cressida (4M Engine) Positive Crankcase Ventilation System**



# 1974-79 EXHAUST EMISSION SYSTEMS Toyota Vacuum Diagrams (Cont.)

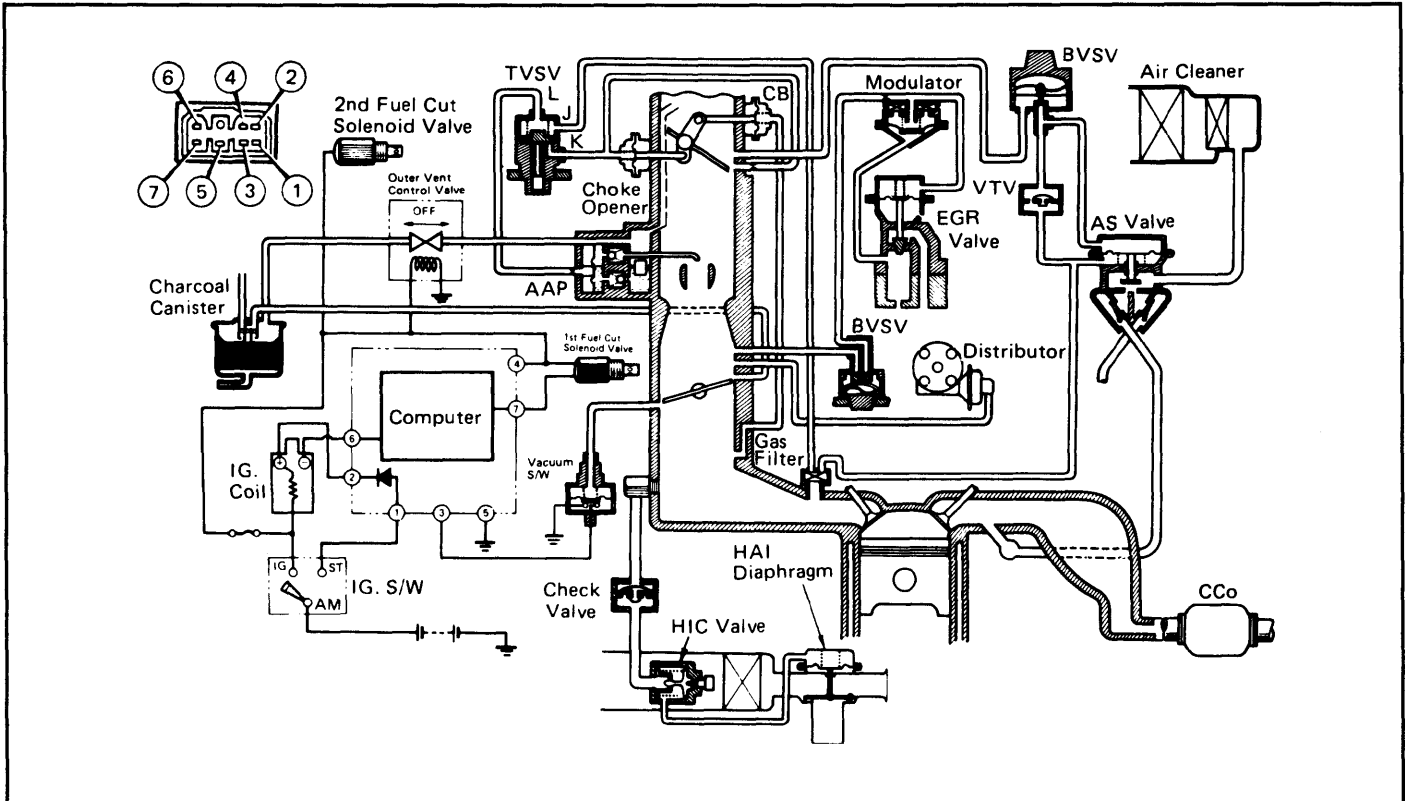


Fig. 74: 1979 Corolla 1600 Exhaust Emission System (Federal)

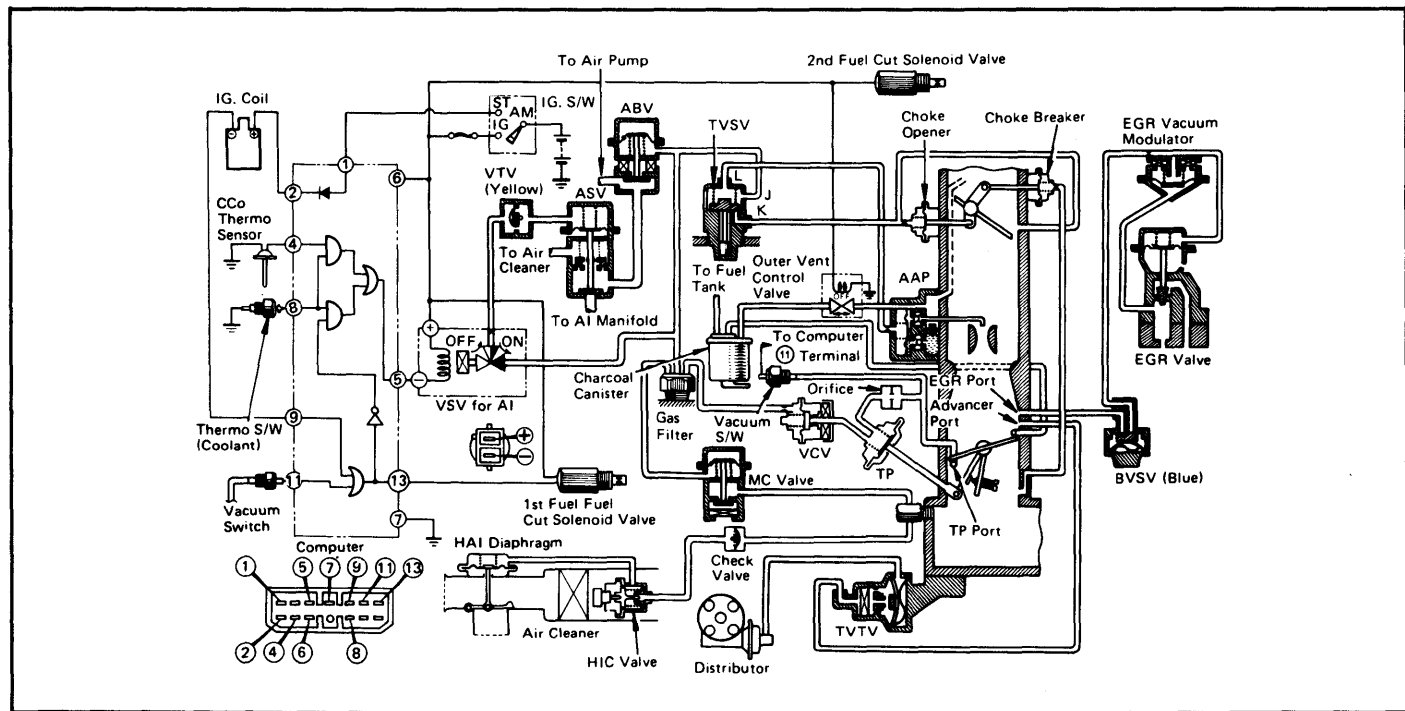


Fig. 75: 1979 Corolla 1600 Exhaust Emission System (California)

# 1974-79 EXHAUST EMISSION SYSTEMS Toyota Vacuum Diagrams (Cont.)

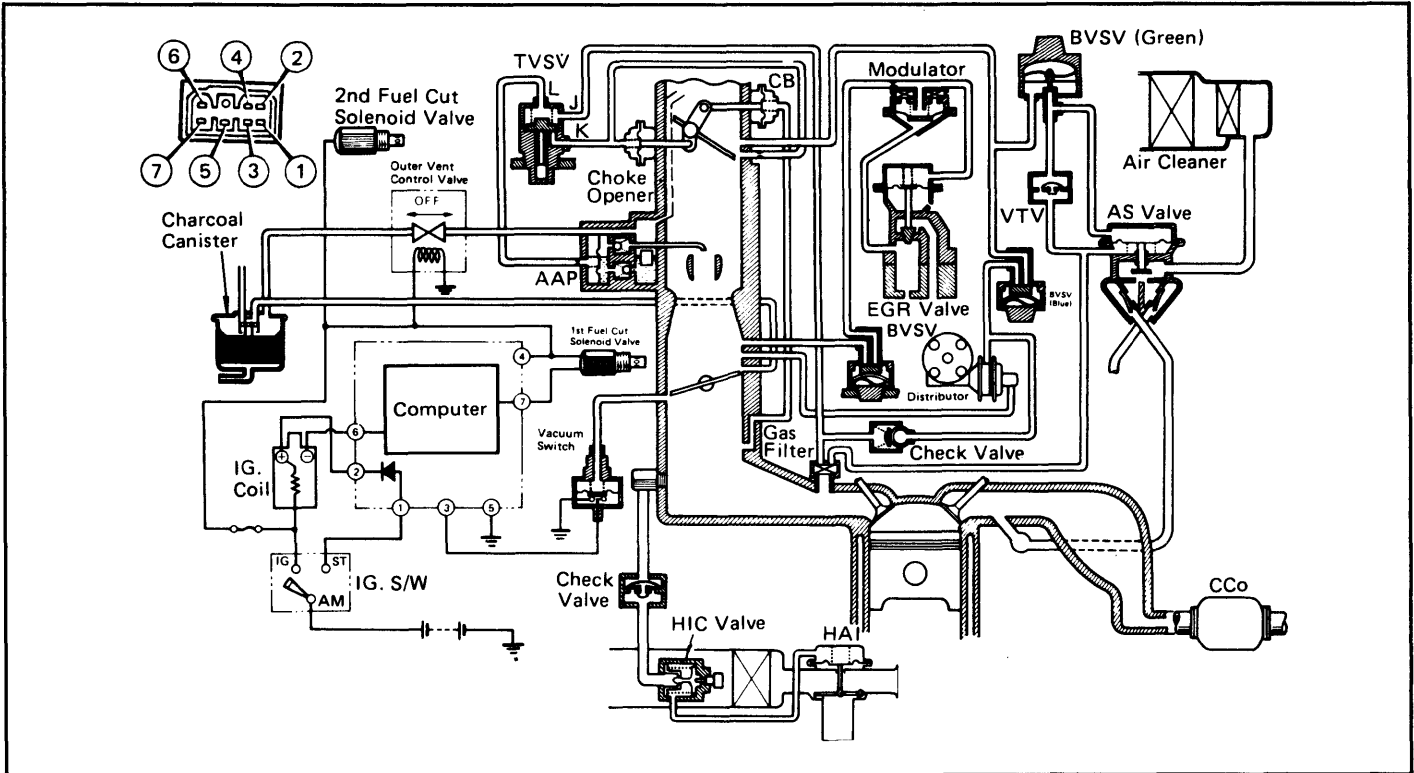


Fig. 76: 1979 Corolla 1600 Exhaust Emission System (Federal Auto. Trans. With Cold Weather Option)

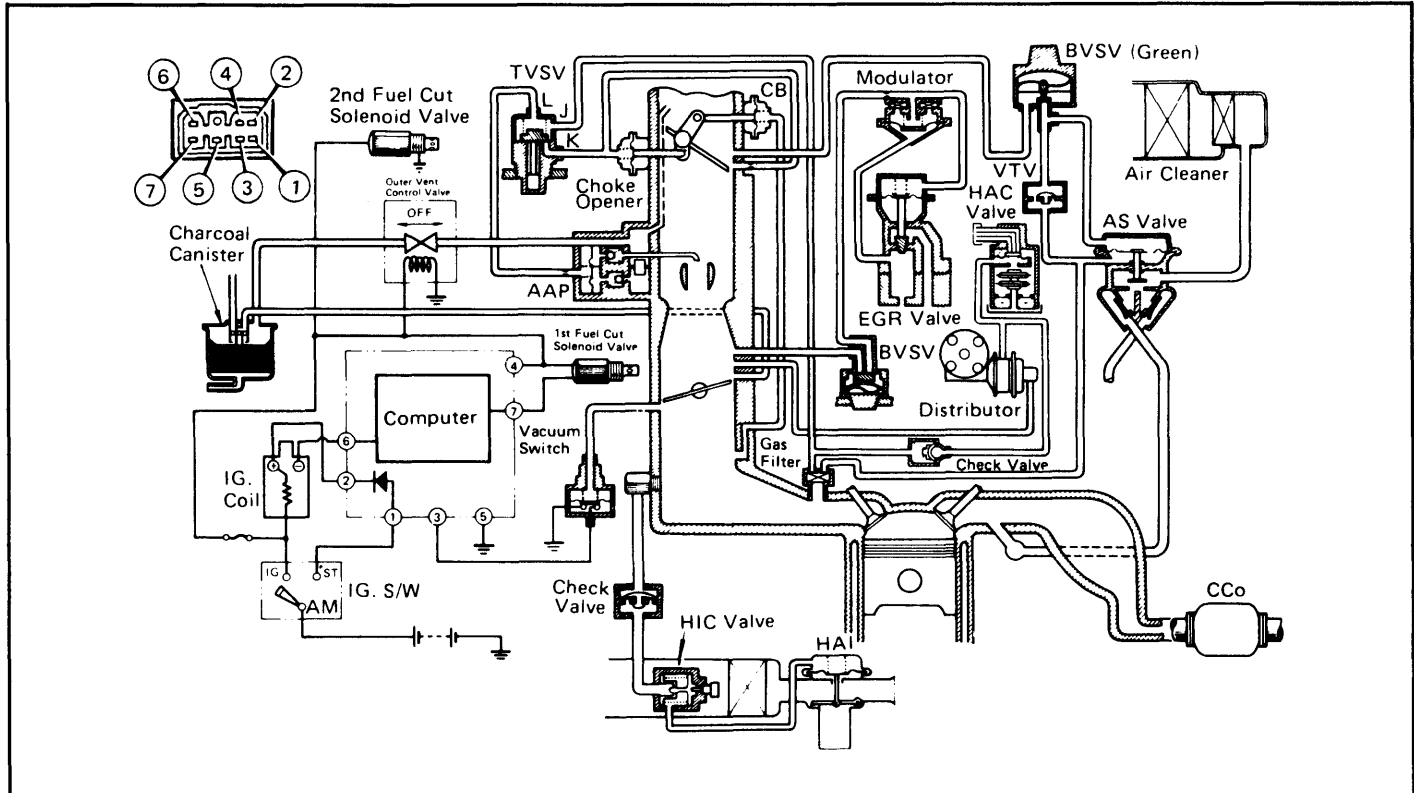
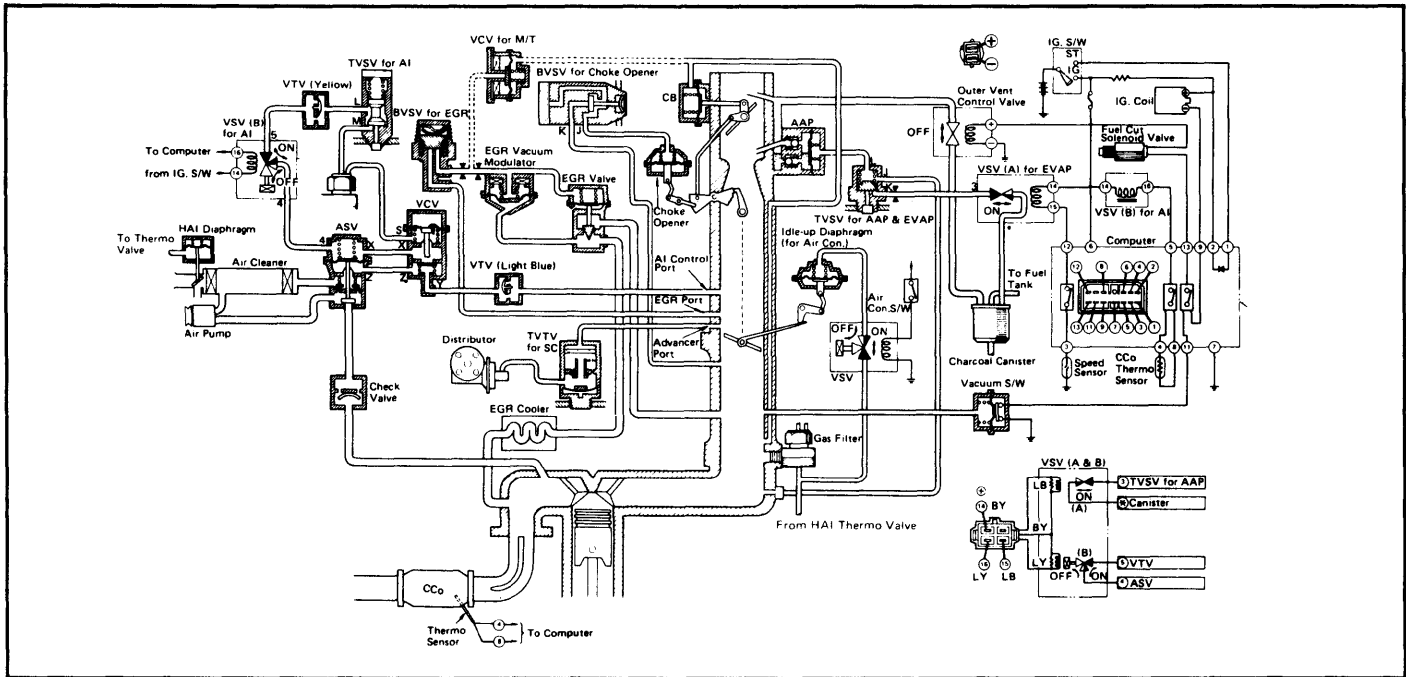
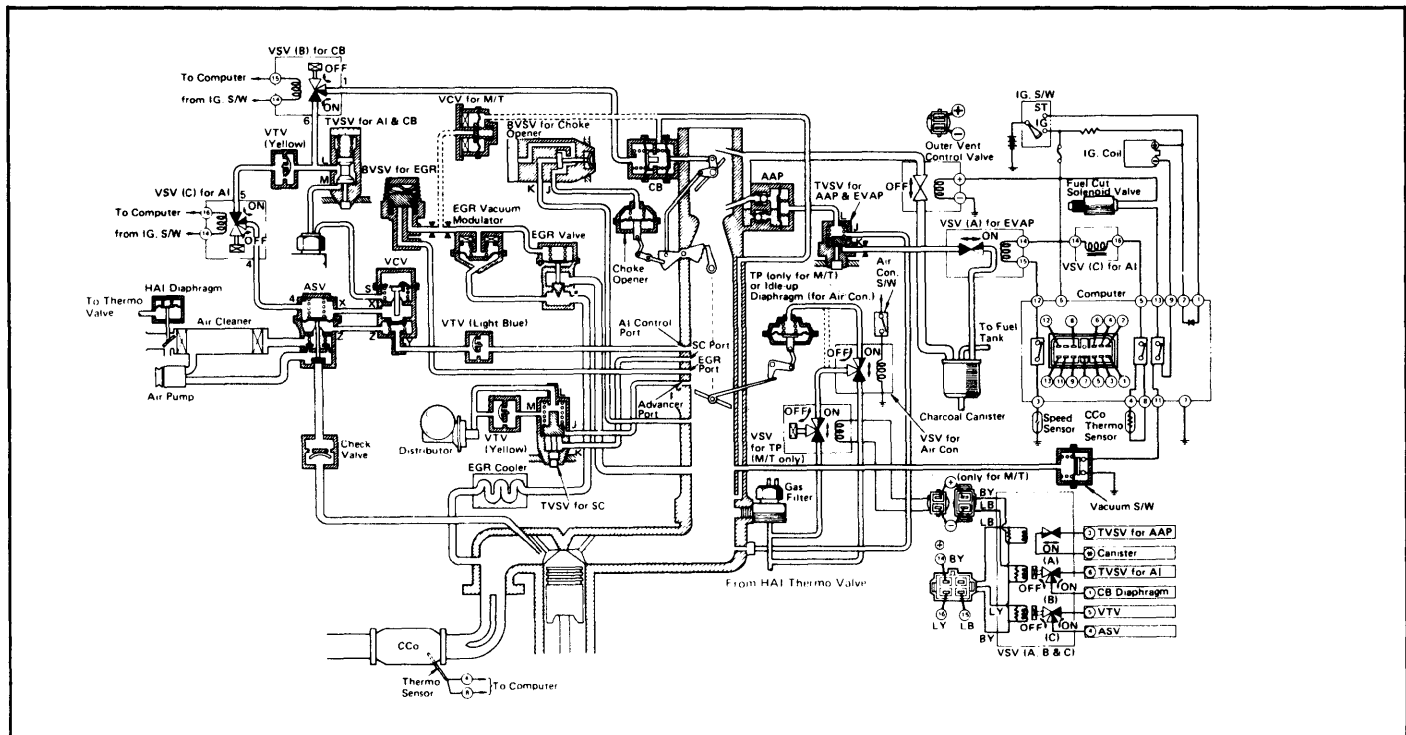


Fig. 77: 1979 Corolla 1600 Exhaust Emission System (High Altitude Man. Trans.)

# 1974-79 EXHAUST EMISSION SYSTEMS Toyota Vacuum Diagrams (Cont.)

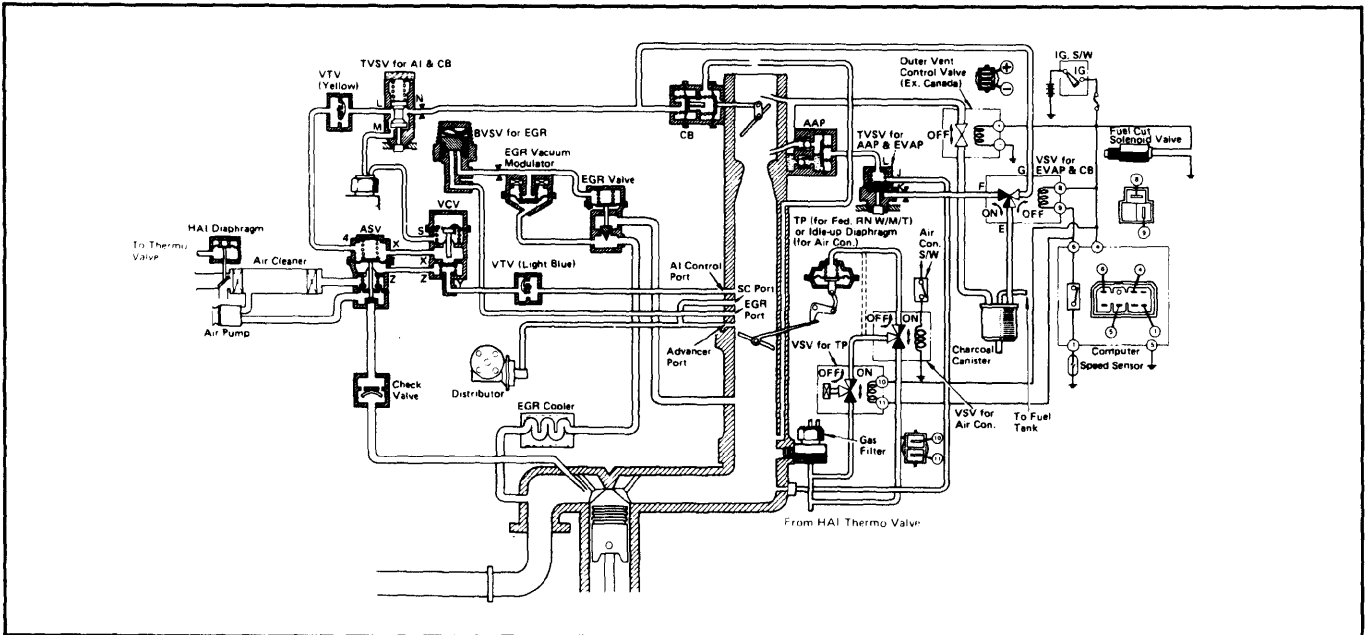


**Fig. 78: 1979 Celica & Corona Exhaust Emission System (Federal)**

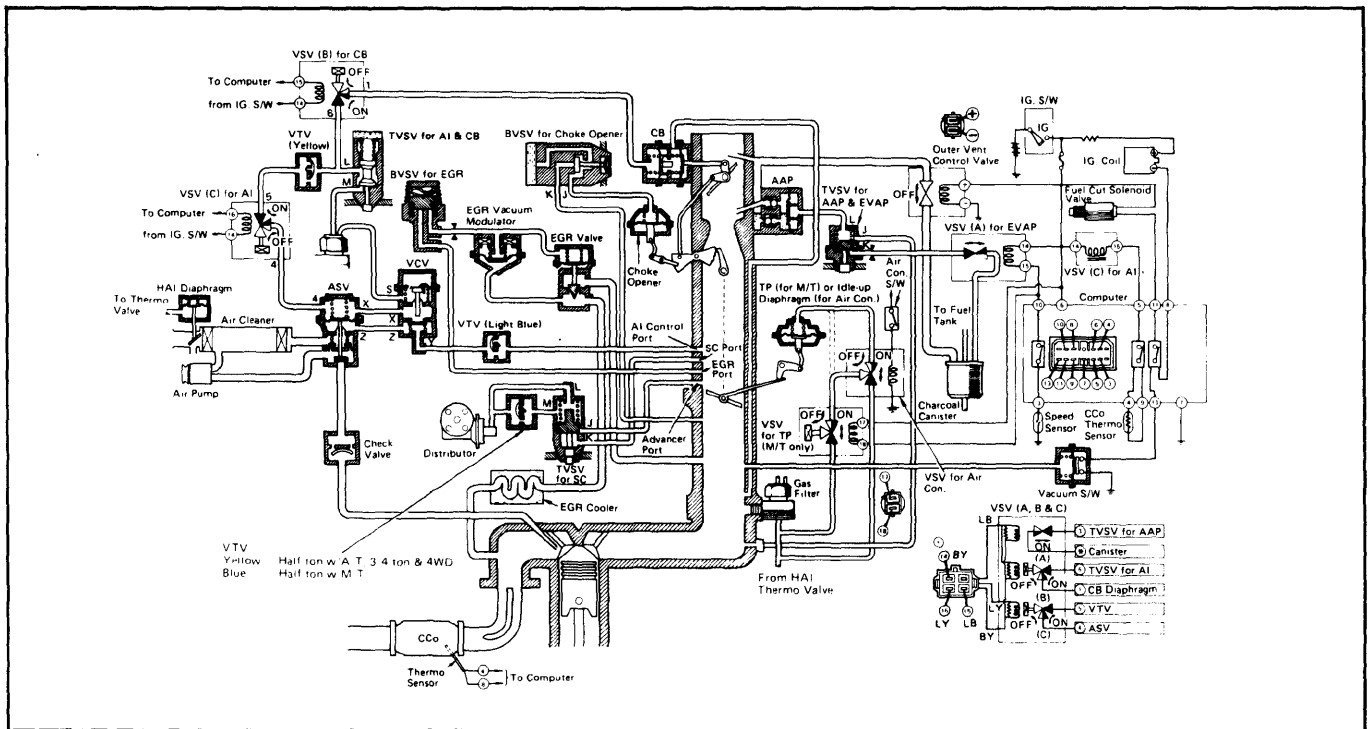


**Fig. 79: 1979 Celica & Corona Exhaust Emission System (California)**

# 1974-79 EXHAUST EMISSION SYSTEMS Toyota Vacuum Diagrams (Cont.)



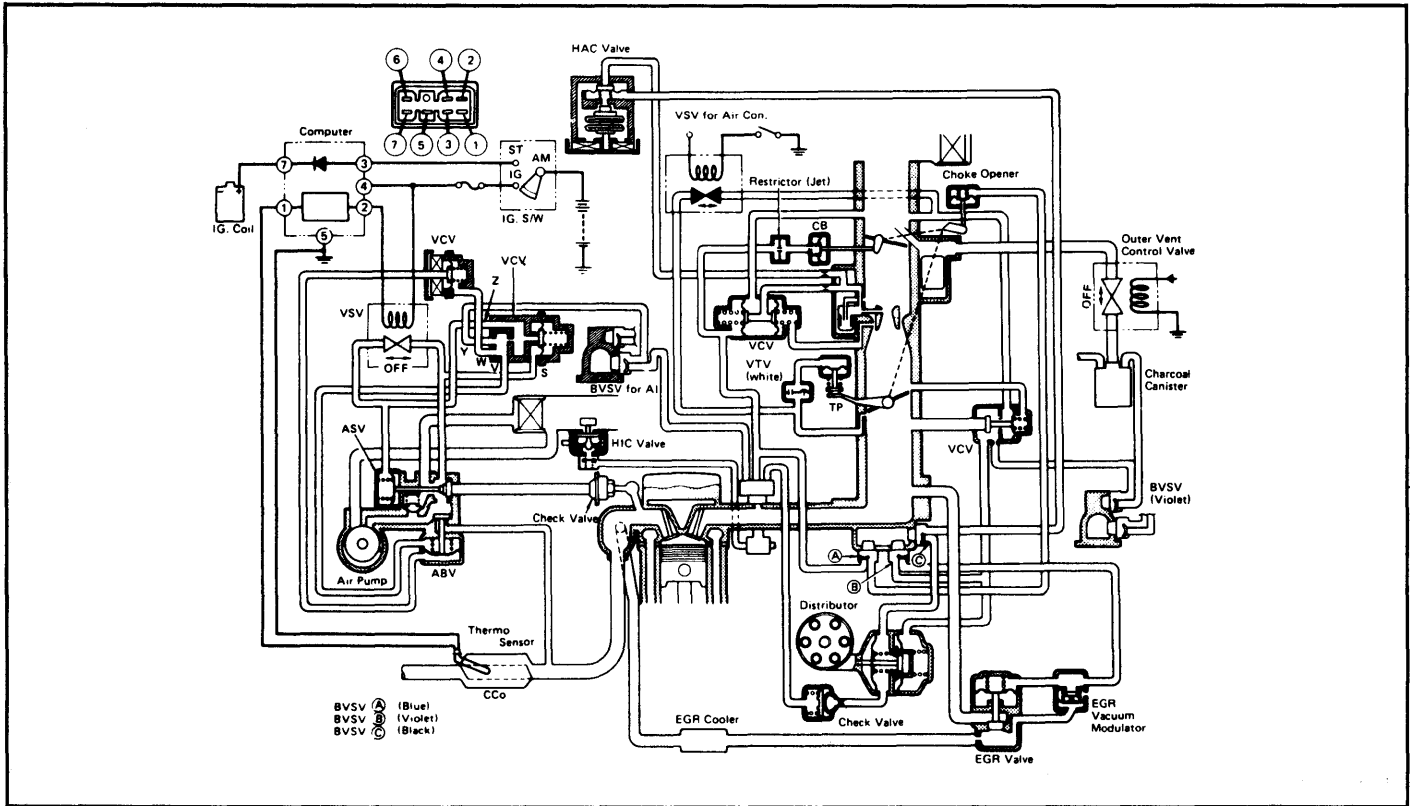
**Fig. 80: 1979 Pickup Exhaust Emission System (Federal)**



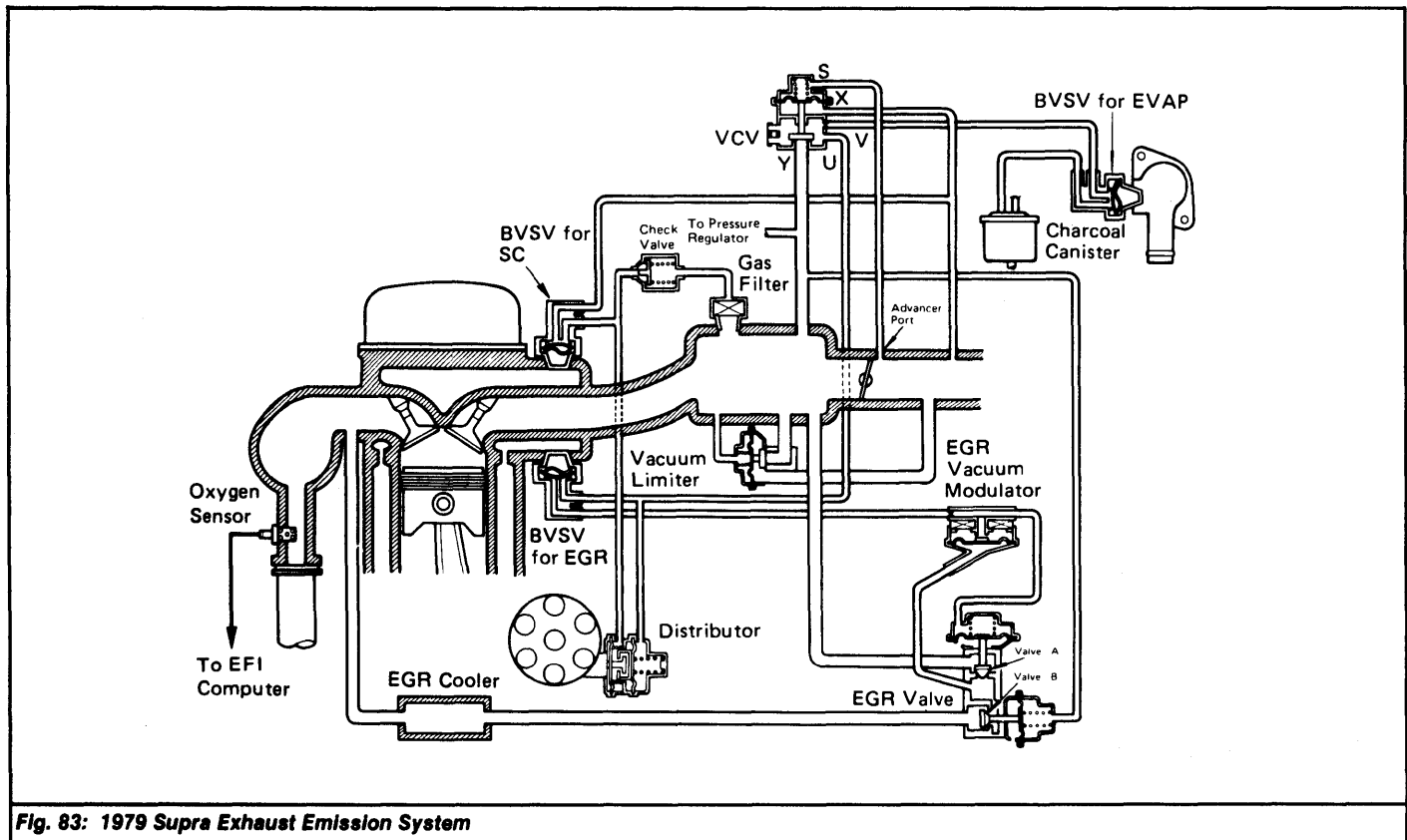
**Fig. 81: 1979 Pickup Exhaust Emission System (California)**

# 1974-79 EXHAUST EMISSION SYSTEMS

## Toyota Vacuum Diagrams (Cont.)

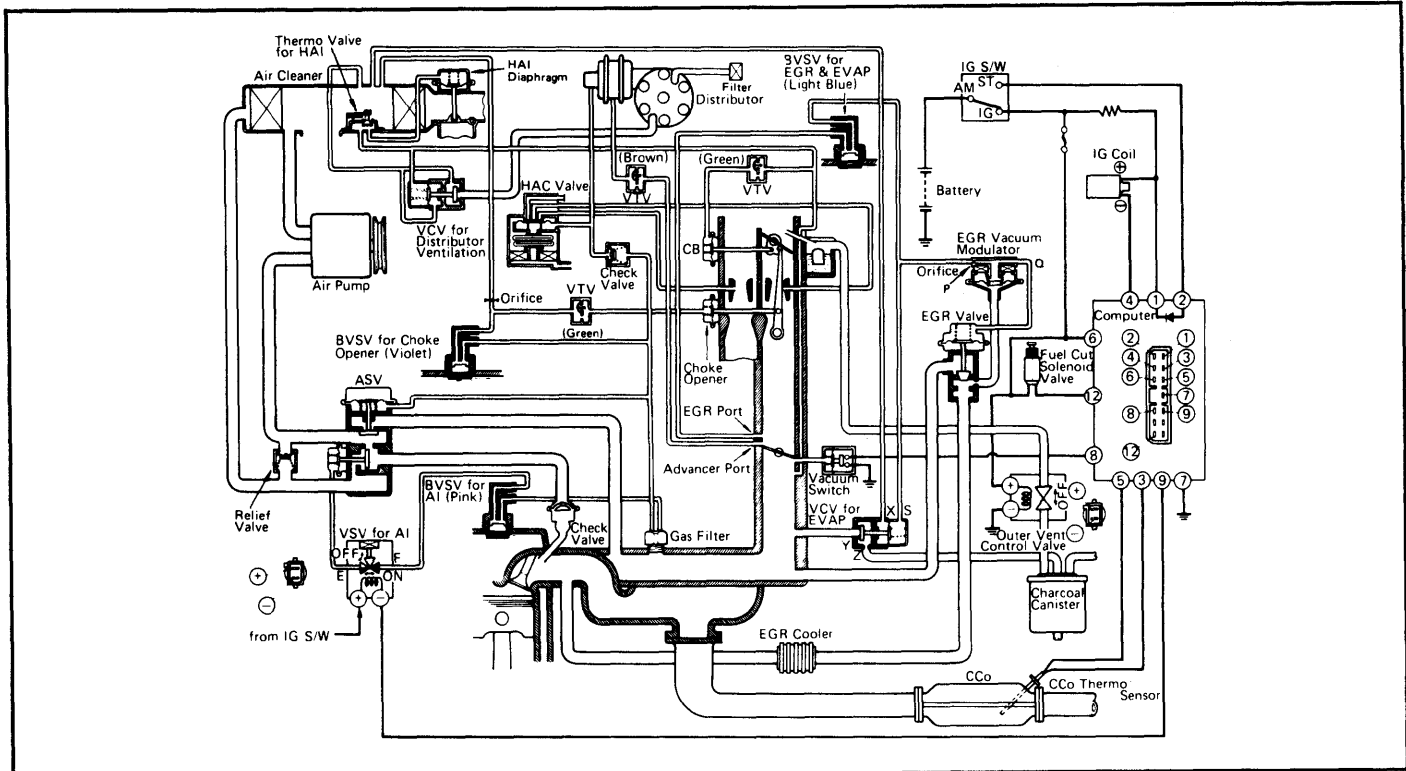


**Fig. 82: 1979 Crossida Exhaust Emission System**

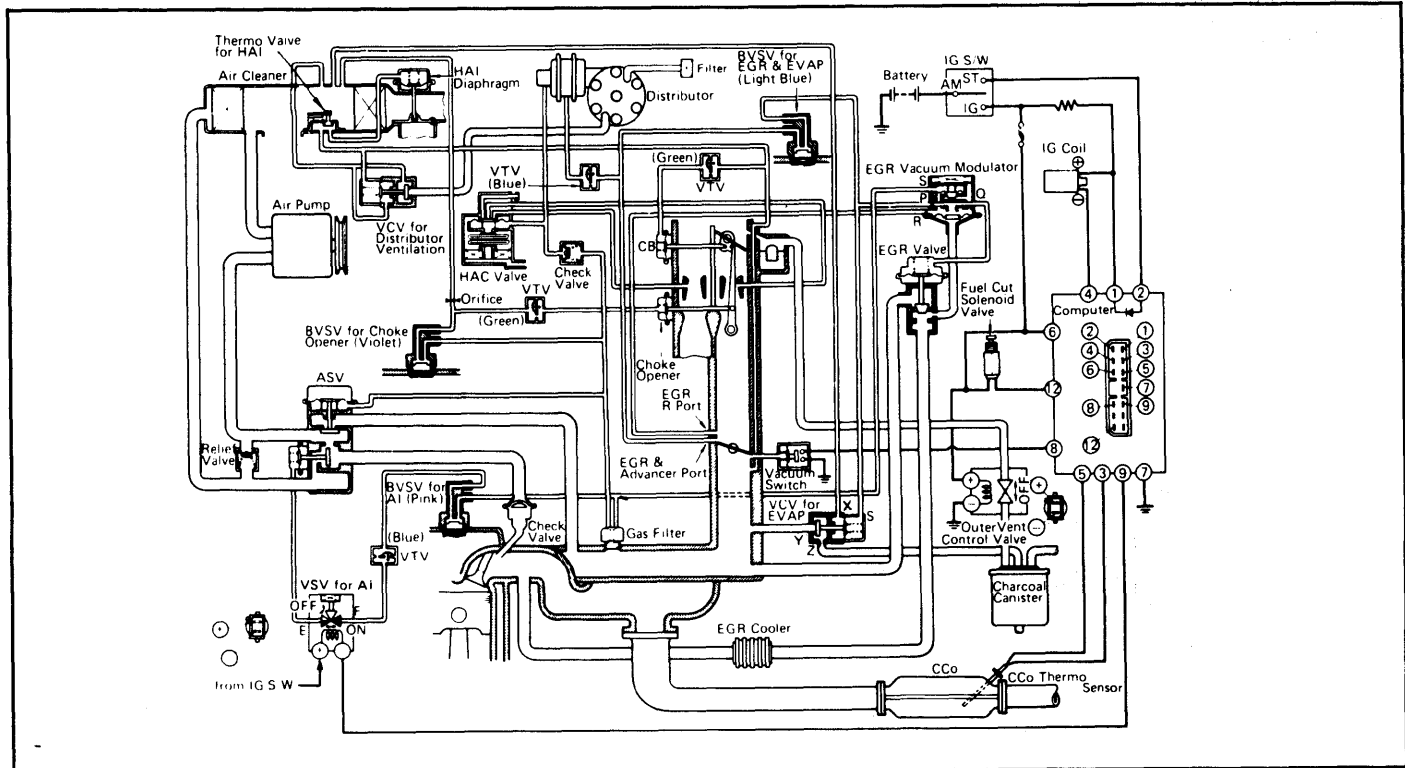


**Fig. 83: 1979 Supra Exhaust Emission System**

# 1974-79 EXHAUST EMISSION SYSTEMS Toyota Vacuum Diagrams (Cont.)



**Fig. 84: 1979 Land Cruiser Exhaust Emission System (Federal)**



**Fig. 85: 1979 Land Cruiser Exhaust Emission System (California)**