

# 1974-79 EXHAUST EMISSION SYSTEMS

## Saab Vacuum Diagrams

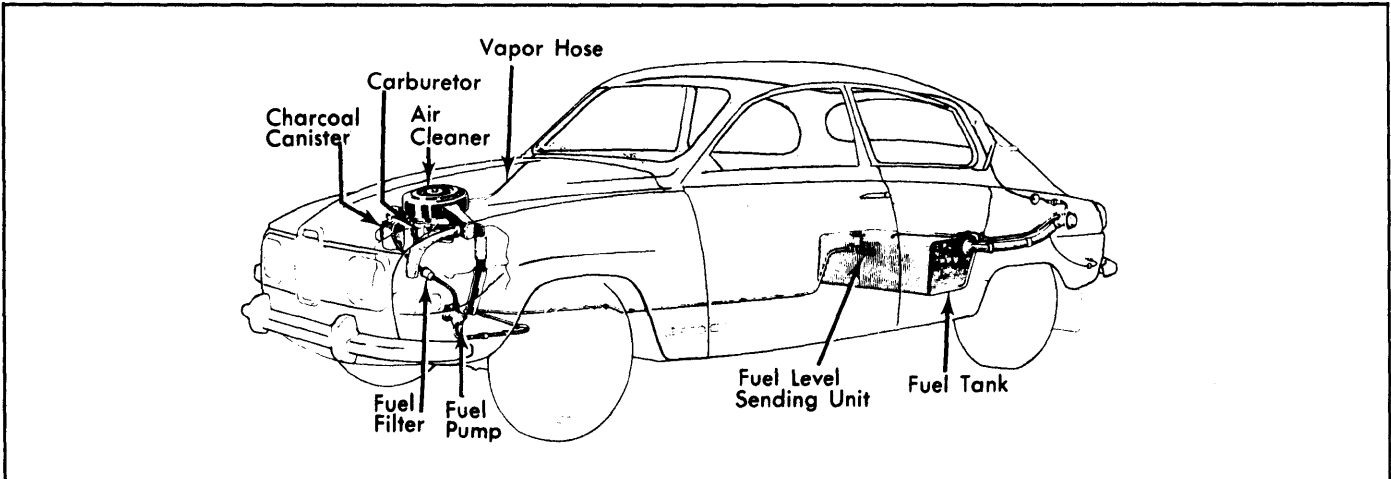


Fig. 1: 1974 96 Fuel Evaporation System

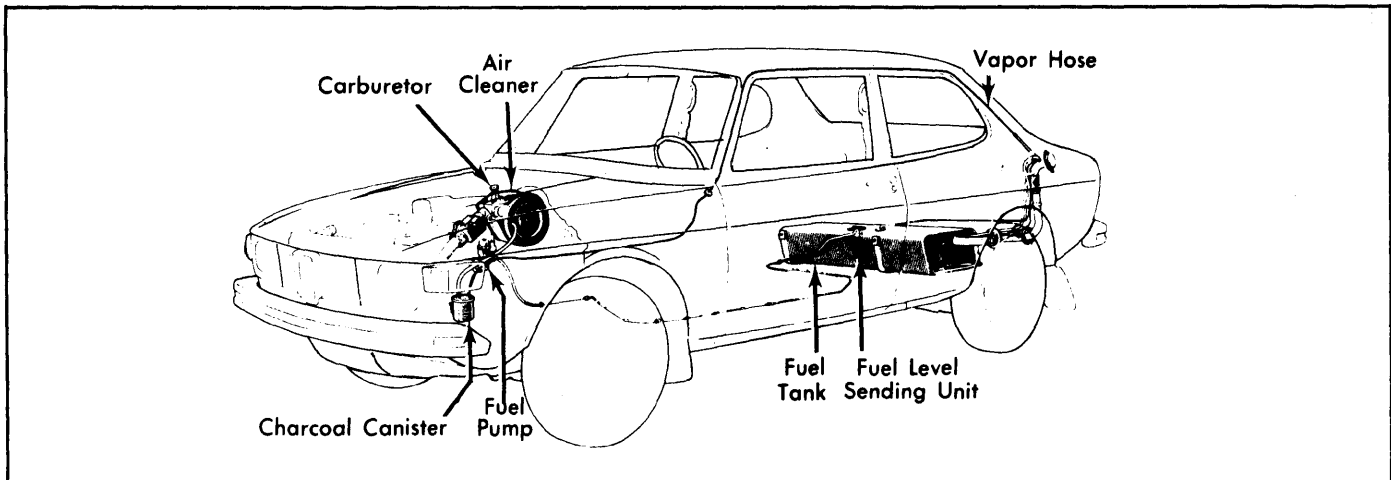


Fig. 2: 1974 99 Fuel Evaporation System

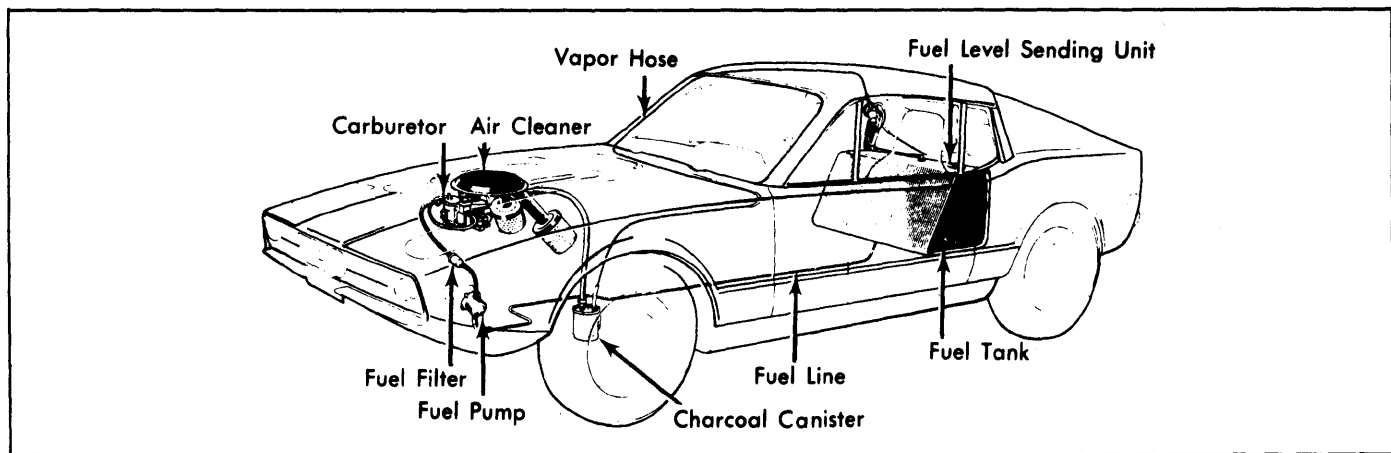
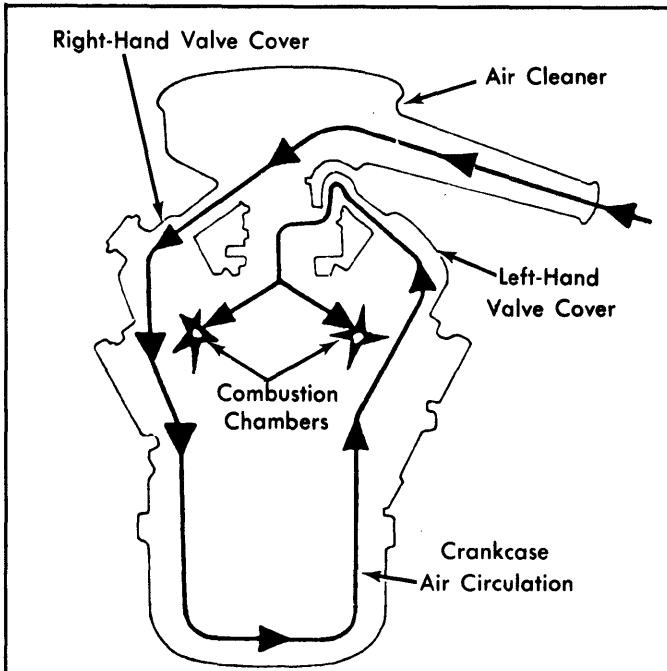


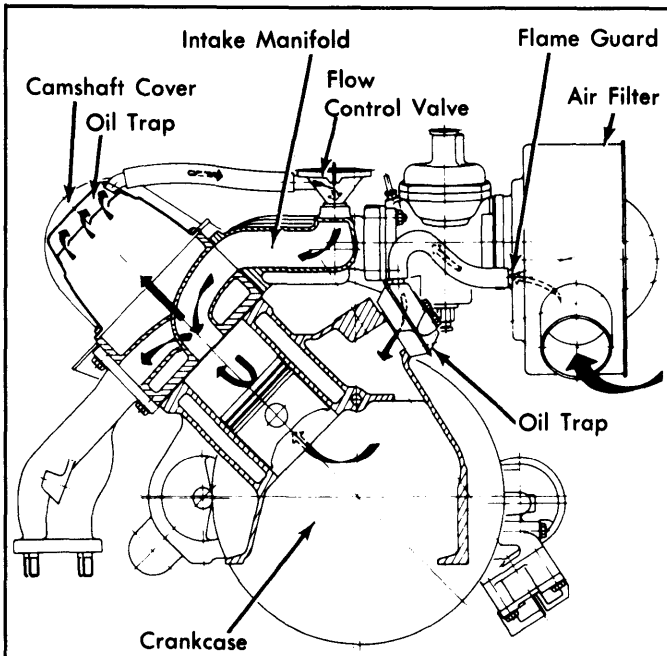
Fig. 3: 1974 Sonett III Fuel Evaporation System

# 1974-79 EXHAUST EMISSION SYSTEMS

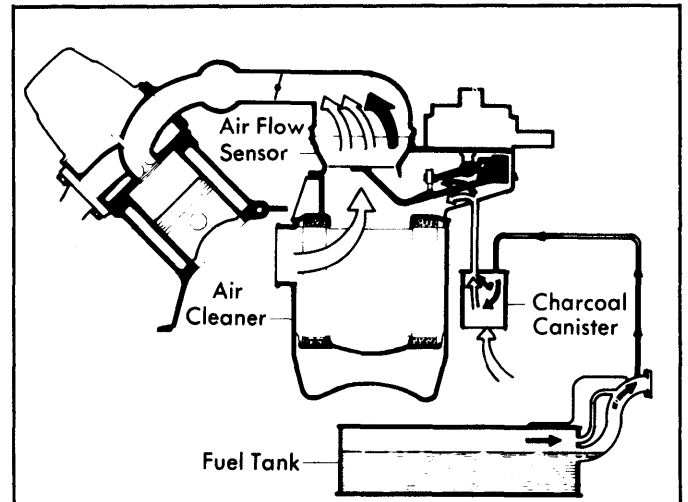
## Saab Vacuum Diagrams (Cont.)



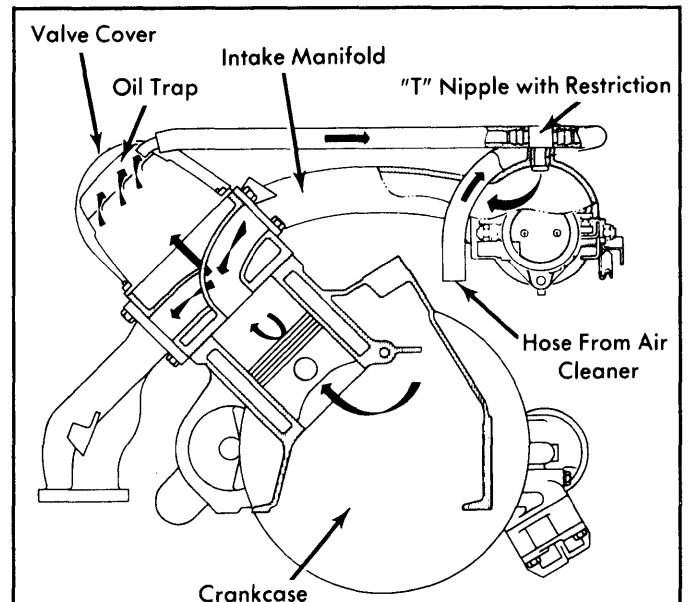
**Fig. 4: 1974 V4 Engine Positive Crankcase Ventilation System**



**Fig. 5: 1974 99 Positive Crankcase Ventilation System**



**Fig. 6: 1975-76 Fuel Evaporation System**



**Fig. 7: 1975-78 Positive Crankcase Ventilation System**

# 1974-79 EXHAUST EMISSION SYSTEMS Saab Vacuum Diagrams (Cont.)

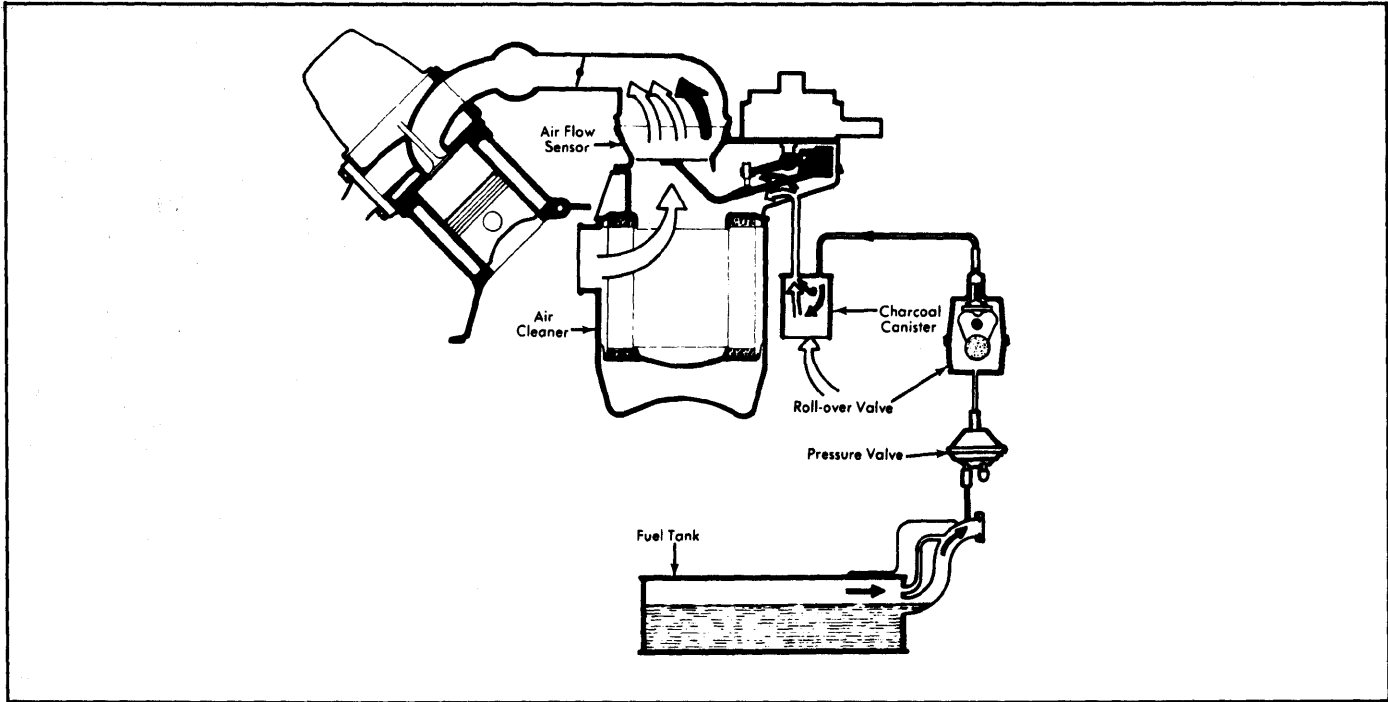


Fig. 8: 1977-78 Fuel Evaporation System