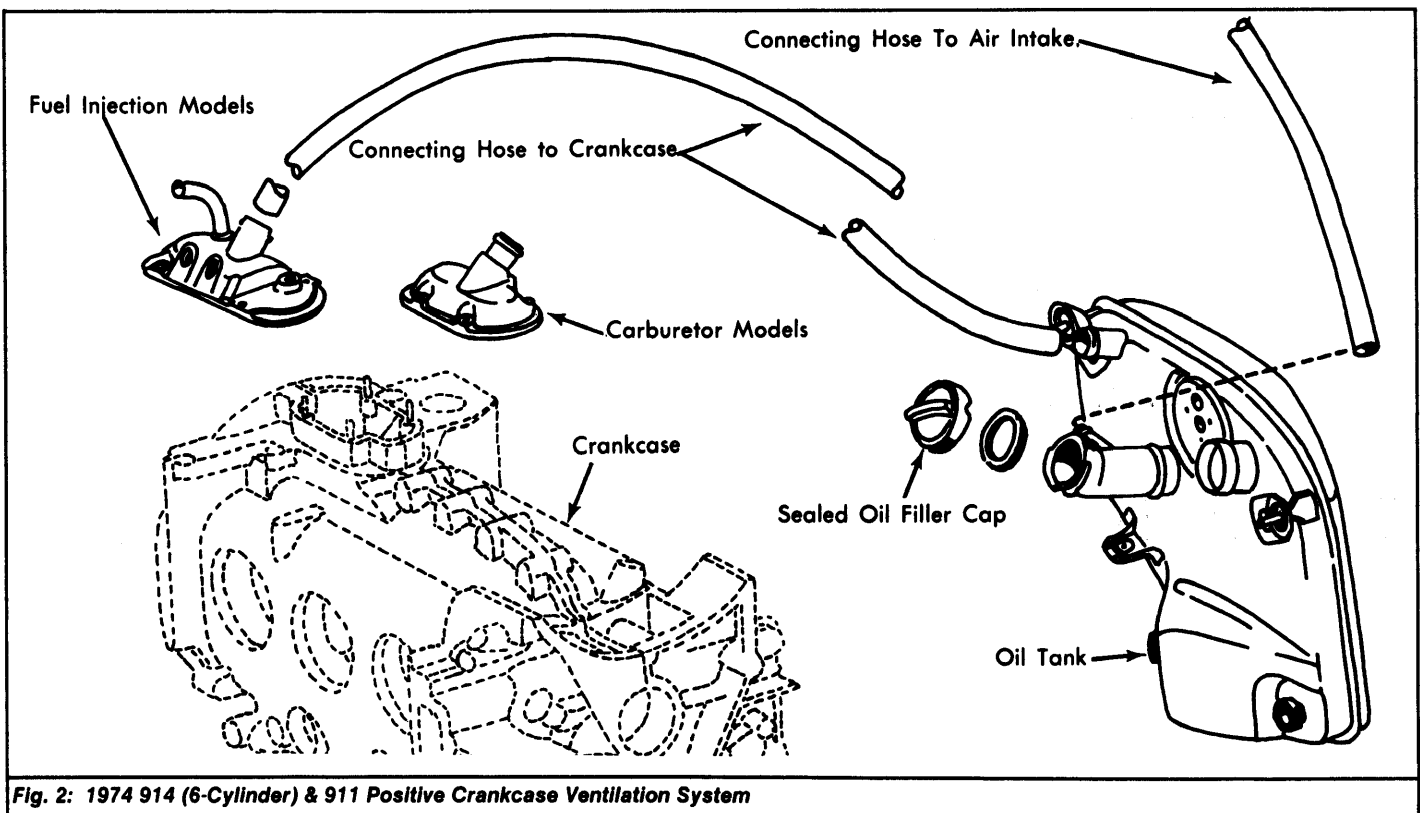
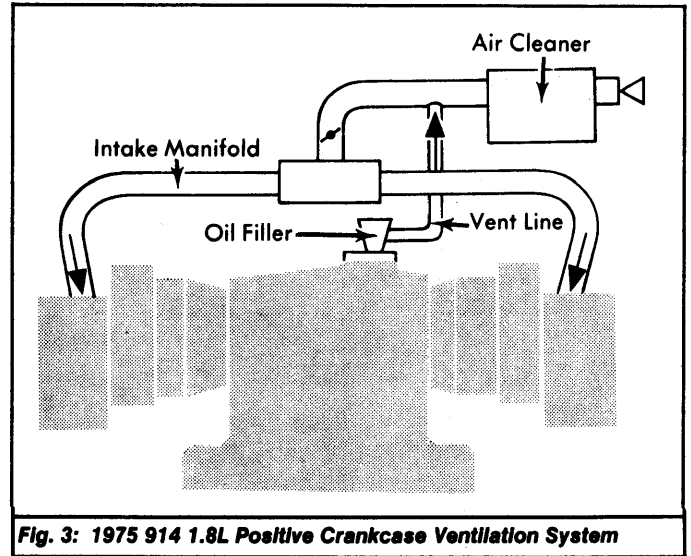
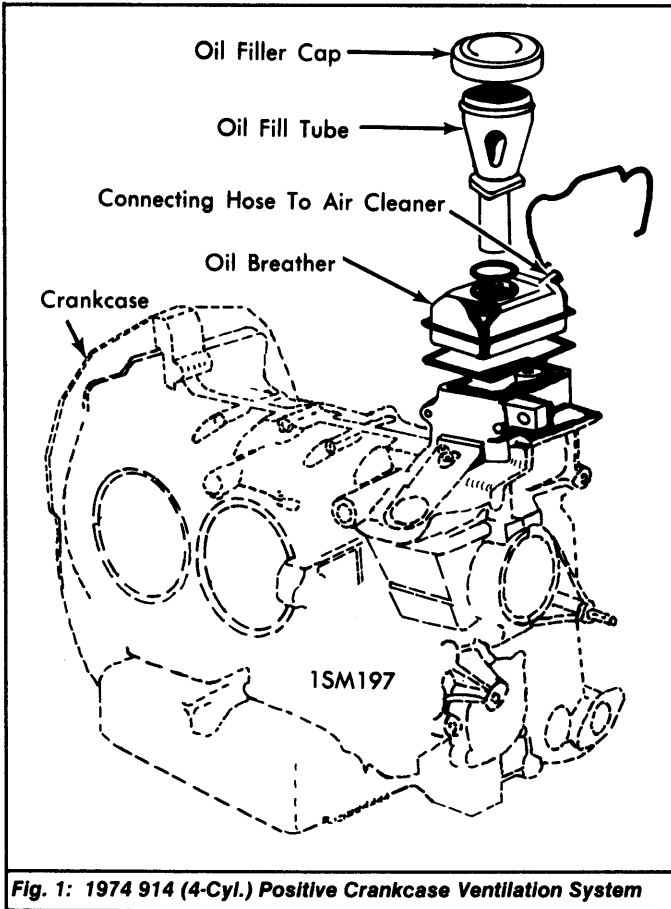


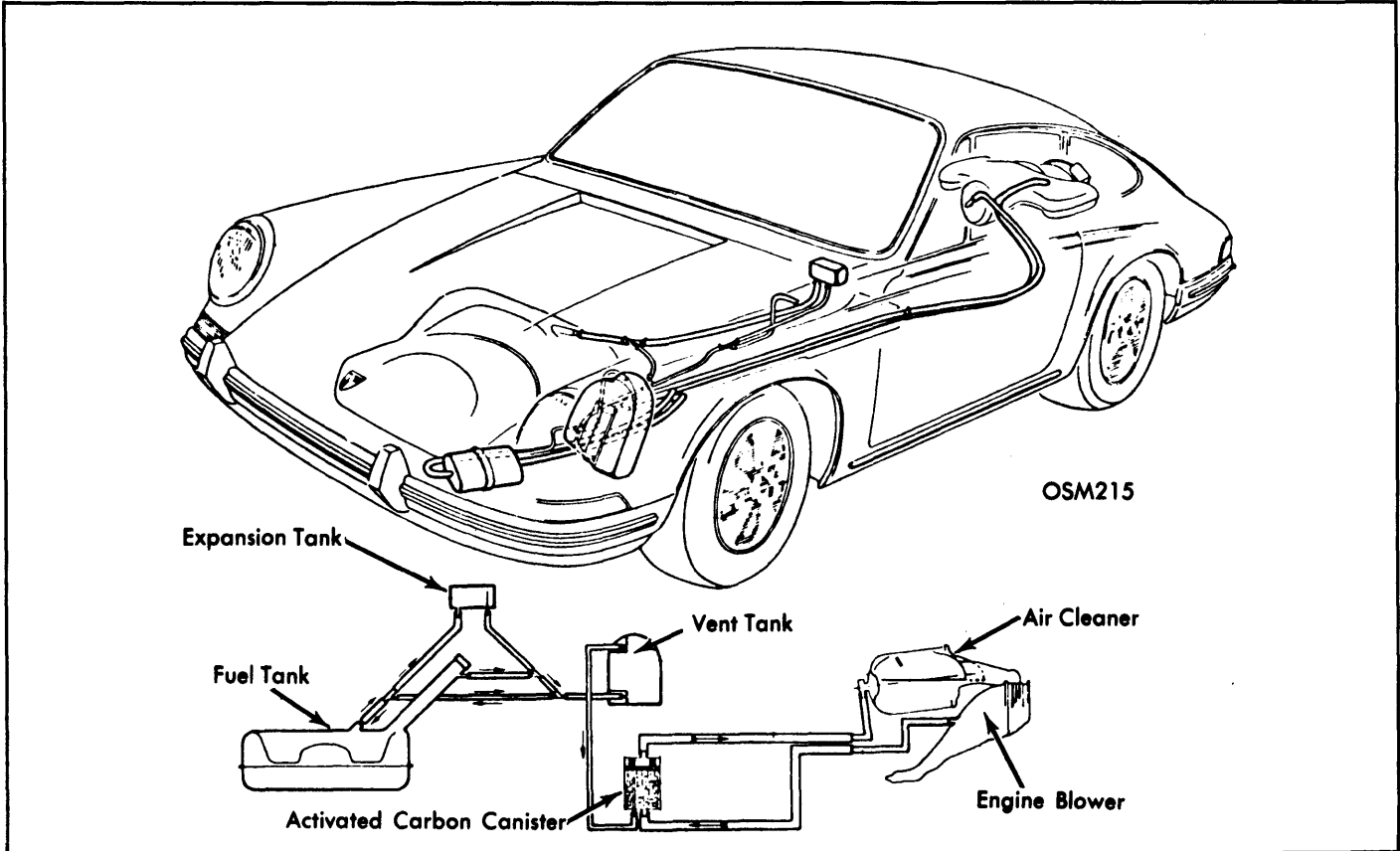
# 1974-79 EXHAUST EMISSION SYSTEMS

## Porsche Vacuum Diagrams

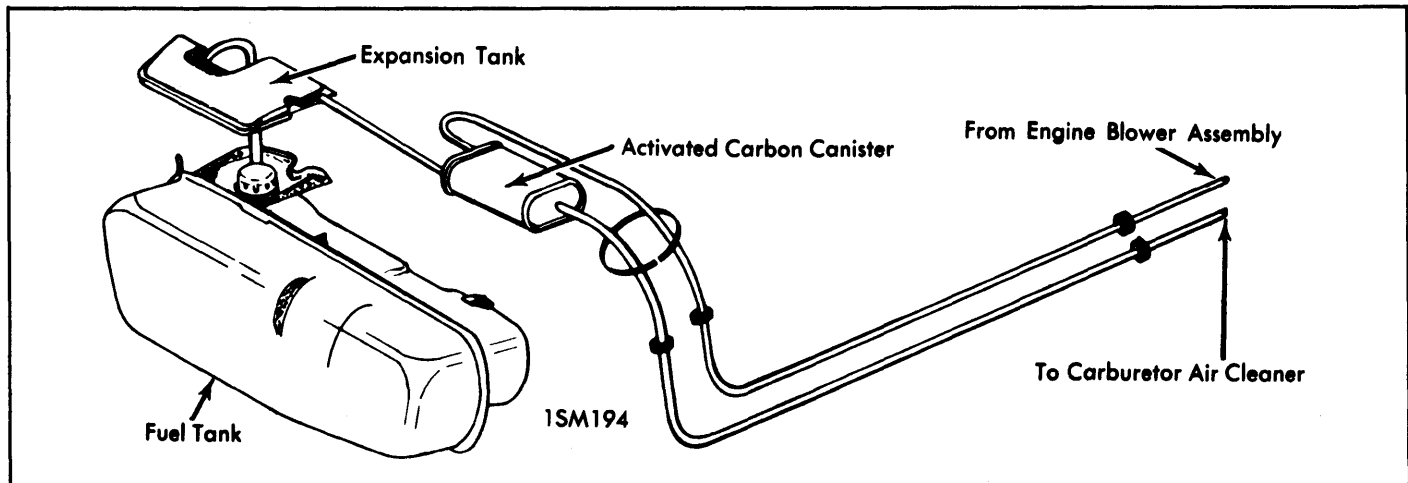


# 1974-79 EXHAUST EMISSION SYSTEMS

## Porsche Vacuum Diagrams (Cont.)



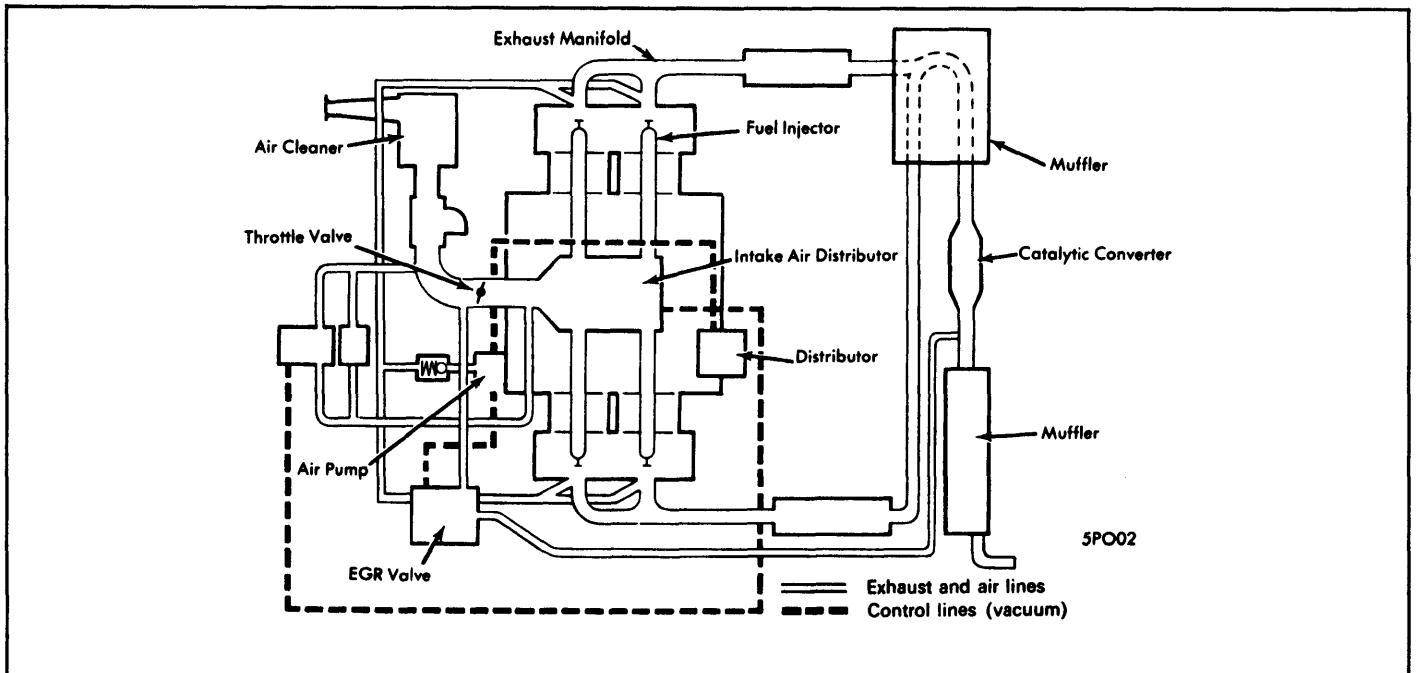
**Fig. 4: 1974-76 911E, 911S & 911T Fuel Evaporation System**



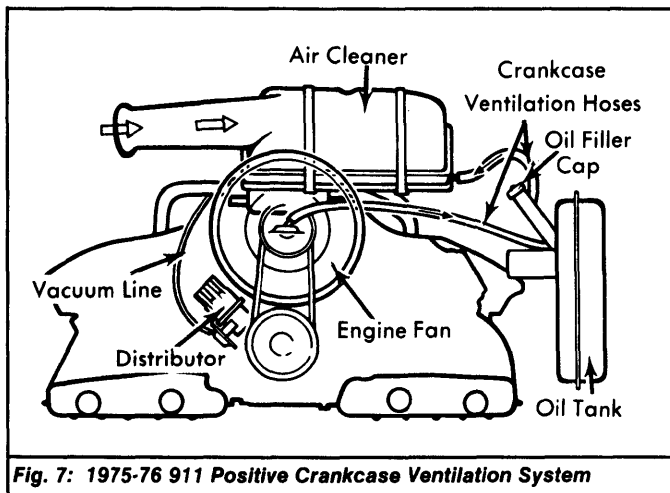
**Fig. 5: 1974-76 914 Fuel Evaporation System**

# 1974-79 EXHAUST EMISSION SYSTEMS

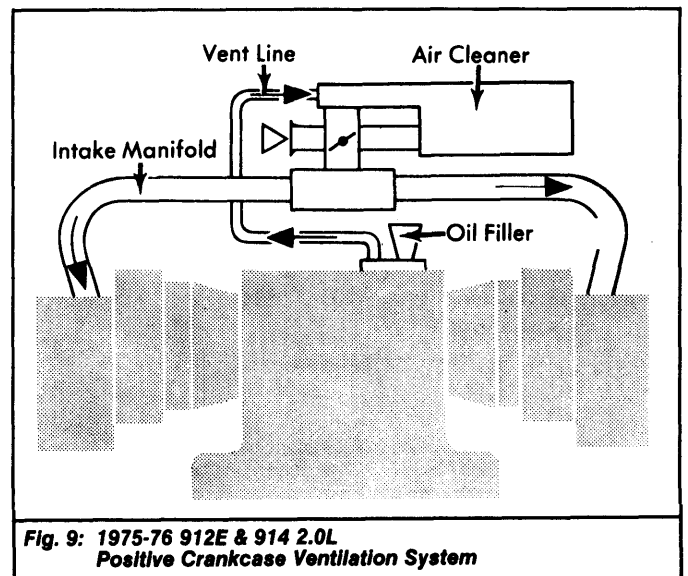
## Porsche Vacuum Diagrams (Cont.)



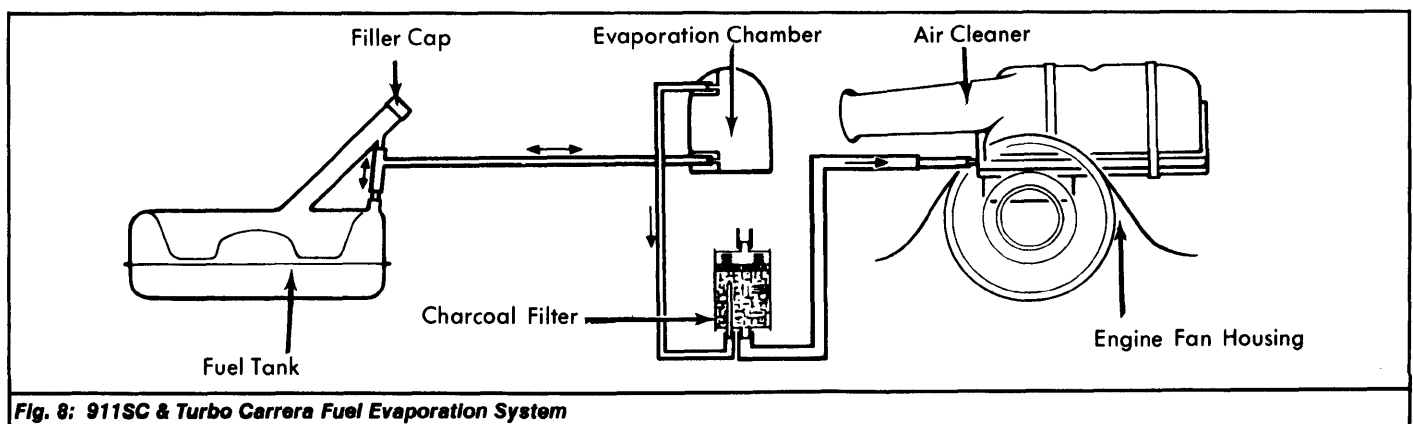
**Fig. 6: 1975-76 912E & 914 Exhaust Emission System**



**Fig. 7: 1975-76 911 Positive Crankcase Ventilation System**



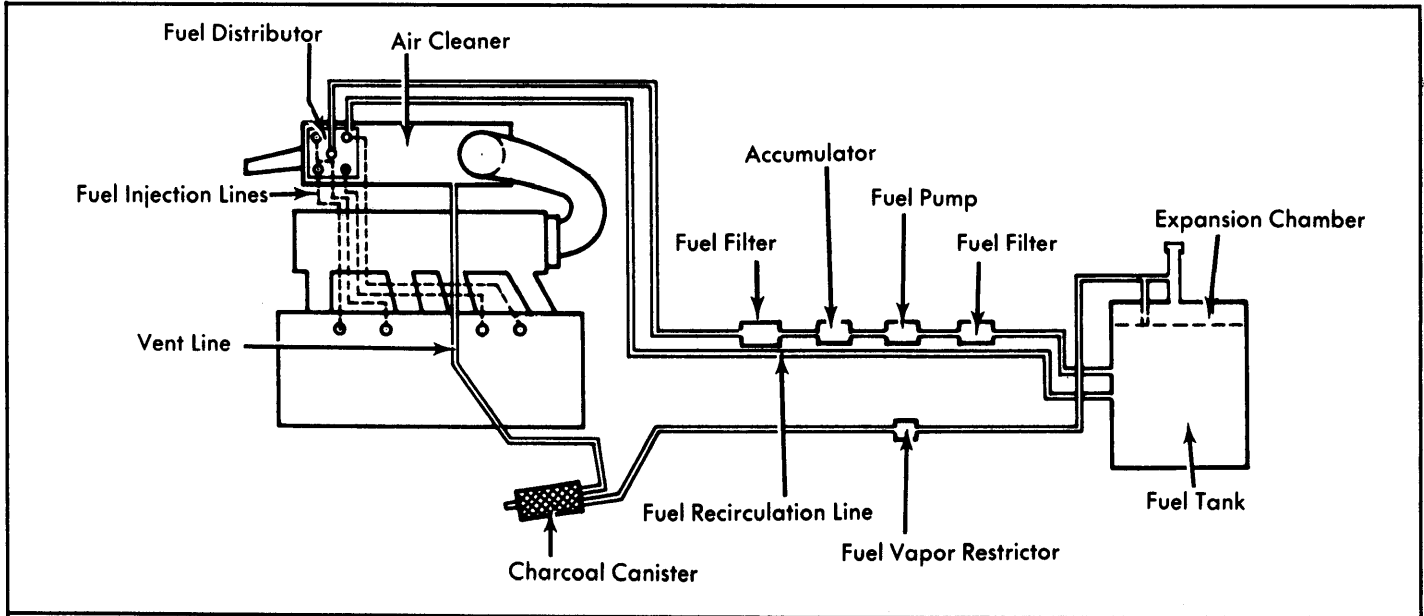
**Fig. 9: 1975-76 912E & 914 2.0L Positive Crankcase Ventilation System**



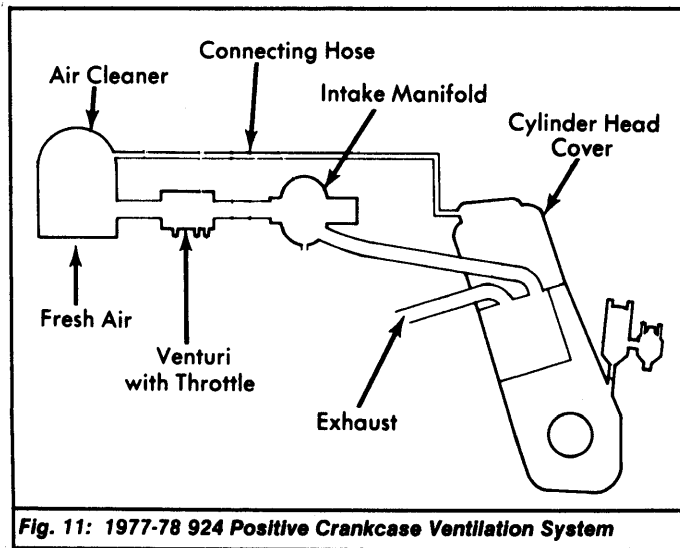
**Fig. 8: 911SC & Turbo Carrera Fuel Evaporation System**

# 1974-79 EXHAUST EMISSION SYSTEMS

## Porsche Vacuum Diagrams (Cont.)



**Fig. 10: 1977-78 924 Fuel Evaporation System**



**Fig. 11: 1977-78 924 Positive Crankcase Ventilation System**

# 1974-79 EXHAUST EMISSION SYSTEMS Porsche Vacuum Diagrams (Cont.)

3-371

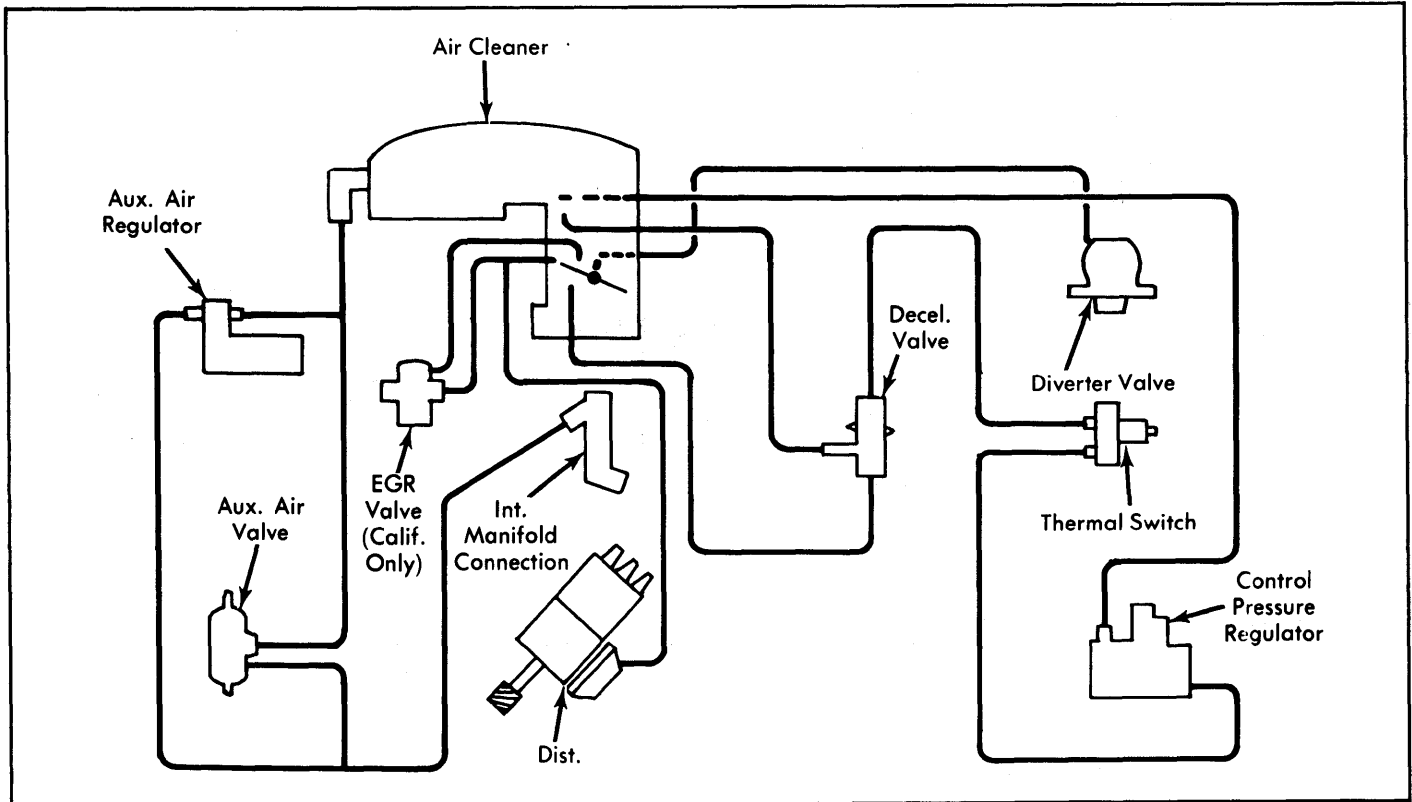


Fig. 12: 1978 911SC Exhaust Emission System

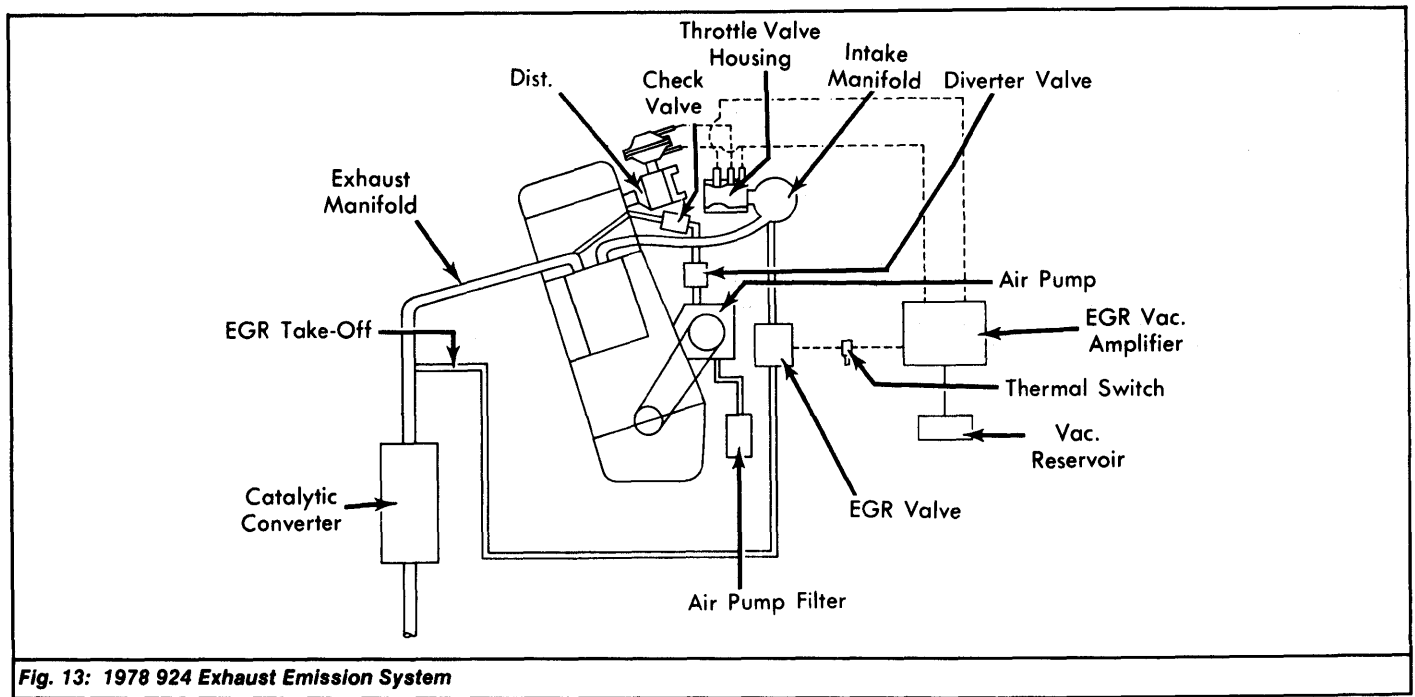


Fig. 13: 1978 924 Exhaust Emission System

# 1974-79 EXHAUST EMISSION SYSTEMS Porsche Vacuum Diagrams (Cont.)

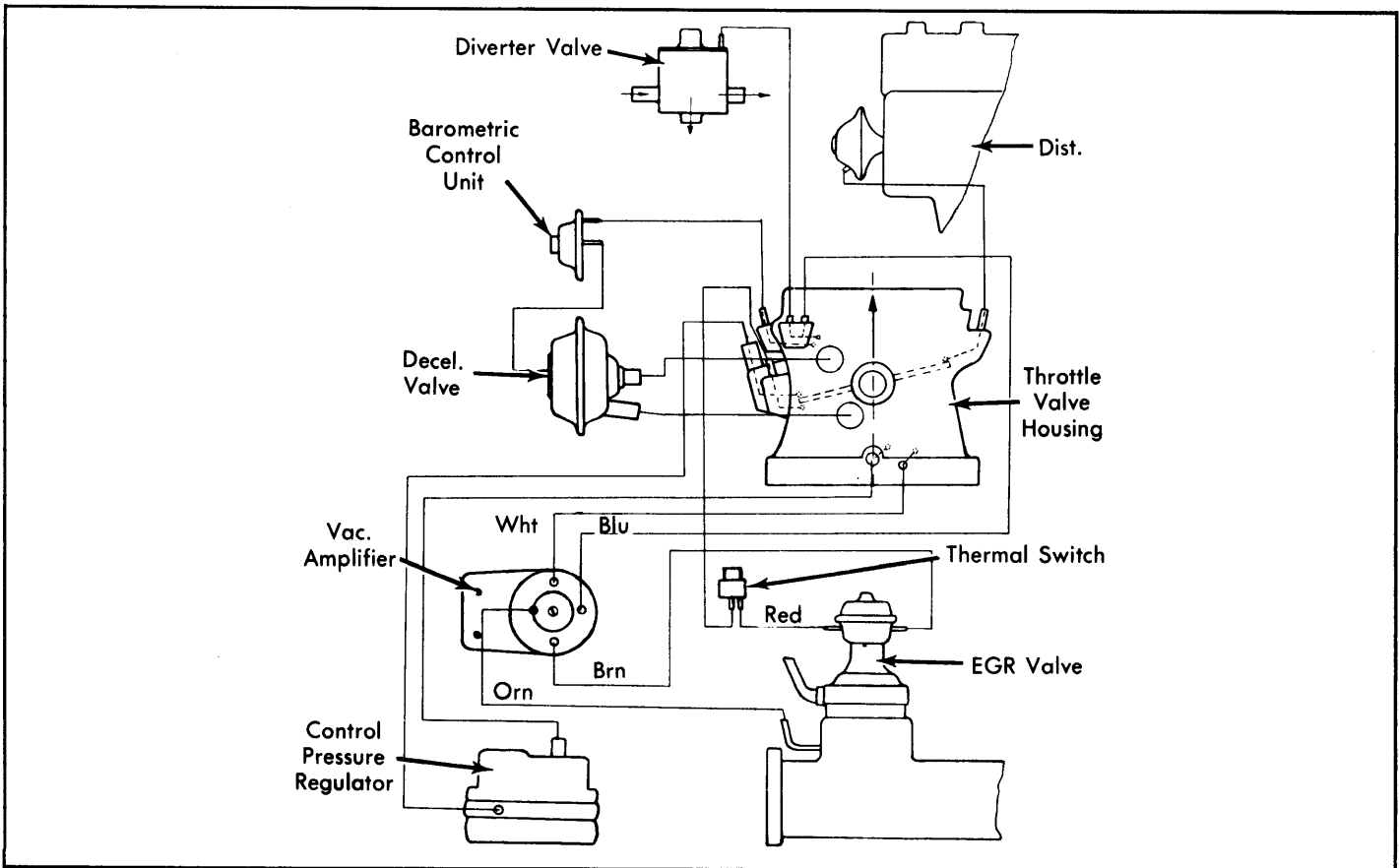


Fig. 14: 1978 928 Exhaust Emission System

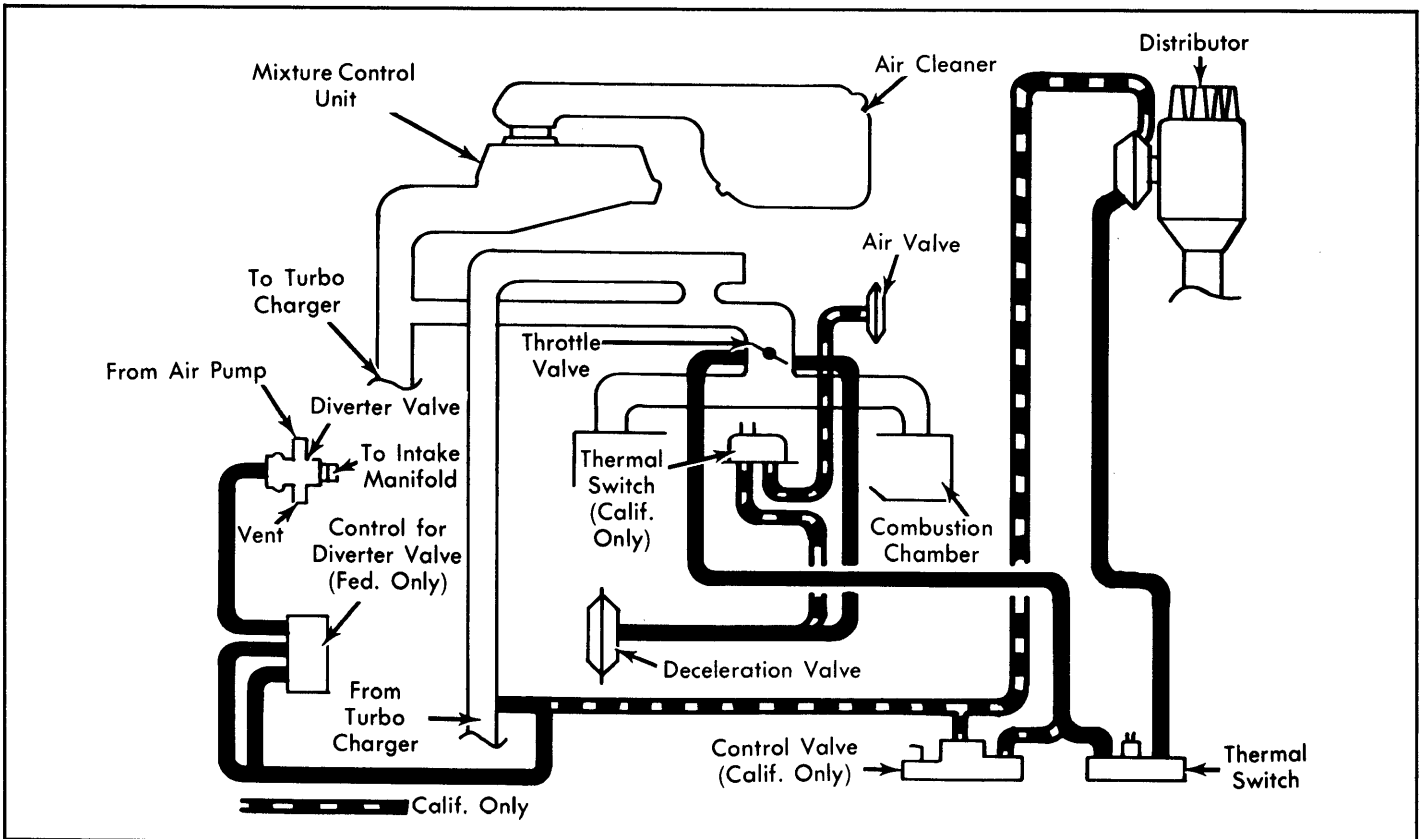
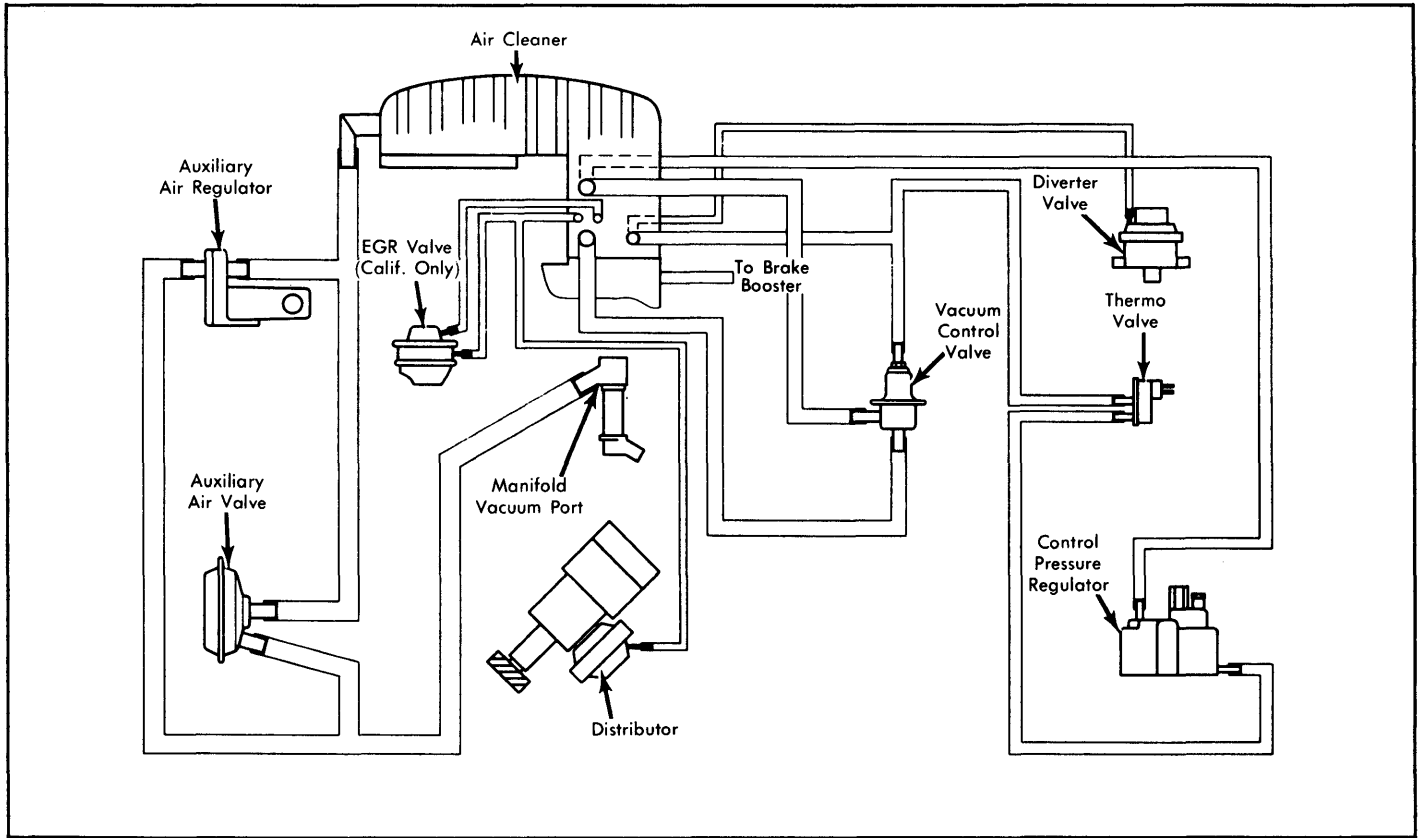


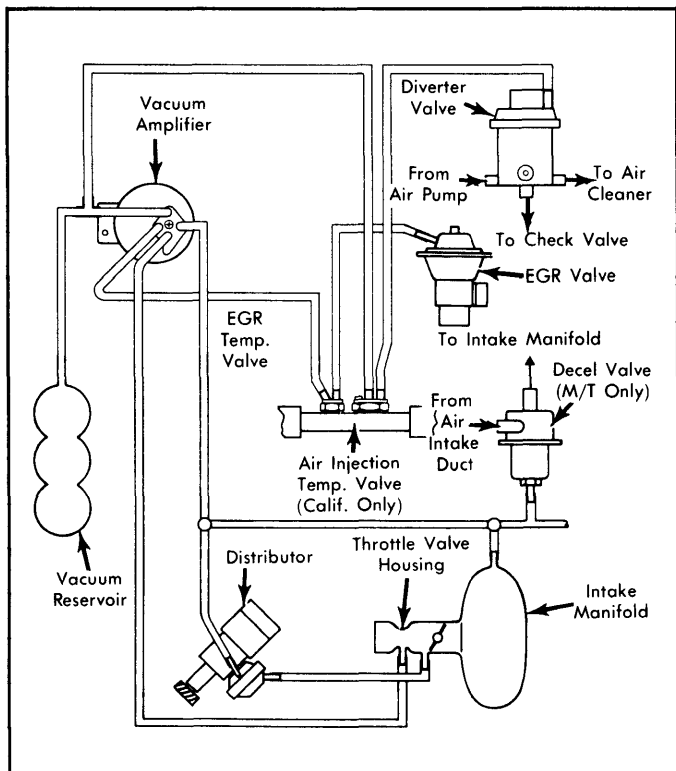
Fig. 15: 1978 Turbo Carrera Exhaust Emission System

# 1974-79 EXHAUST EMISSION SYSTEMS

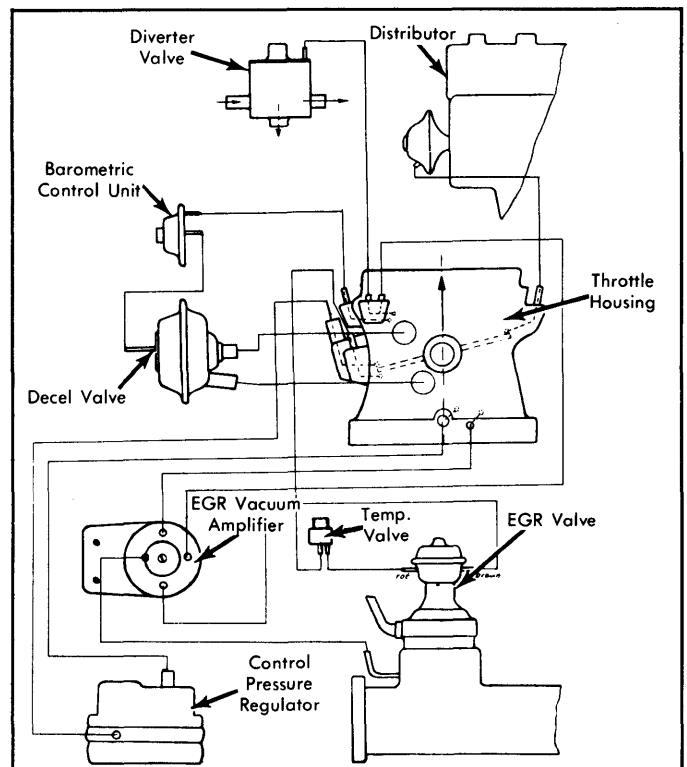
## Porsche Vacuum Diagrams (Cont.)



**Fig. 16: 1979 911SC Exhaust Emission System**



**Fig. 17: 1979 924 Exhaust Emission System**



**Fig. 18: 1979 928 Exhaust Emission System**

# 1974-79 EXHAUST EMISSION SYSTEMS Porsche Vacuum Diagrams (Cont.)

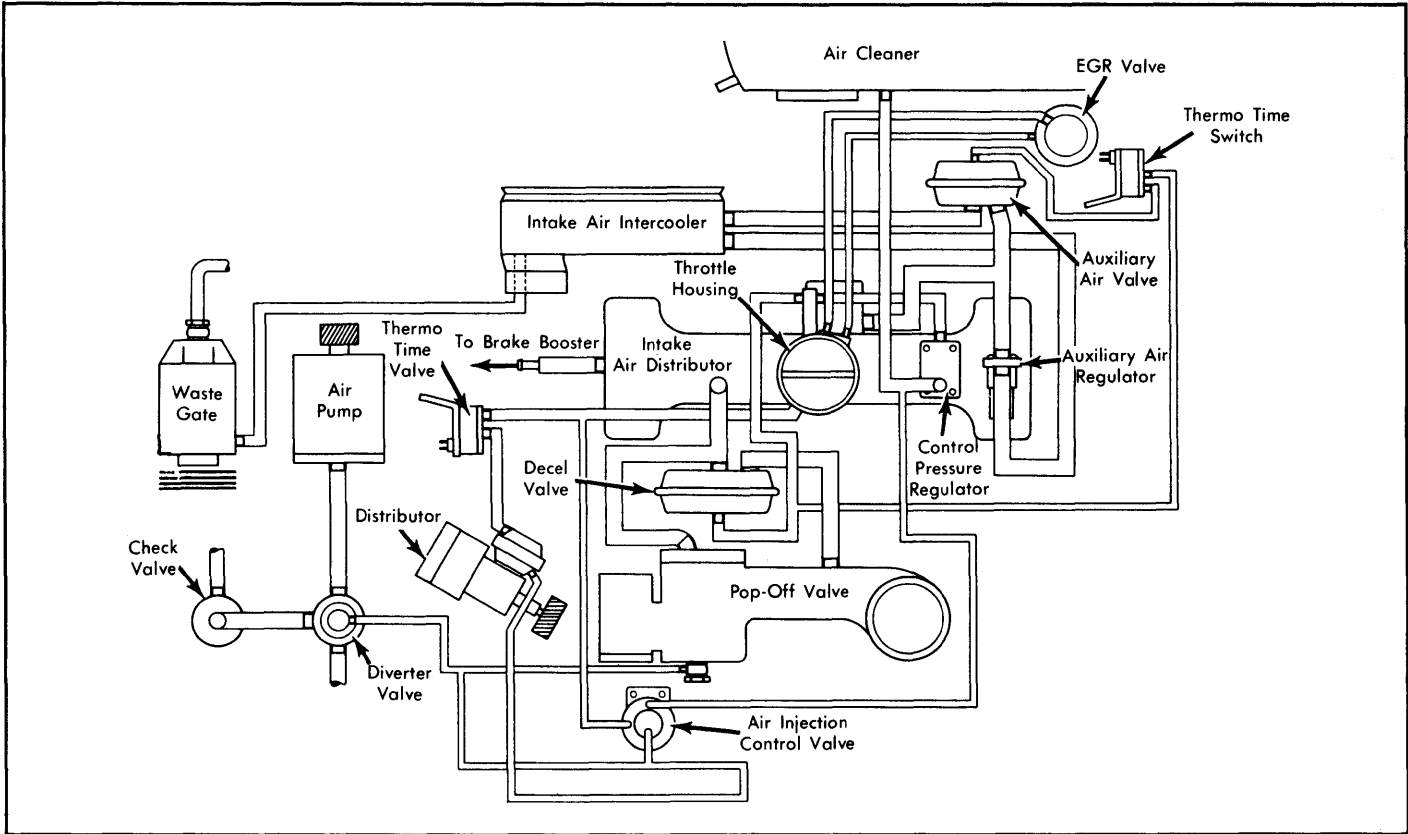


Fig. 19: 1979 Turbo Carrera Exhaust Emission System (California)

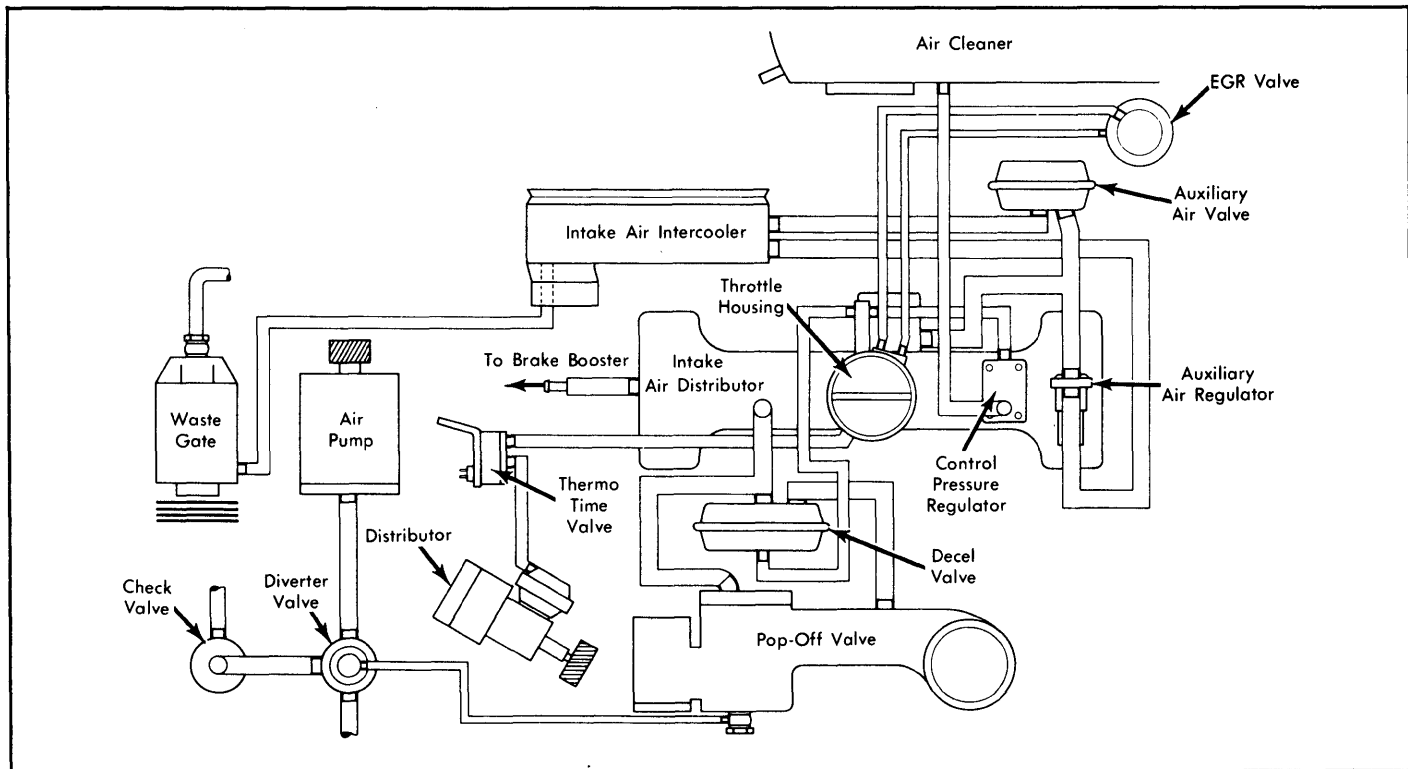


Fig. 20: 1979 Turbo Carrera Exhaust Emission System (Federal)