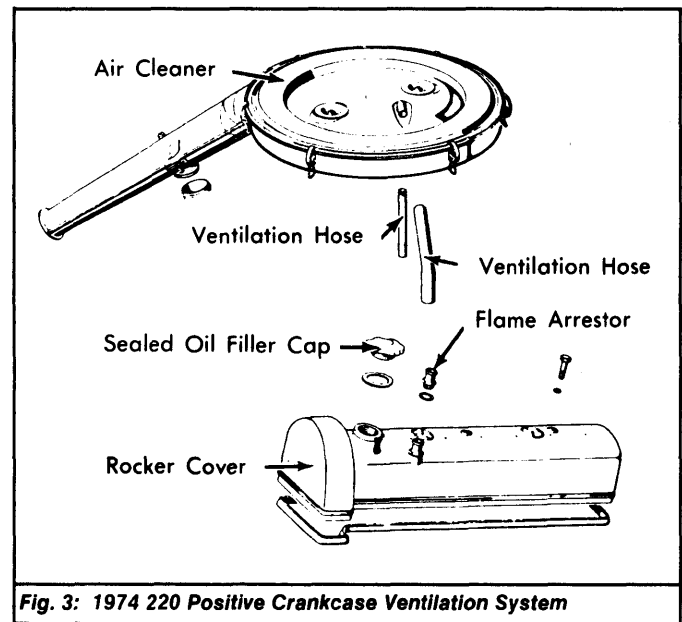
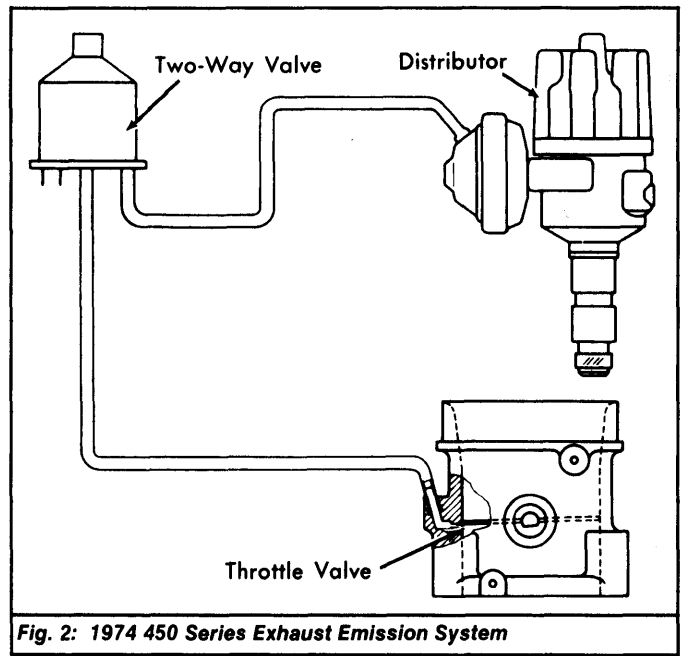
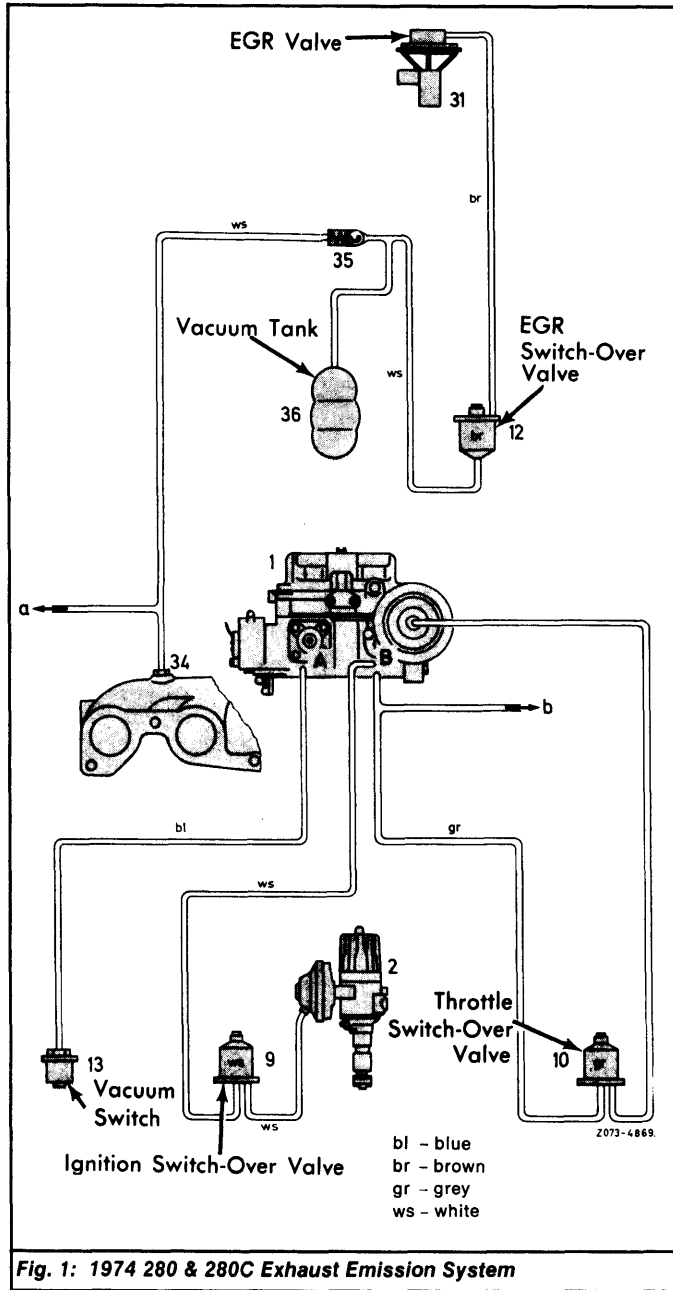


1974-79 EXHAUST EMISSION SYSTEMS

Mercedes-Benz Vacuum Diagrams



1974-79 EXHAUST EMISSION SYSTEMS Mercedes-Benz Vacuum Diagrams (Cont.)

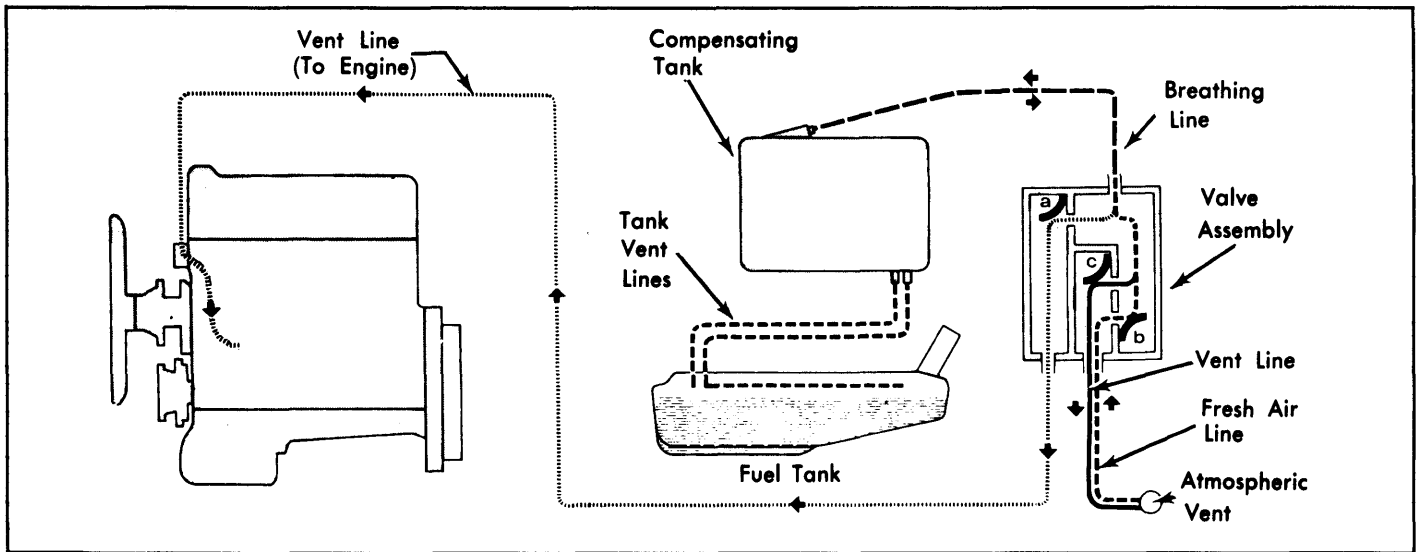


Fig. 4: 1974 Fuel Evaporation System

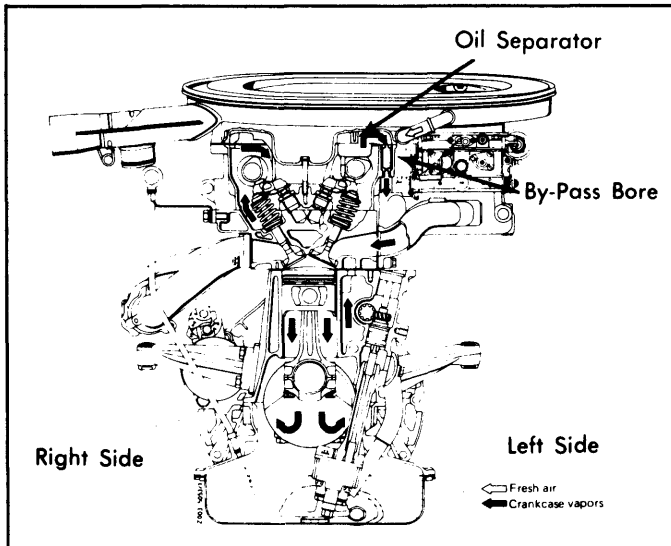


Fig. 5: 1974-76 280 & 280C Positive Crankcase Ventilation System

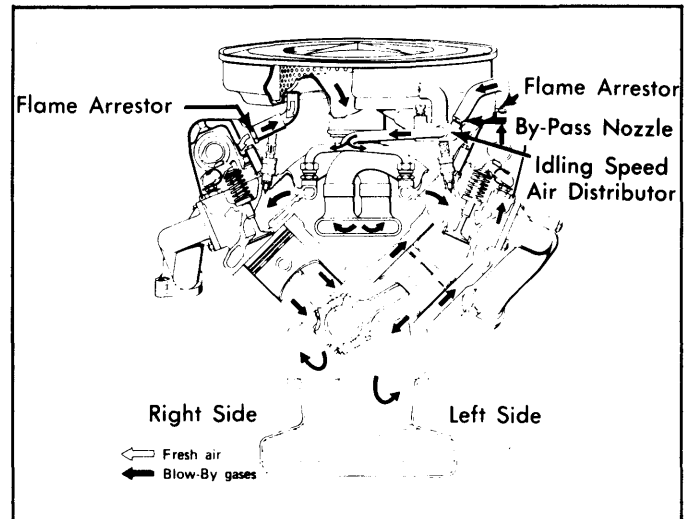


Fig. 6: 1974-76 Positive Crankcase Ventilation System
(Fuel Injected Models)

1974-79 EXHAUST EMISSION SYSTEMS Mercedes-Benz Vacuum Diagrams (Cont.)

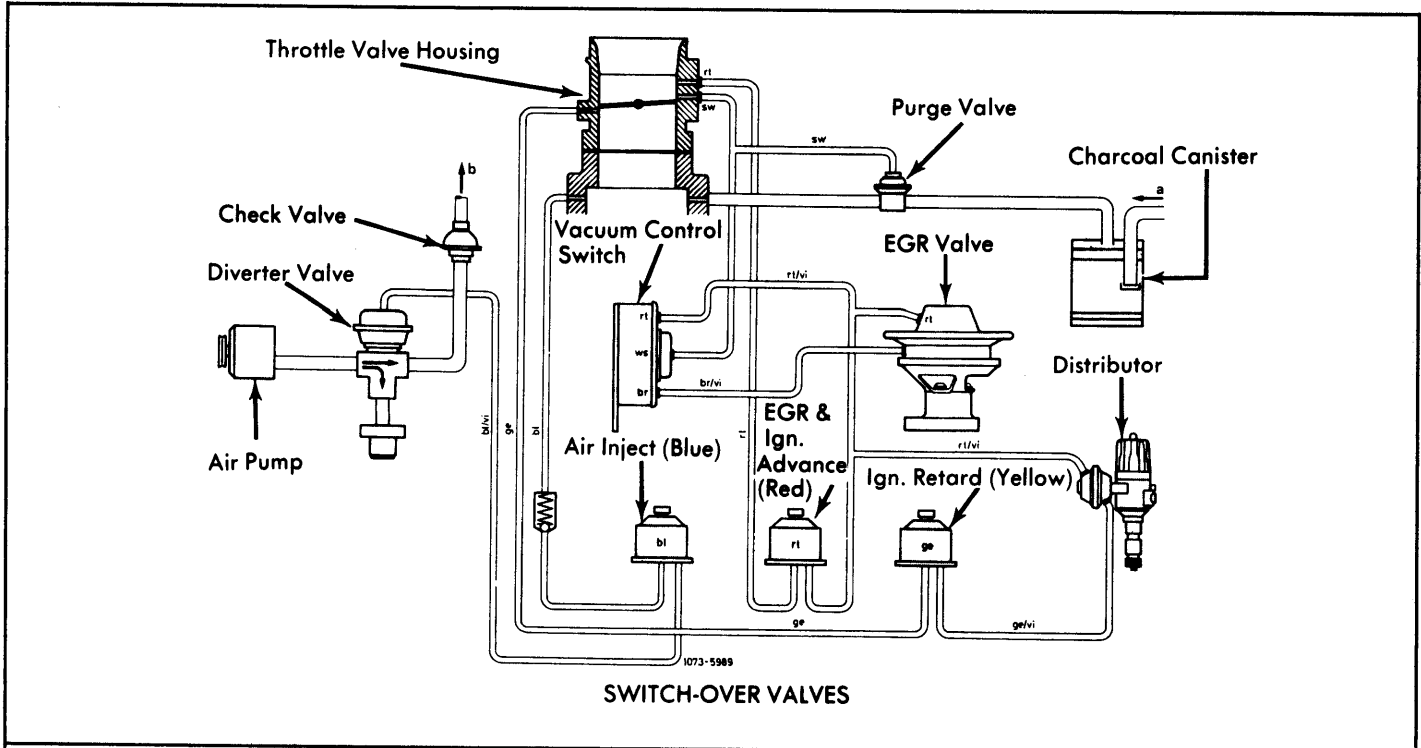


Fig. 7: 1975 450 Series Exhaust Emission System

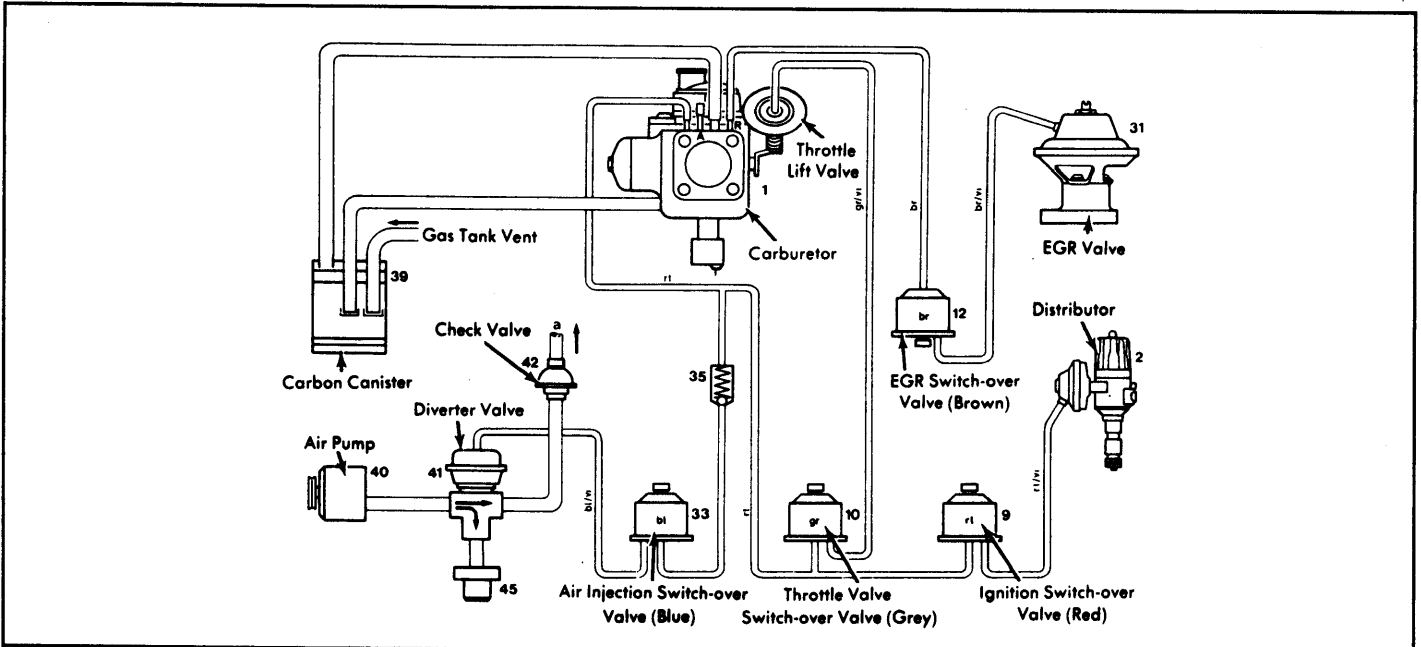


Fig. 8: 1975-76 230 Series Exhaust Emission System

1974-79 EXHAUST EMISSION SYSTEMS Mercedes-Benz Vacuum Diagrams (Cont.)

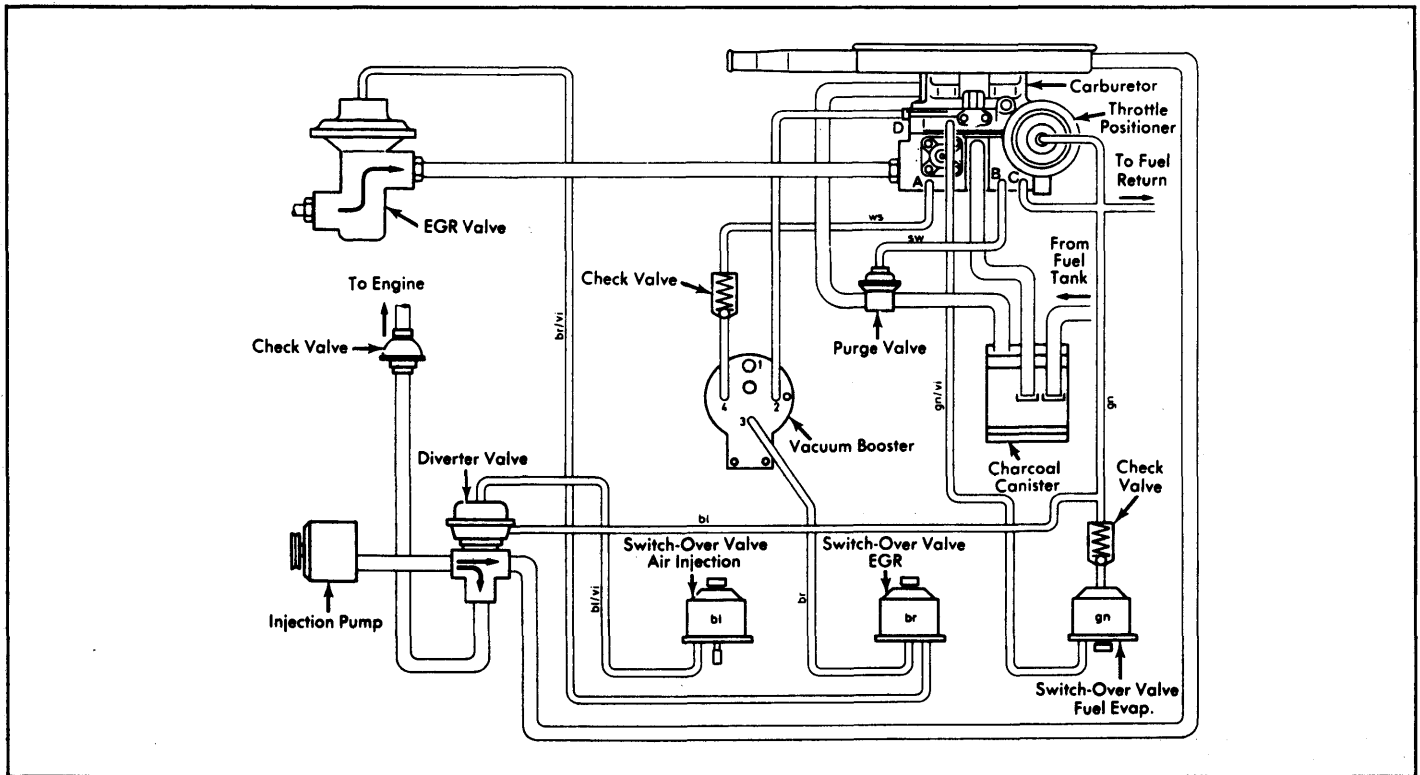


Fig. 9: 1975-76 280 Series Exhaust Emission System

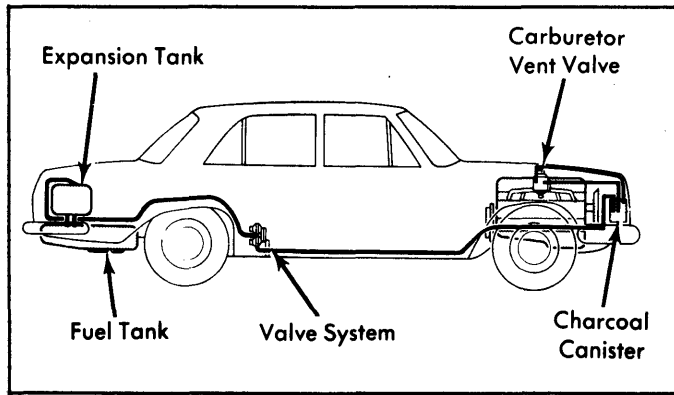


Fig. 10: 1975-76 230 Series Fuel Evaporation System

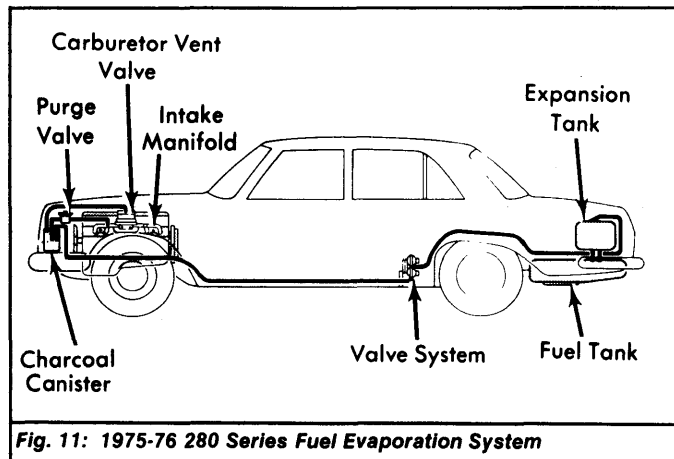


Fig. 11: 1975-76 280 Series Fuel Evaporation System

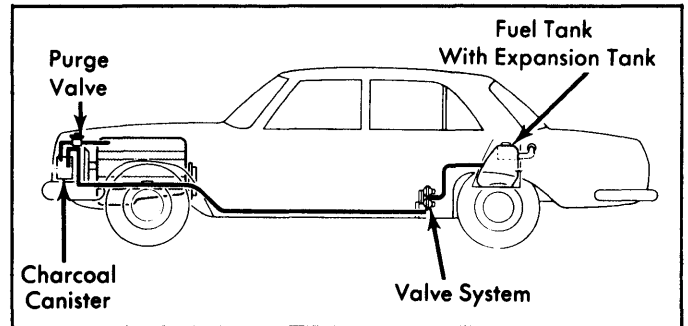


Fig. 12: 1975-76 450 Series Fuel Evaporation System

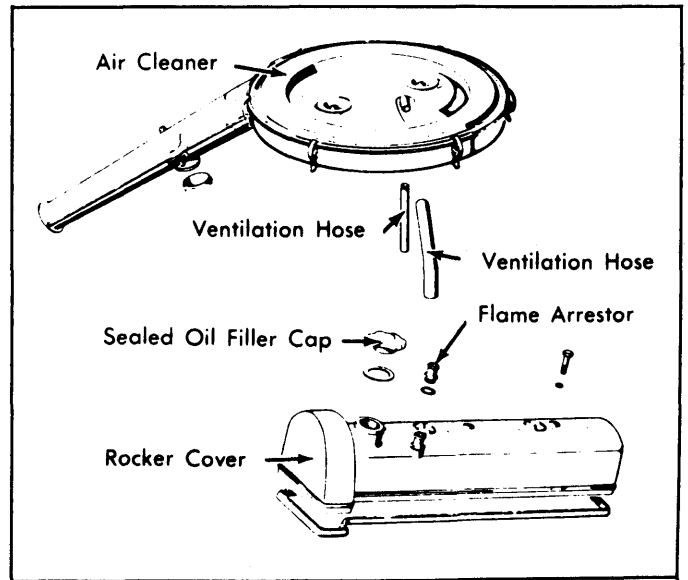


Fig. 13: 1975-76 230 Positive Crankcase Ventilation System

1974-79 EXHAUST EMISSION SYSTEMS

Mercedes-Benz Vacuum Diagrams (Cont.)

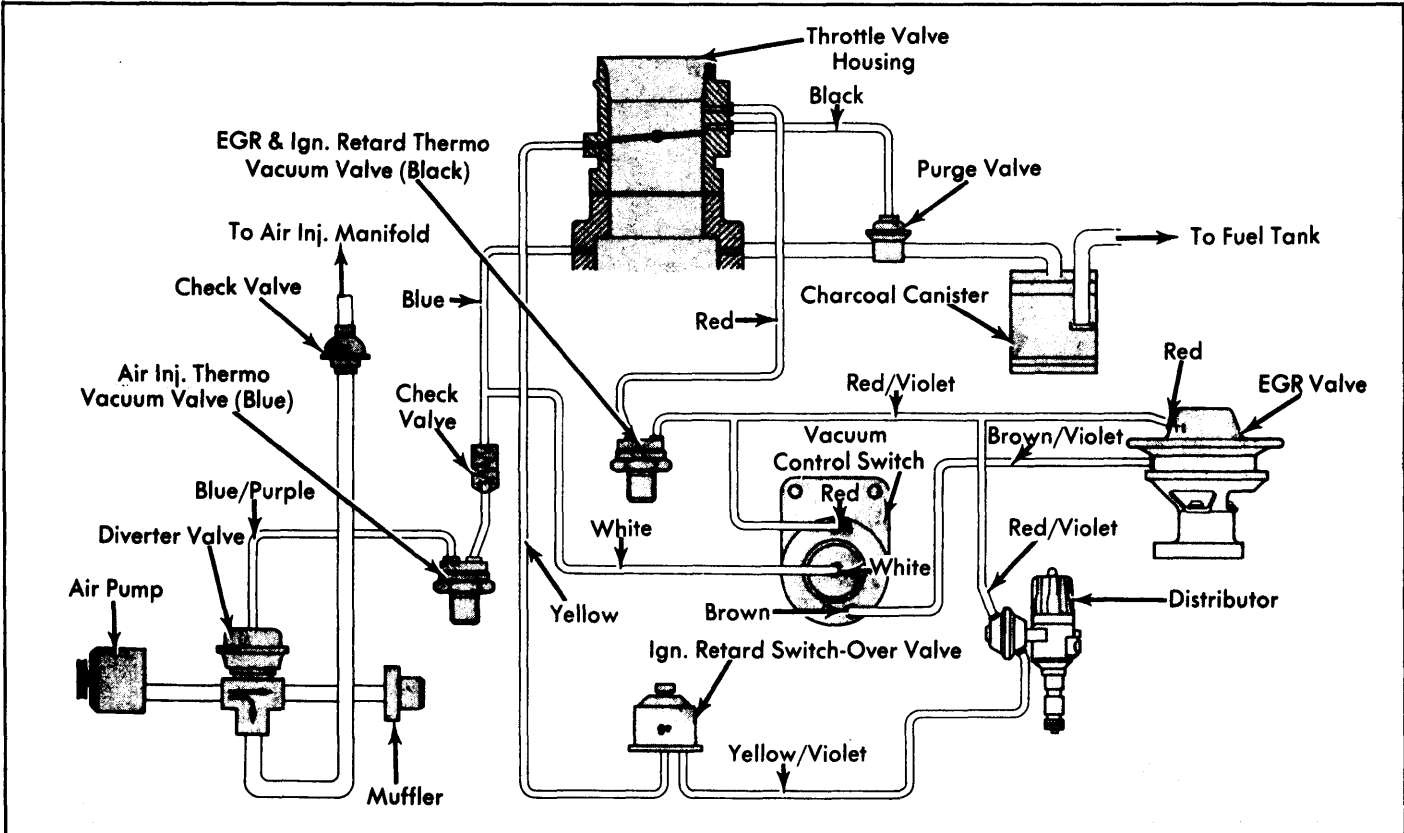


Fig. 14: 1976 450 Series Exhaust Emission System

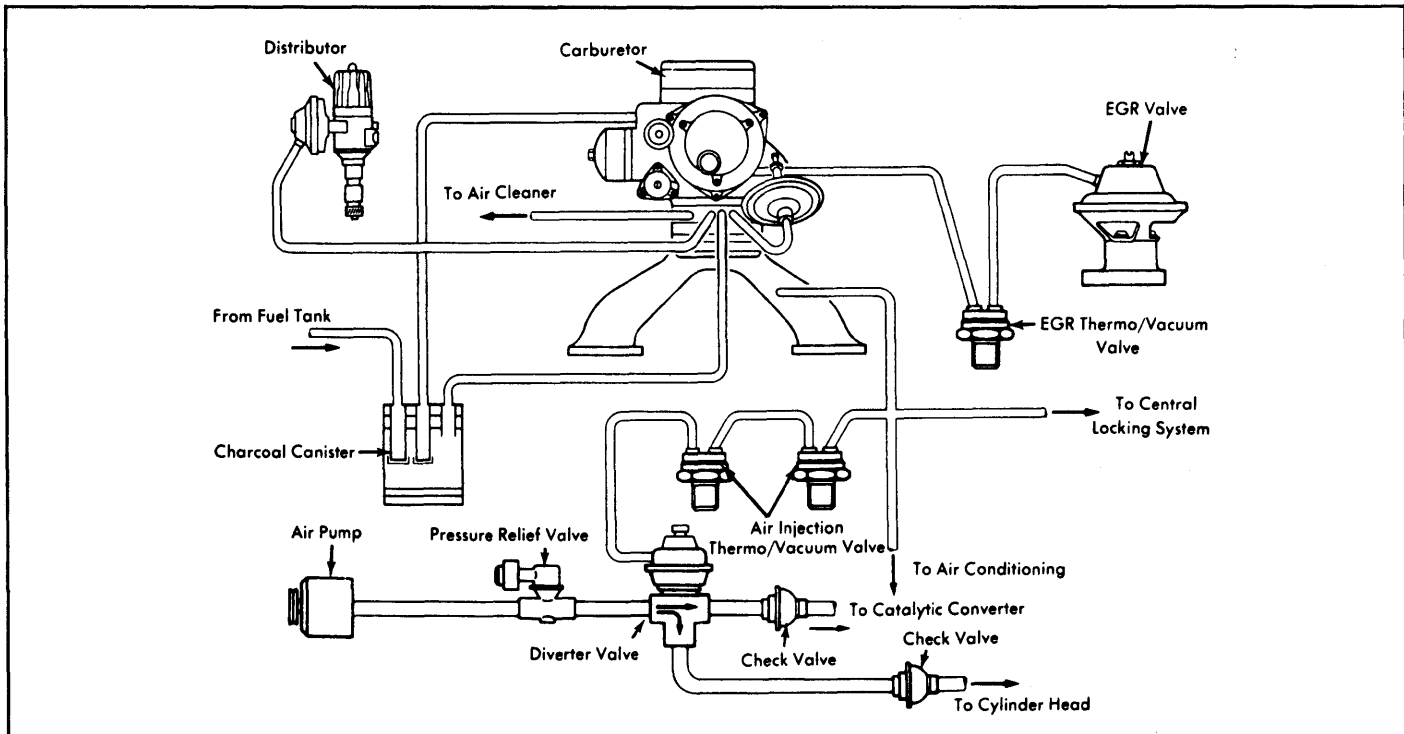


Fig. 15: 1977 230 Series Exhaust Emission System

1974-79 EXHAUST EMISSION SYSTEMS Mercedes-Benz Vacuum Diagrams (Cont.)

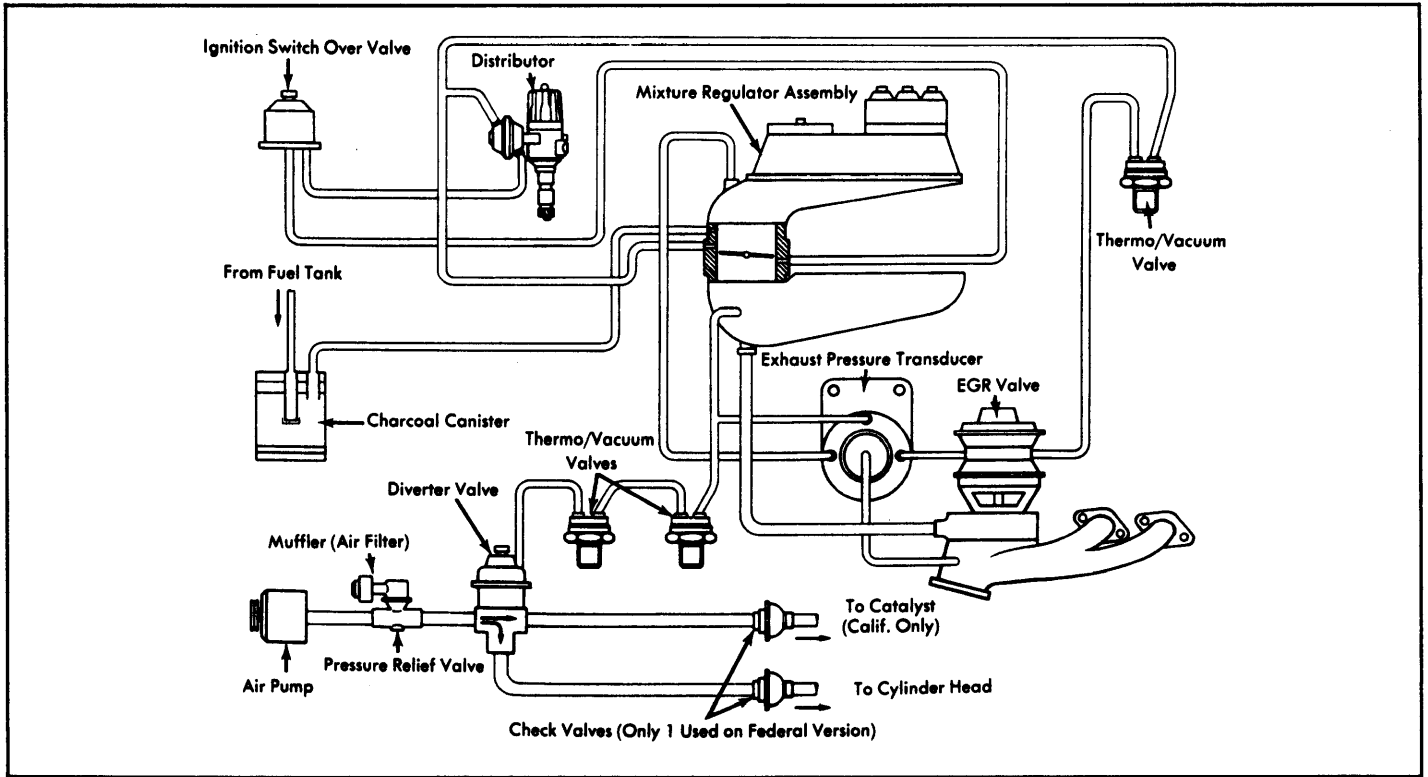


Fig. 16: 1977 280 Series Exhaust Emission System (California)

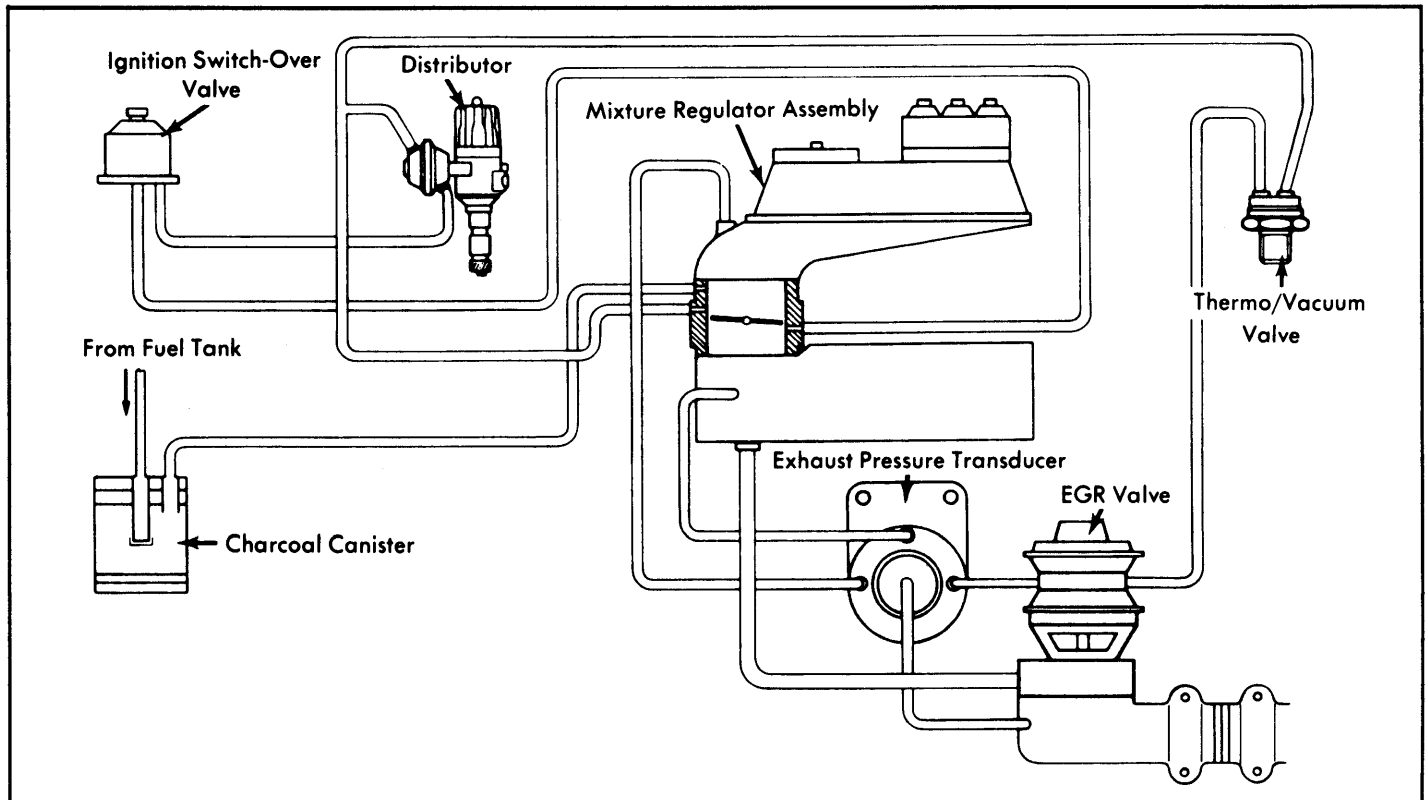


Fig. 17: 1977 450SEL, 450SL & 450SLC Exhaust Emission System (Federal)

1974-79 EXHAUST EMISSION SYSTEMS Mercedes-Benz Vacuum Diagrams (Cont.)

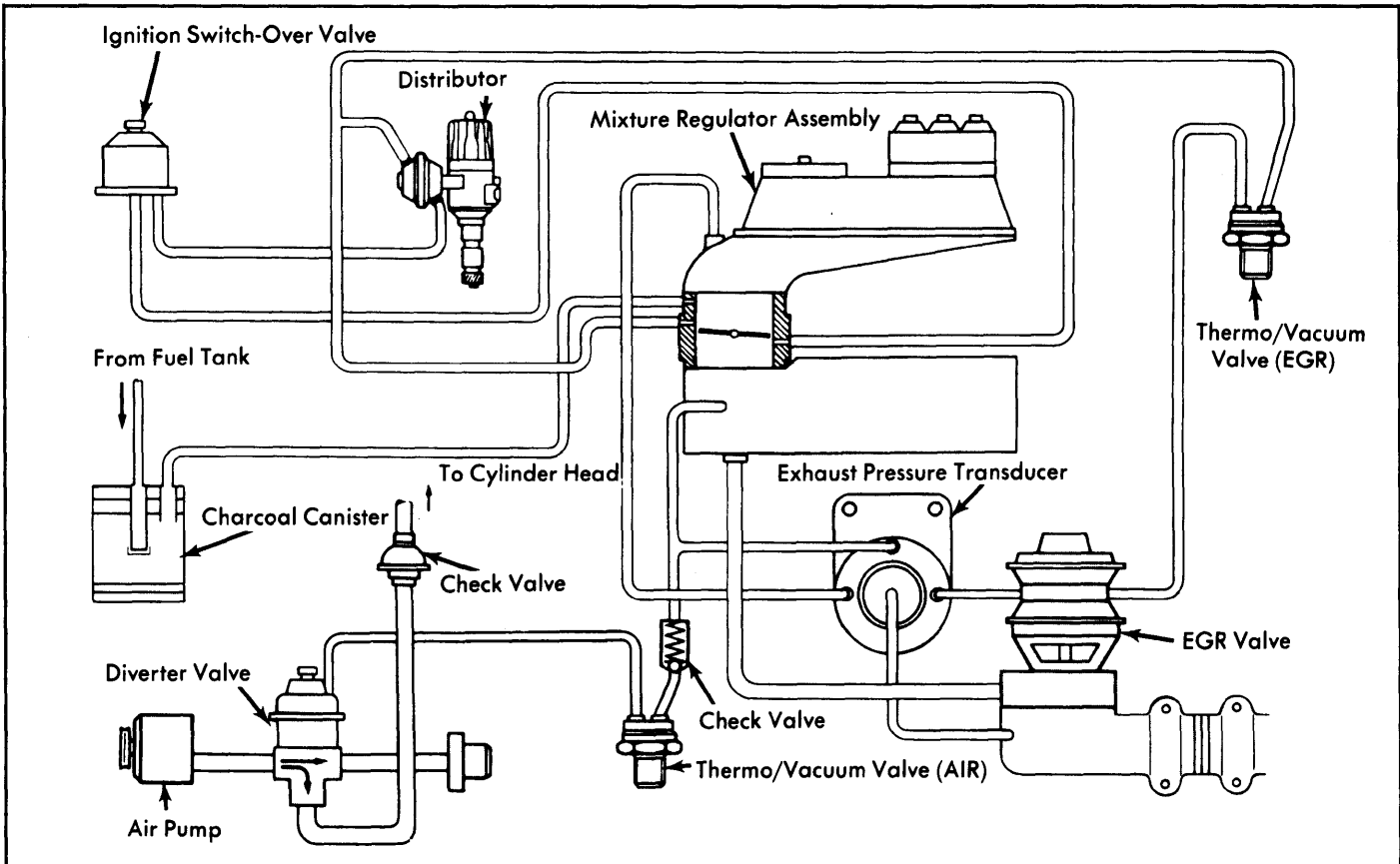


Fig. 18: 1977 450SEL, 450SL, 450SLC & 6.9 (California)

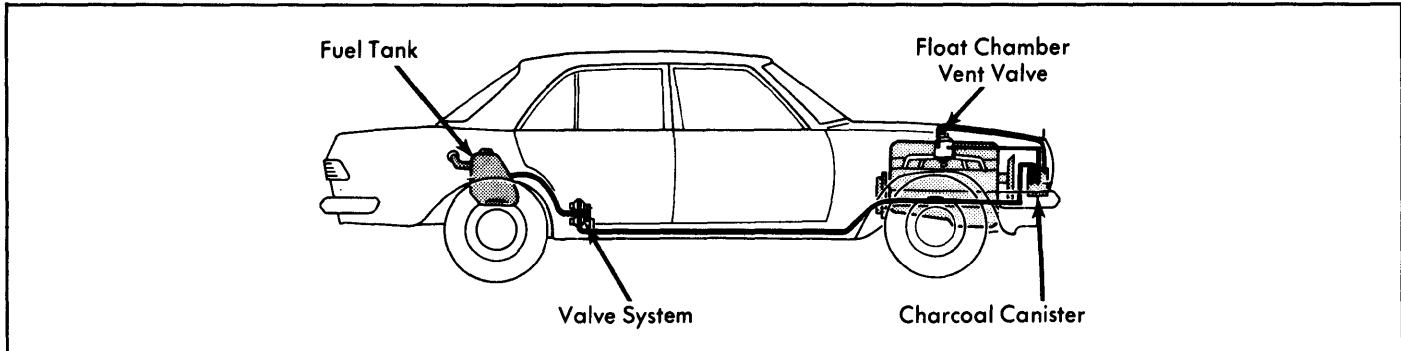


Fig. 19: 1977 230 Series Fuel Evaporation System

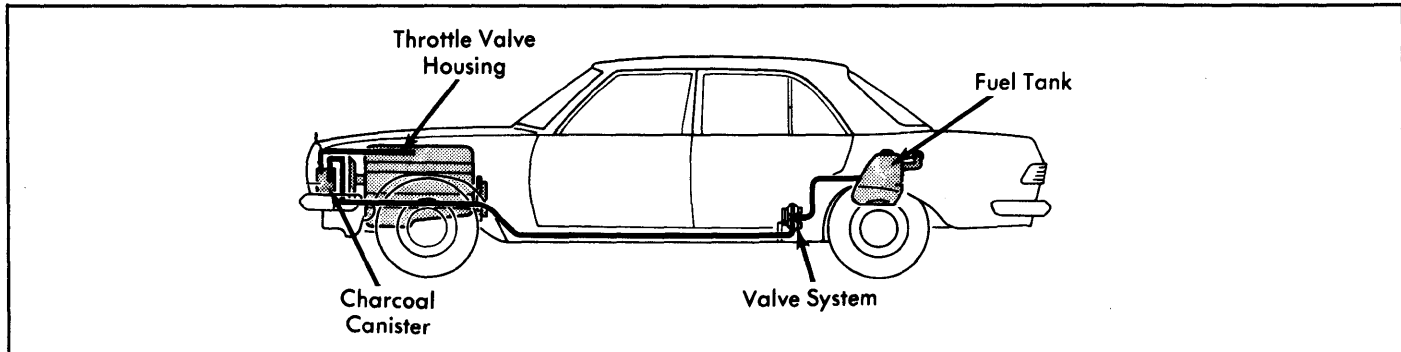


Fig. 20: 1977 280 Series Fuel Evaporation System (450 Series Similar)

1974-79 EXHAUST EMISSION SYSTEMS Mercedes-Benz Vacuum Diagrams (Cont.)

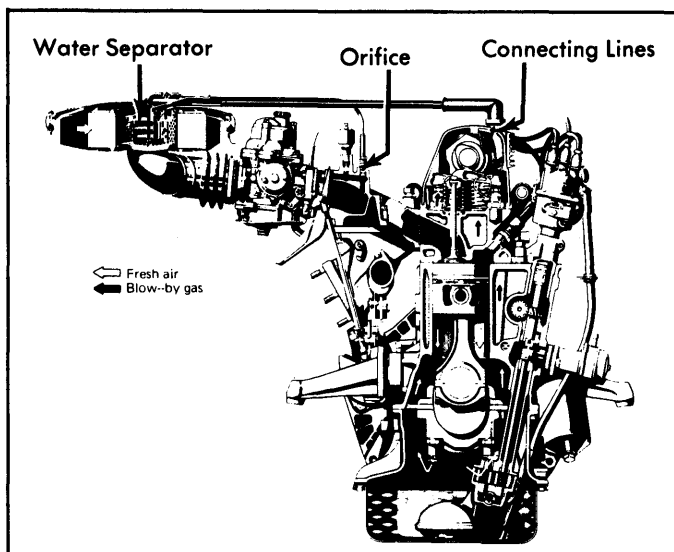


Fig. 21: 1977-78 230 Positive Crankcase Ventilation System

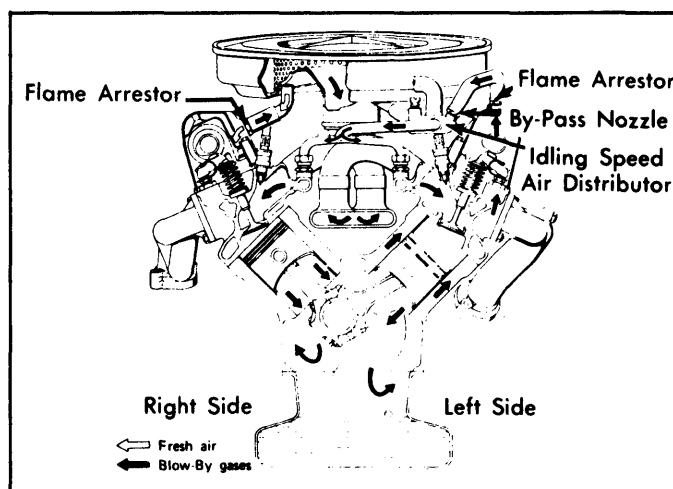


Fig. 23: 1977-78 450 & 6.9 Positive Crankcase Ventilation System

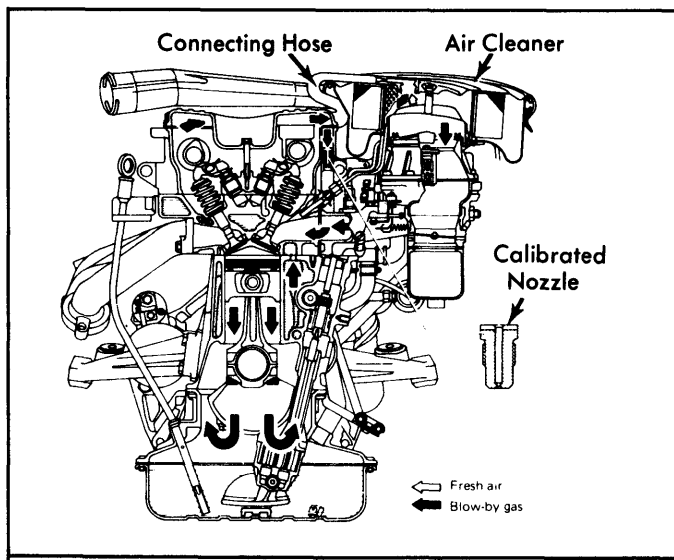


Fig. 22: 1977-78 280 Positive Crankcase Ventilation System

1974-79 EXHAUST EMISSION SYSTEMS

Mercedes-Benz Vacuum Diagrams (Cont.)

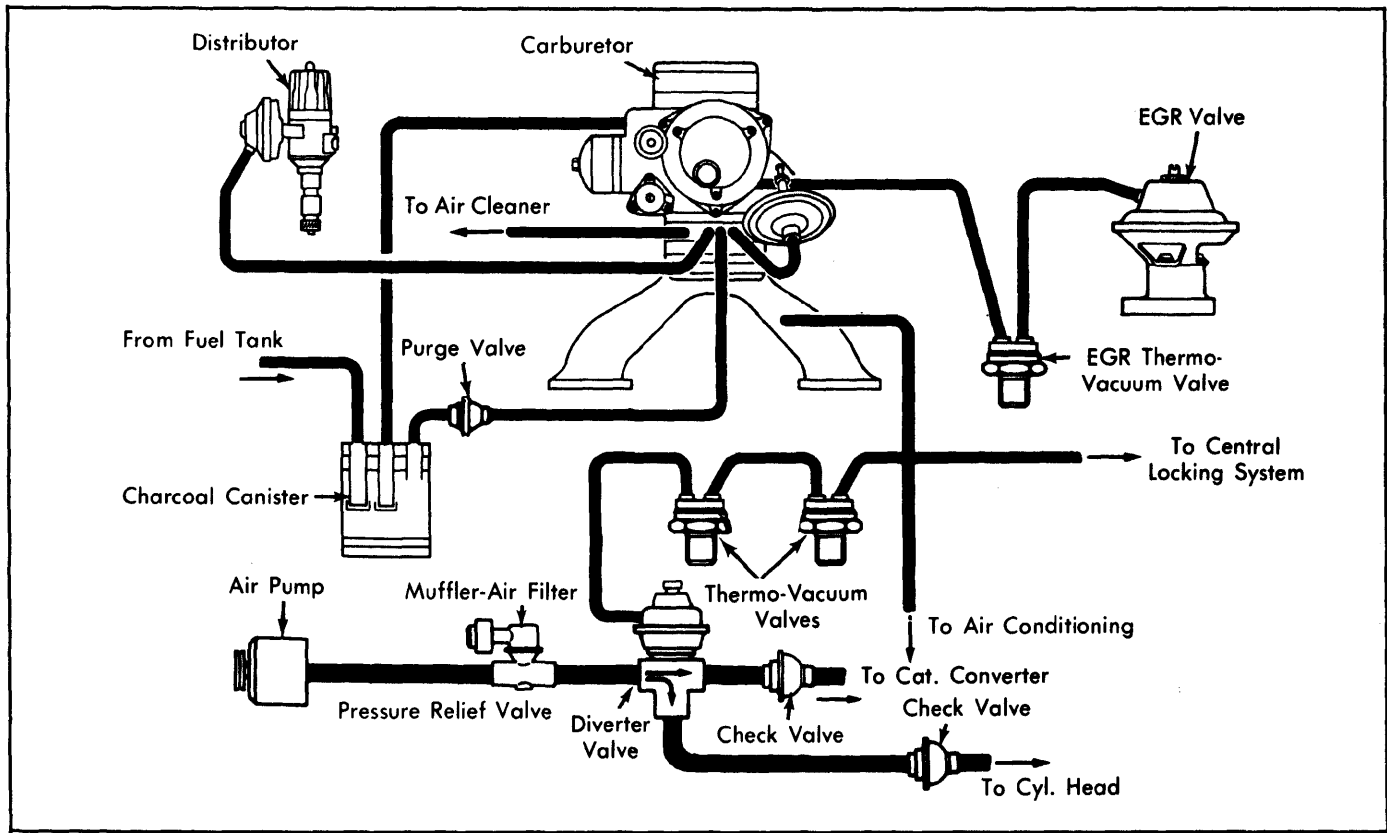


Fig. 24: 1978 230 Series Exhaust Emission System

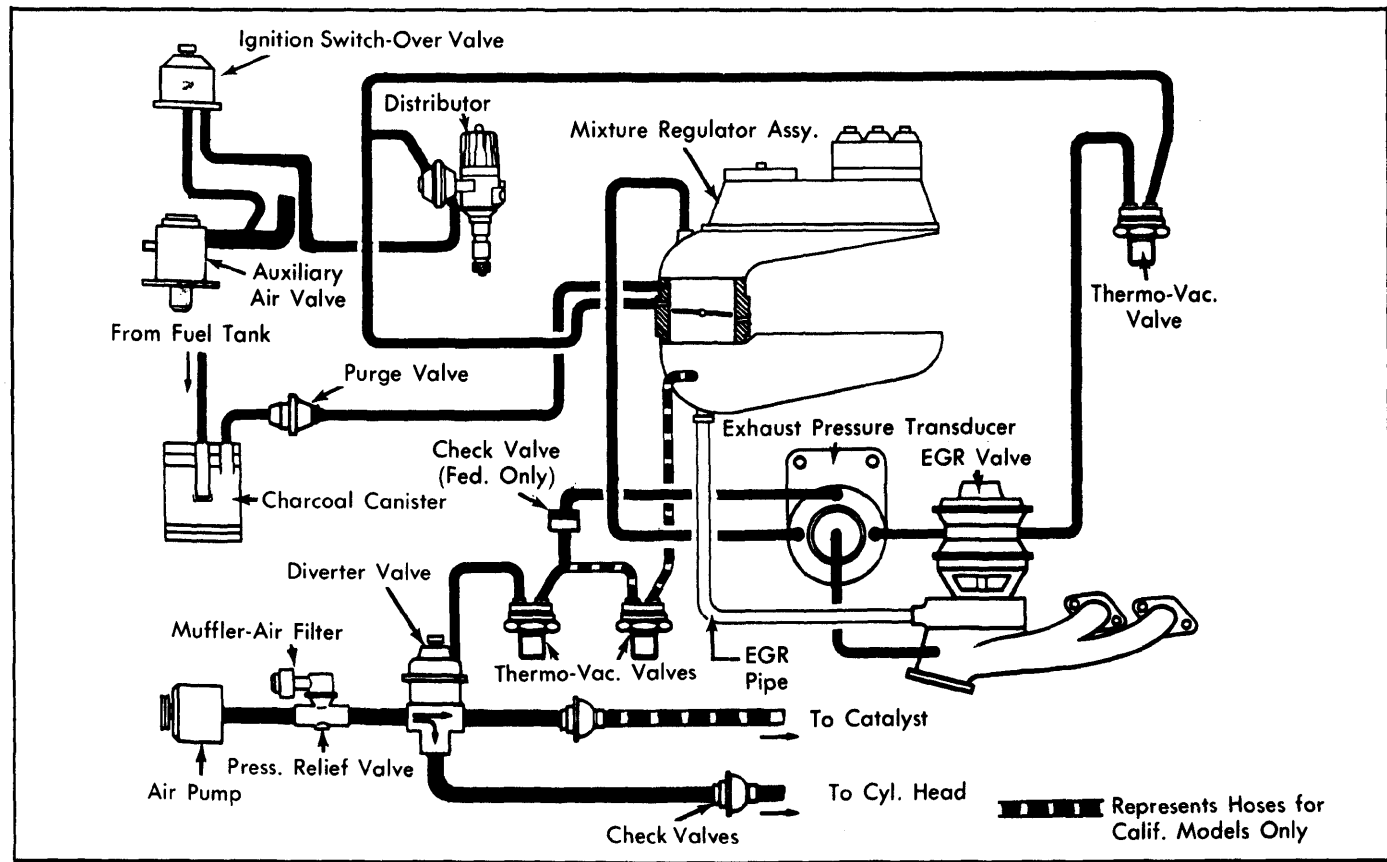


Fig. 25: 1978 280 Series Exhaust Emission System

1974-79 EXHAUST EMISSION SYSTEMS Mercedes-Benz Vacuum Diagrams (Cont.)

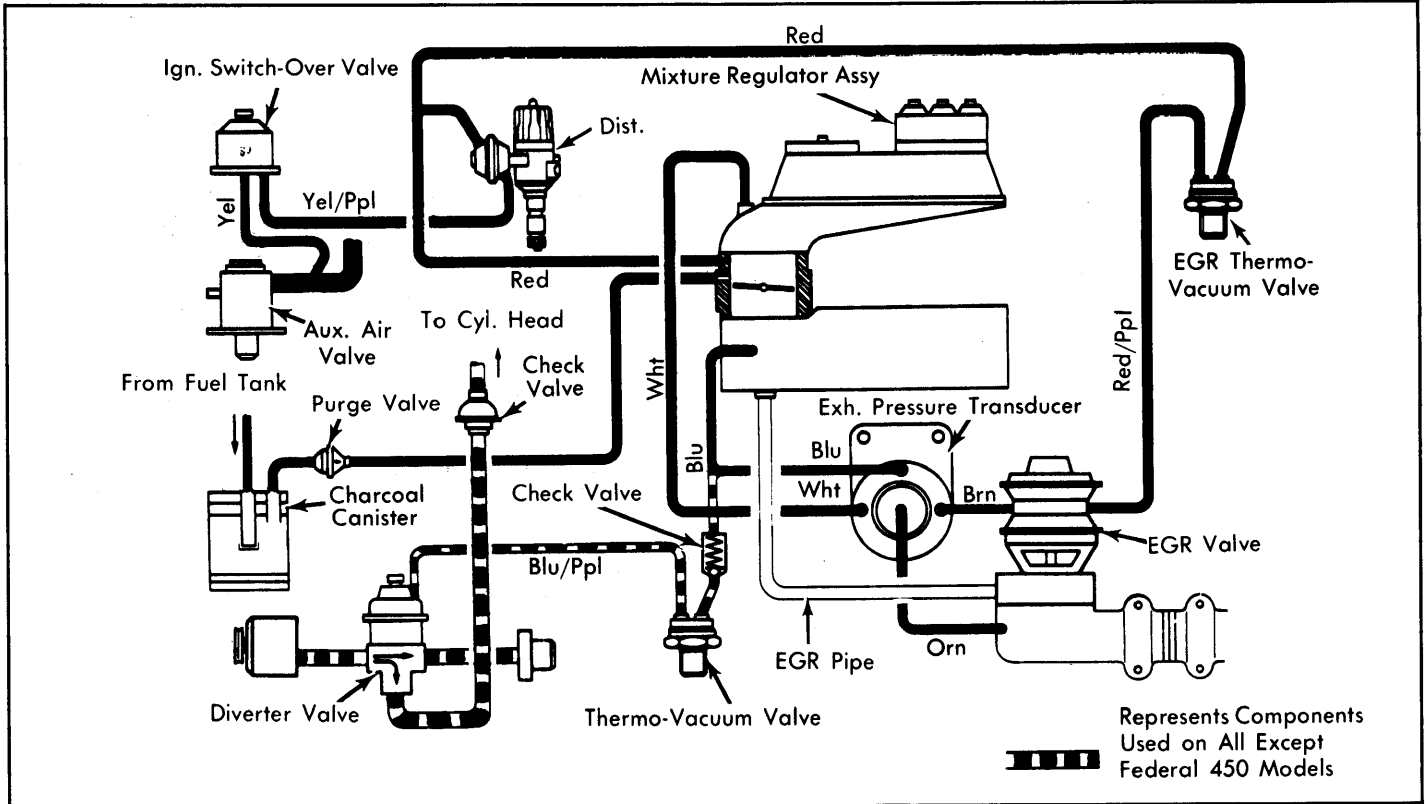


Fig. 26: 1978 450 & 6.9 (V8) Exhaust Emission System

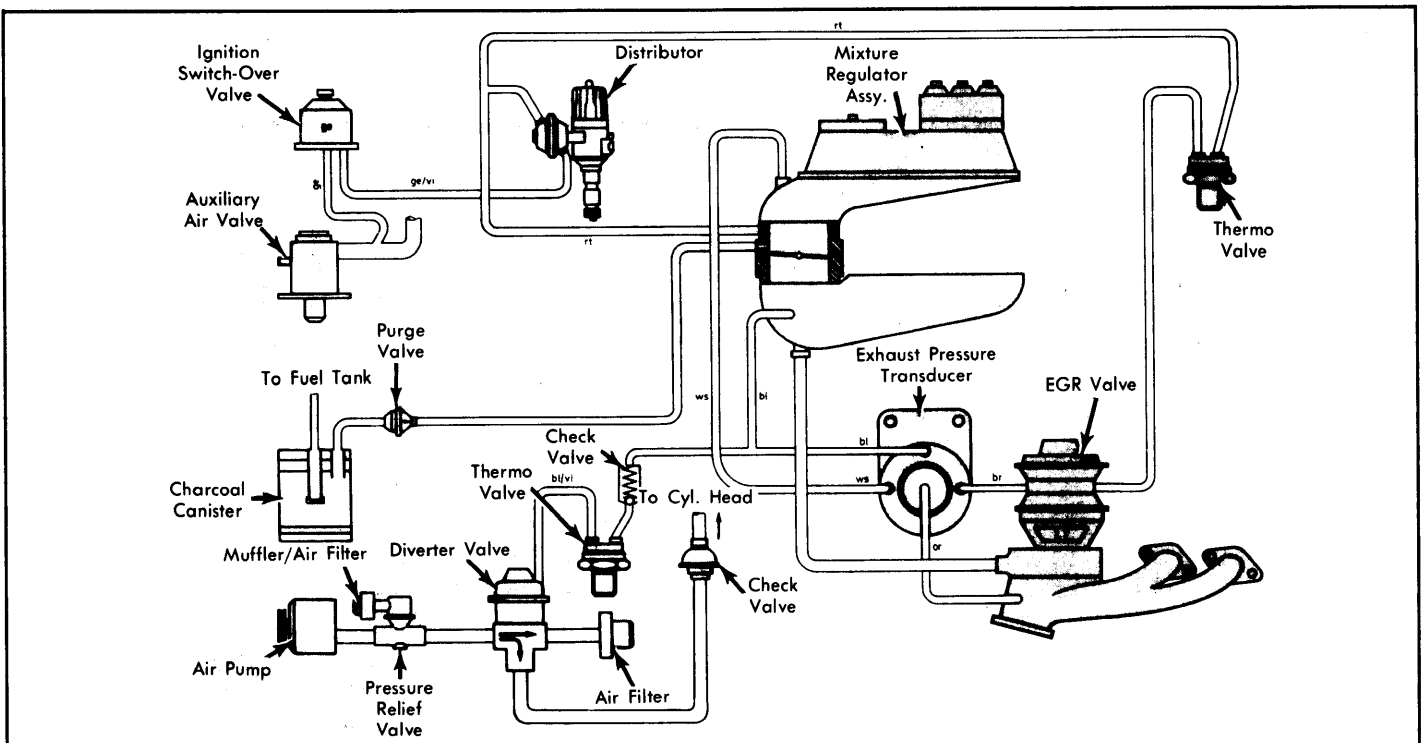


Fig. 27: 1979 280 Series Exhaust Emission System (Federal)

1974-79 EXHAUST EMISSION SYSTEMS Mercedes-Benz Vacuum Diagrams (Cont.)

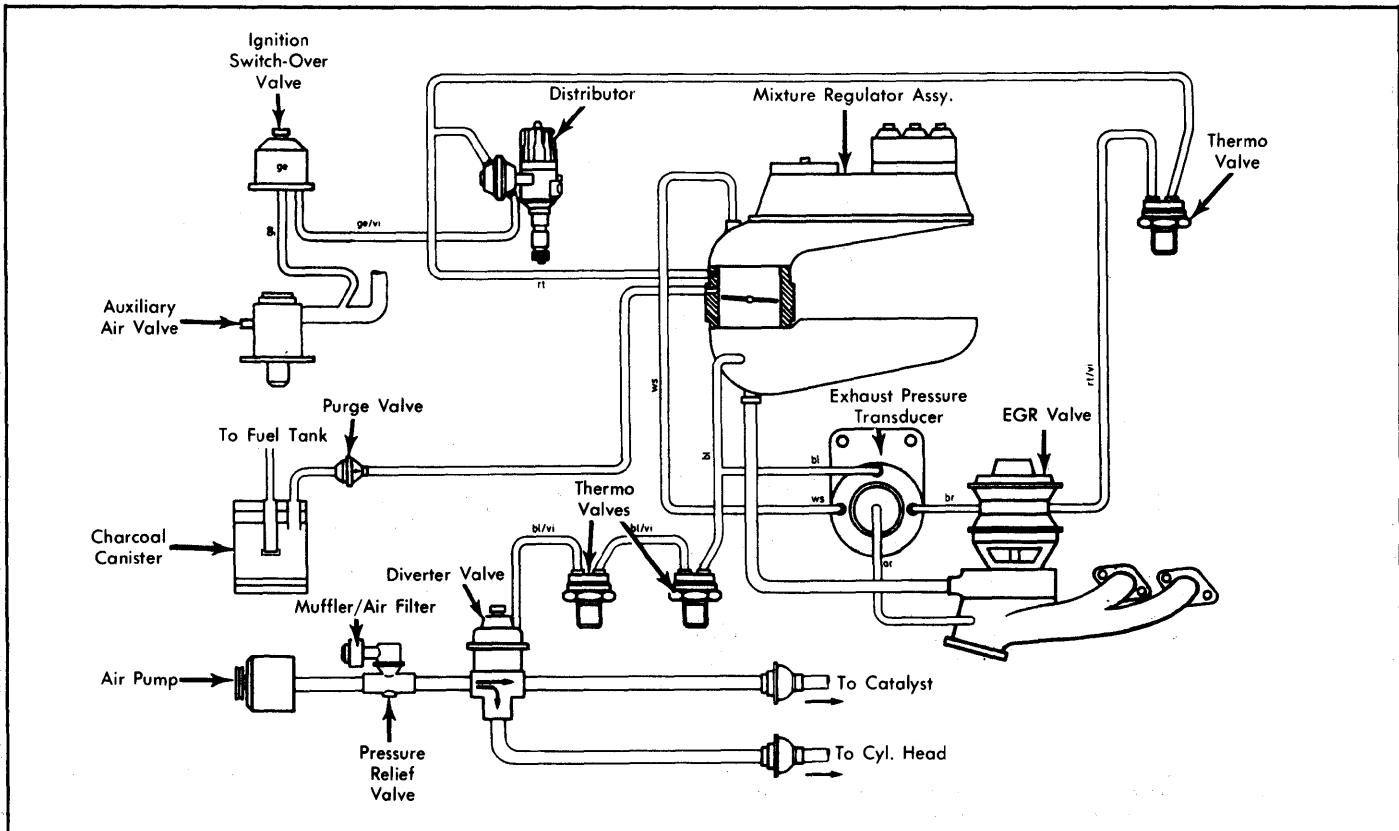


Fig. 28: 1979 280 Series Exhaust Emission System (California)

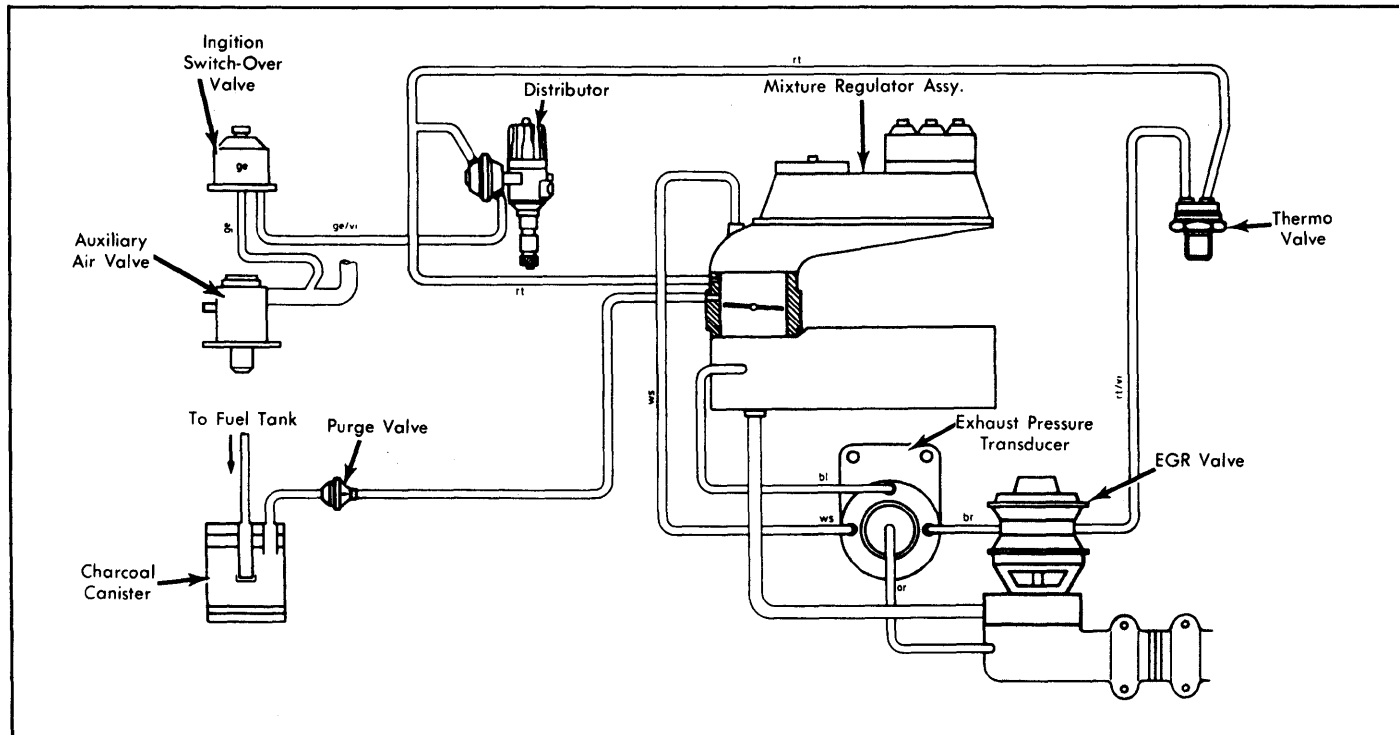


Fig. 29: 1979 4.5 Exhaust Emission System (Federal)

1974-79 EXHAUST EMISSION SYSTEMS Mercedes-Benz Vacuum Diagrams (Cont.)

3-337

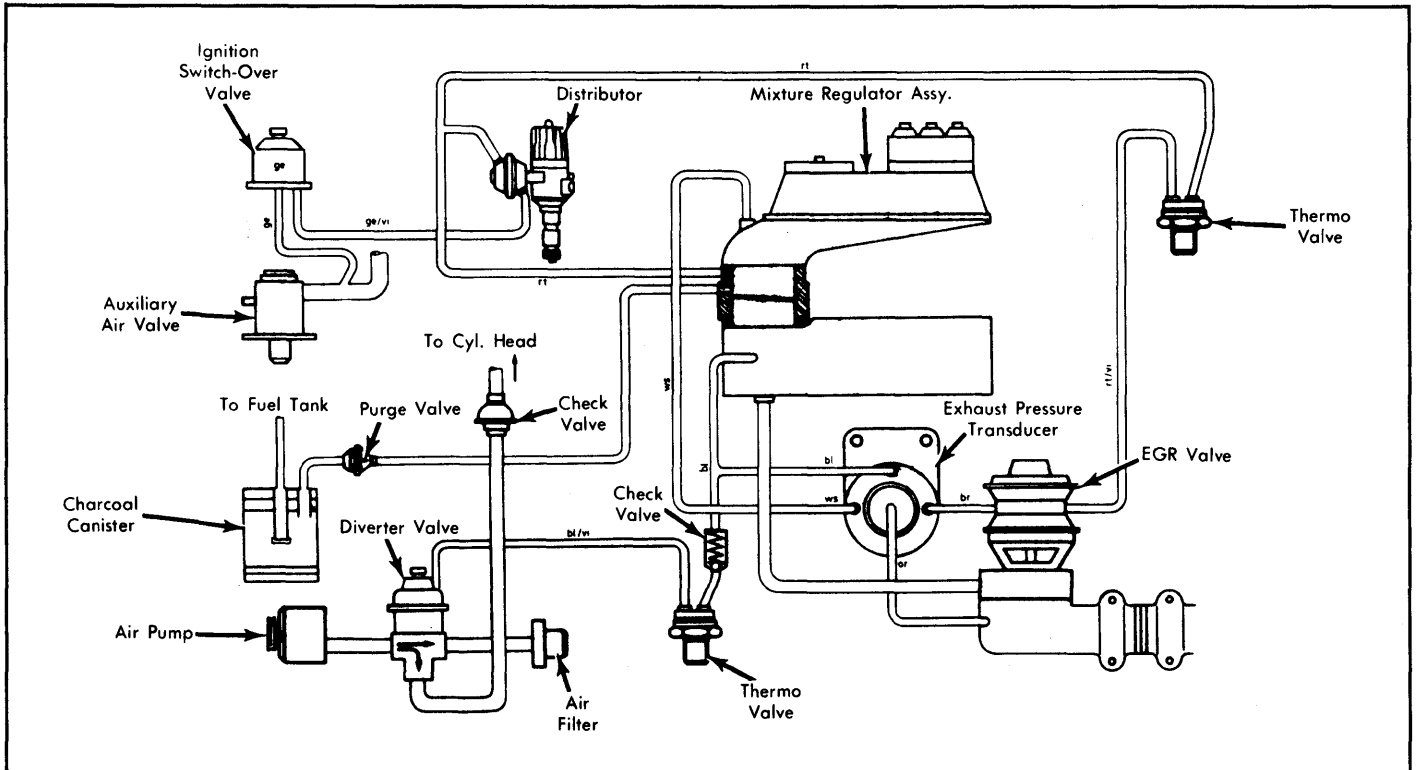


Fig. 30: 1979 450 Series & 6.9 Exhaust Emission System (California)