

1974-79 EXHAUST EMISSION SYSTEMS

Jaguar Vacuum Diagrams

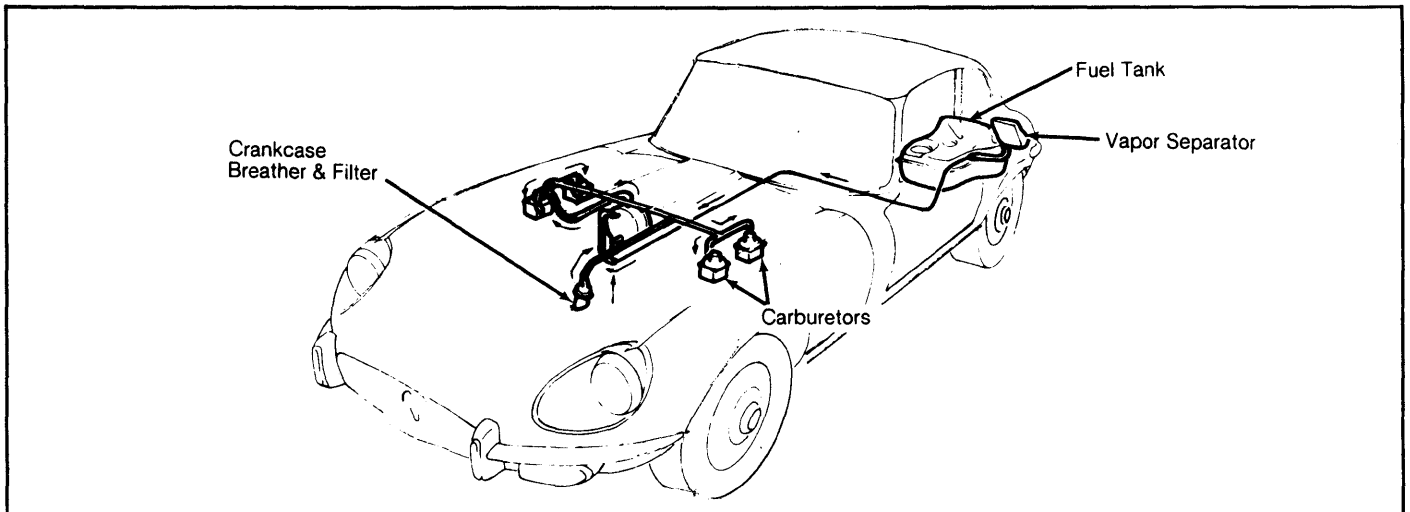


Fig. 1: 1974 XJ12 Crankcase Ventilation System

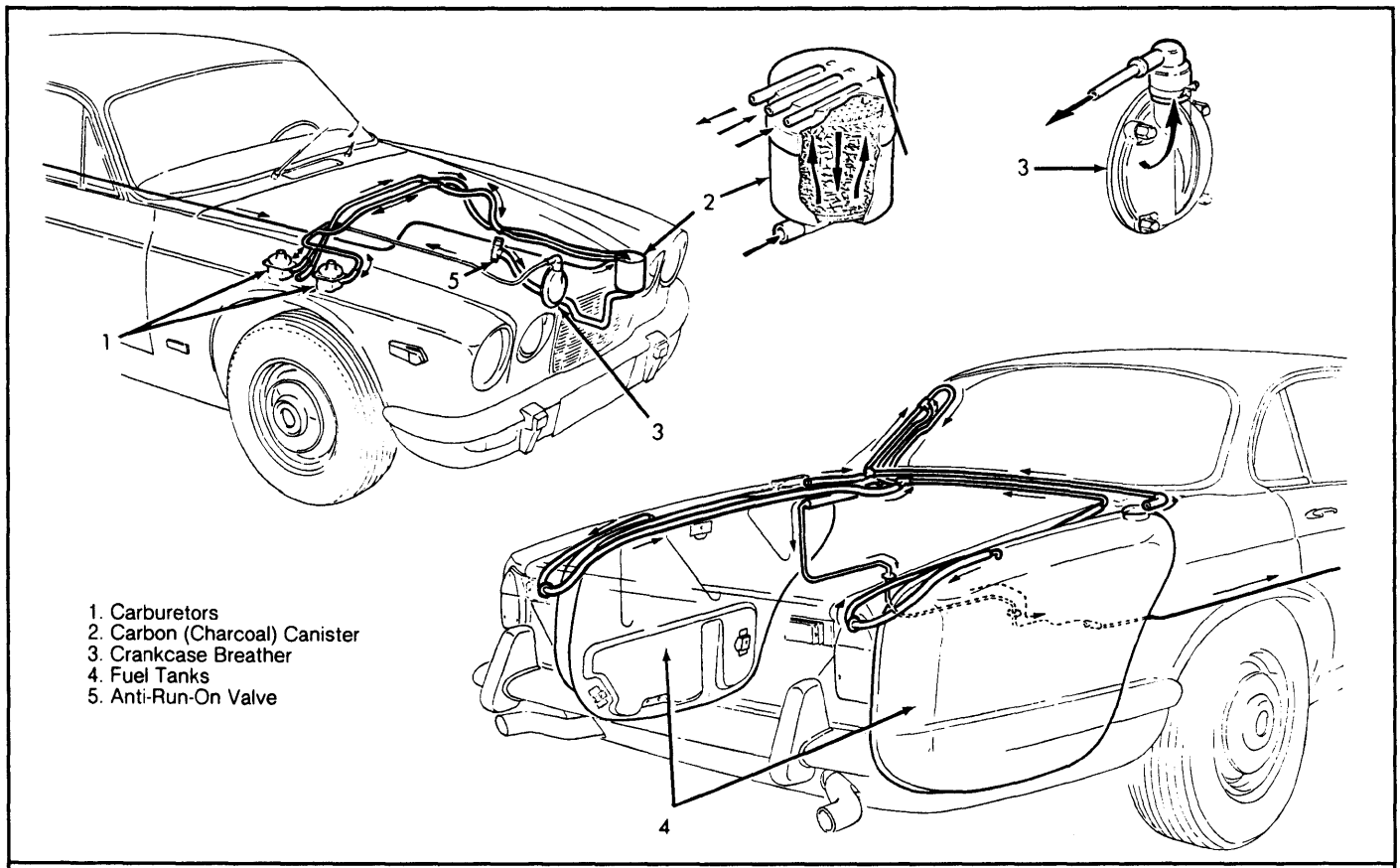


Fig. 2: 1974-76 XJ6 Fuel Evaporation System

1974-79 EXHAUST EMISSION SYSTEMS

Jaguar Vacuum Diagrams (Cont.)

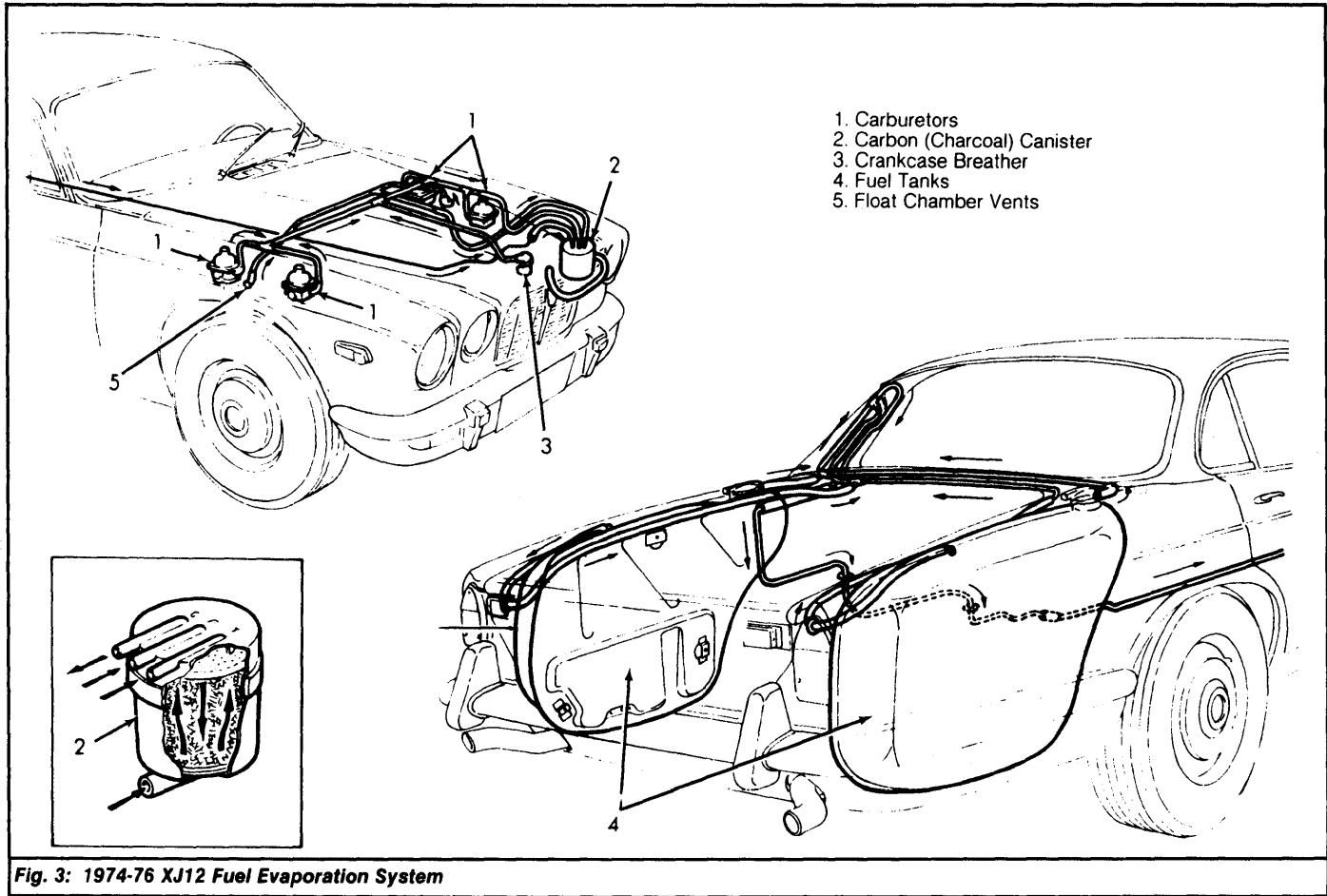


Fig. 3: 1974-76 XJ12 Fuel Evaporation System

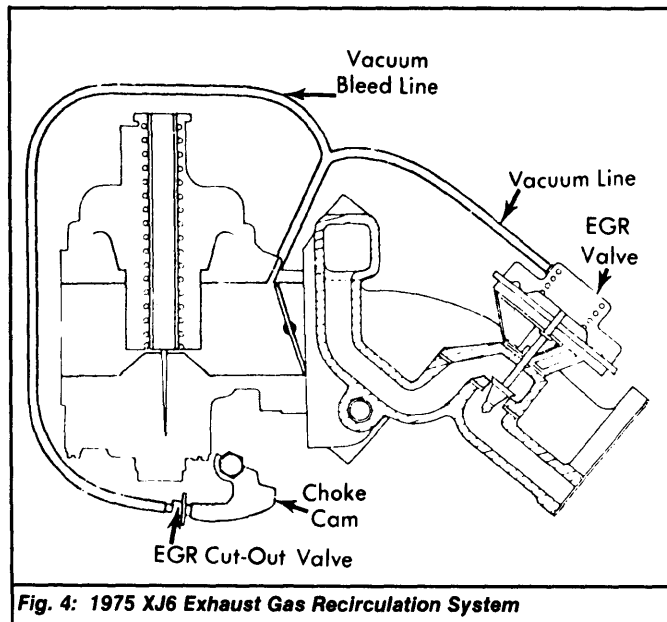


Fig. 4: 1975 XJ6 Exhaust Gas Recirculation System

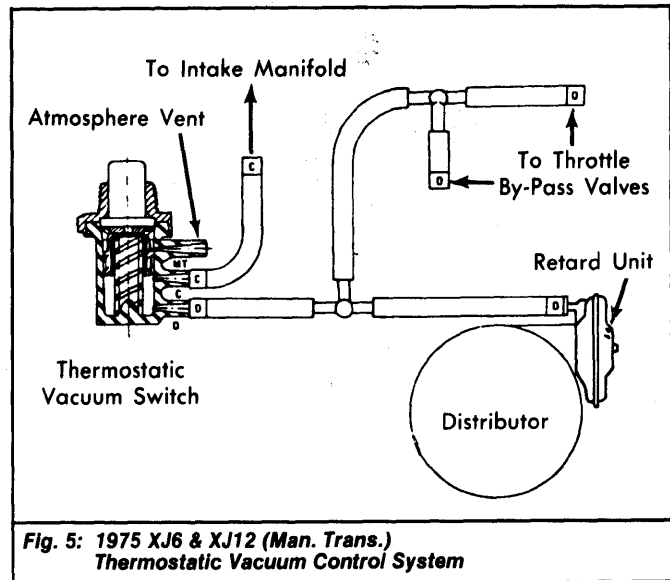
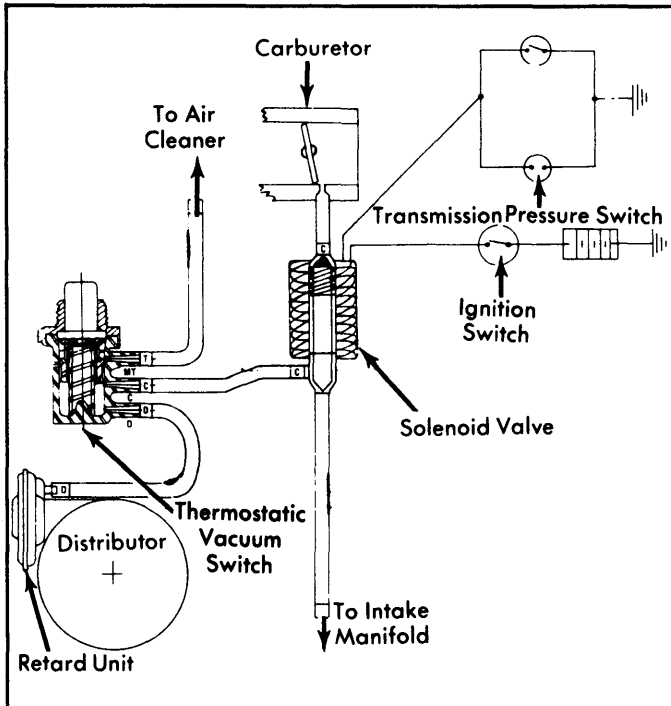


Fig. 5: 1975 XJ6 & XJ12 (Man. Trans.) Thermostatic Vacuum Control System

1974-79 EXHAUST EMISSION SYSTEMS Jaguar Vacuum Diagrams (Cont.)



**Fig. 6: 1975 XJ12 (Auto. Trans.)
Thermostatic Vacuum Control System**

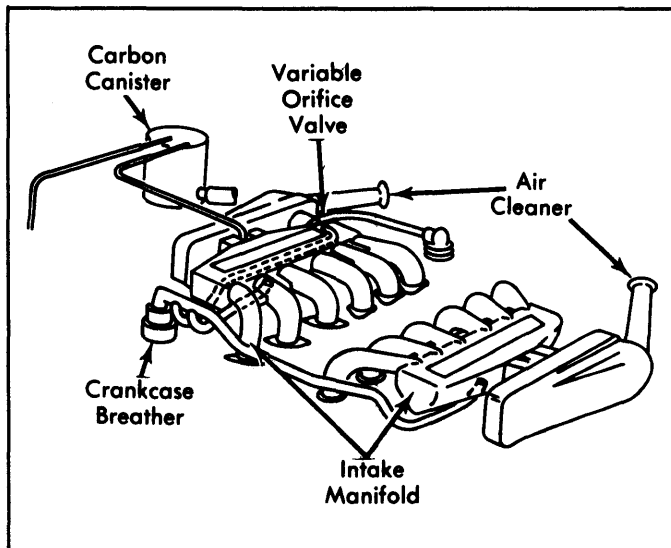


Fig. 7: 1975-78 XJ12 & XJS Crankcase Ventilation System

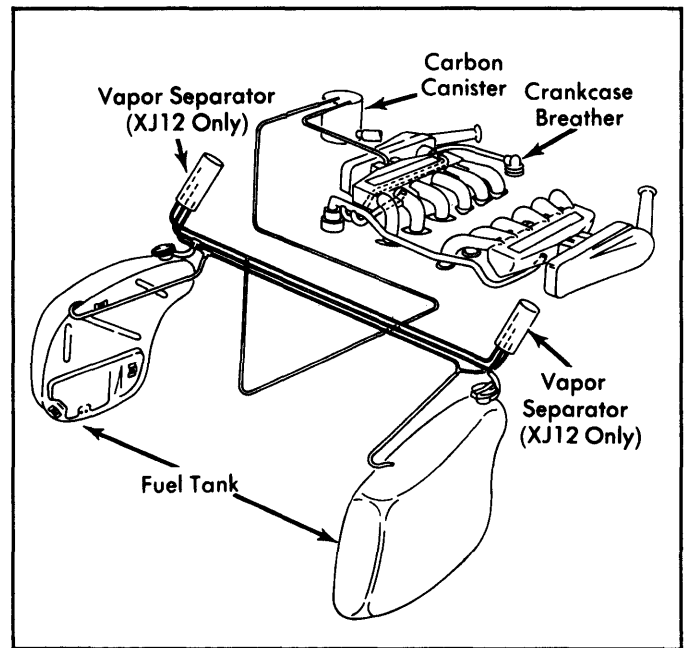


Fig. 8: 1977-78 XJ12 & XJS Fuel Evaporation System

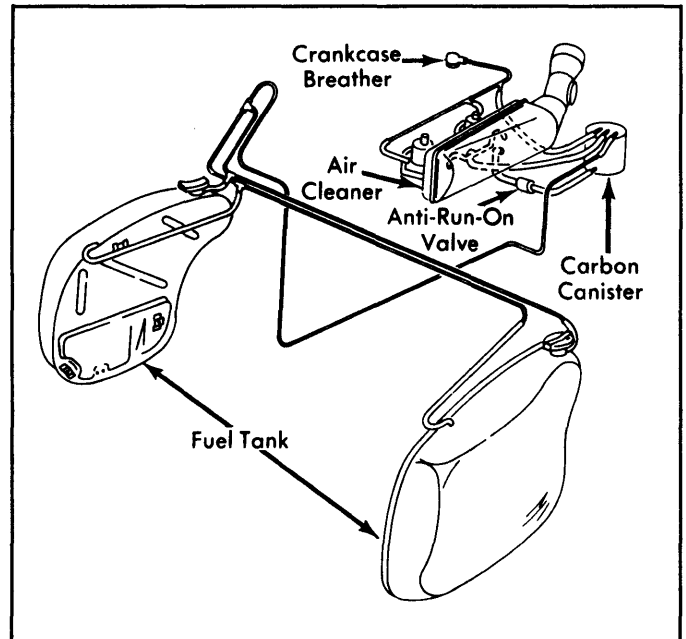
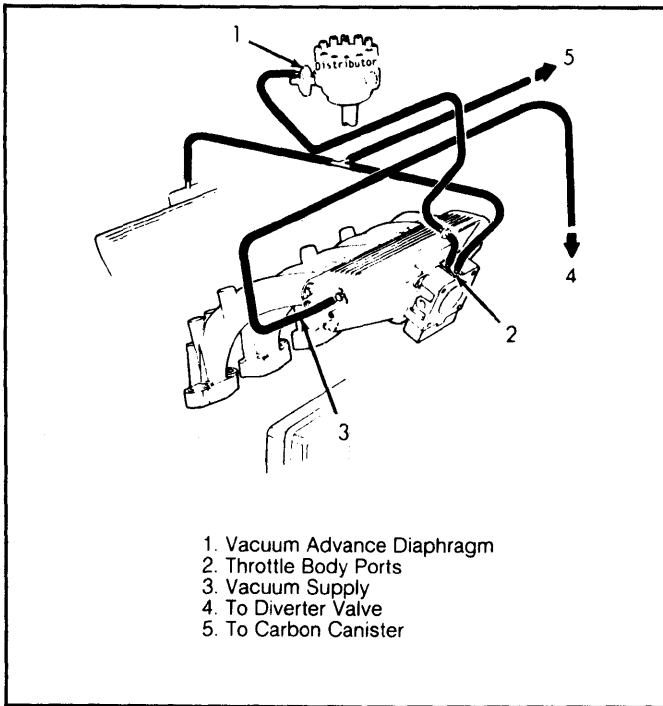


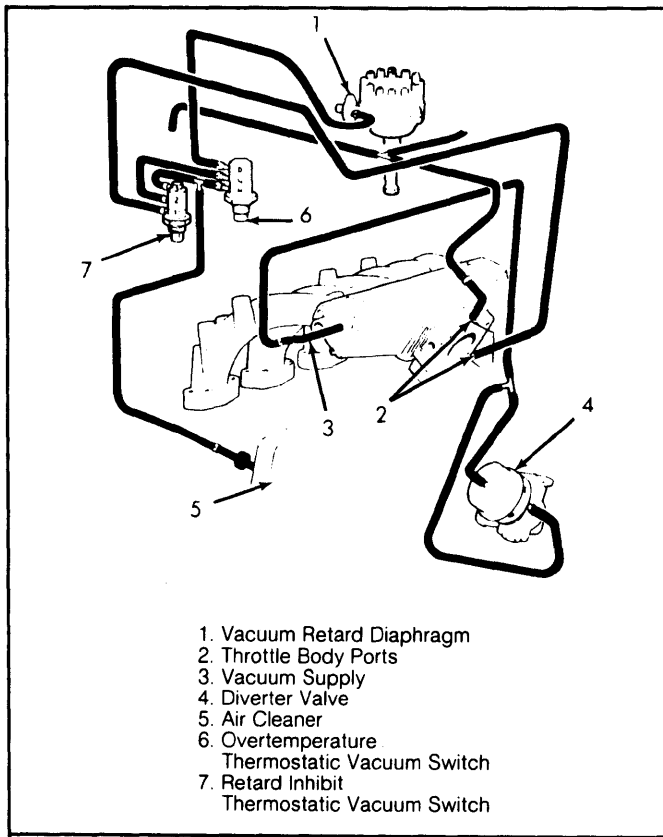
Fig. 9: 1977-78 XJ6 Fuel Evaporation System

1974-79 EXHAUST EMISSION SYSTEMS Jaguar Vacuum Diagrams (Cont.)



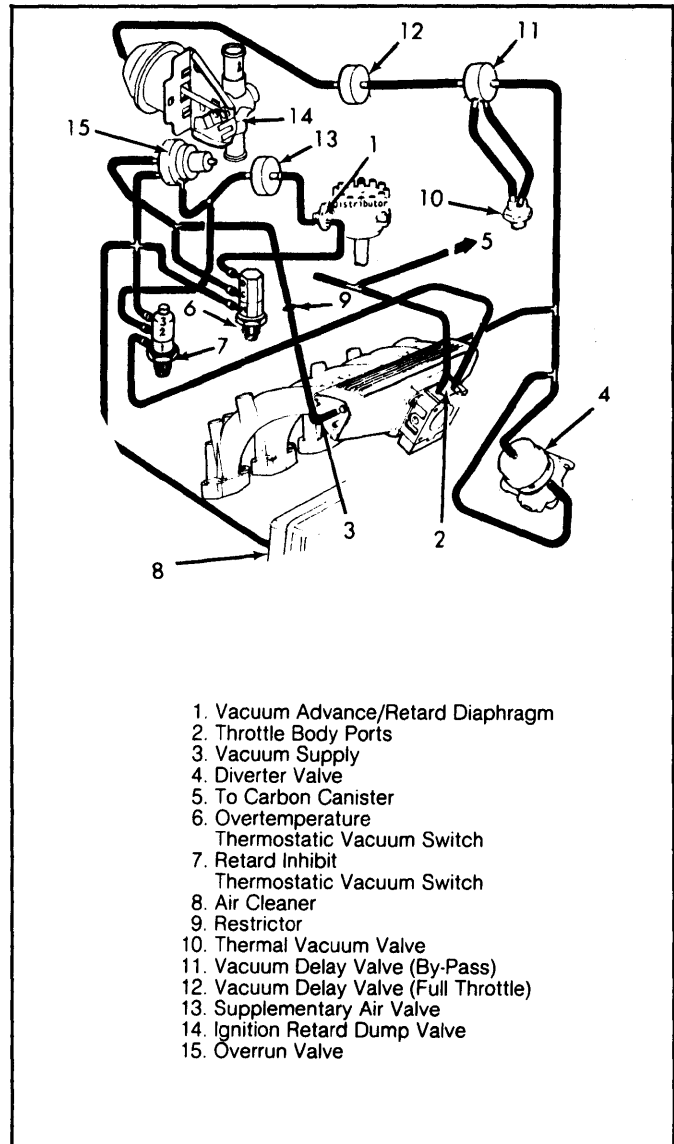
- 1. Vacuum Advance Diaphragm
- 2. Throttle Body Ports
- 3. Vacuum Supply
- 4. To Diverter Valve
- 5. To Carbon Canister

Fig. 10: 1977 XJS Exhaust Emission System (Federal)



- 1. Vacuum Retard Diaphragm
- 2. Throttle Body Ports
- 3. Vacuum Supply
- 4. Diverter Valve
- 5. Air Cleaner
- 6. Overtemperature Thermostatic Vacuum Switch
- 7. Retard Inhibit Thermostatic Vacuum Switch

Fig. 11: 1977 XJS Exhaust Emission System (California)



- 1. Vacuum Advance/Retard Diaphragm
- 2. Throttle Body Ports
- 3. Vacuum Supply
- 4. Diverter Valve
- 5. To Carbon Canister
- 6. Overtemperature Thermostatic Vacuum Switch
- 7. Retard Inhibit Thermostatic Vacuum Switch
- 8. Air Cleaner
- 9. Restrictor
- 10. Thermal Vacuum Valve
- 11. Vacuum Delay Valve (By-Pass)
- 12. Vacuum Delay Valve (Full Throttle)
- 13. Supplementary Air Valve
- 14. Ignition Retard Dump Valve
- 15. Overrun Valve

Fig. 12: 1978 XJS Exhaust Emission System (California)