

1974-79 EXHAUST EMISSION SYSTEMS

Ford Motor Co. Fuel Evaporation

3-177

1979 Fiesta

DESCRIPTION

System prevents fuel vapors from entering atmosphere. System consists of a sealed filler cap, modified fuel tank, vapor separators, carbon canister, a solenoid operated dual venting float bowl, and connecting hoses and lines.

OPERATION

When engine is stopped, fuel vapors formed in the fuel tank and float bowl are vented to the carbon canister. From the fuel tank, vapors pass through a vapor separator and vent lines to the carbon canister. From the float bowl, vapors are vented directly to the carbon canister.

The carbon canister is located in the engine compartment and is filled with activated charcoal which absorbs fuel vapors. When engine is started, the solenoid valve opens, allowing the float bowl and carbon canister to be vented internally to the air cleaner where vapors are drawn into combustion system to be burned. This action renews the storage capacity of the carbon canister.

MAINTENANCE

Every 30,000 miles or 30 months, check all hoses and components for deterioration or leakage, repair or replace as required.

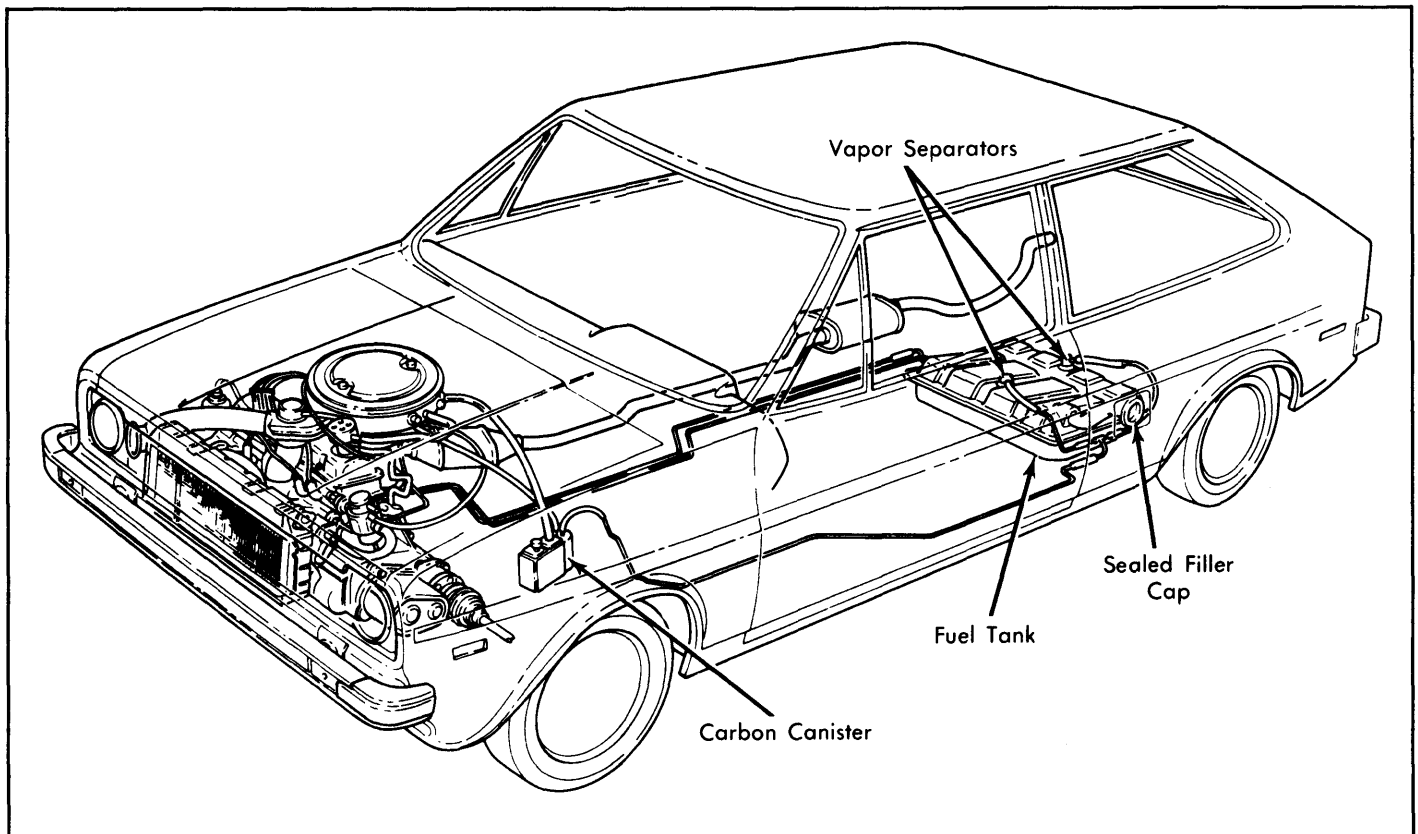


Fig. 1: Fiesta Fuel Evaporation System