

1974-79 EXHAUST EMISSION SYSTEMS

Fiat Crankcase Ventilation

All Models

DESCRIPTION

The closed crankcase ventilation system is designed to prevent any emission of blow-by gases into the atmosphere. The system consists of a control valve with calibrated orifice, a flame trap, a liquid/vapor separator, and various lines to connect the components.

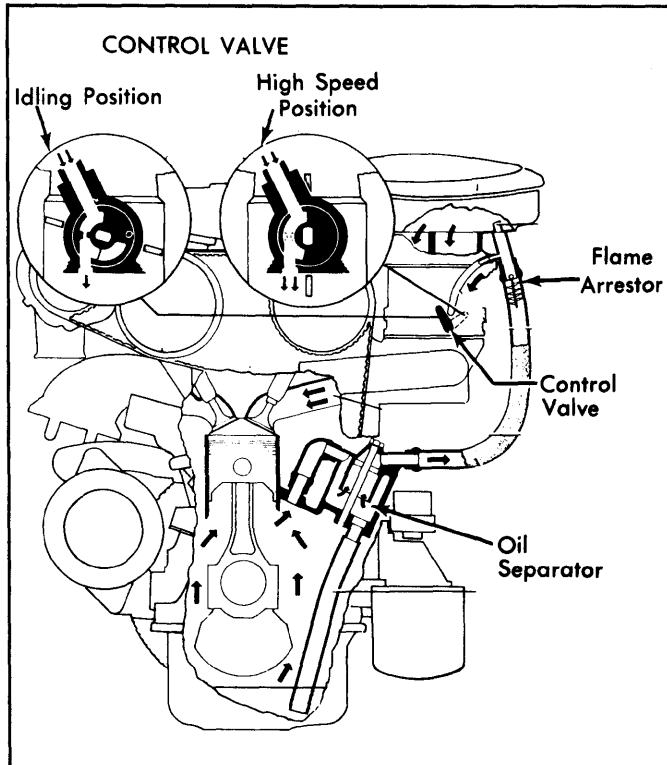


Fig. 1: 124 Crankcase Ventilation System

OPERATION

When engine is in the closed throttle position the blow-by gases are drawn into the intake manifold through the calibrated orifice of control valve in the carburetor. As the throttle is opened, part of the blow-by gases are drawn into the intake manifold through the open duct of the control valve. The rest of the blow-by gases flow directly to the clean side of the air cleaner.

MAINTENANCE

Every 12,500 miles, inspect and clean crankcase ventilation system.

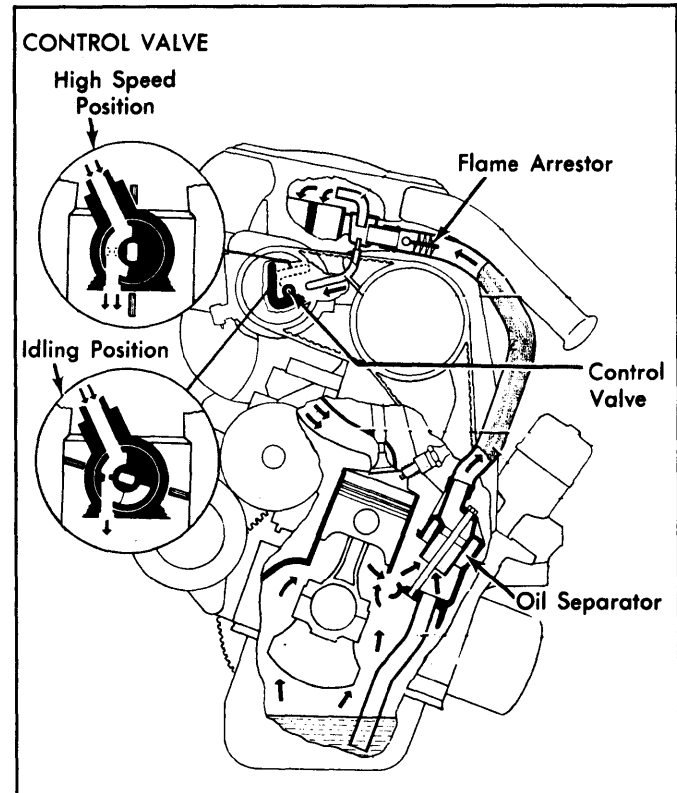


Fig. 2: X1/9 & 128 Crankcase Ventilation System