

1974-79 EXHAUST EMISSION SYSTEMS

Datsun Vacuum Diagrams

3-121

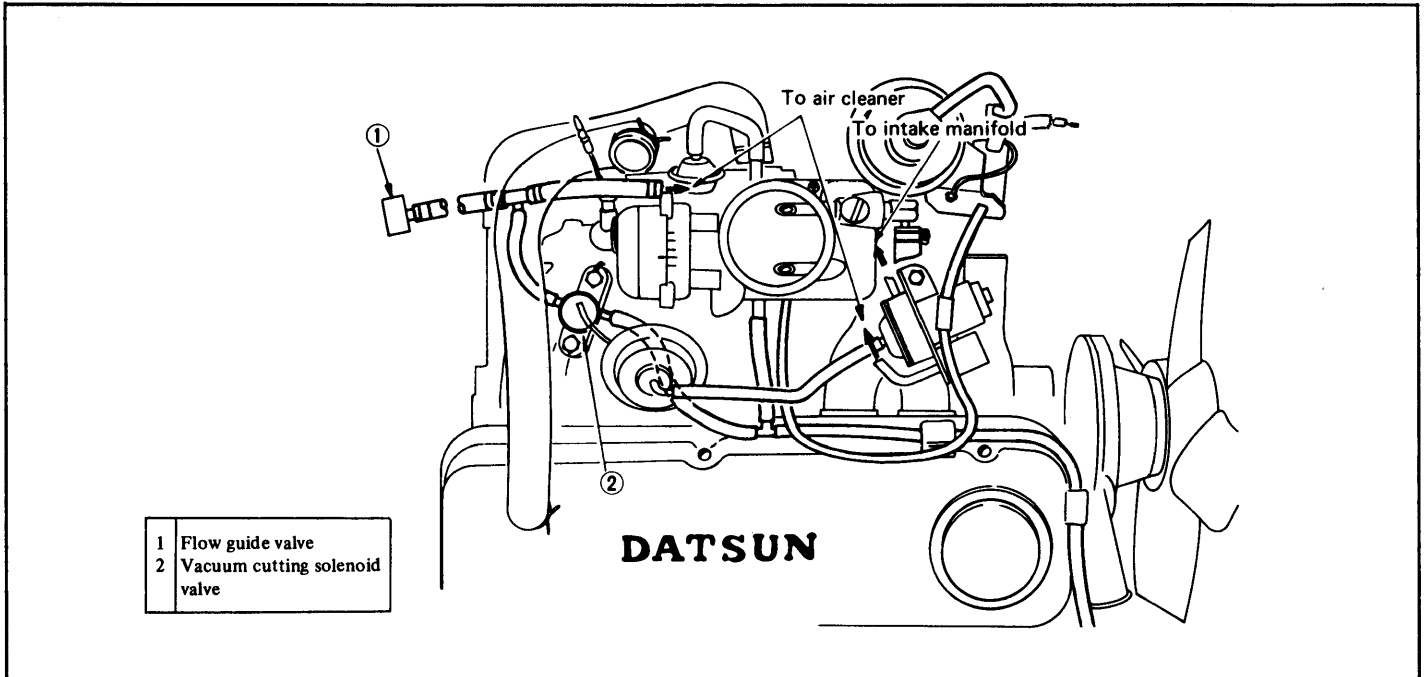


Fig. 1: 1974 B210 Exhaust Emission System

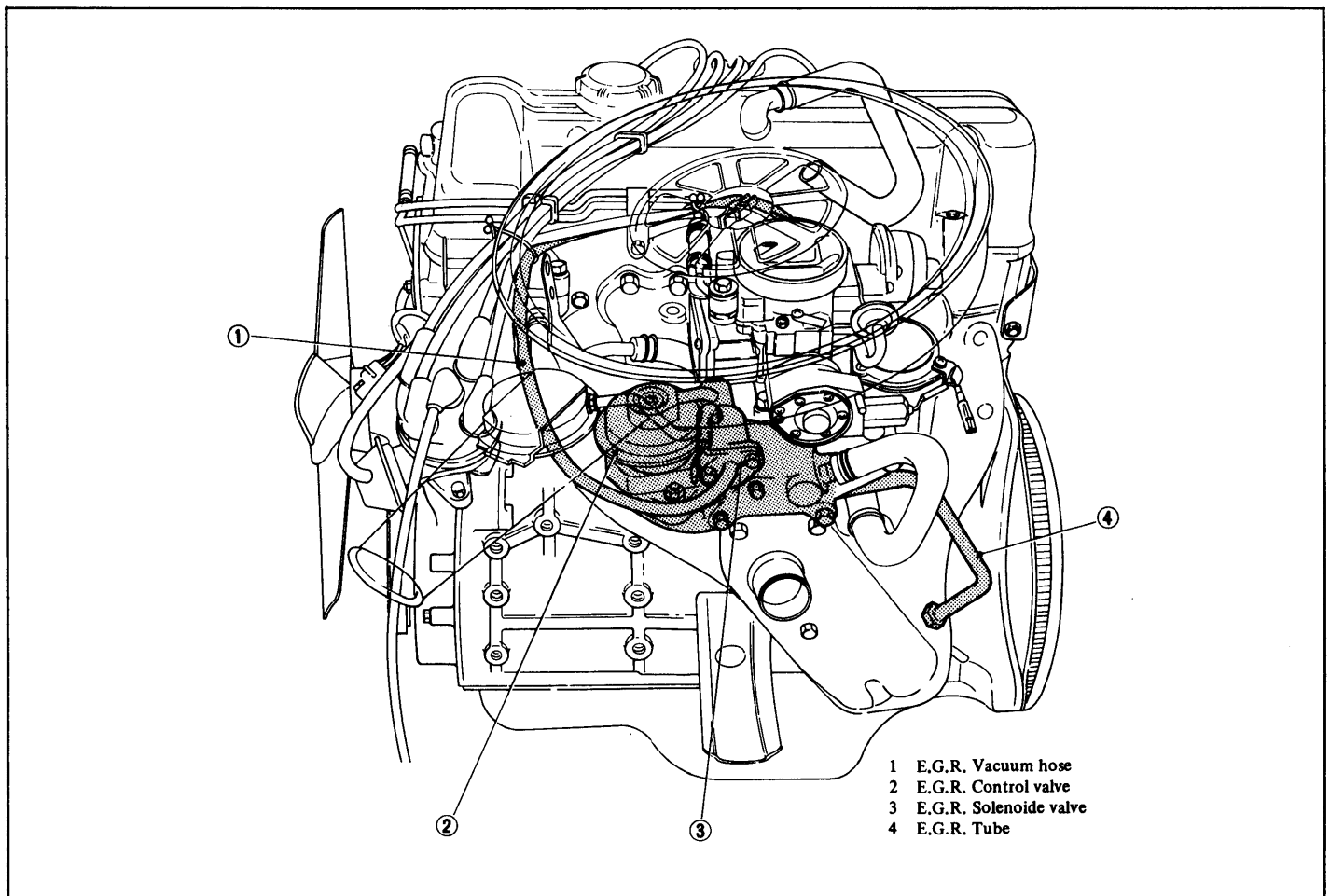


Fig. 2: 1974 Pickup & 710 Exhaust Emission System

1974-79 EXHAUST EMISSION SYSTEMS

Datsun Vacuum Diagrams (Cont.)

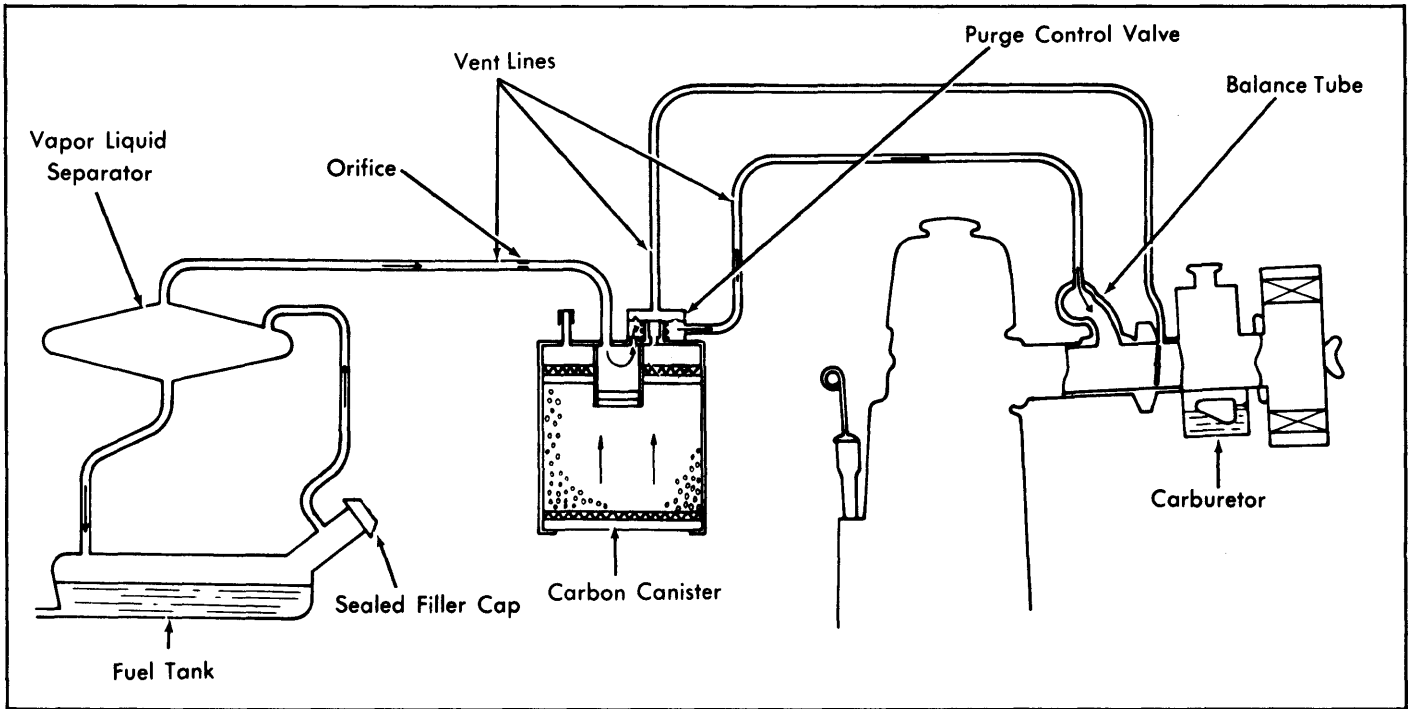


Fig. 3: 1974 260Z Fuel Evaporation System

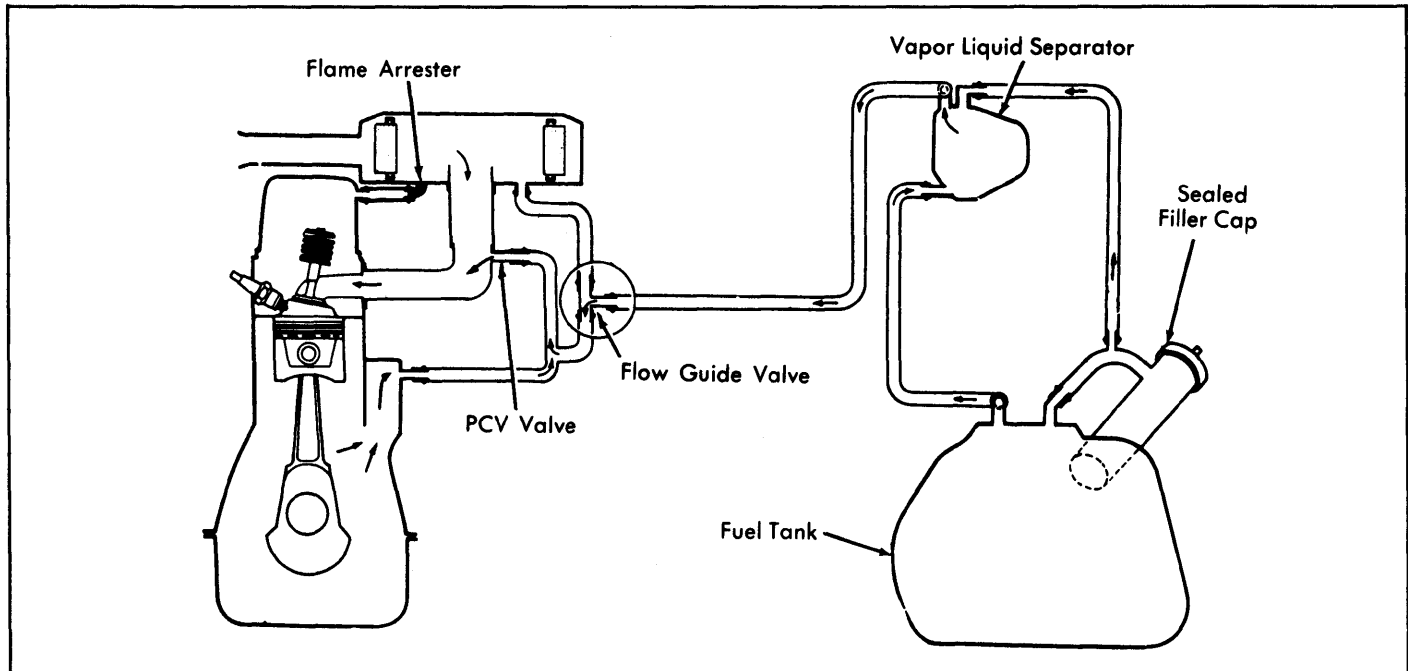


Fig. 4: 1974 Fuel Evaporation System (All Models Except 260Z)

1974-79 EXHAUST EMISSION SYSTEMS

Datsun Vacuum Diagrams (Cont.)

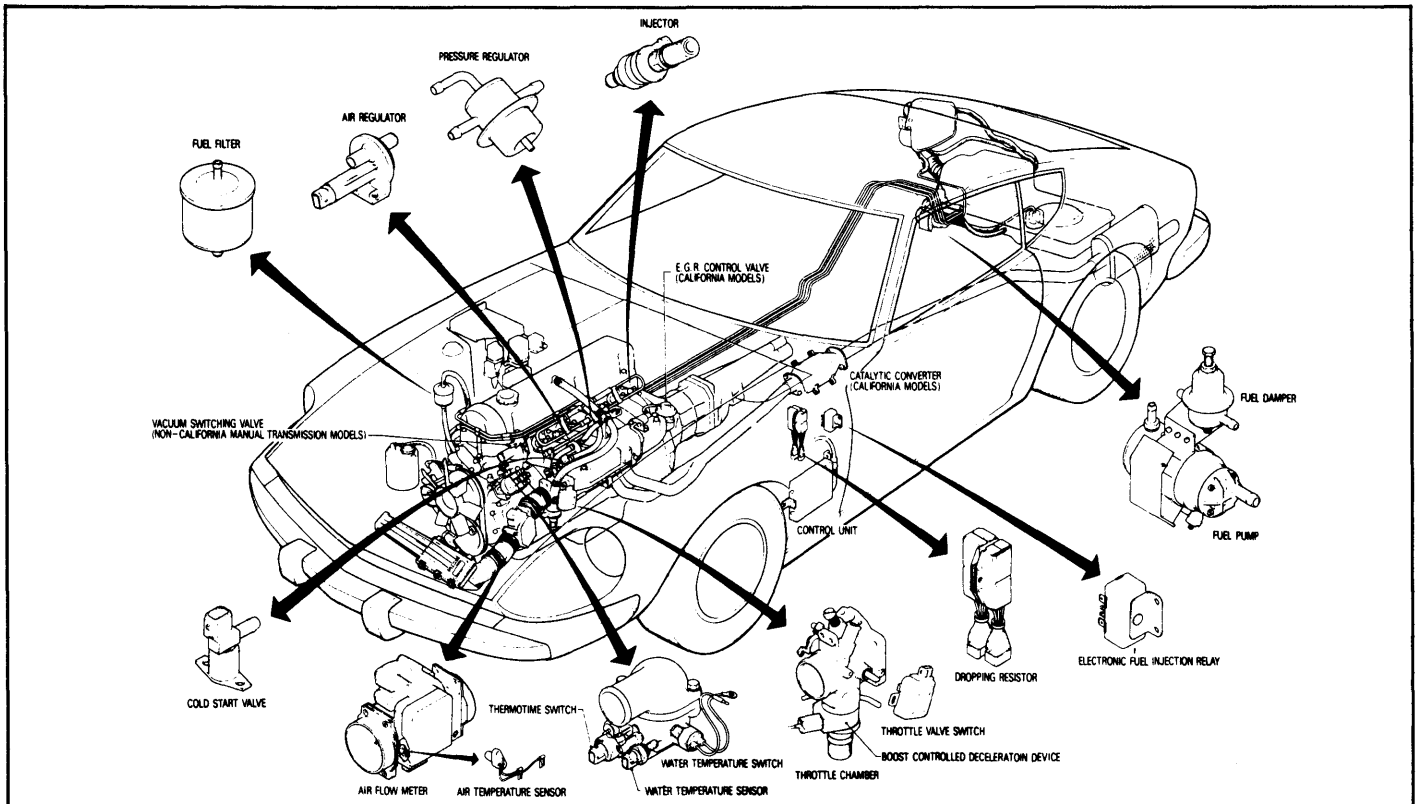


Fig. 5: 1975 280Z Exhaust Emission System

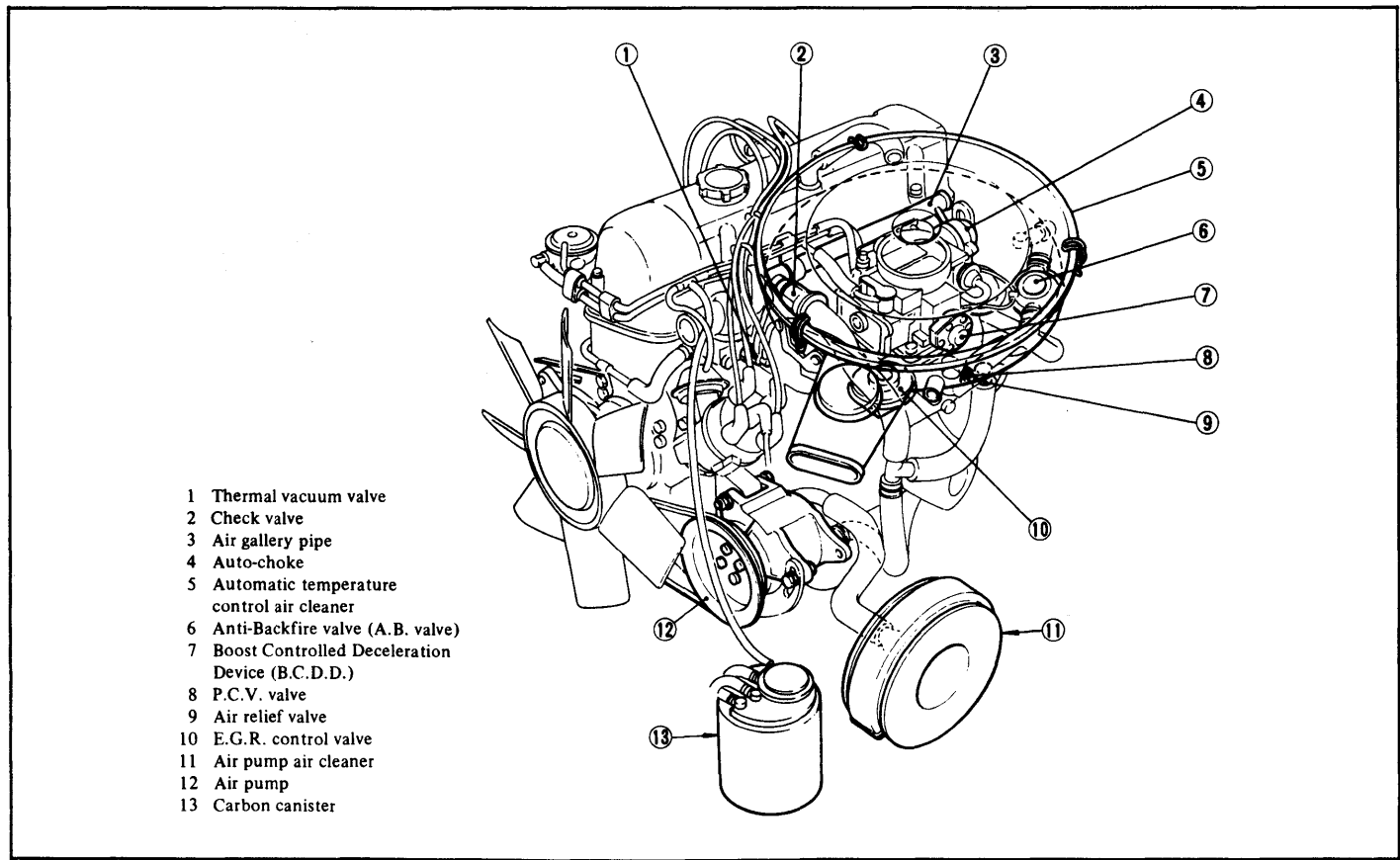


Fig. 6: 1975 Pickup Exhaust Emission System

1974-79 EXHAUST EMISSION SYSTEMS

Datsun Vacuum Diagrams (Cont.)

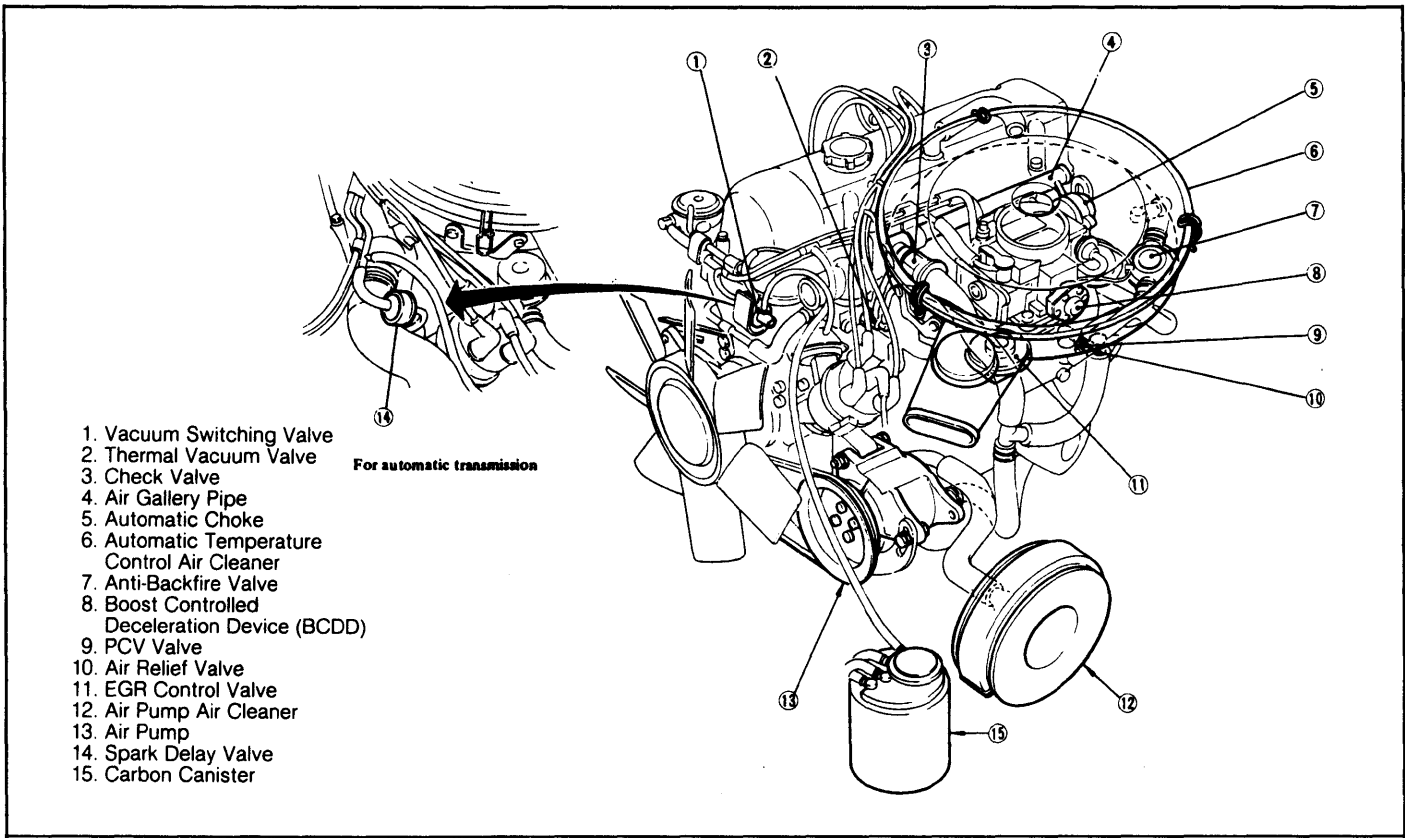


Fig. 7: 1975-76 610 Exhaust Emission System (Except California)

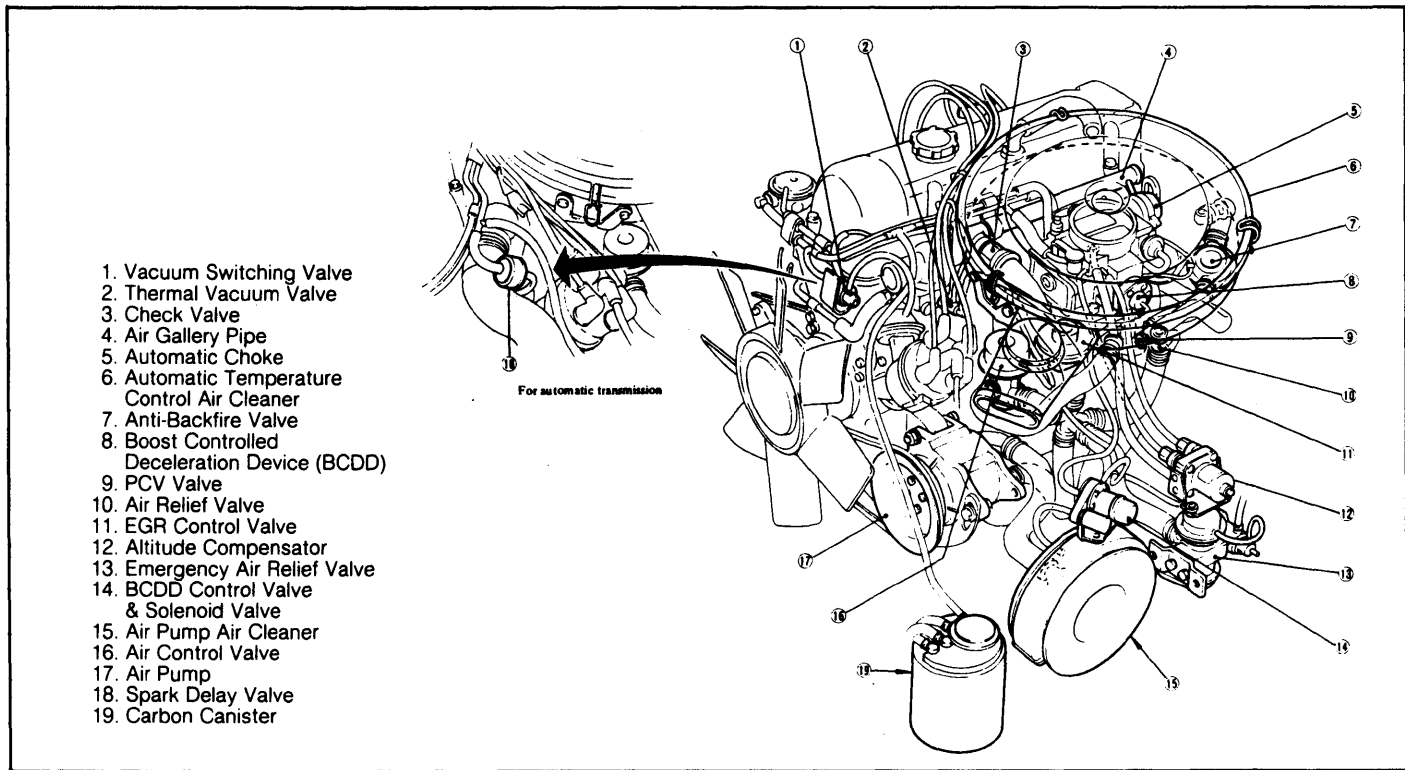


Fig. 8: 1975-76 610 Exhaust Emission System (California)

1974-79 EXHAUST EMISSION SYSTEMS

Datsun Vacuum Diagrams (Cont.)

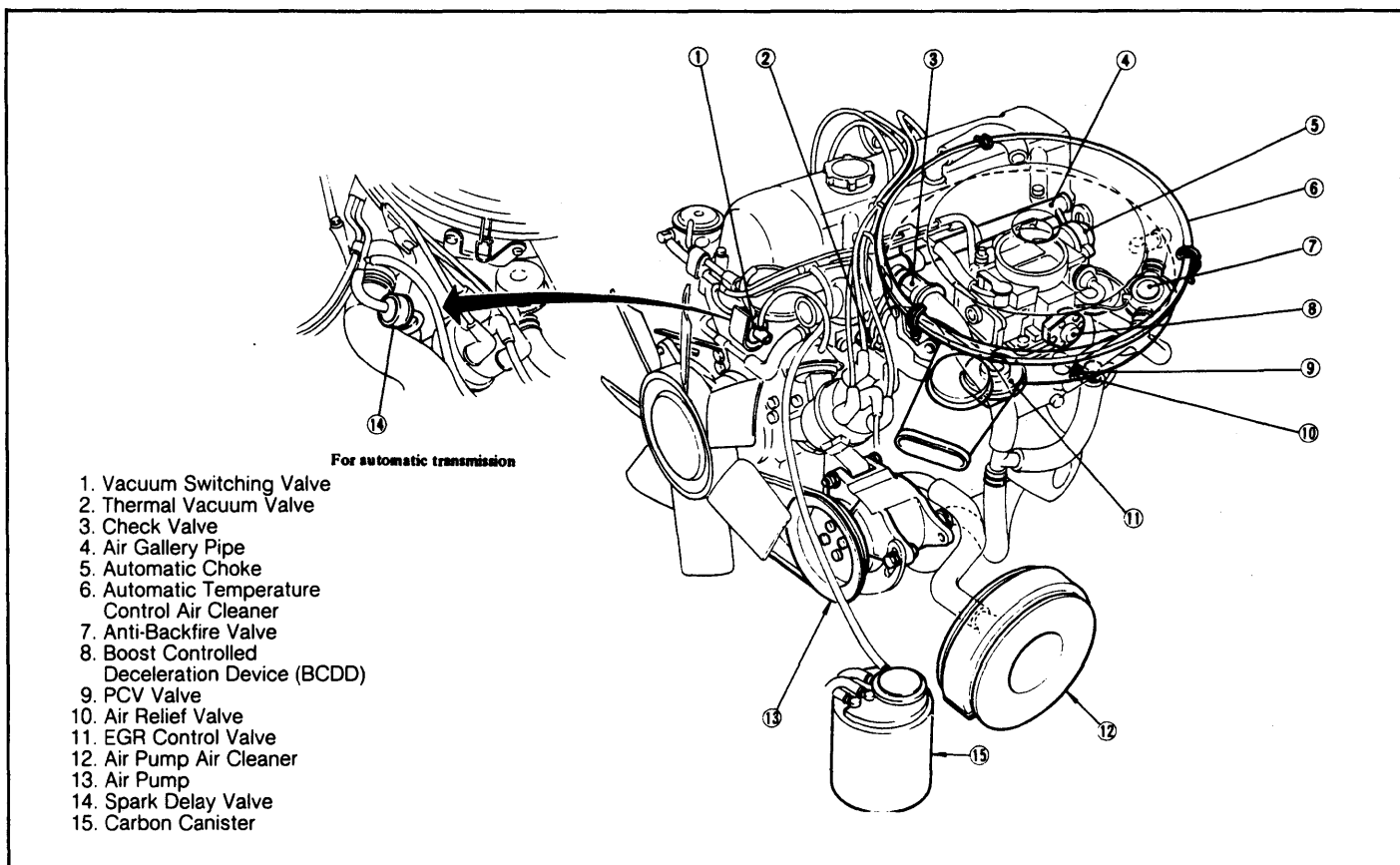


Fig. 9: 1975-76 710 Exhaust Emission System (Except California)

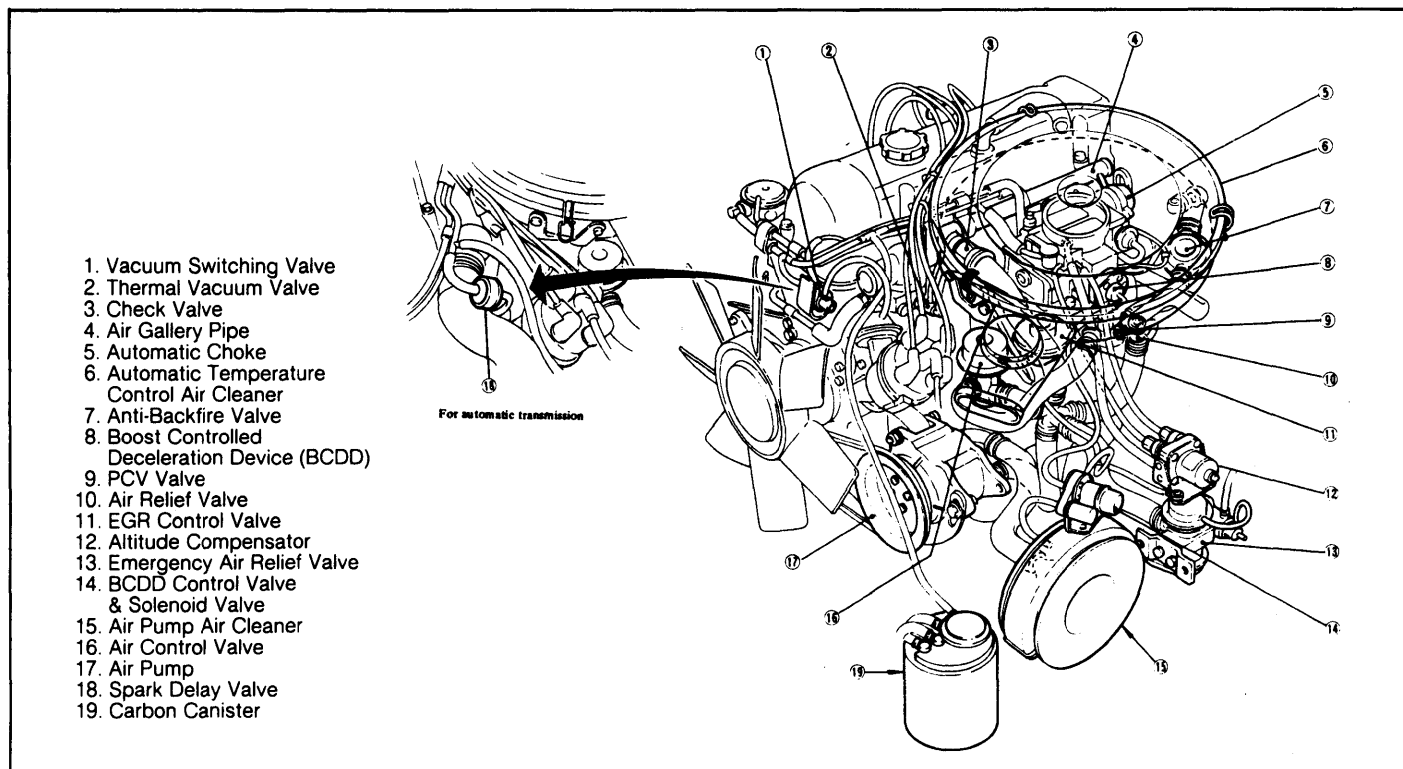


Fig. 10: 1975-76 710 Exhaust Emission System (California)

1974-79 EXHAUST EMISSION SYSTEMS

Datsun Vacuum Diagrams (Cont.)

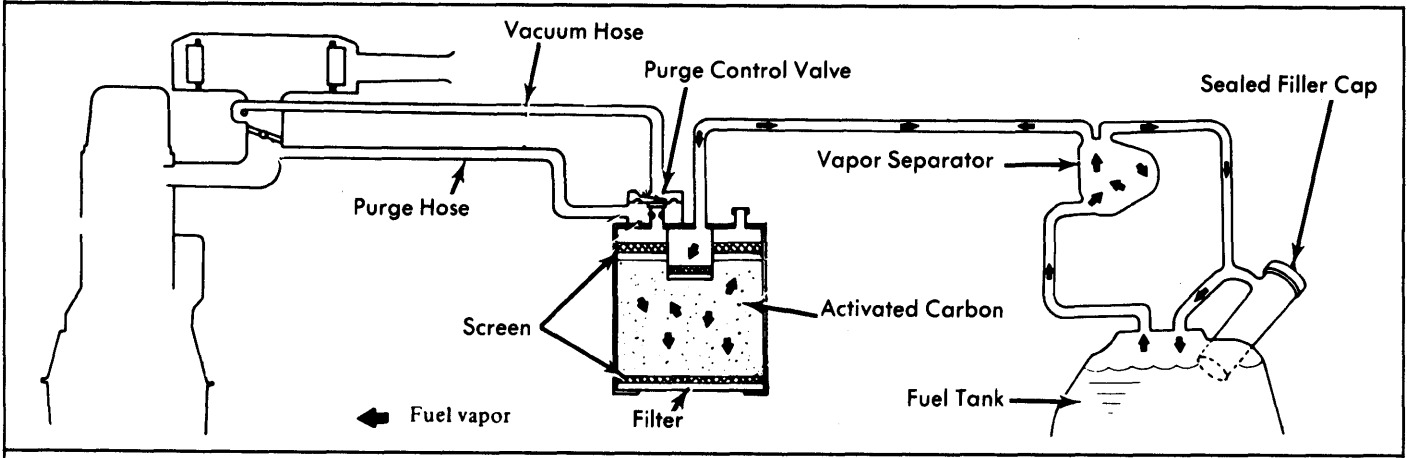


Fig. 11: 1975-76 Fuel Evaporation System (All Models Except 280Z)

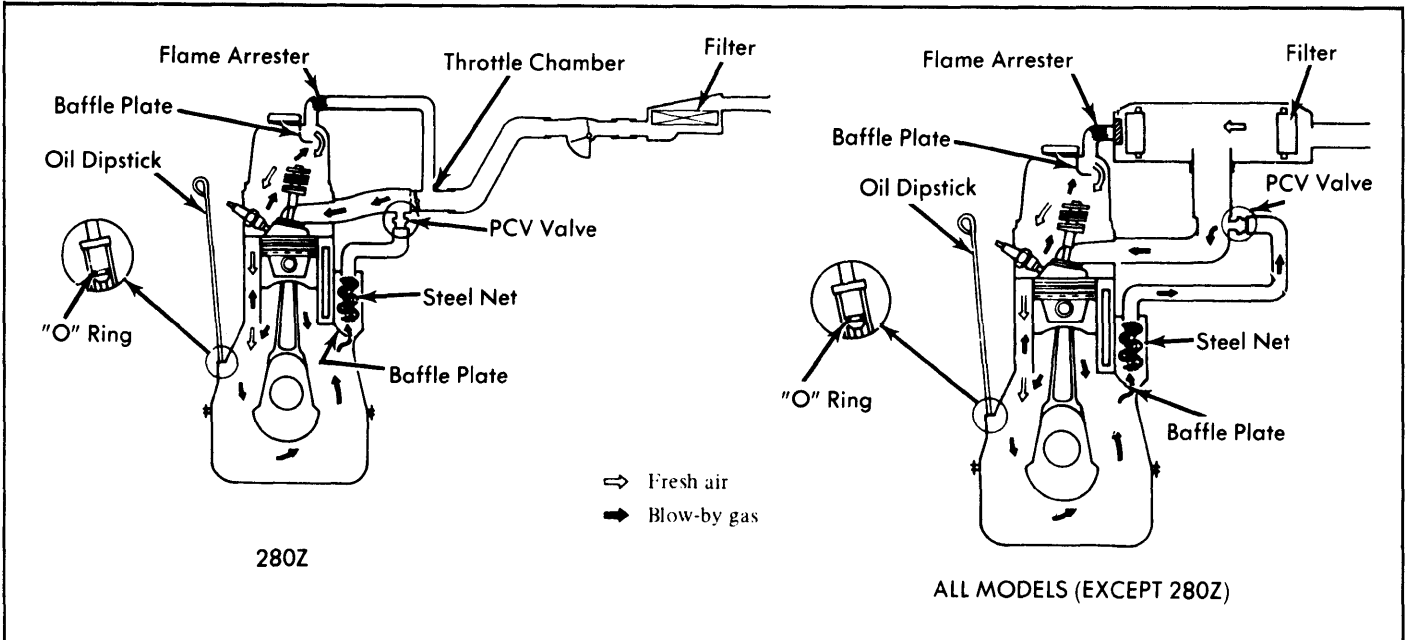


Fig. 12: 1975-76 Positive Crankcase Systems

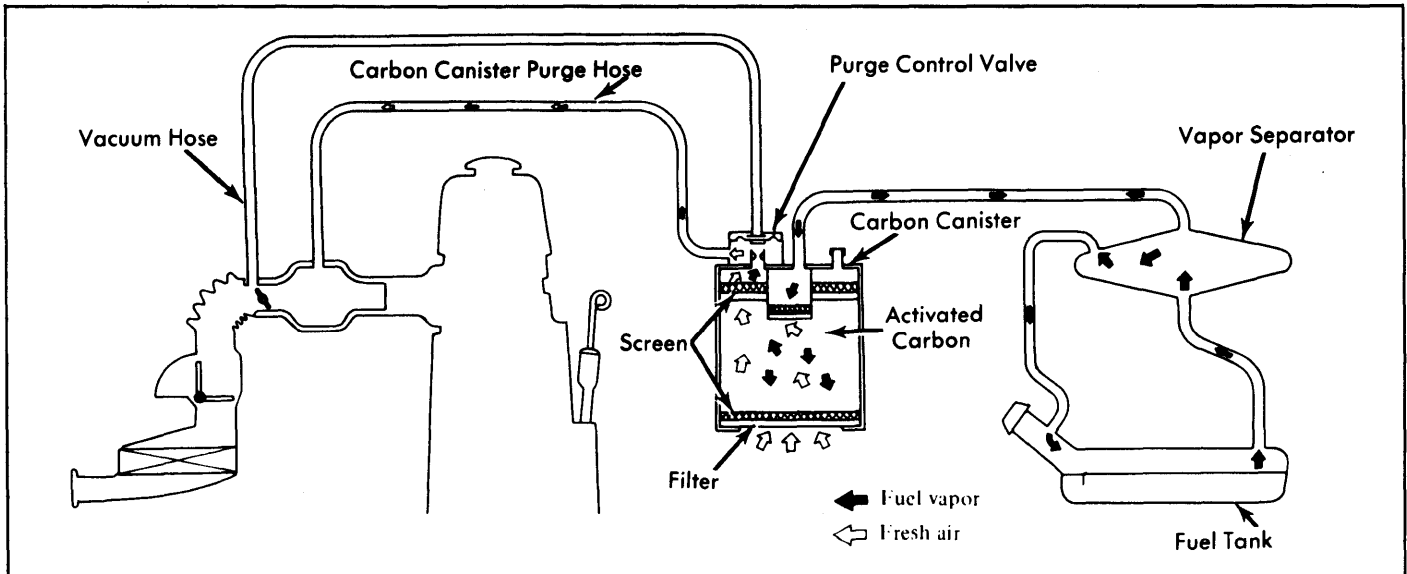


Fig. 13: 1975-78 280Z & 1977-78 Fuel Evaporation Systems

1974-79 EXHAUST EMISSION SYSTEMS

Datsun Vacuum Diagrams (Cont.)

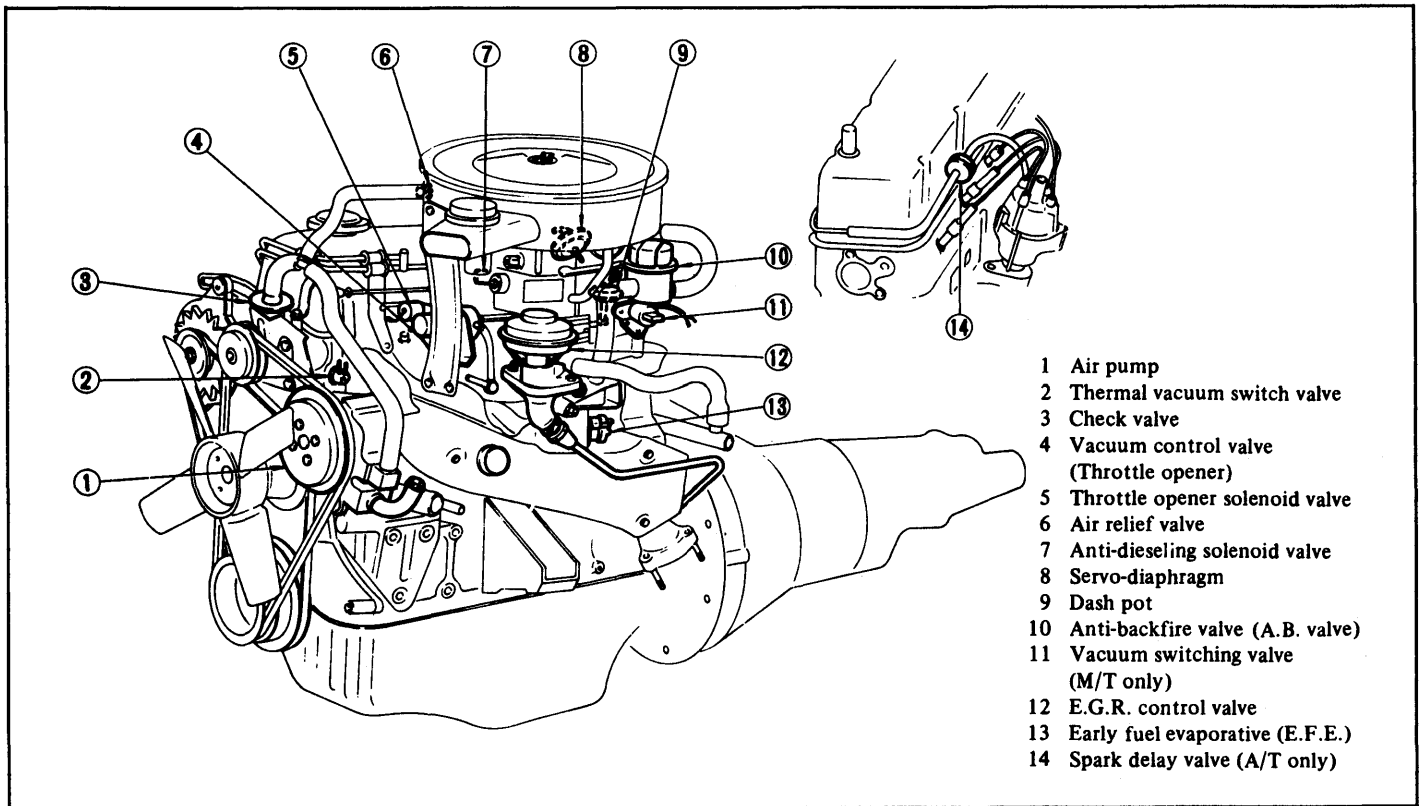


Fig. 14: 1976 B210 Exhaust Emission System (Except California)

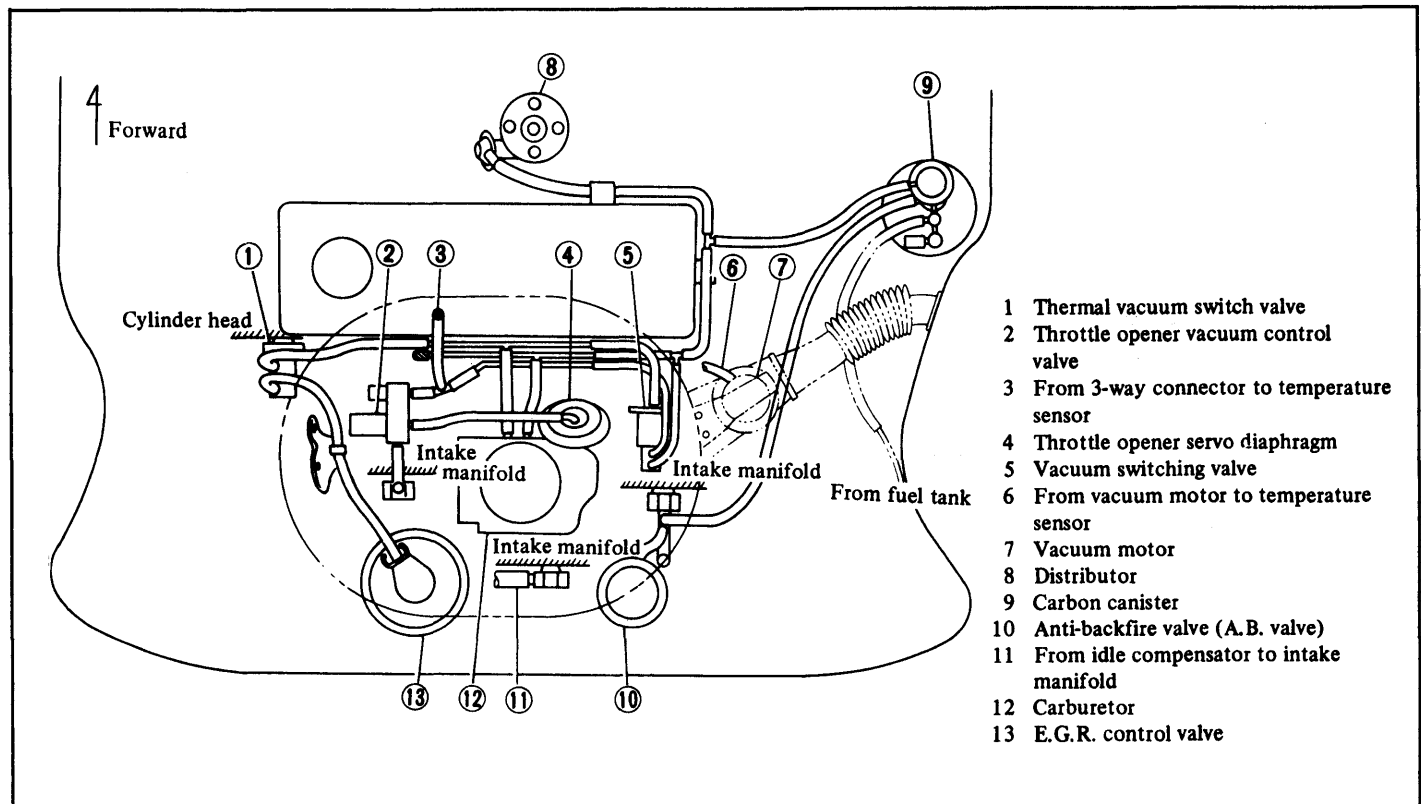


Fig. 15: 1976 F10 Exhaust Emission System (Except California)

1974-79 EXHAUST EMISSION SYSTEMS Datsun Vacuum Diagrams (Cont.)

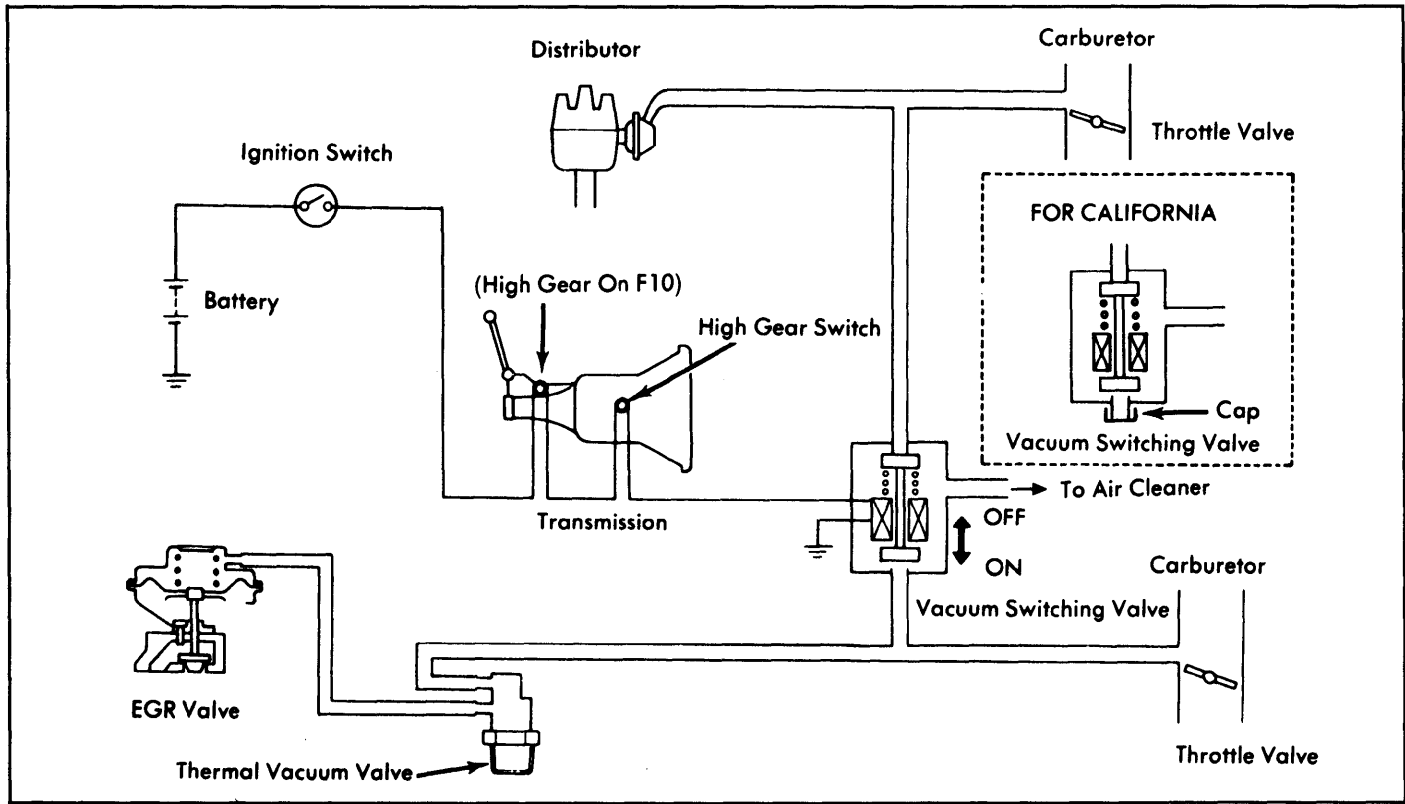


Fig. 16: 1976 B210 & F10 Transmission Controlled Spark System

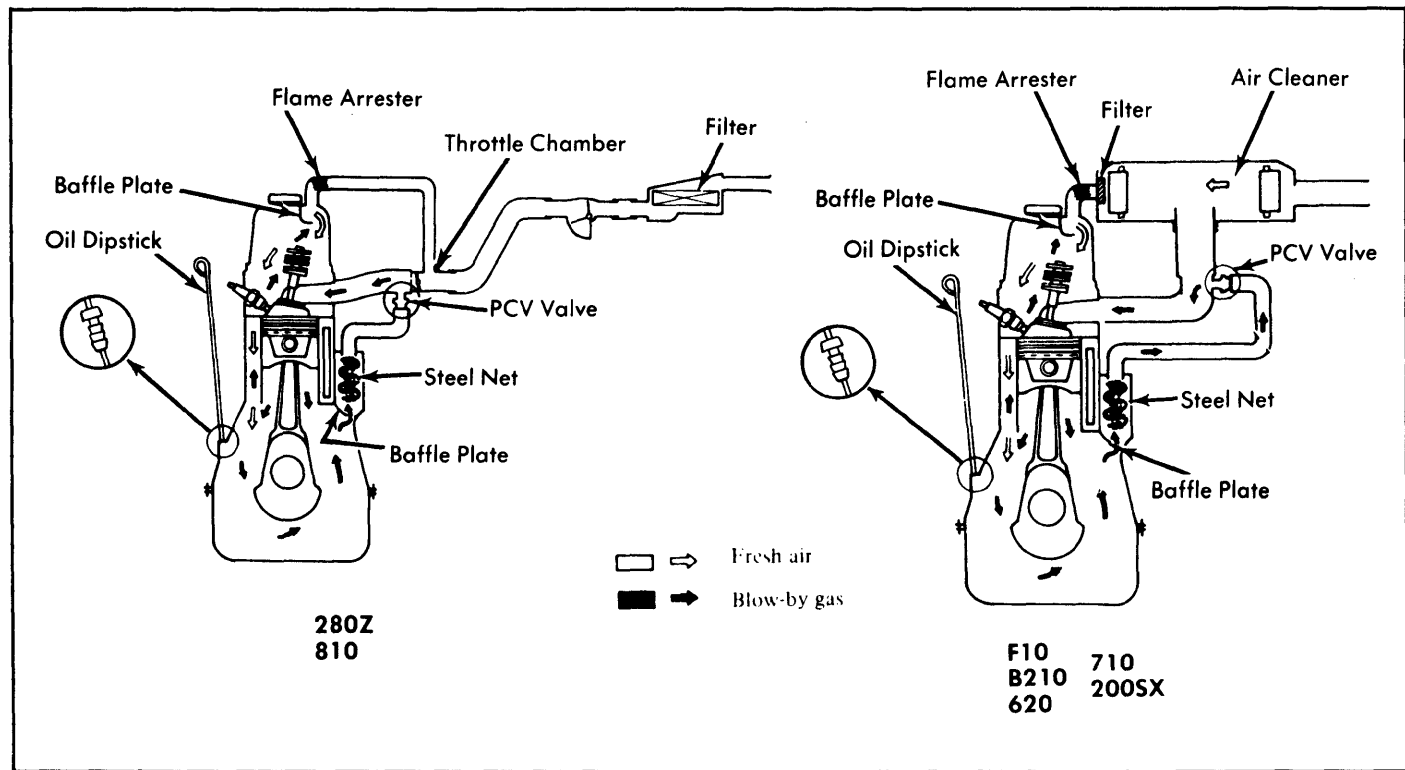
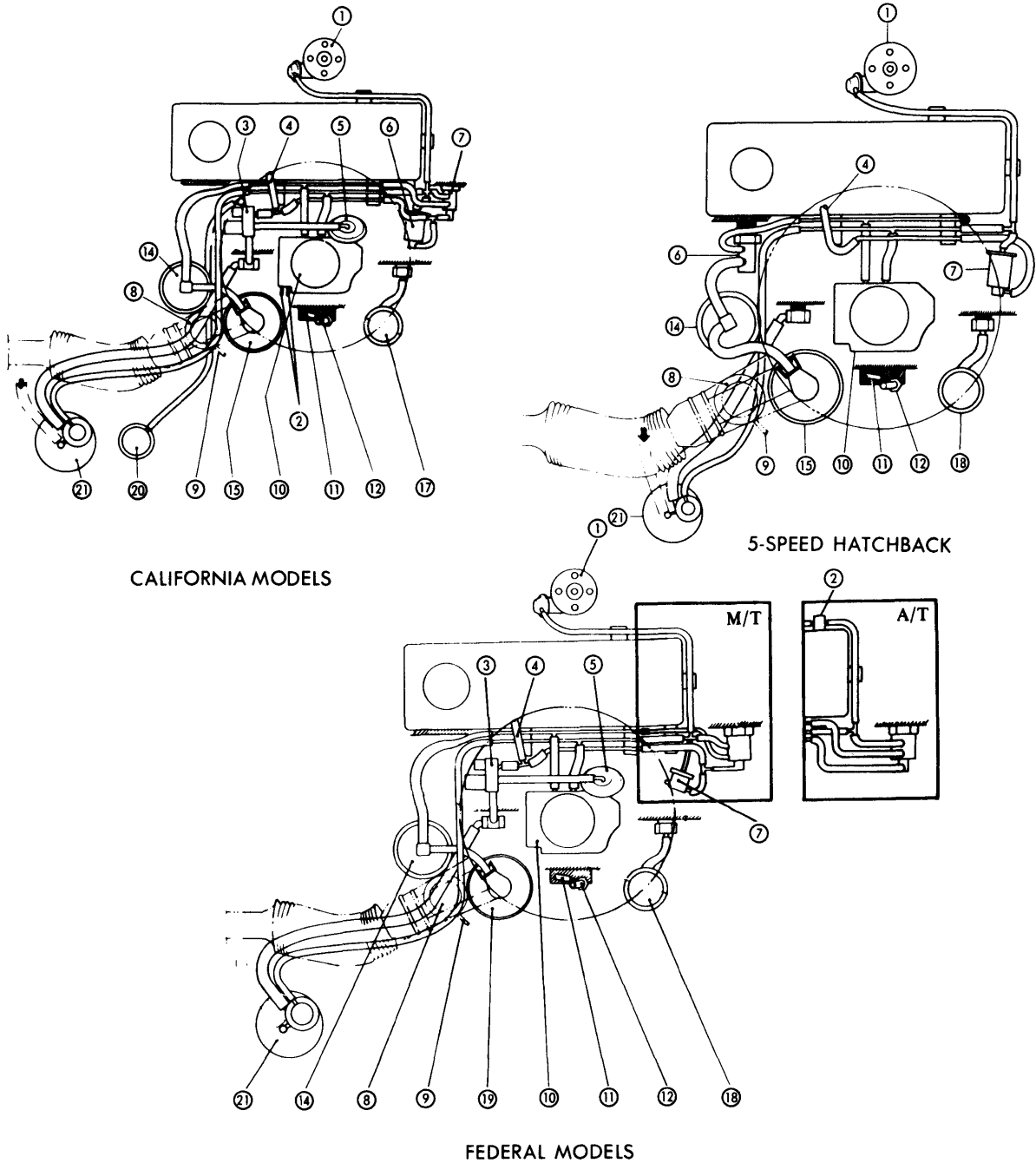


Fig. 17: 1977-78 Positive Crankcase Ventilation Systems

1974-79 EXHAUST EMISSION SYSTEMS

Datsun Vacuum Diagrams (Cont.)



CALIFORNIA MODELS

5-SPEED HATCHBACK

FEDERAL MODELS

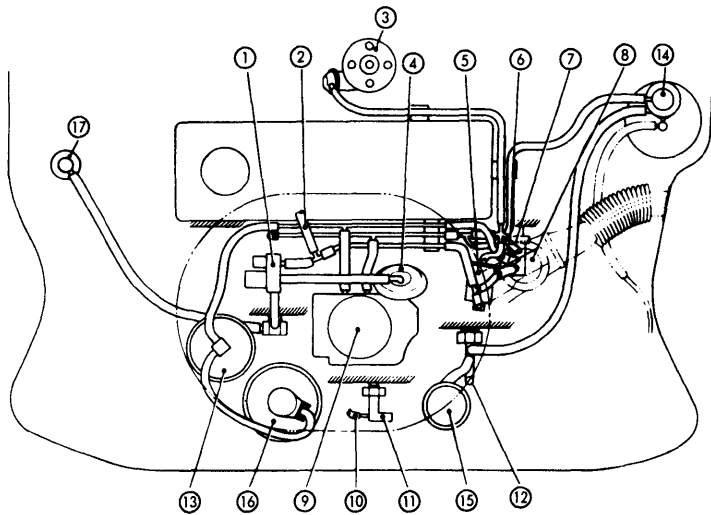
- 1 - Distributor
- 2 - Altitude Compensator Pipe
- 3 - Throttle Opener Vac. Control Valve
- 4 - To Air Cleaner
- 5 - Throttle Opener Servo Diaphragm
- 6 - Vacuum Switching Valve
- 7 - Thermal Vacuum Valve
- 8 - Vacuum Motor

- 9 - From Vac. Motor to Temperature Sensor
- 10 - Carburetor
- 11 - From Idle Compensator to Intake Manifold
- 12 - To Anti-Backfire Valve
- 13 - Check Valve
- 14 - Backpressure Transducer Valve
- 15 - PCV Filter

- 16 - Auto-Choke Heater
- 17 - Anti-Backfire Valve
- 18 - EGR Valve
- 19 - EGR Passage
- 20 - C.A.C. Valve
- 21 - Carbon Canister

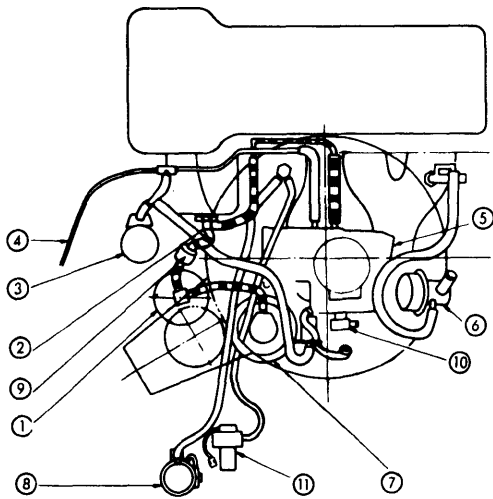
Fig. 18: 1978 B210 Exhaust Emission Systems

1974-79 EXHAUST EMISSION SYSTEMS Datsun Vacuum Diagrams (Cont.)

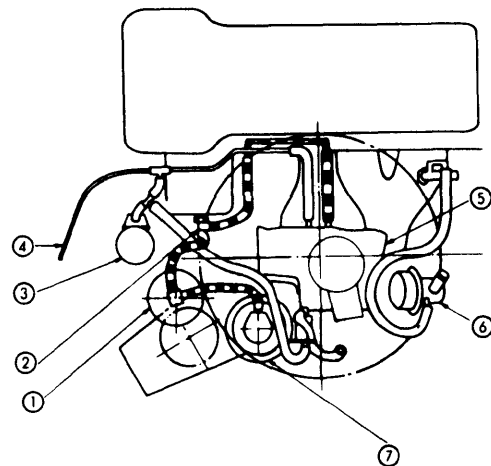


- | | | |
|--------------------------------------|-------------------------------|------------------------------------|
| 1 - Throttle Opener Vac. Cont. Valve | 7 - To Temp. Sensor | 13 - Backpressure Transducer Valve |
| 2 - To Air Cleaner | 8 - Vacuum Motor | 14 - Carbon Canister |
| 3 - Distributor | 9 - Carburetor | 15 - Anti-Backfire Valve |
| 4 - Throttle Opener Servo Diaphragm | 10 - To Intake Manifold | 16 - EGR Valve |
| 5 - Vac. Switching Valve | 11 - From Anti-Backfire Valve | 17 - C.A.C. Valve (Cal. Only) |
| 6 - Thermal Vac. Valve | 12 - From Master-Vac. | |

Fig. 19: 1978 F10 Exhaust Emission System



CALIFORNIA MODELS



FEDERAL MODELS

- | | | |
|-------------------------------------|-------------------------|--------------------------------|
| 1 - Backpressure Transducer Valve | 5 - Carburetor | 9 - Vacuum Delay Valve |
| 2 - Thermal Vacuum Valve | 6 - Anti-Backfire Valve | 10 - Int. Man. Vacuum Port |
| 3 - Distributor | 7 - EGR Valve | 11 - Fuel Shut-Off Cont. Valve |
| 4 - To Canister Purge Control Valve | 8 - C.A.C. Valve | |

Fig. 20: 1978 Pickup Exhaust Emission Systems

1974-79 EXHAUST EMISSION SYSTEMS

Datsun Vacuum Diagrams (Cont.)

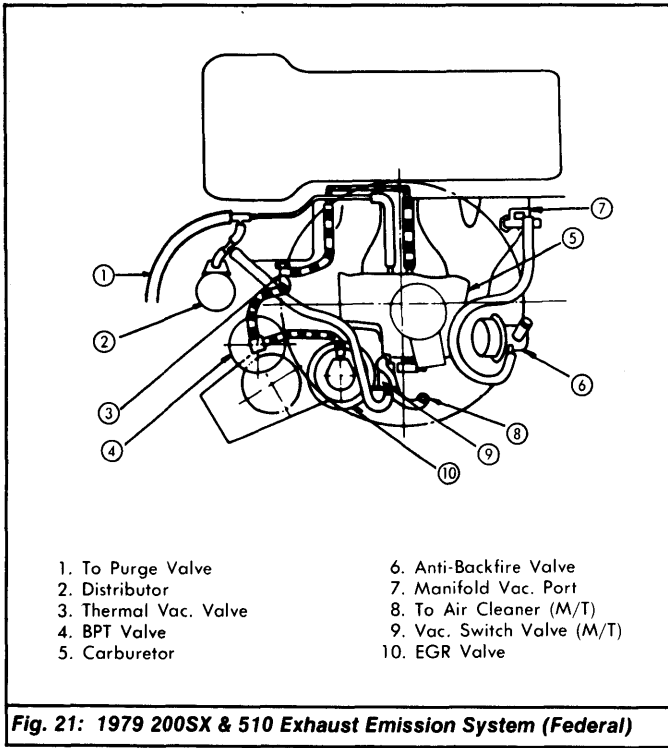


Fig. 21: 1979 200SX & 510 Exhaust Emission System (Federal)

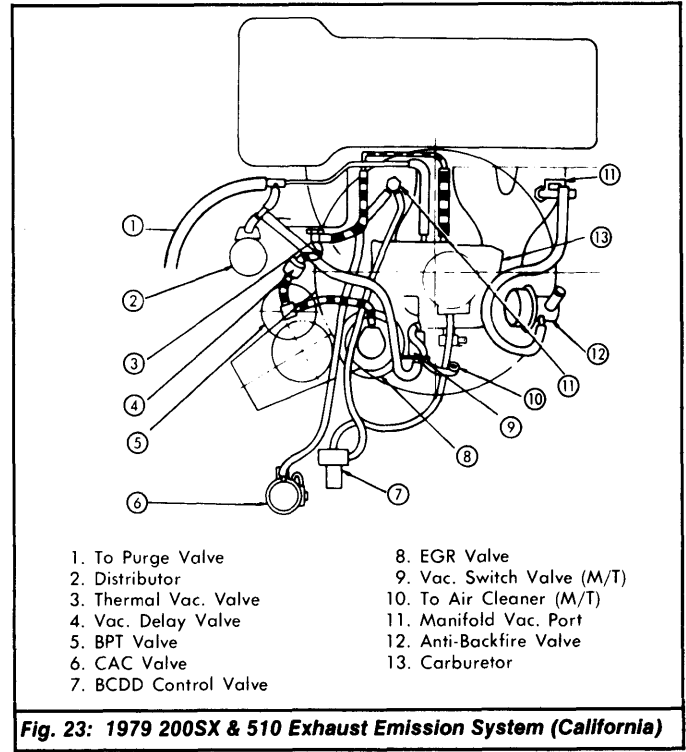


Fig. 23: 1979 200SX & 510 Exhaust Emission System (California)

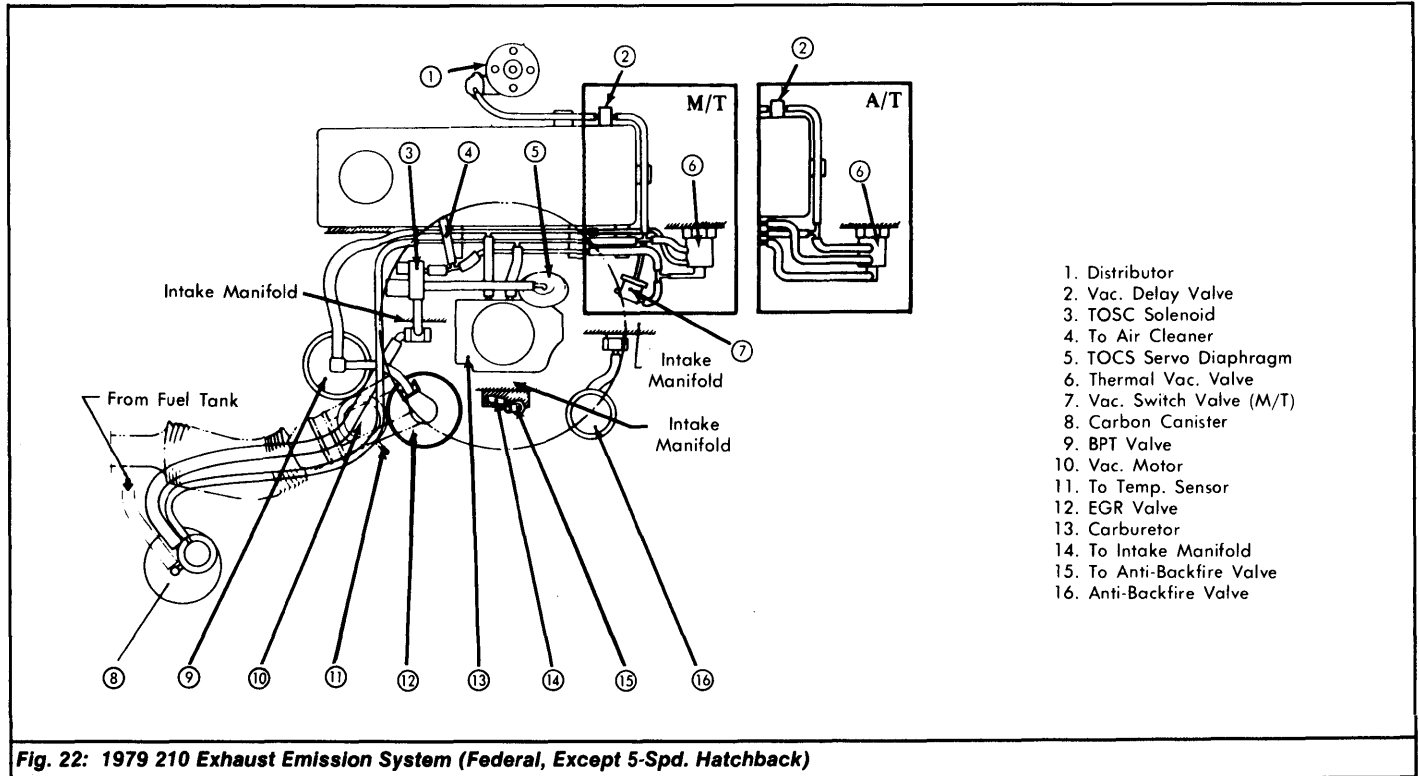
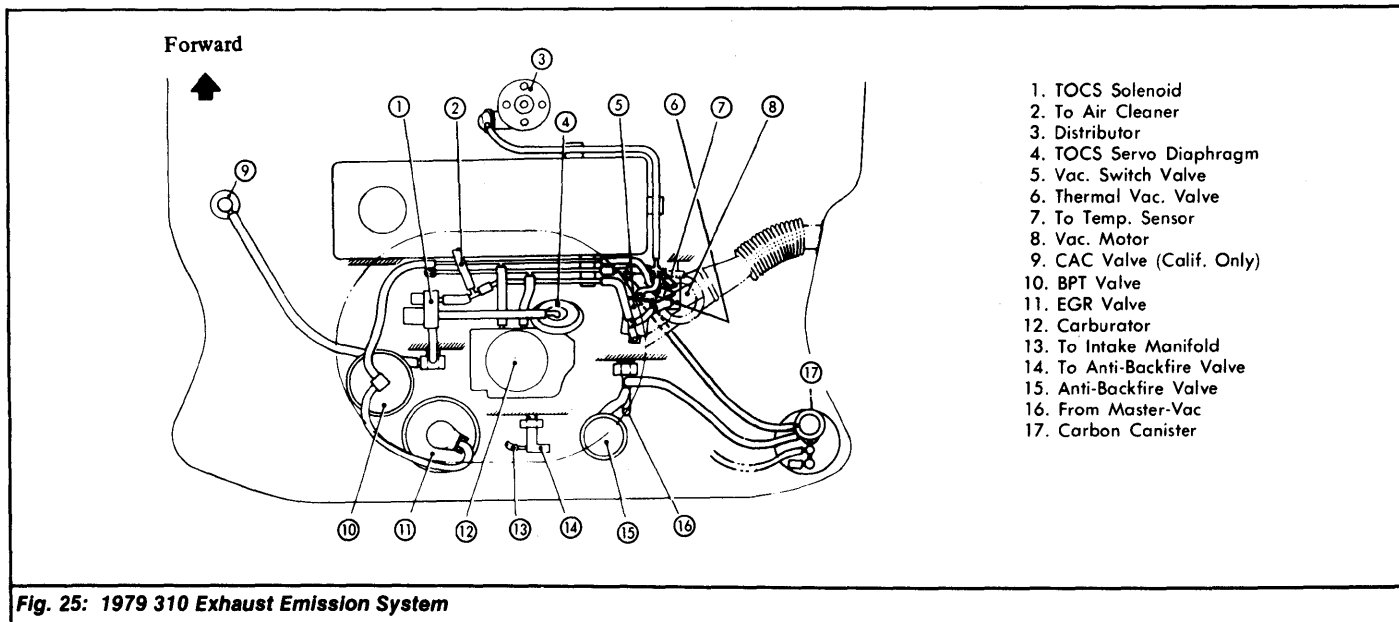
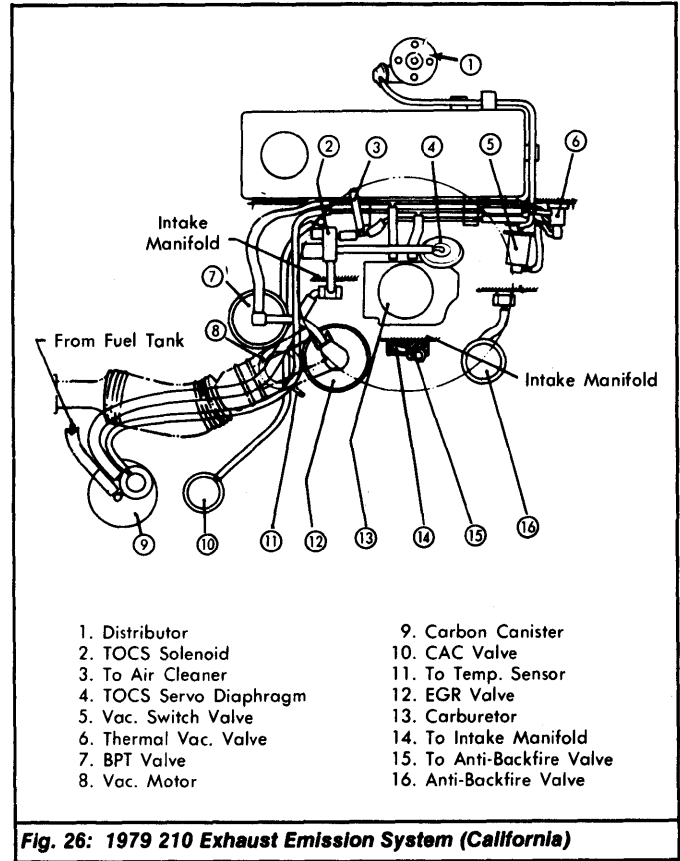
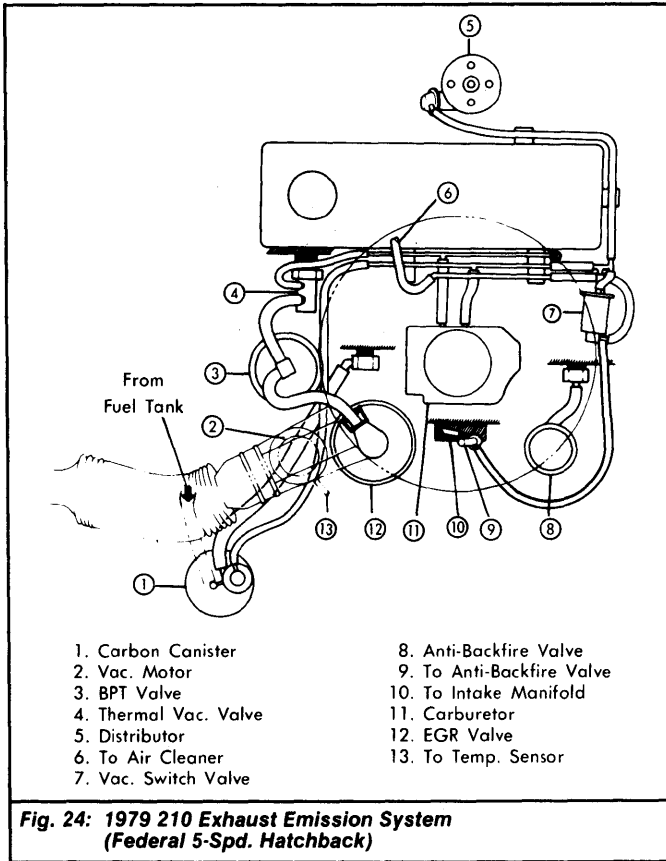
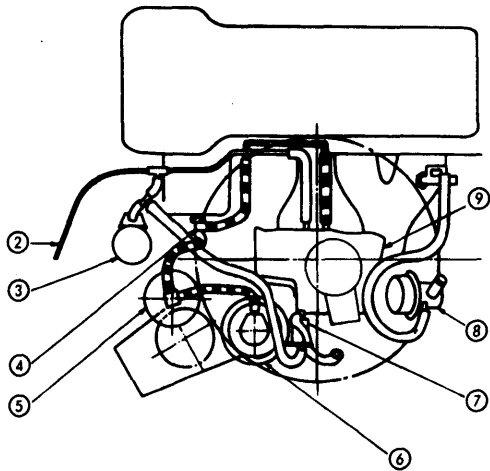


Fig. 22: 1979 210 Exhaust Emission System (Federal, Except 5-Spd. Hatchback)

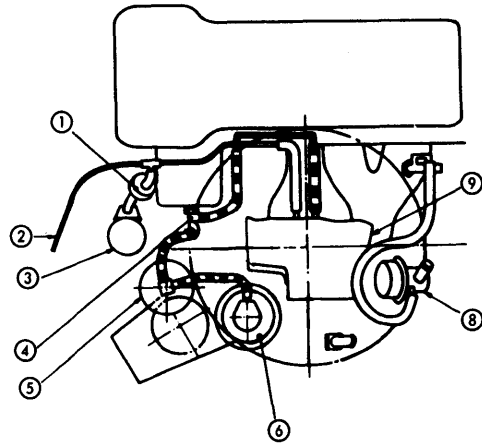
1974-79 EXHAUST EMISSION SYSTEMS Datsun Vacuum Diagrams (Cont.)



1974-79 EXHAUST EMISSION SYSTEMS Datsun Vacuum Diagrams (Cont.)



MAN. TRANS. MODELS

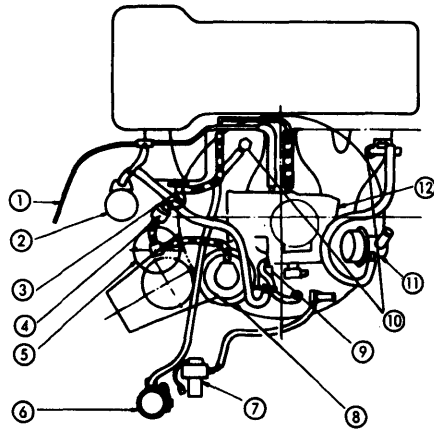


AUTO. TRANS. MODELS

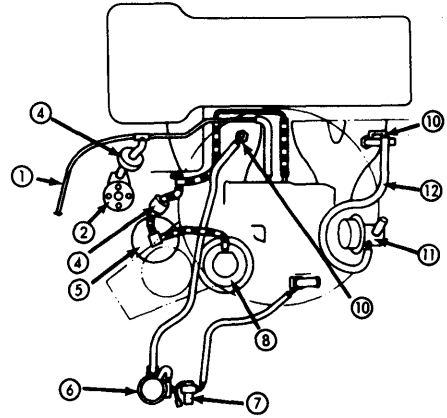
- 1. Vac. Delay Valve
- 2. To Purge Valve
- 3. Distributor
- 4. Thermal Vac. Valve
- 5. BPT Valve

- 6. EGR Valve
- 7. Vac. Switch Valve
- 8. Anti-Backfire Valve
- 9. Carburetor

Fig. 27: 1979 Pickup Exhaust Emission Systems (Federal)



MAN. TRANS. MODELS



AUTO. TRANS. MODELS

- 1. To Purge Valve
- 2. Distributor
- 3. Thermal Vac. Valve
- 4. Vac. Delay Valve
- 5. BPT Valve
- 6. CAC Valve

- 7. Fuel Shut-Off Valve
- 8. EGR Valve
- 9. Vac. Switch Valve
- 10. Manifold Vac. Port
- 11. Anti-Backfire Valve
- 12. Carburetor

Fig. 28: 1979 Pickup Exhaust Emission Systems (California)