

# 1974-79 EXHAUST EMISSION SYSTEMS

## Chrysler Corp. Catalytic Converters

3-65

### All Models

### DESCRIPTION

Catalytic converter is a monolithic element type or pellet element type, depending on vehicle application. It is used to control HC and CO emissions. Converter is pressed into lower portion of exhaust manifold and is retained by cushions and support piece. Size of element depends on model and state applications.

**NOTE:** Heat created by misfiring spark plugs, mistuned engine or using leaded fuel will damage converter. If damaged, converter and lower manifold must be replaced as an assembly.

### SERVICING

**Removal** - Remove air cleaner, air duct and heat cowl from exhaust manifold. Detach front exhaust pipe from manifold. Unbolt manifold from engine and remove from vehicle. Lower portion of manifold, containing converter, can now be removed.

**Installation** - To install, reverse removal procedure.

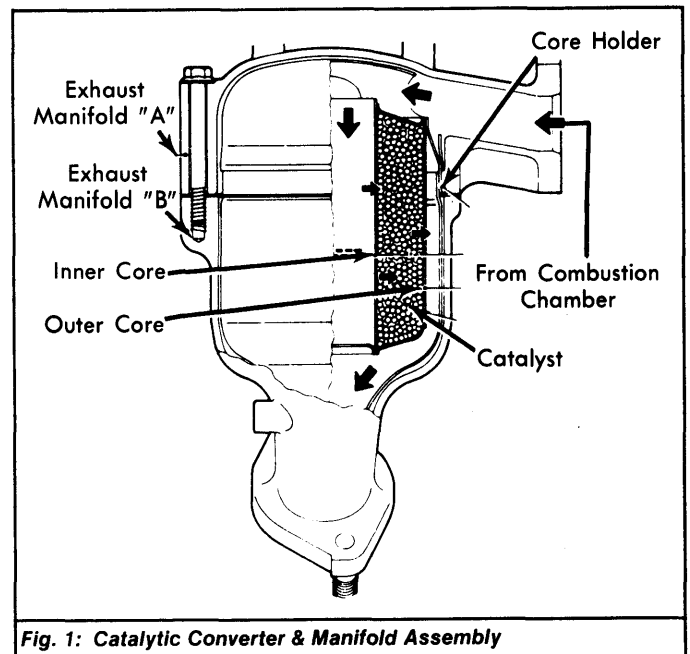


Fig. 1: Catalytic Converter & Manifold Assembly