

Crankcase Ventilation

OPEL CLOSED

Opel (1966-73)

DESCRIPTION

1.1 Liter Engine (1966-71) – Closed crankcase ventilation system consists of one large hose connected to air cleaner and rocker arm cover. One small hose, incorporating a metered orifice, connects intake manifold to large hose.

1.5 & 1.9 Liter Engine (1968-73) – Closed crankcase ventilation system consists of one large hose connected from air cleaner to rocker arm cover. A small hose, incorporating a metered orifice, connects intake manifold to rocker arm cover.

NOTE – All engines have sealed oil filler cap.

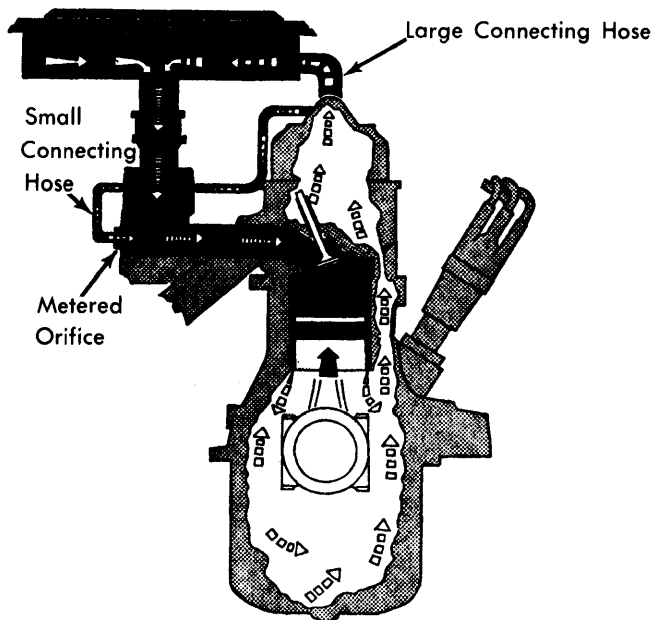
OPERATION

1.1 Liter Engine (1966-71) – During low manifold vacuum, crankcase gases are drawn into air cleaner. During high vacuum, crankcase gases are drawn directly into intake manifold through small hose and a metered orifice.

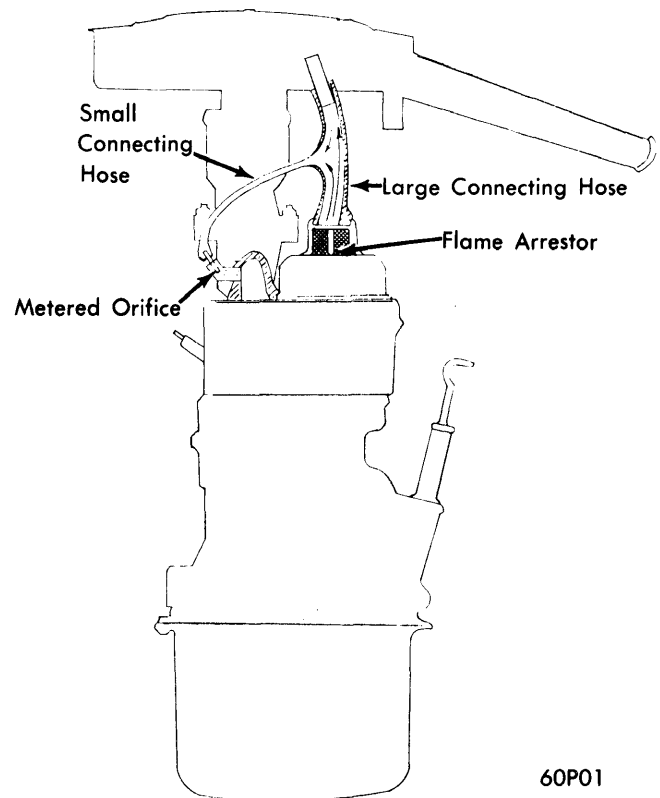
1.5 & 1.9 Liter Engine (1968-73) – During low manifold vacuum, crankcase gases are drawn into air cleaner through large connecting hose. During high manifold vacuum, crankcase gases are drawn into intake manifold through small connecting hose and a metered orifice.

MAINTENANCE

All Models – Both connecting hoses and metered orifice should be checked, and cleaned if necessary, every 6,000 miles.



**CRANKCASE VENTILATION SYSTEM
1.5 & 1.9 LITER ENGINE (1968-73)**



**CRANKCASE VENTILATION SYSTEM
1.1 LITER ENGINE (1966-71)**