

# Crankcase Ventilation

## AUDI CLOSED

Super 90  
100 Series  
Fox

### DESCRIPTION

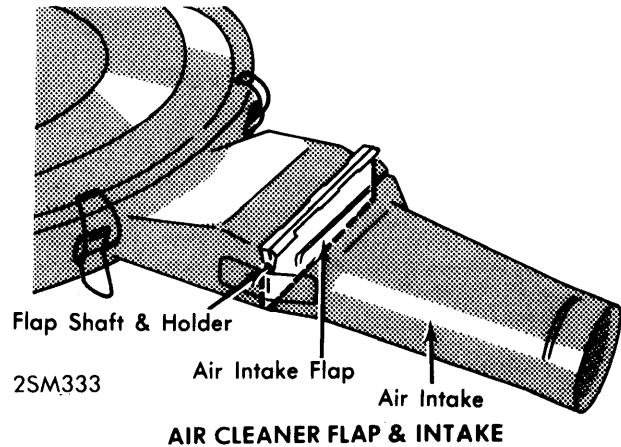
Audi incorporates a closed crankcase ventilation system which consists of an oil separator (located in the cylinder head rocker cover) and a connecting hose between the oil separator and the carburetor air cleaner.

### OPERATION

Fumes and vapors produced in the crankcase pass through the connecting hose to the air cleaner where they are drawn through the carburetor and enter the combustion system to be burned. A valve (flap) is installed in the carburetor air cleaner inlet to ensure there is sufficient vacuum within the air cleaner (under all operating conditions) to prevent crankcase fumes and vapors from being emitted into the atmosphere.

### MAINTENANCE

Every 6,000 miles check connecting hose for chafing, cracks or obstructions, clean or replace as required. Check carburetor air intake valve for ease of operation, if necessary, clean and oil valve bearing surfaces.



## BMW CLOSED

1600 Sedan  
2002 & 2002 TII Sedan  
2500 Sedan  
2800 Sedan  
Bavaria  
2.8 CS & 3.0 CS

### DESCRIPTION

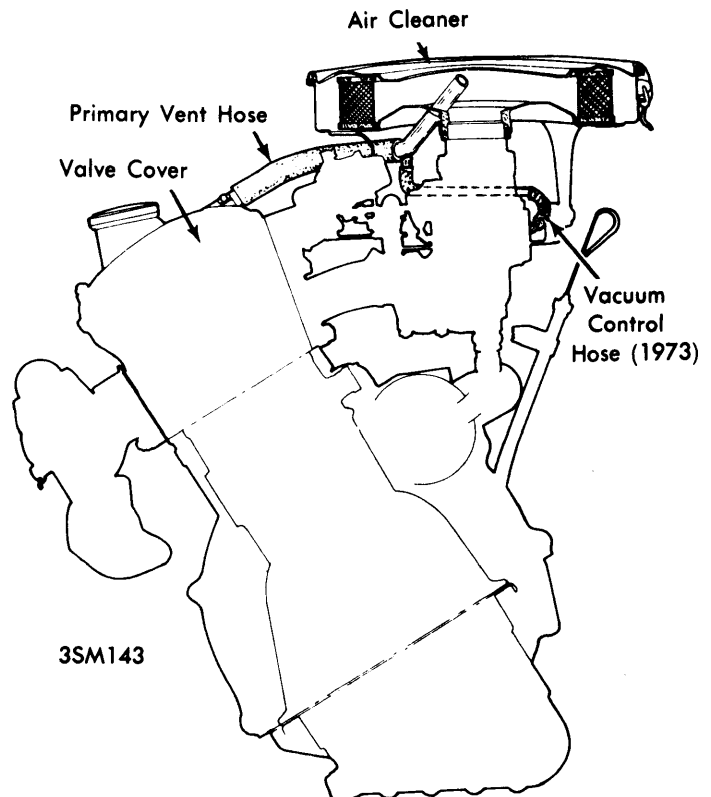
System prevents crankcase fumes and vapors from escaping into the atmosphere. System consists of two hoses (one on early models). One connected between valve cover and air cleaner and the other, containing an orifice, connected between first hose and throttleplate housing (late models only). The valve cover also incorporates a baffle system.

### OPERATION

Crankcase fumes and vapors flow through timing gear case to valve cover and through a hose into air cleaner. From air cleaner, fumes are drawn into engine and burned. Escape of fumes and vapors from crankcase is prevented by maintaining a vacuum in crankcase. This vacuum is controlled by a calibrated by-pass line which connects intake manifold with vent hose on air cleaner (late models only). The baffle system in valve cover prevents transfer of oil to air intake.

### MAINTENANCE

**All Models** — No maintenance required on BMW crankcase ventilation system.



**BMW CRANKCASE VENTILATION SYSTEM (TYPICAL)**