

FORD MOTOR CO. VACUUM DIAGRAMS

FORD MOTOR CO. VACUUM DIAGRAM INDEX						
Engine & Model	Application	Transmission	A/C	Non A/C	Calibration	Fig. No.
2.3L 4 Cylinder						
Fairmont, Zephyr, Mustang, Capri	Fed.	Auto.	X	X	9-21B-R10	1
Fairmont, Zephyr, Mustang, Capri	Fed.	Auto.	X	X	0-1B-R0	2
Pinto, Bobcat	Fed.	Auto.	X	X	0-1B-R0	3
Fairmont, Zephyr, Mustang, Capri	Fed.	Auto.	X	X	0-1B-R11	4
Fairmont, Zephyr, Mustang, Capri	Fed.	Auto.	X	X	0-1B-R12	4
Fairmont, Zephyr, Mustang, Capri	Fed.	Auto.	X	X	0-1G-R0	5
Fairmont, Zephyr, Mustang, Capri	Fed.	Auto.	X	X	0-1G-R11	5
Fairmont, Zephyr, Mustang, Capri	Fed.	Auto.	X	X	0-1G-R12	5
Fairmont, Zephyr, Mustang, Capri	Fed.	Auto.	X	X	0-1H-R10	6
Fairmont, Zephyr, Mustang, Capri	Fed.	Auto.	X	X	0-1H-R11	7
Fairmont, Zephyr, Mustang, Capri	Fed.	Auto.	X	X	0-1H-R15	6
Fairmont, Zephyr, Mustang, Capri	Fed.	Auto.	X	X	0-1H-R19	76
Fairmont, Zephyr, Mustang, Capri	Fed.	Auto.	X	X	0-1H-R20	7
Pinto, Bobcat	Calif.	Auto.	X	X	0-1P-R0	8
Fairmont, Zephyr, Mustang, Capri	Calif.	Auto.	X	X	0-1P-R0	9
Fairmont, Zephyr, Mustang, Capri	Calif.	Auto.	X	X	0-1S-R0	10
Fairmont, Zephyr, Mustang, Capri	Calif.	Auto.	X	X	0-1S-R10	11
Fairmont, Zephyr, Mustang, Capri	Calif.	Auto.	X	X	0-1S-R11	10
Fairmont, Zephyr, Mustang, Capri	Calif.	Auto.	X	X	0-1S-R15	77
Pinto, Bobcat	Fed.	Man.	X		0-2B-R0	12
Pinto, Bobcat	Fed.	Man.		X	0-2B-R0	13
Fairmont, Zephyr	Fed.	Man.		X	0-2B-R0	14
Fairmont, Zephyr	Fed.	Man.	X		0-2B-R0	15
Pinto, Bobcat	Fed.	Man.	X		0-2C-R0	12
Pinto, Bobcat	Fed.	Man.		X	0-2C-R0	13
Mustang, Capri	Fed.	Man.		X	0-2C-R0	14
Mustang, Capri	Fed.	Man.	X		0-2C-R0	16
Pinto, Bobcat	Fed.	Man.	X	X	0-2C-R10	17
Fairmont, Zephyr, Mustang, Capri	Fed.	Man.	X	X	0-2C-R10	18
Mustang, Capri	Fed.	Man.	X	X	0-2E-R0	19
Mustang, Capri	Calif.	Man.	X	X	0-2E-R10	20
Mustang, Capri	Calif.	Man.	X	X	0-2S-R0	21
Pinto, Bobcat	Calif.	Man.	X	X	0-2T-R0	22
Fairmont, Zephyr, Mustang, Capri	Calif.	Man.	X	X	0-2T-R0	23
Pinto, Bobcat	Calif.	Man.	X	X	0-2T-R10	22
Fairmont, Zephyr, Mustang, Capri	Calif.	Man.	X	X	0-2T-R10	23
Pinto, Bobcat	Fed.	Auto.	X	X	0-21A-R0	24
Fairmont, Zephyr, Mustang, Capri	Fed.	Auto.	X	X	0-21A-R0	25
Fairmont, Zephyr	Fed.	Auto.	X	X	0-21B-R0	26
Pinto, Bobcat	Fed.	Auto.	X	X	0-21B-R0	27
Pinto, Bobcat	Fed.	Auto.	X	X	0-21B-R10	28
200" 6 Cylinder						
Fairmont, Zephyr, Mustang, Capri	Fed.	Man.		X	0-6A-R0	29
Fairmont, Zephyr, Mustang, Capri	Fed.	Man.	X	X	0-6A-R1	30
Fairmont, Zephyr, Mustang, Capri	Fed.	Auto.	X	X	0-7A-R0	31
Thunderbird, XR7	Fed.	Auto.	X	X	0-7A-R11	78
Fairmont, Zephyr, Mustang, Capri	Calif.	Auto.	X		0-7P-R10	32
Fairmont, Zephyr, Mustang, Capri	Calif.	Auto.		X	0-7P-R10	33
Fairmont, Zephyr, Mustang, Capri	Calif.	Auto.	X	X	07P-R11	34,35
Fairmont, Zephyr, Mustang, Capri	Calif.	Auto.	X		0-7Q-R1	36
Fairmont, Zephyr, Mustang, Capri	Calif.	Auto.		X	0-7Q-R1	37
Fairmont, Zephyr, Mustang, Capri	Calif.	Auto.	X		0-7Q-R10	36
Fairmont, Zephyr, Mustang, Capri	Calif.	Auto.		X	0-7Q-R10	37
Fairmont, Zephyr, Mustang, Capri	Fed.	Auto.	X	X	0-27A-R3	38
Fairmont, Zephyr, Mustang, Capri	Fed.	Auto.	X	X	0-27A-R10	38

1980 Exhaust Emission Systems

FORD MOTOR CO. VACUUM DIAGRAMS (Cont.)

FORD MOTOR CO. VACUUM DIAGRAM INDEX						
Engine & Model	Application	Transmission	A/C	Non A/C	Calibration	Fig. No.
250" 6 Cylinder						
Granada, Monarch	Fed.	Man.	X	X	0-8A-R0	39
Granada, Monarch	Fed.	Auto.	X	X	0-9A-R0	40
Granada, Monarch	Fed.	Auto.	X	X	0-29A-R0	41
255" V8						
Mustang, Capri	Fed.	Auto.	X	X	0-16A-R0	42
Mustang, Capri	Fed.	Auto.	X	X	0-16A-R12	43
Fairmont, Zephyr, Thunderbird, XR7	Fed.	Auto.	X	X	0-16C-R0	44
Fairmont, Zephyr, Thunderbird, XR7	Fed.	Auto.	X	X	0-16C-R13	45
Fairmont, Zephyr, Thunderbird, XR7	Fed.	Auto.	X	X	0-16C-R15	45
Fairmont, Zephyr, Thunderbird, XR7	Fed.	Auto.	X		0-16C-R18	45
Thunderbird, XR7	Fed.	Auto.	X	X	0-16C-R19	45
Fairmont, Zephyr, Thunderbird, XR7	Fed.	Auto.	X	X	0-16S-R14	46
Fairmont, Zephyr, Thunderbird, XR7	Fed.	Auto.	X		0-16S-R16	46
Mustang, Capri	Calif.	Auto.	X	X	0-16T-R13	47
Mustang, Capri	Calif.	Auto.	X	X	0-16T-R15	47
Granada, Monarch	Calif.	Auto.	X	X	0-16U-R13	47
Mustang, Capri	Fed.	Auto.	X	X	0-16W-R0	48
Fairmont, Zephyr	Fed.	Auto.	X	X	0-16X-R0	48
302" V8						
Granada, Monarch	Fed.	Auto.	X	X	9-11C-R1	49
Thunderbird, XR7	Fed.	Auto.	X	X	0-11A-R0	50
Thunderbird, XR7	Fed.	Auto.	X		0-11A-R10	50
Thunderbird, XR7	Fed.	Auto.	X	X	0-11B-R0	50
Granada, Monarch	Fed.	Auto.	X	X	0-11D-R0	50
Versailles	All	Auto.	X		0-11E-R0	51
Versailles	All	Auto.	X	X	0-11E-R13	52
Fairmont, Zephyr, Thunderbird, XR7	Fed.	Auto.	X	X	0-11N-R0	53
Thunderbird, XR7	Fed.	Auto.	X	X	0-11N-R10	53
Fairmont, Zephyr, Thunderbird, XR7	Fed.	Auto.	X		0-11N-R11	53
Thunderbird, XR7	Fed.	Auto.	X	X	0-11N-R13	53
Thunderbird, XR7	Calif.	Auto.	X	X	0-11P-R12	54
Thunderbird, XR7	Calif.	Auto.	X	X	0-11P-R13	54
Granada, Monarch	Calif.	Auto.	X	X	0-11R-R0	55
Thunderbird, XR7	Fed.	Auto.	X	X	0-11W-R0	56
Thunderbird, XR7	Hi. Alt.	Auto.	X		0-11W-R10	56
Granada, Monarch	Fed.	Auto.	X	X	0-11X-R0	57
Versailles	All	Auto.	X		0-11Y-R0	57
Ford, Mercury	Fed.	Auto.	X	X	0-13A-R0	58
Ford, Mercury	Fed.	Auto.	X	X	0-13A-R10	59
Ford, Mercury	Fed.	Auto.	X	X	0-13A-R11	60
Ford, Mercury	Fed.	Auto.	X	X	13A-R14	60
Ford	Fed.	Auto.	X	X	0-13D-R0	61
Ford, Mercury	Fed.	Auto.	X	X	0-13D-R10	62
Ford, Mercury	Fed.	Auto.	X	X	0-13D-R11	62
Ford, Mercury	Fed.	Auto.	X	X	0-13F-R0	63
Ford, Mercury	Fed.	Auto.	X	X	0-13F-R11	64
Ford, Mercury	Fed.	Auto.	X	X	0-13F-R12	64
Ford, Mercury	Calif.	Auto.	X	X	0-13R-R0	65
Ford, Mercury	Calif.	Auto.	X	X	0-13R-R10	65
Ford, Mercury	Calif.	Auto.	X	X	0-13T-R0	65
Ford, Mercury	Calif.	Auto.	X	X	0-13T-R10	65

1980 Exhaust Emission Systems

FORD MOTOR CO. VACUUM DIAGRAMS (Cont.)

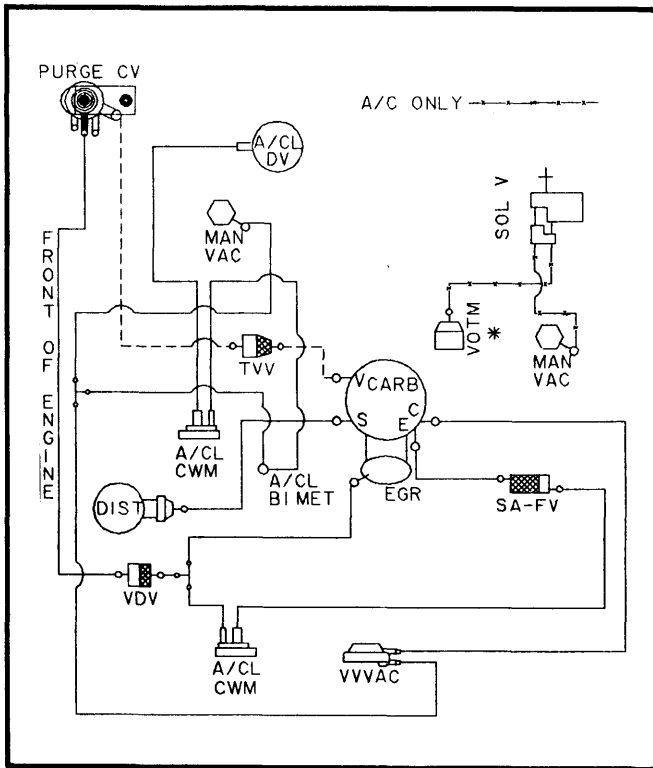


Fig. 1 Calibration 9-21B-R10; 2.3L; Federal

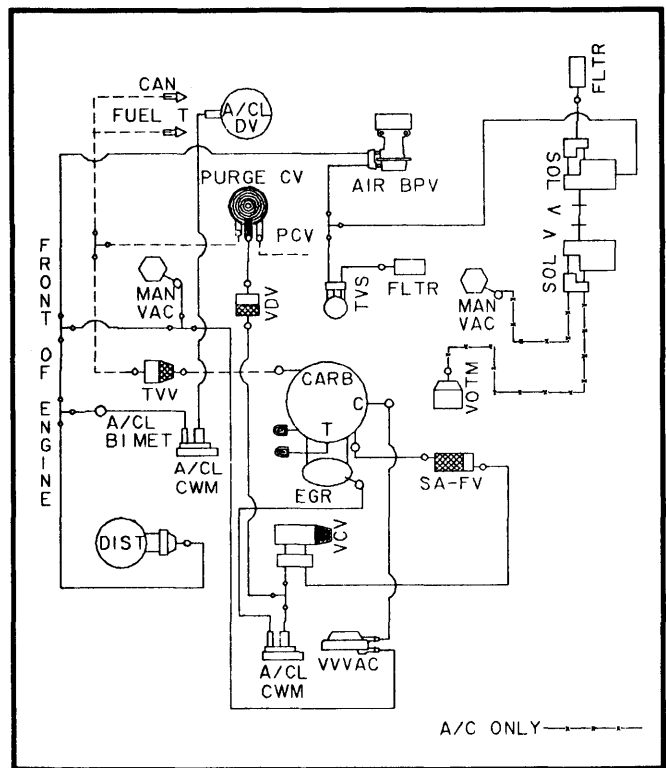


Fig. 2 Calibration 0-1B-R0; 2.3L; Federal (Except Pinto and Bobcat)

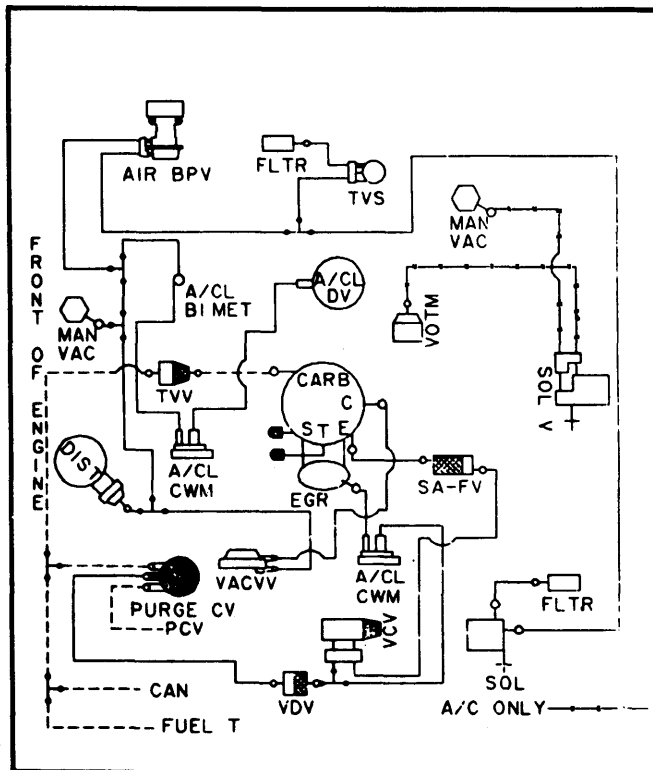


Fig. 3 Calibration 0-1B-R0; 2.3L; Federal (Pinto and Bobcat)

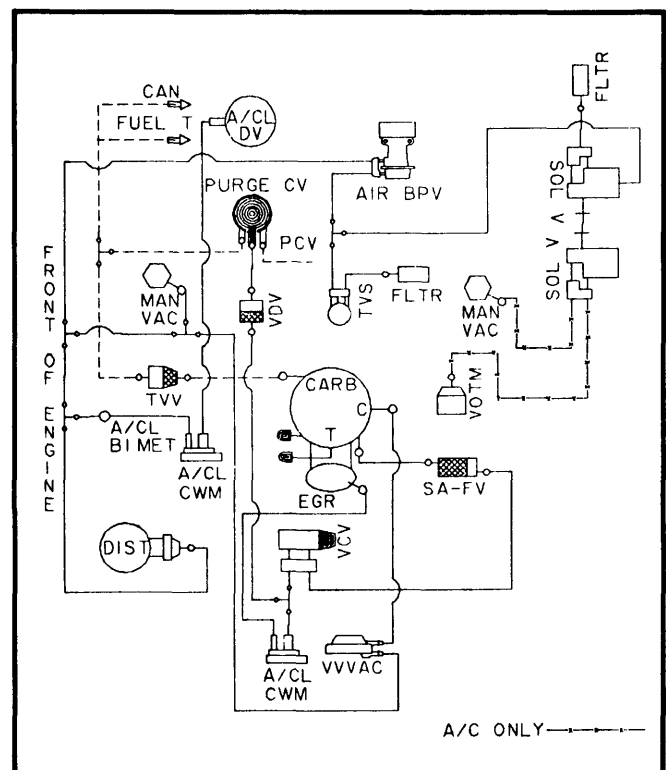


Fig. 4 Calibration 0-1B-R0, 0-1B-R11, 0-1B-R12; Federal (Except Pinto and Bobcat)

FORD MOTOR CO. VACUUM DIAGRAMS (Cont.)

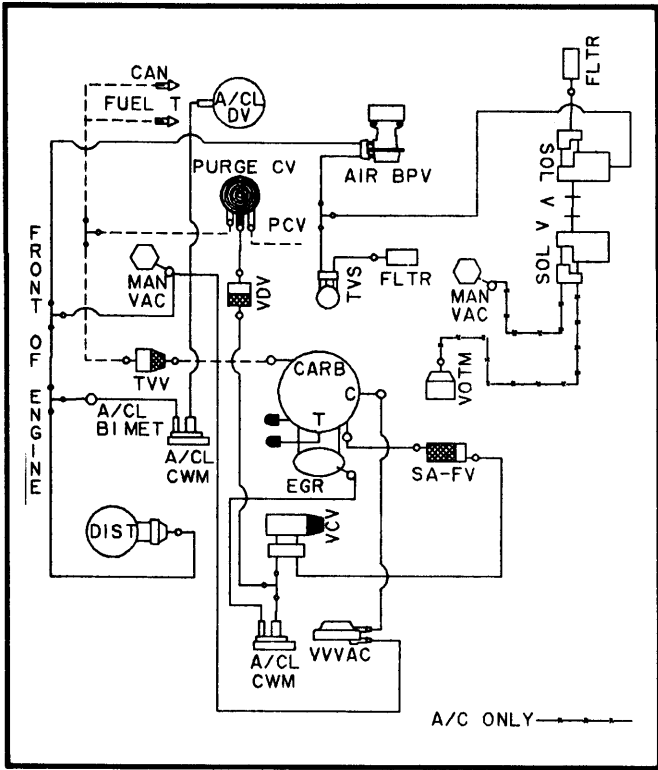


Fig. 5 Calibration 0-1G-R0, 0-1G-R11, 0-1G-R12; 2.3L; Federal

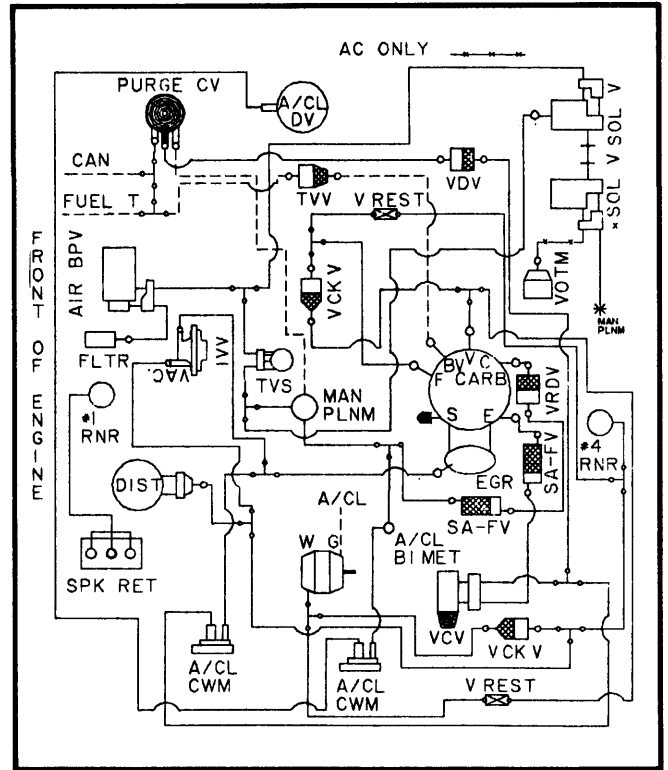


Fig. 6 Calibration 0-1H-R10, 0-1H-R15; 2.3L; Federal

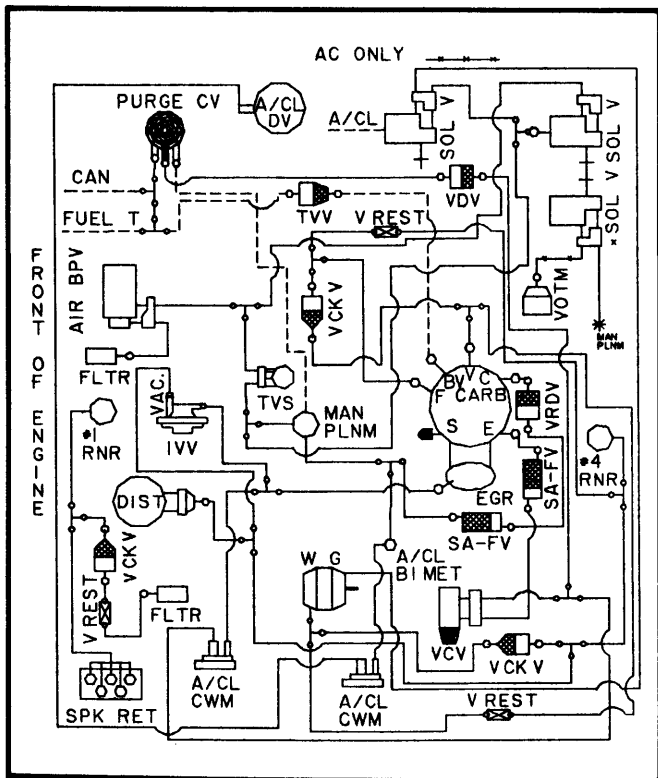


Fig. 7 Calibration 0-1S-R11, 0-1H-R20; 2.3L; Federal

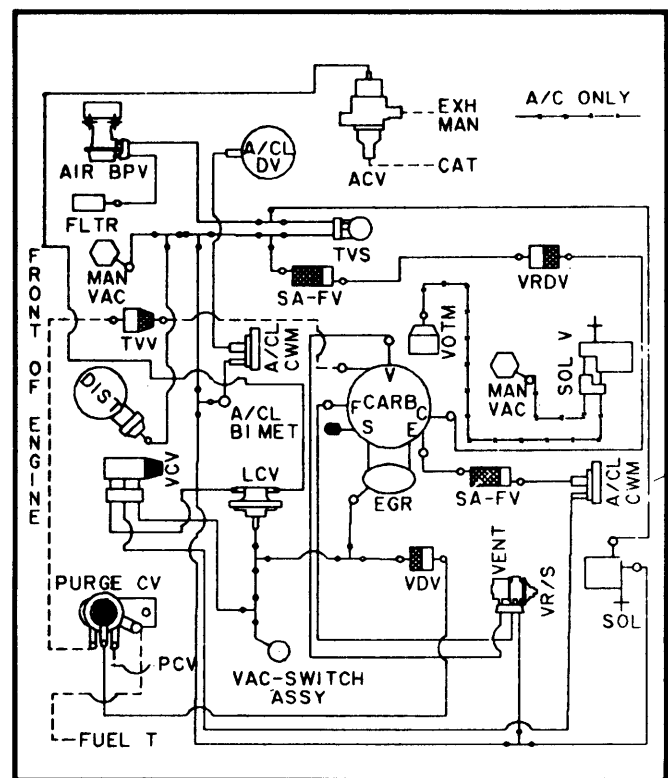


Fig. 8 Calibration 0-1P-R0; 2.3L; Calif. (Pinto and Bobcat)

FORD MOTOR CO. VACUUM DIAGRAMS (Cont.)

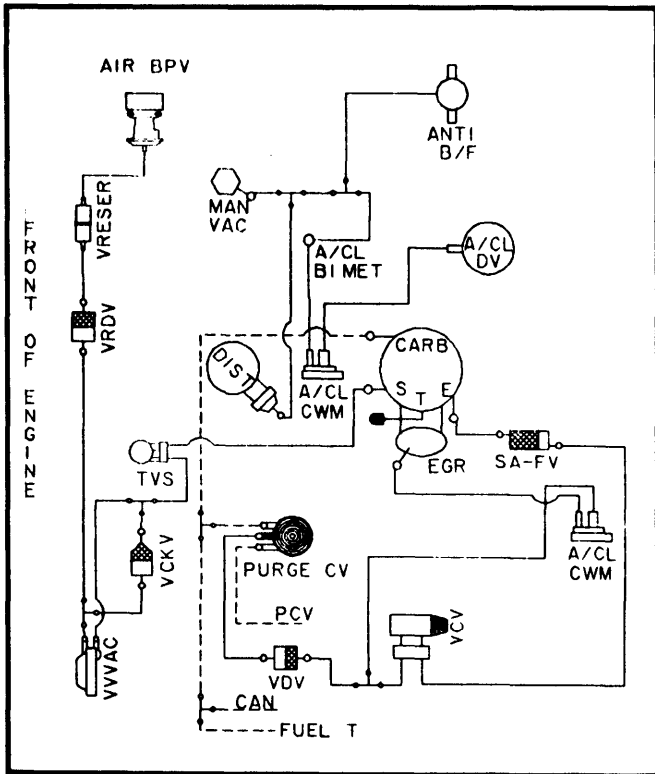


Fig. 13 Calibration 0-2B-R0, 0-2C-R0; 2.3L; Federal (Pinto and Bobcat W/out A/C)

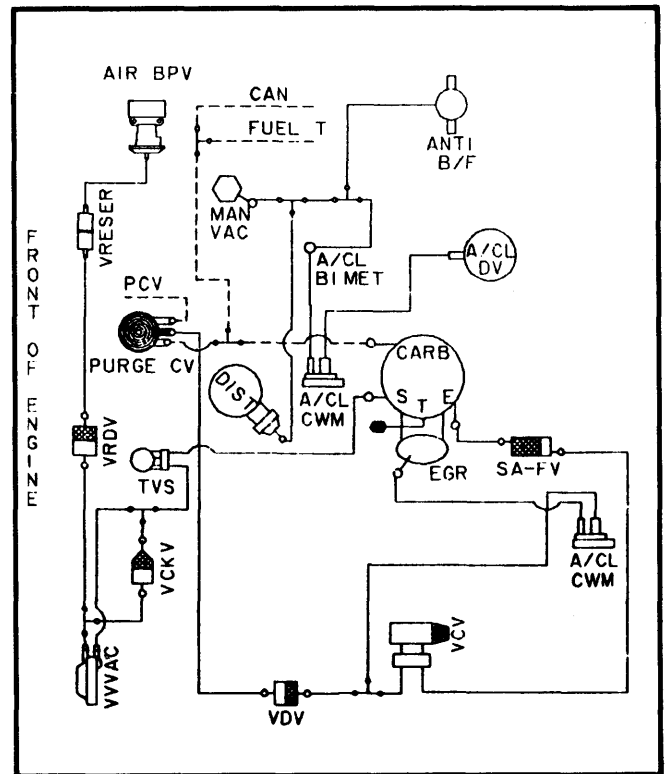


Fig. 14 Calibration 0-2B-R0, 0-2C-R0; 2.3L; Federal (Fairmont and Zephyr W/out A/C)

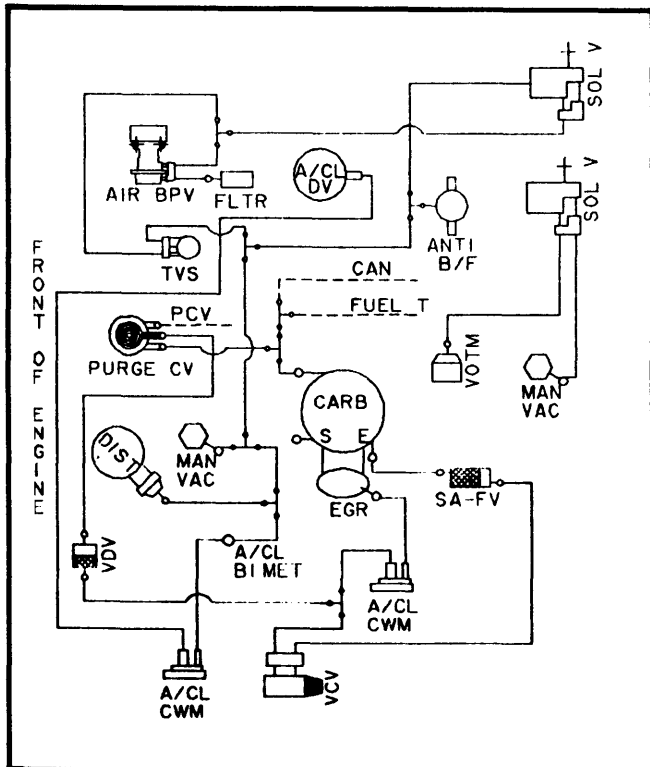


Fig. 15 Calibration 0-2B-R0; 2.3L; Federal (Fairmont and Zephyr W/A/C)

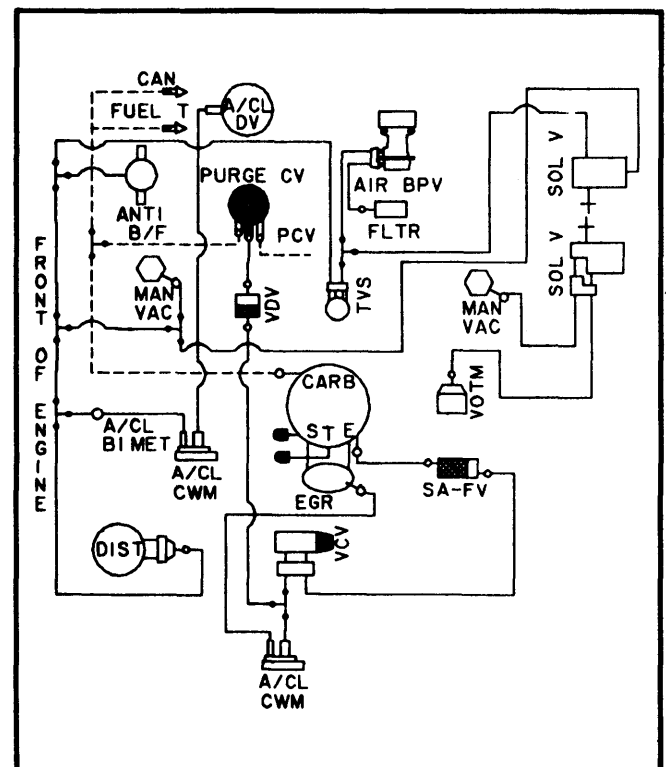


Fig. 16 Calibration 0-2C-R0; 2.3L; Federal (Mustang and Capri W/A/C)

1980 Exhaust Emission Systems

FORD MOTOR CO. VACUUM DIAGRAMS (Cont.)

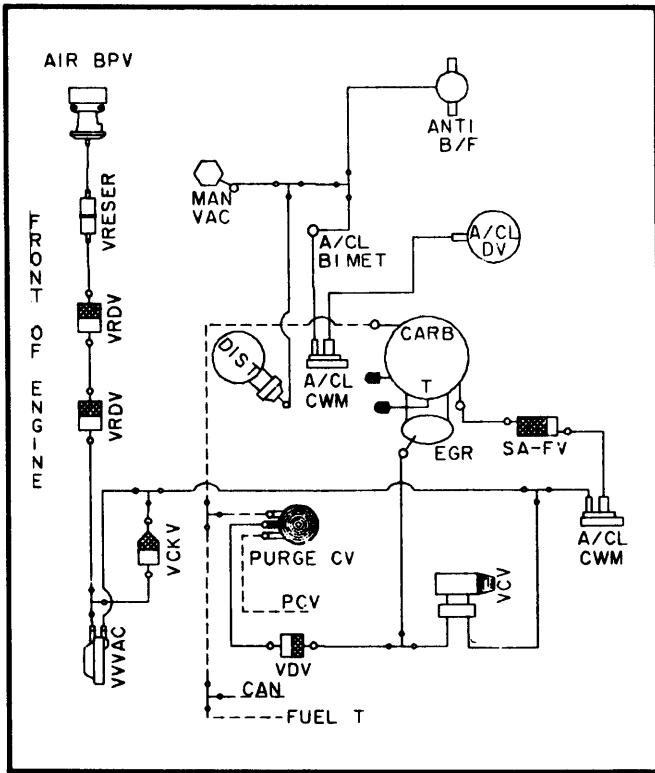


Fig. 17 Calibration 0-2C-R10; 2.3L; Federal (Pinto and Bobcat)

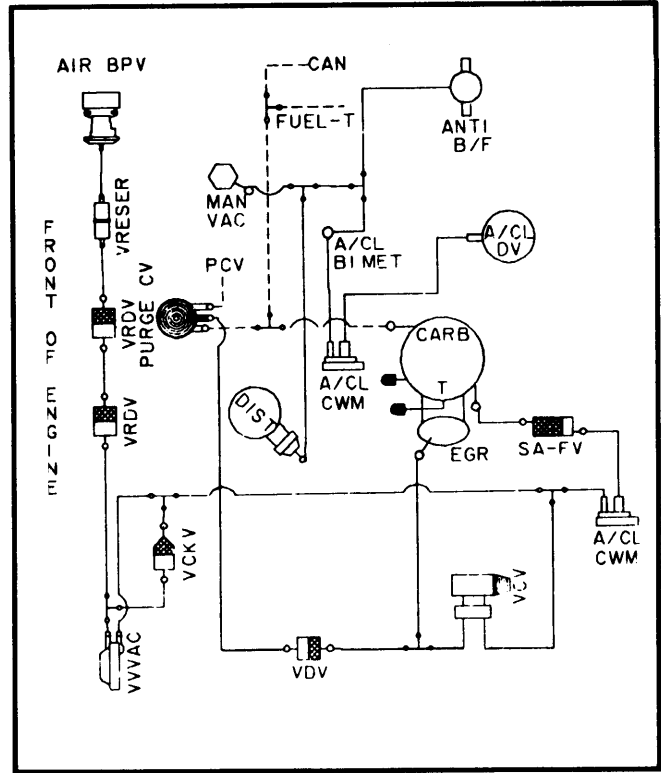


Fig. 18 Calibration 0-2C-R10; 2.3L; Federal (Except Pinto and Bobcat)

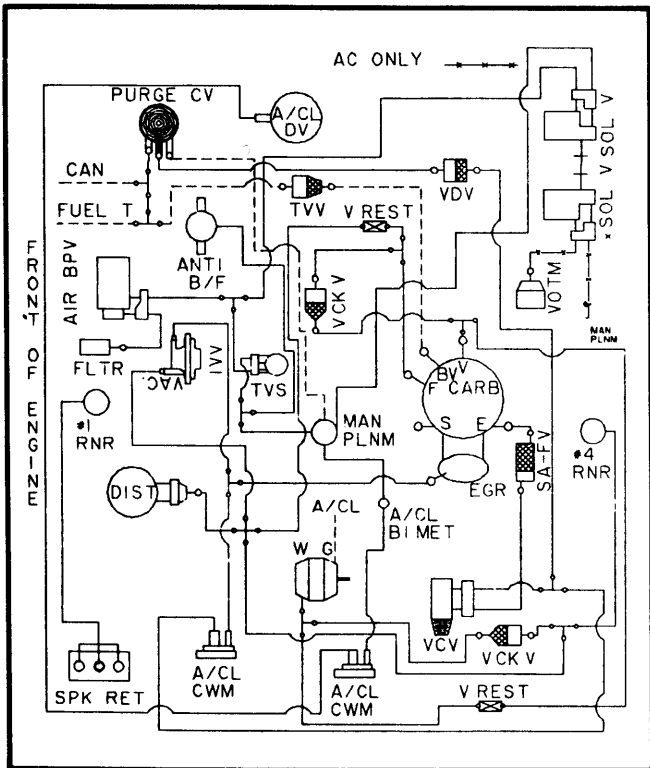


Fig. 19 Calibration 0-2E-R0; 2.3L; Federal

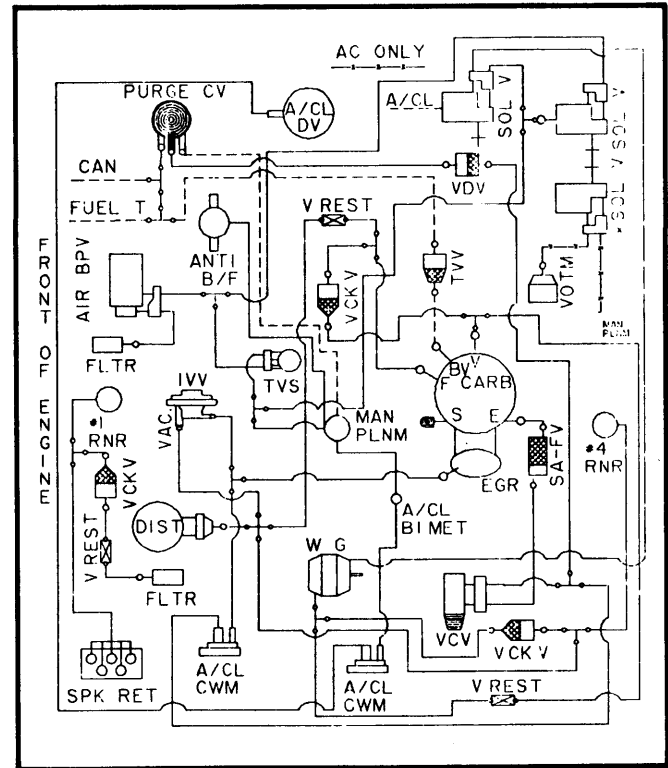


Fig. 20 Calibration 0-2E-R10; 2.3L; Calif.

FORD MOTOR CO. VACUUM DIAGRAMS (Cont.)

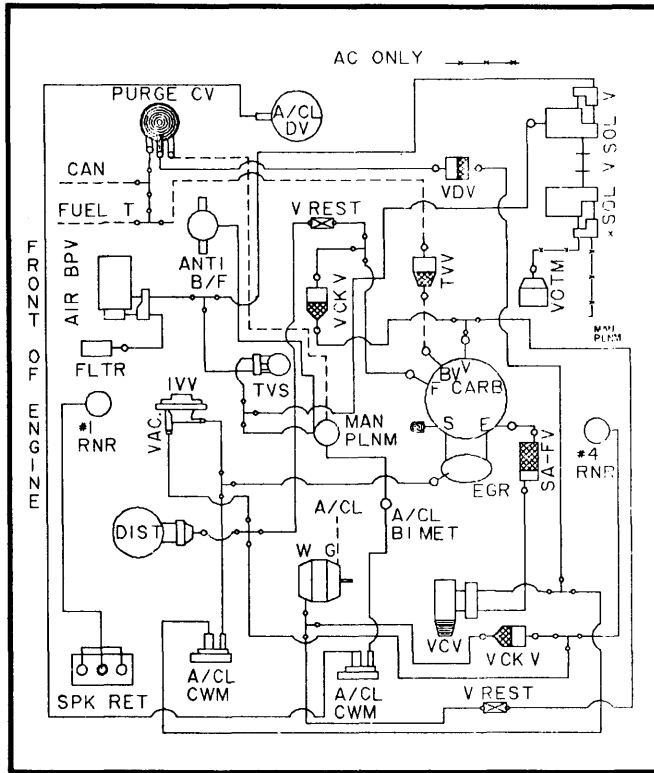


Fig. 21 Calibration 0-2S-R0; 2.3L; Calif.

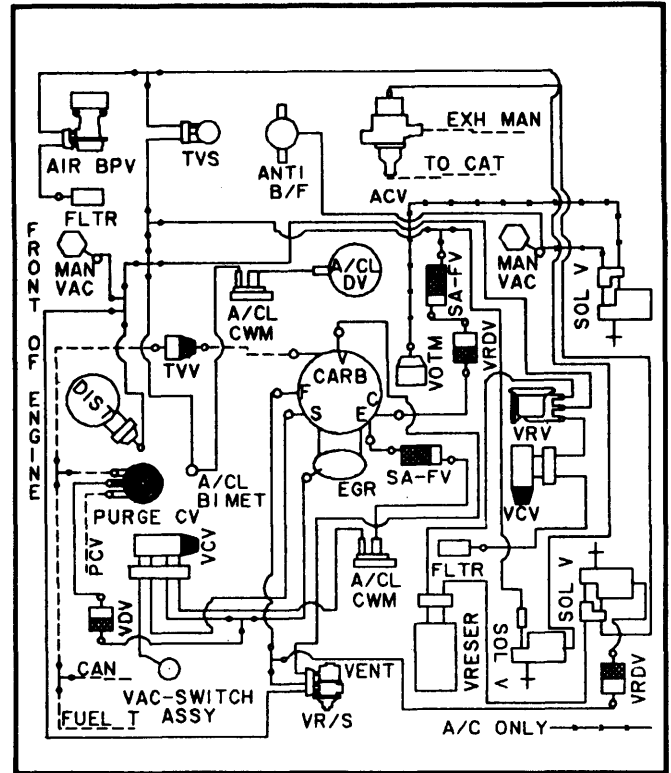


Fig. 22 Calibration 0-2T-R0, 0-2T-R10; 2.3L; Calif. (Pinto and Bobcat)

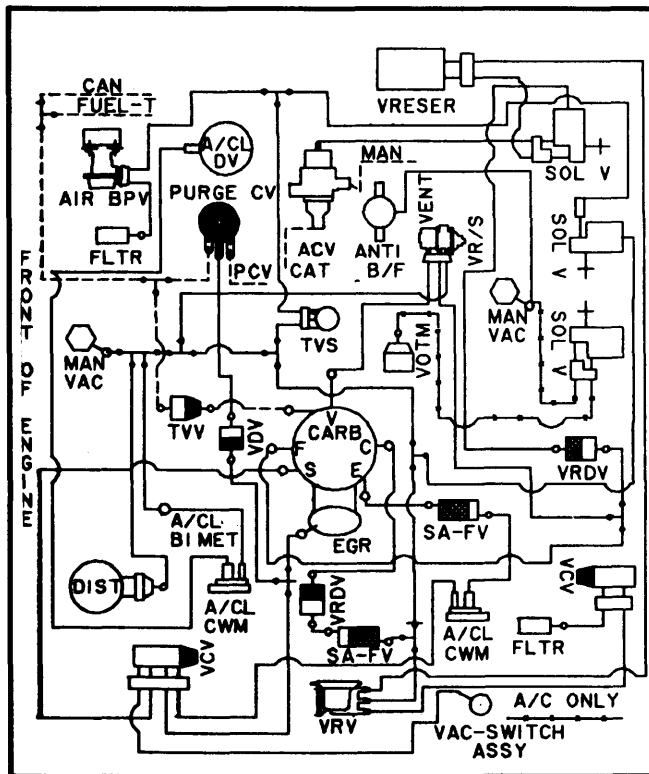


Fig. 23 Calibration 0-2T-R0, 0-2T-R10; 2.3L; Calif. (Except Pinto and Bobcat)

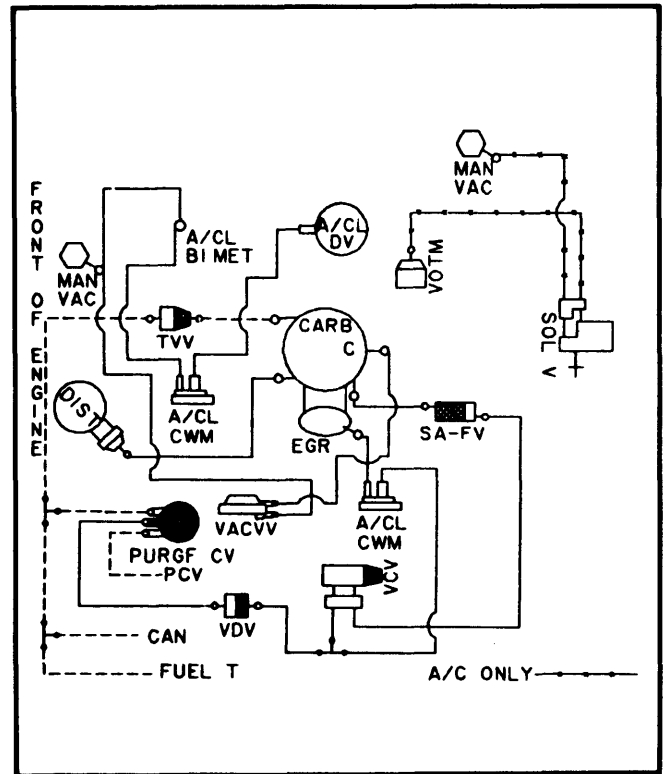


Fig. 24 Calibration 0-21A-R0, 0-21B-R0; 2.3L; Federal (Pinto and Bobcat)

1980 Exhaust Emission Systems

FORD MOTOR CO. VACUUM DIAGRAMS (Cont.)

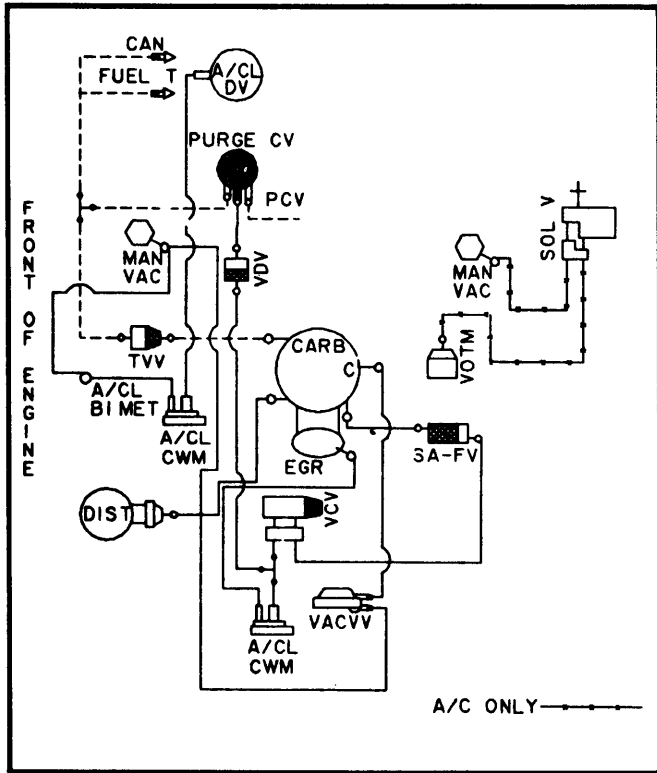


Fig. 25 Calibration 0-21A-R0; 2.3L; Federal (Except Pinto and Bobcat)

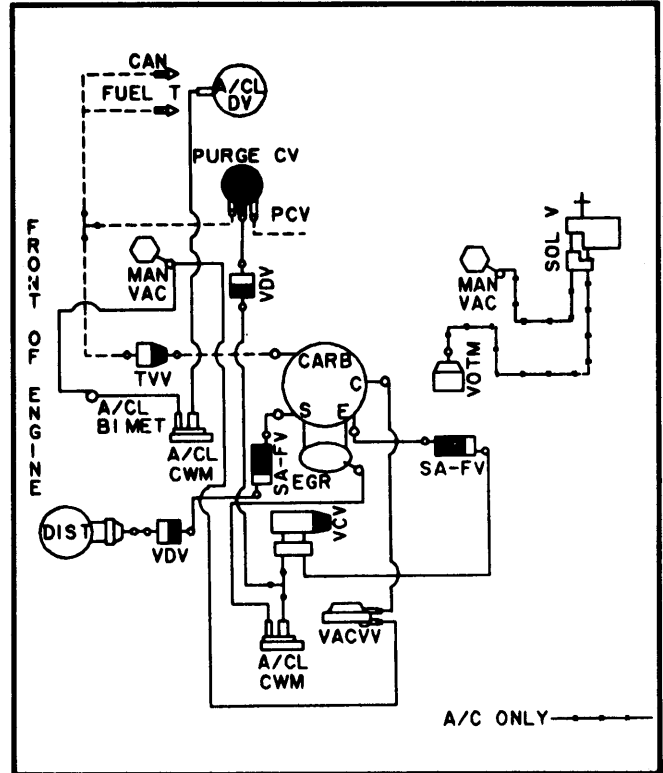


Fig. 26 Calibration 9-21B-R0; 2.3L; Federal (Fairmont and Zephyr)

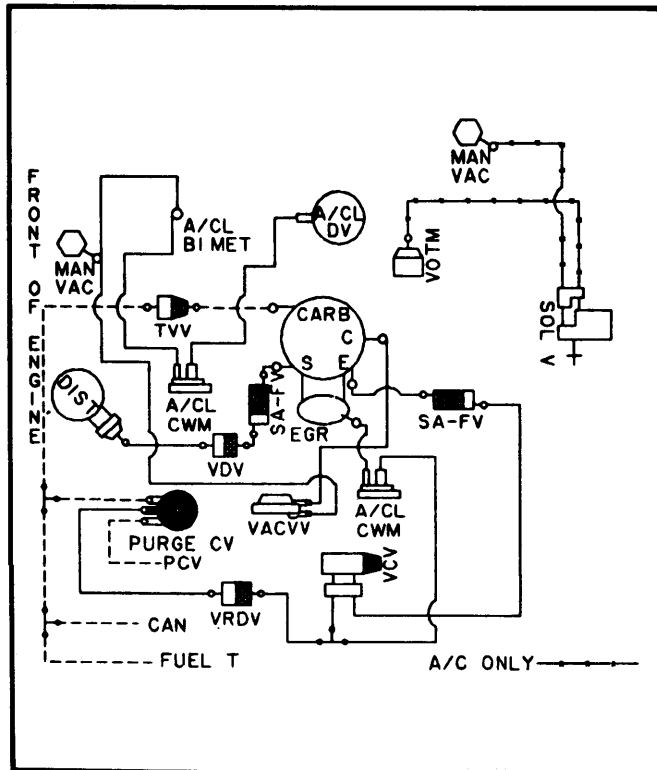


Fig. 27 Calibration 0-21B-R0; 2.3L; Federal (Pinto and Bobcat)

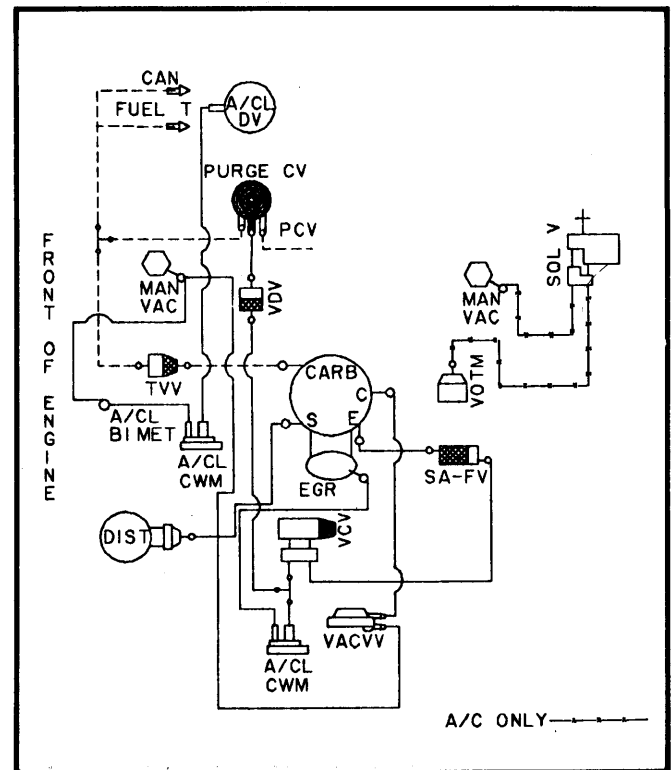


Fig. 28 Calibration 0-21B-R10; 2.3L; Federal

FORD MOTOR CO. VACUUM DIAGRAMS (Cont.)

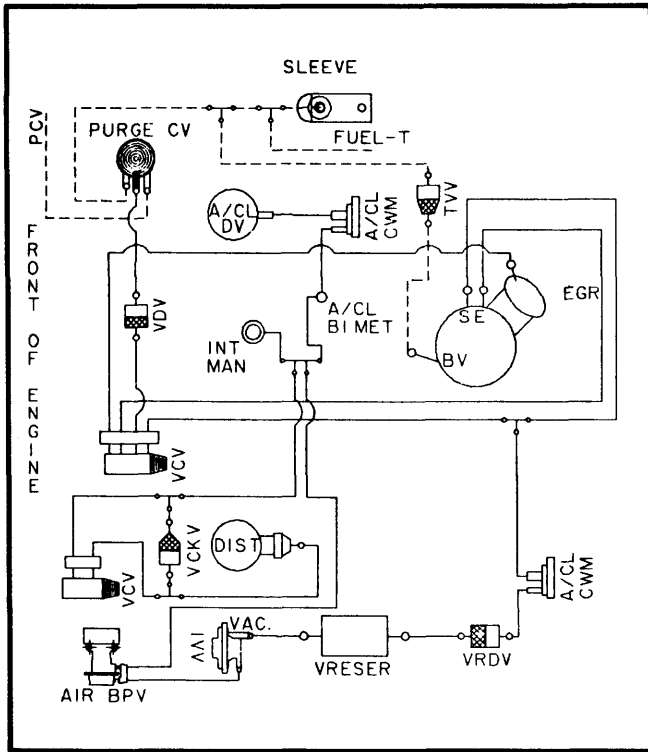


Fig. 29 Calibration 0-6A-R0; 200"; Federal

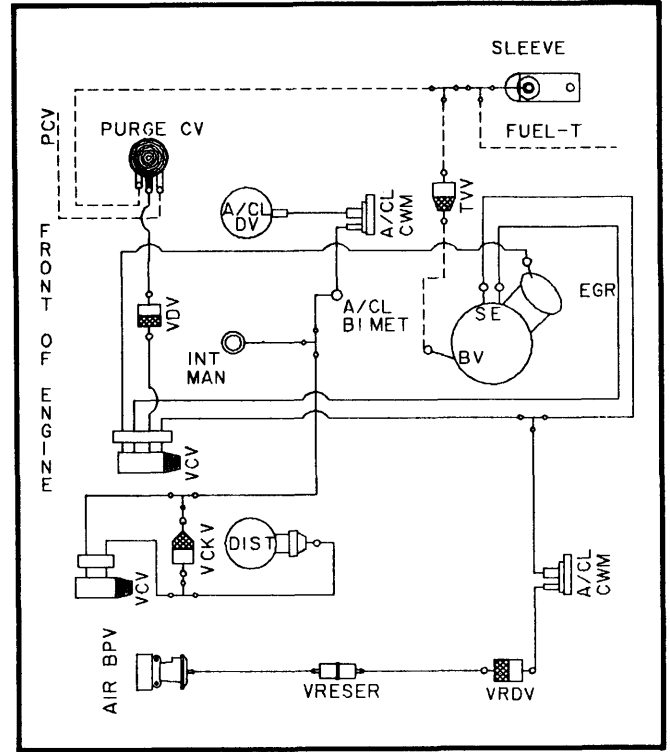


Fig. 30 Calibration 0-6A-R1; 200"; Federal

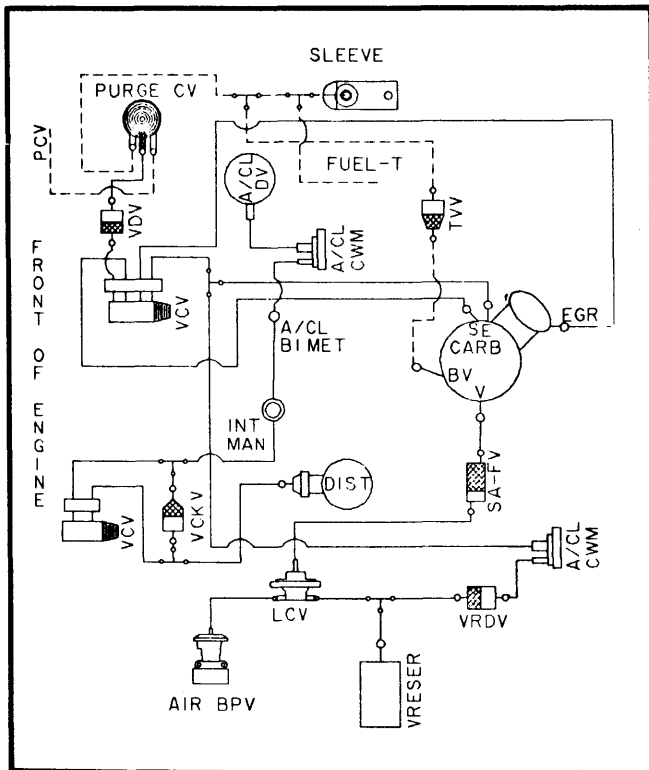


Fig. 31 Calibration 0-7A-R0; 200"; Federal

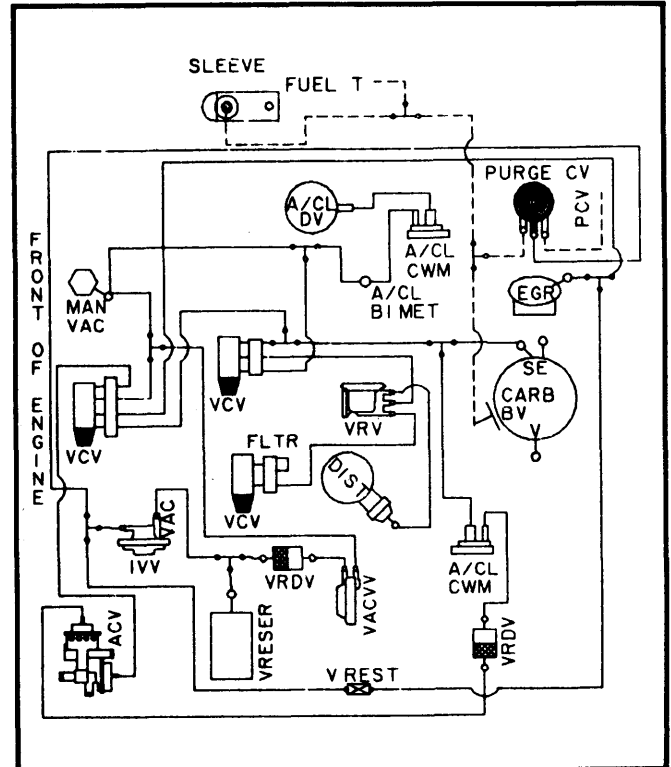


Fig. 32 Calibration 0-7P-R10; 200"; Calif. (W/A/C)

1980 Exhaust Emission Systems

FORD MOTOR CO. VACUUM DIAGRAMS (Cont.)

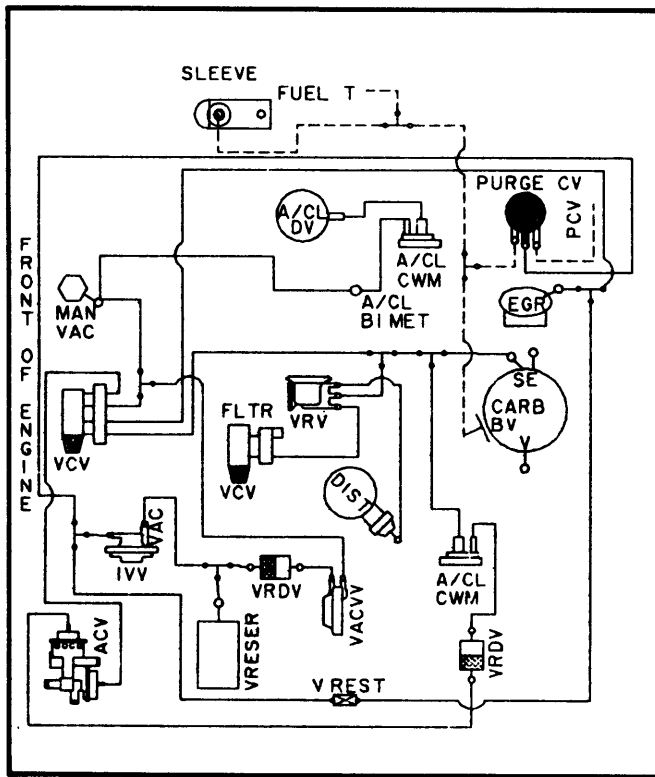


Fig. 33 Calibration 0-7P-R10; 200"; Calif.
(W/out A/C)

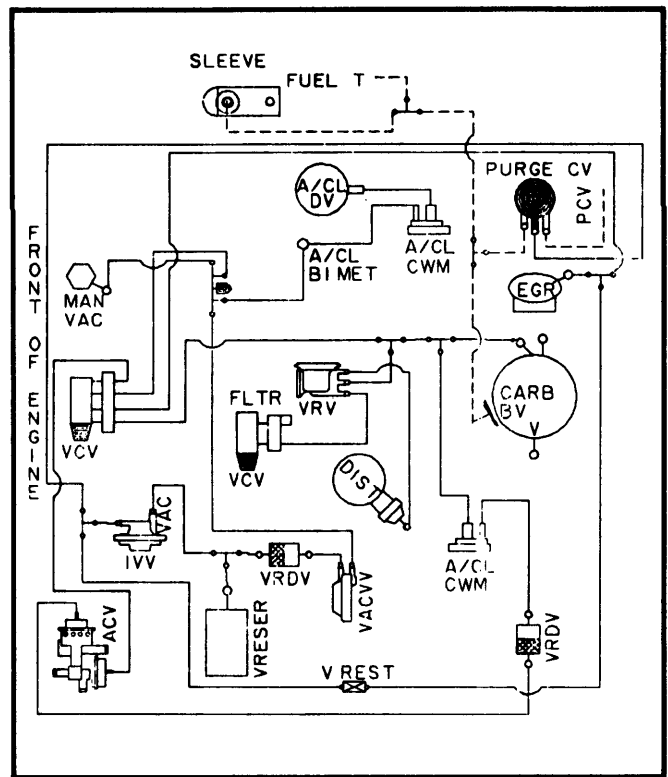


Fig. 34 Calibration 0-7P-R11; 200"; Calif.

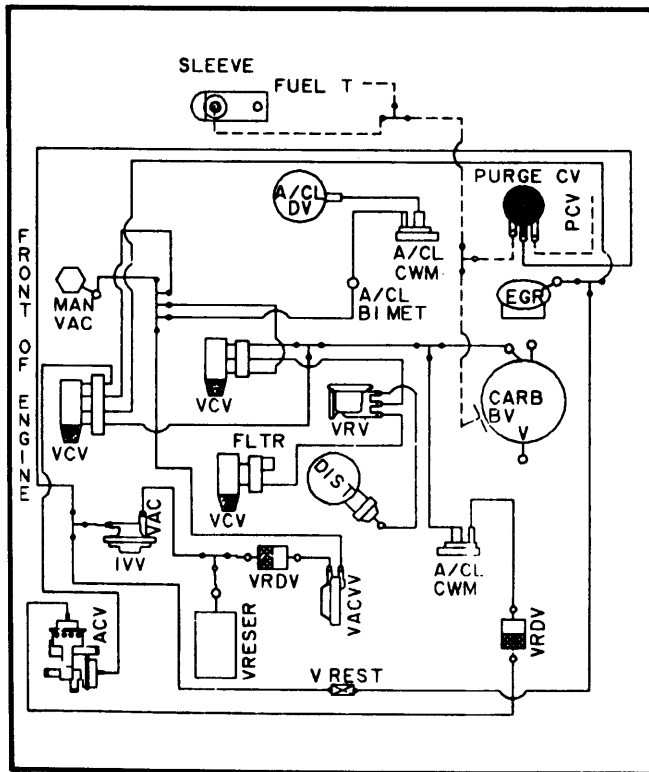


Fig. 35 Calibration 0-7P-R11; 200"; Calif.
(Alternate)

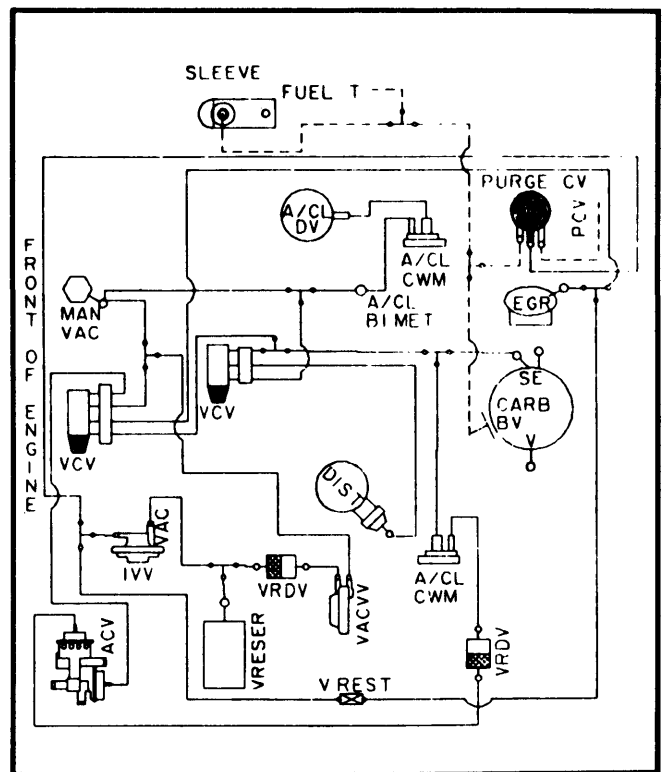


Fig. 36 Calibration 0-7Q-R1; 200"; Calif.
(W/A/C)

FORD MOTOR CO. VACUUM DIAGRAMS (Cont.)

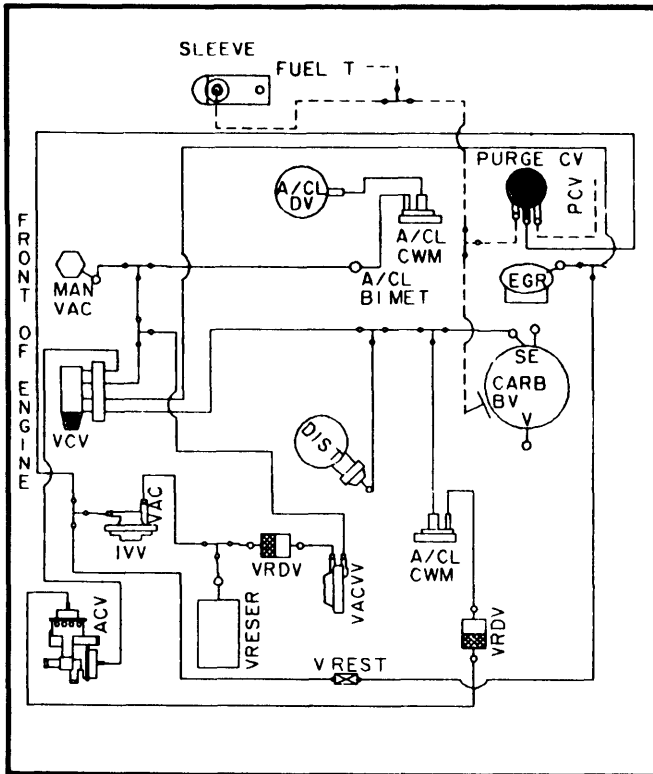


Fig. 37 Calibration 0-7Q-R1; 200"; Calif. (W/out A/C)

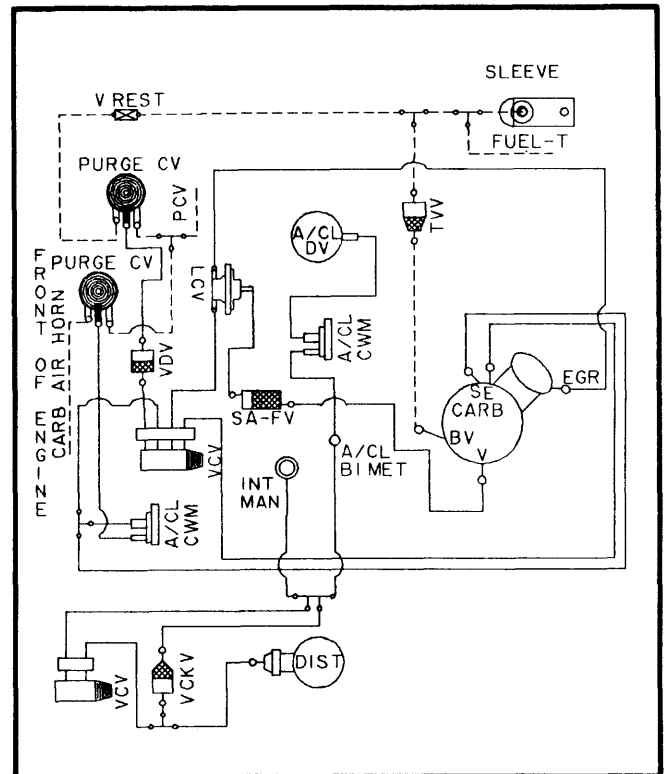


Fig. 38 Calibration 0-27A-R3, 0-27A-R10; 200"; Federal

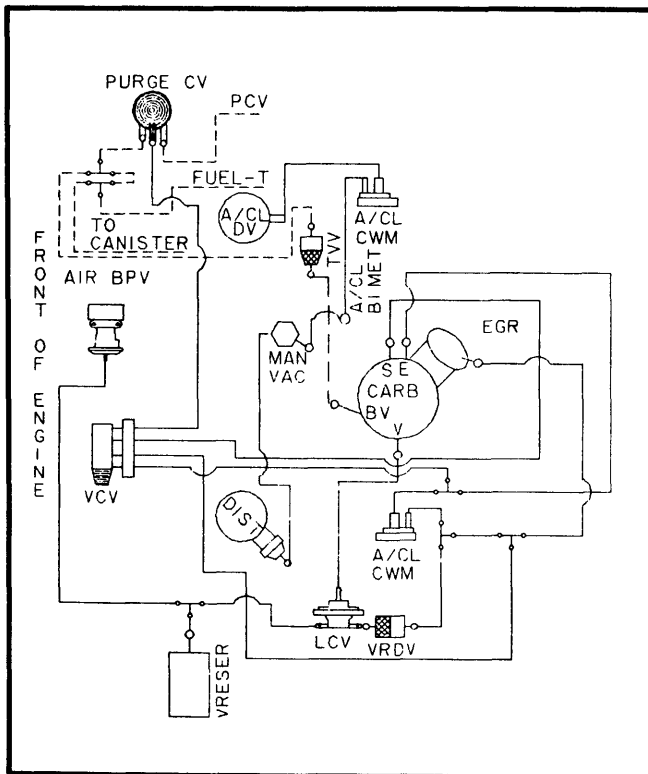


Fig. 39 Calibration 0-8A-R0; 250"; Federal

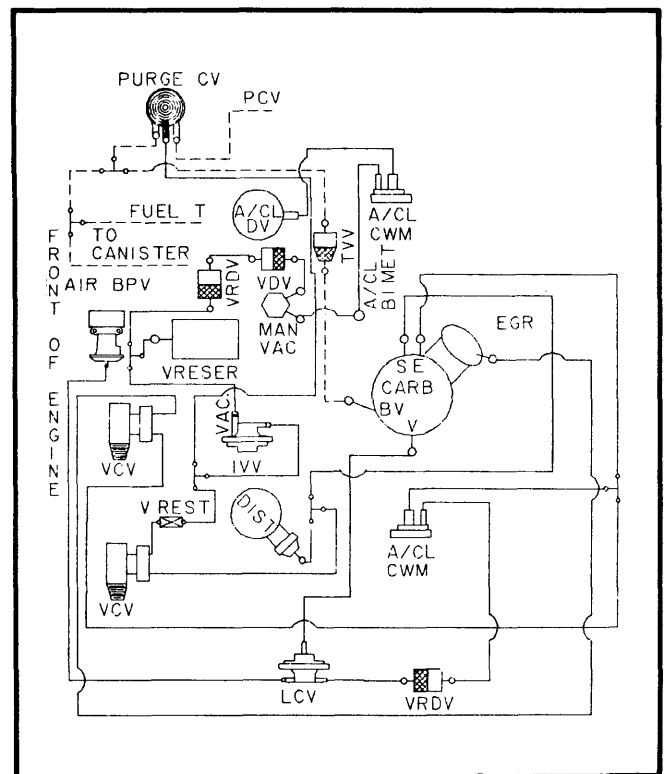


Fig. 40 Calibration 0-9A-R0; 250"; Federal

1980 Exhaust Emission Systems

FORD MOTOR CO. VACUUM DIAGRAMS (Cont.)

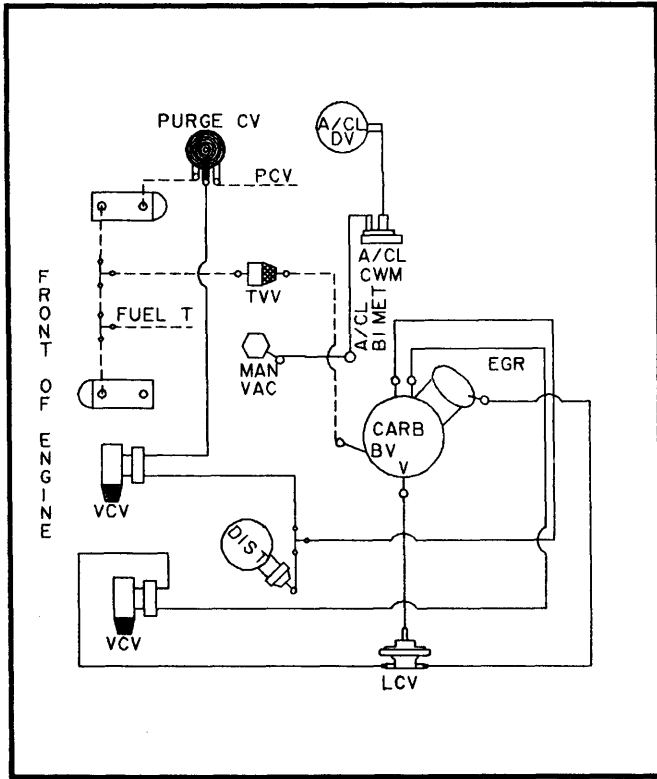


Fig. 41 Calibration 0-29A-R0; 250"; Federal

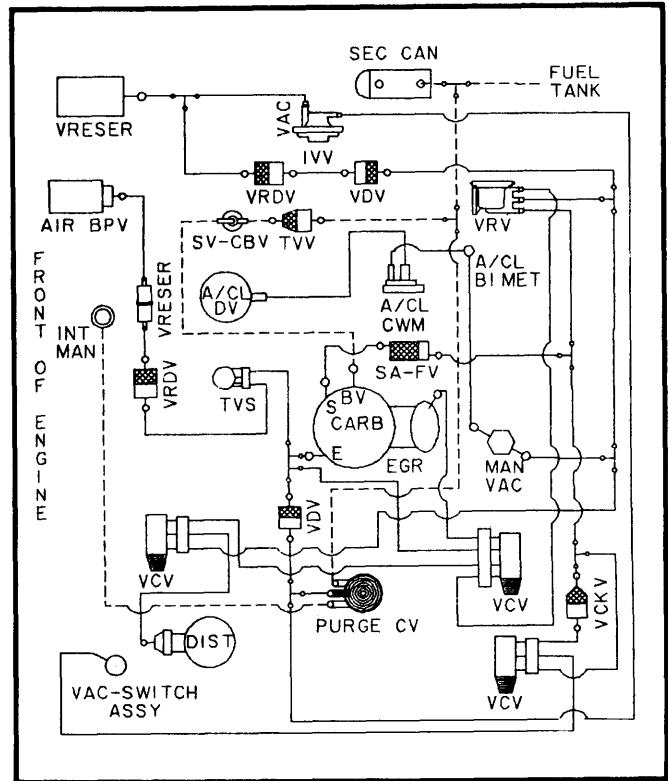


Fig. 42 Calibration 0-16A-R0; 255"; Federal

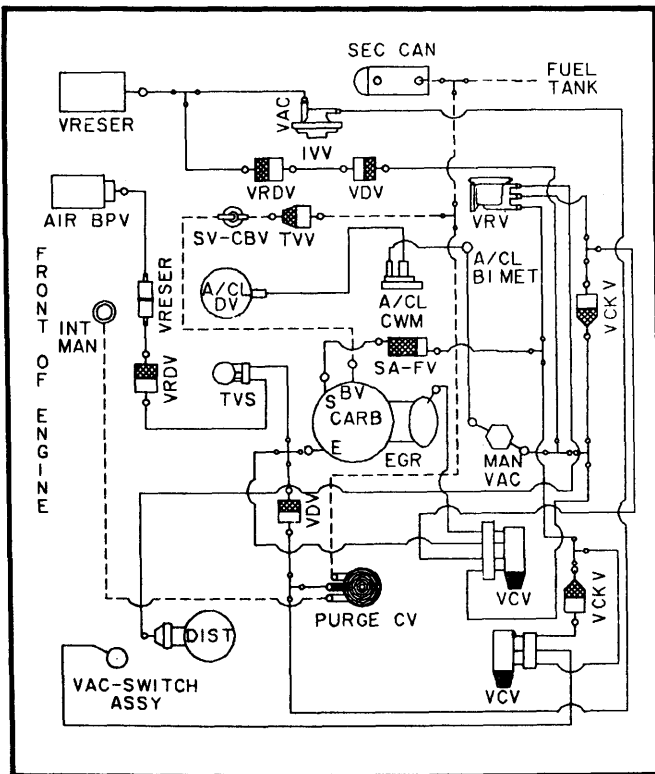


Fig. 43 Calibration 0-16A-R12; 255"; Federal

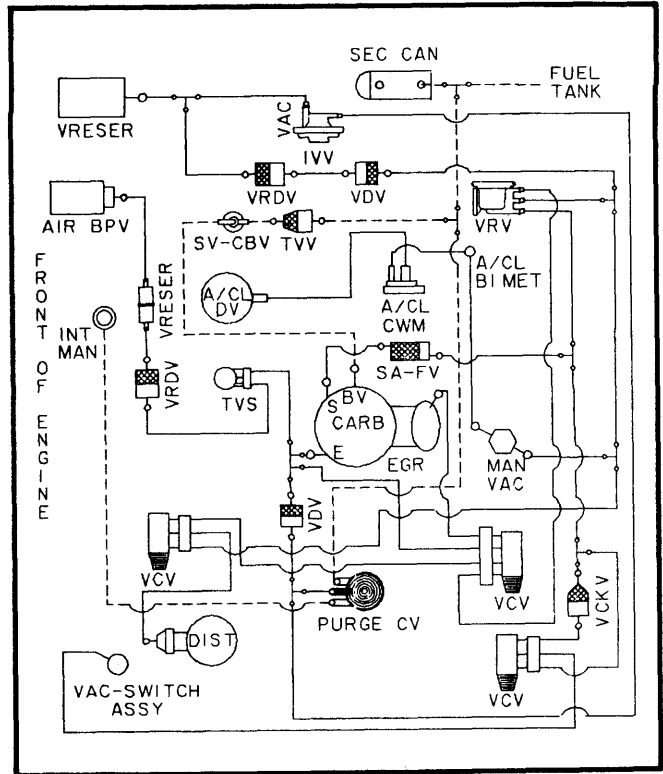


Fig. 44 Calibration 0-16C-R0; 255"; Federal

FORD MOTOR CO. VACUUM DIAGRAMS (Cont.)

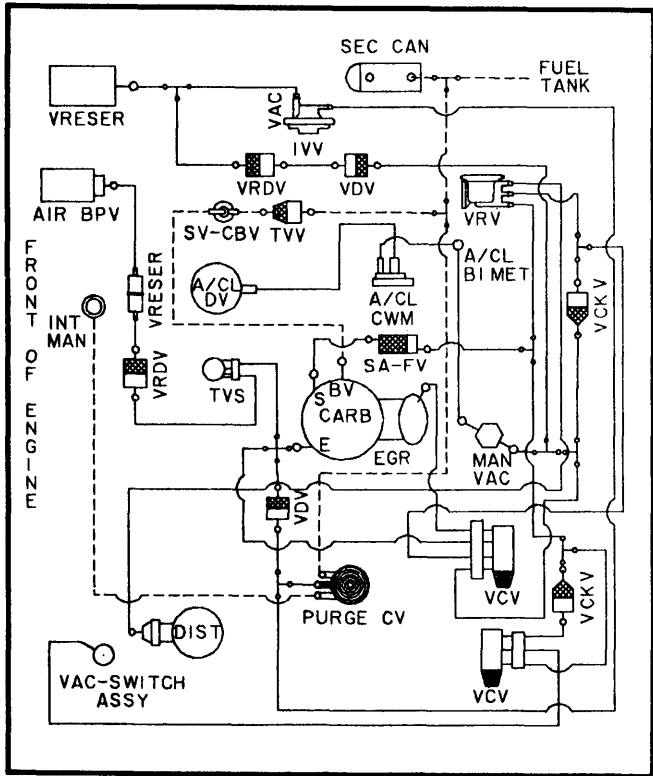


Fig. 45 Calibration 0-16C-R13, 0-16C-R15, 0-16C-R18, 0-16C-R19; 255"; All

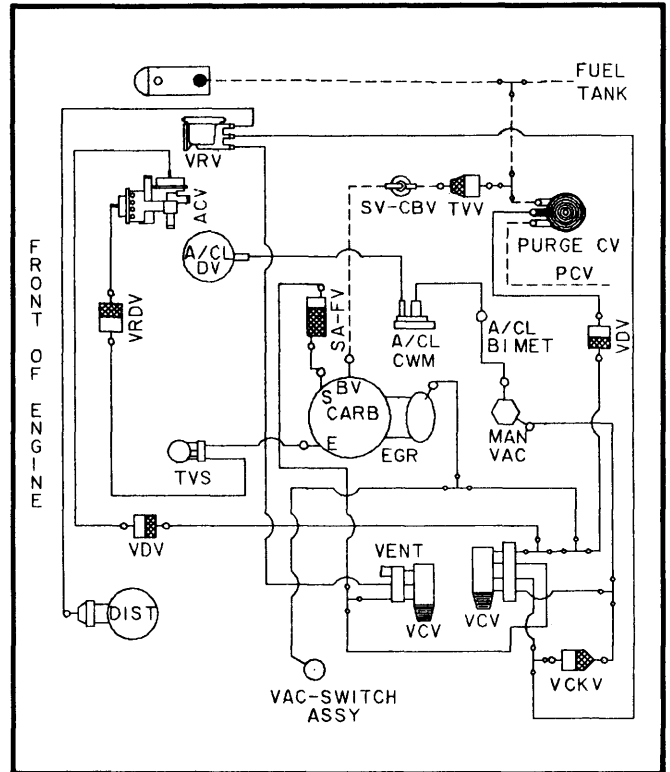


Fig. 46 Calibration 0-16S-R14, 0-16S-R16; 255"; All

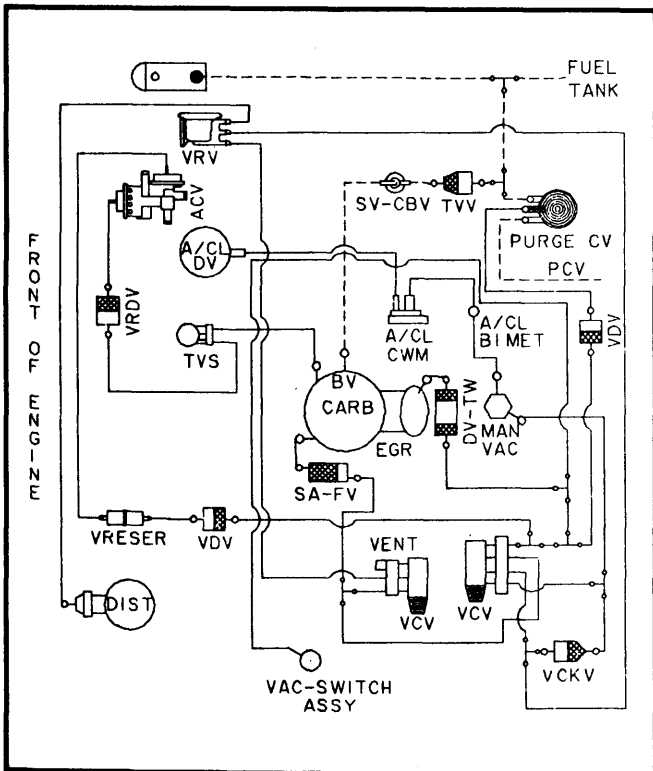


Fig. 47 Calibration 0-16T-R13, 0-16T-R15, 0-16U-R13; 255"; Calif.

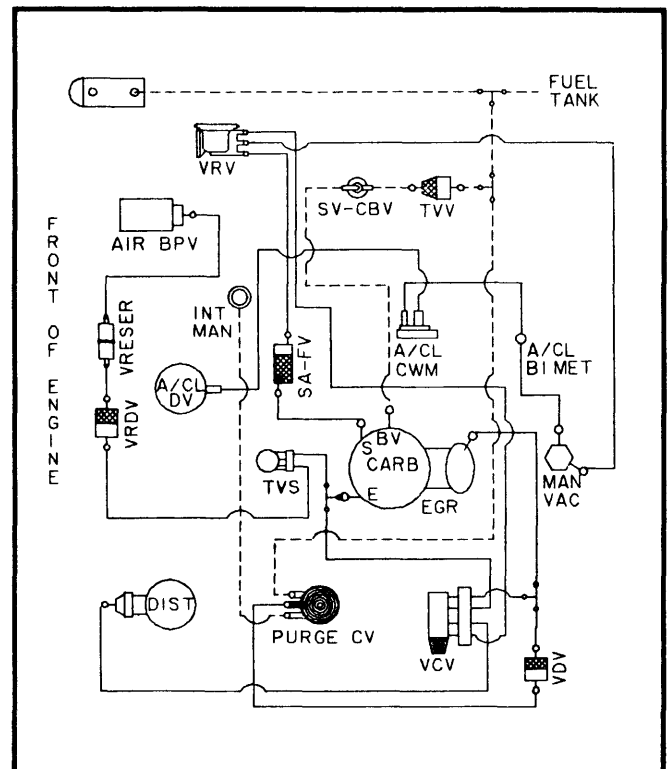


Fig. 48 Calibration 0-16W-R0, 0-16X-R0; 255"; All

FORD MOTOR CO. VACUUM DIAGRAMS (Cont.)

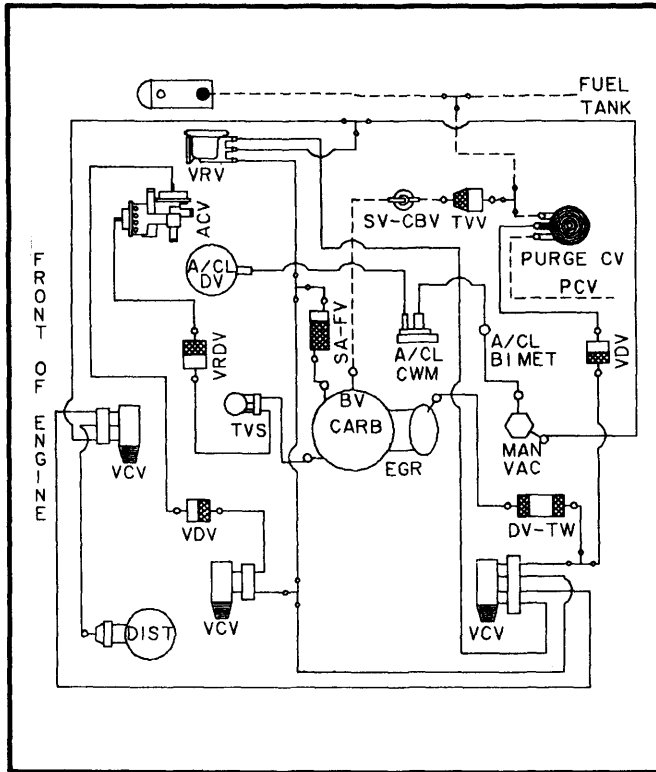


Fig. 53 Calibration 0-11N-R0, 0-11N-R10, 0-11N-R11, 0-11N-R13; 302"; All

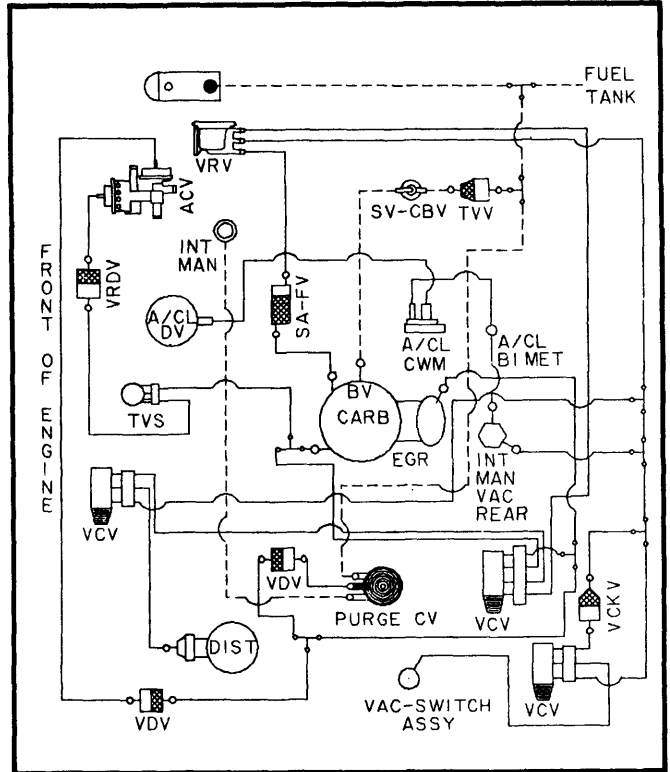


Fig. 54 Calibration 0-11P-R12; 302"; Calif.

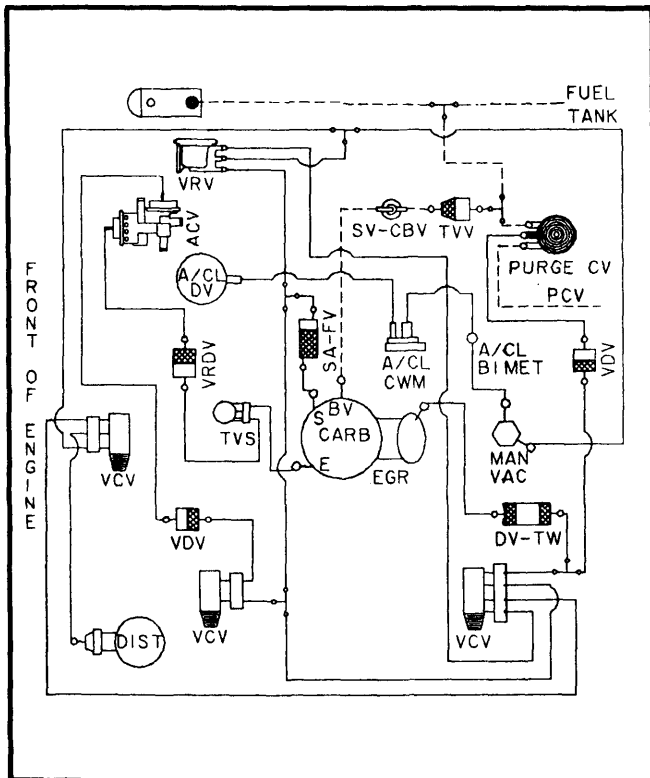


Fig. 55 Calibration 0-11R-R0; 302"; Calif.

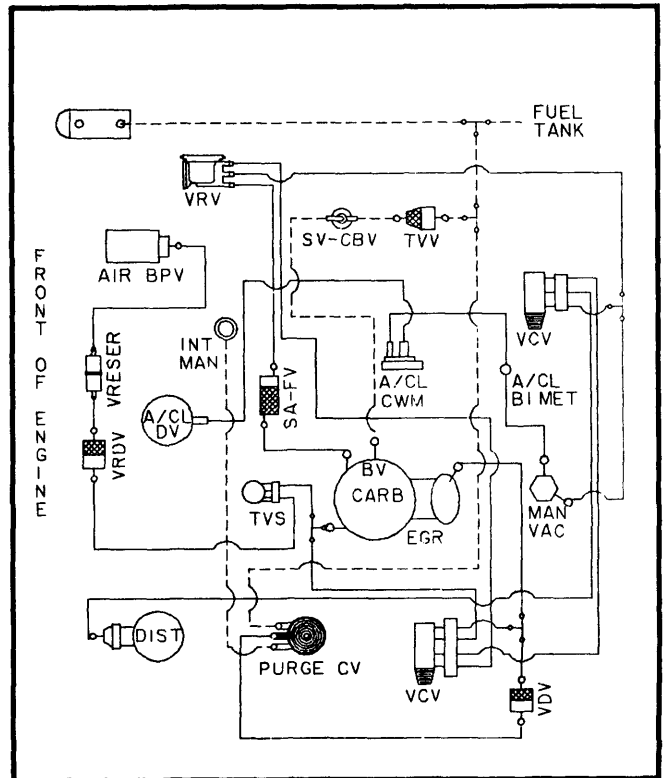


Fig. 56 Calibration 0-11W-R0, 0-11W-R10; 302"; All

1980 Exhaust Emission Systems

FORD MOTOR CO. VACUUM DIAGRAMS (Cont.)

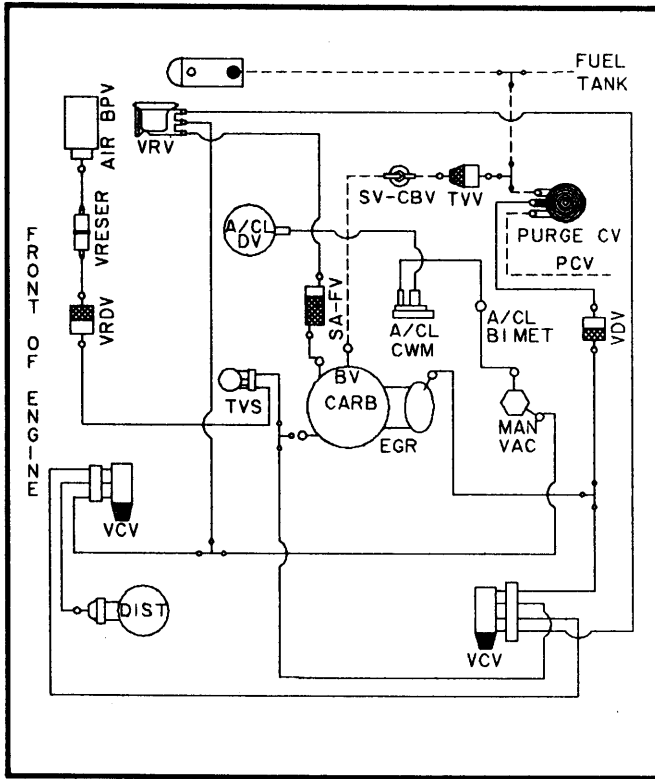


Fig. 57 Calibration 0-11X-R0; 302"; All

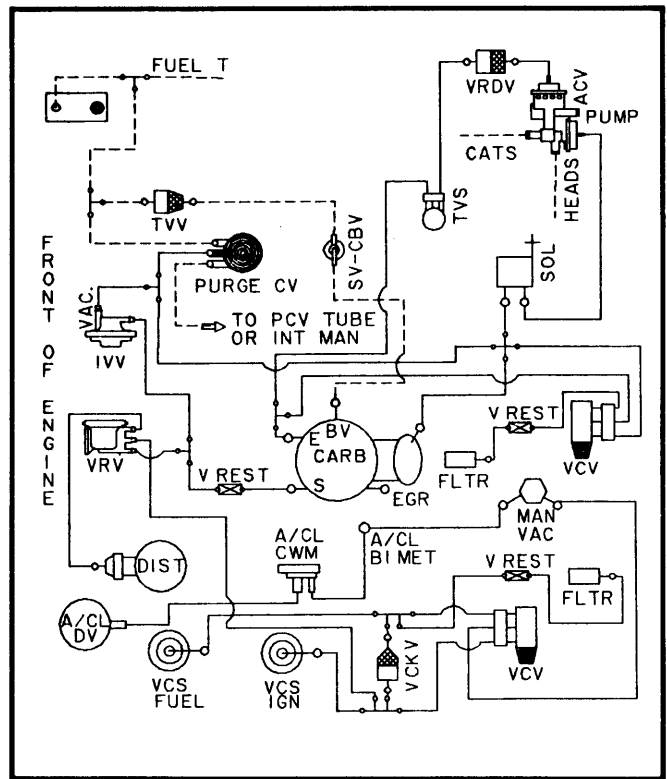


Fig. 58 Calibration 0-13A-R0; 302"; Federal

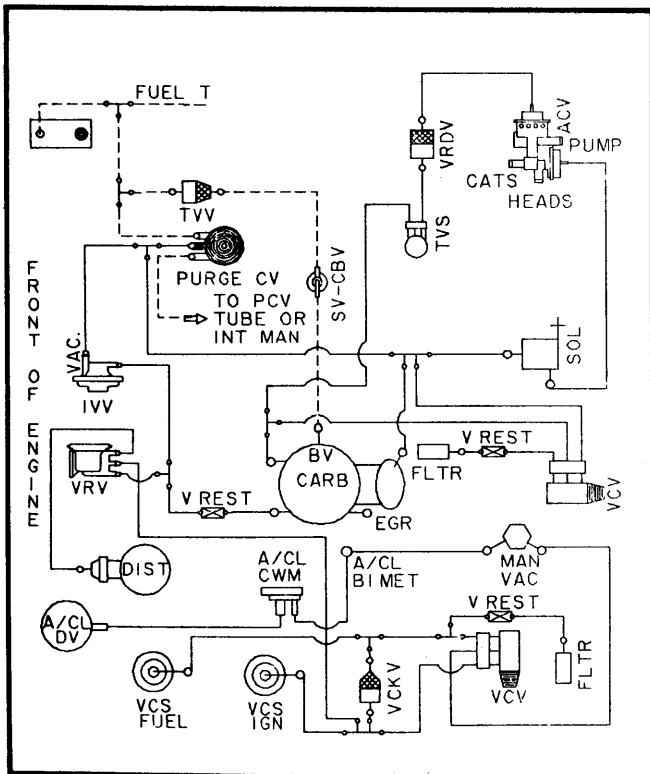


Fig. 59 Calibration 0-13A-R10; 302"; Federal

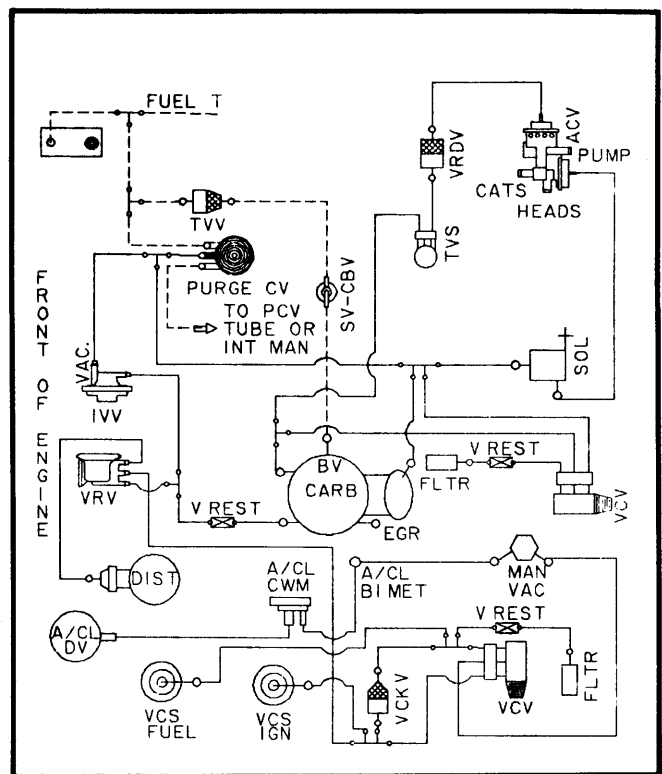


Fig. 60 Calibration 0-13A-R11; 302"; Federal

FORD MOTOR CO. VACUUM DIAGRAMS (Cont.)

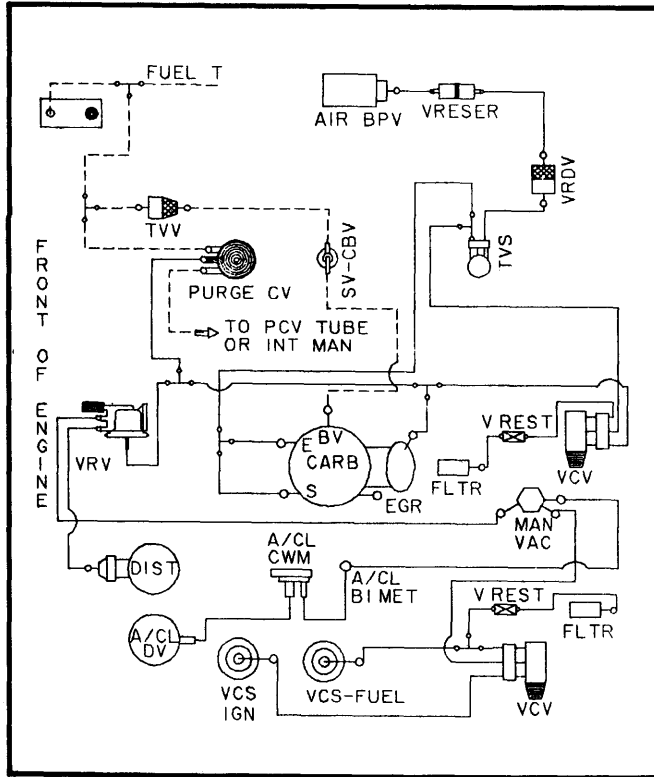


Fig. 61 Calibration 0-13D-R0; 302"; Federal

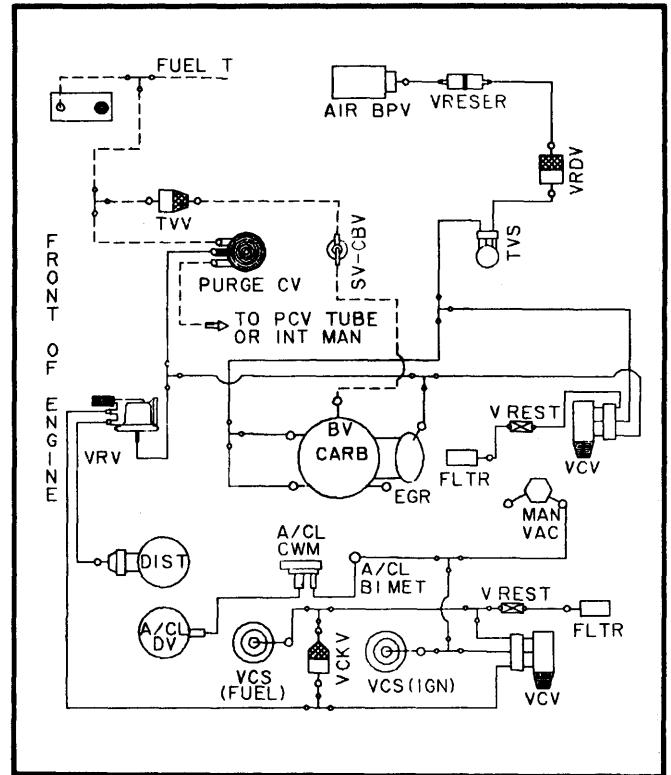


Fig. 62 Calibration 0-13D-R10; 302"; Federal

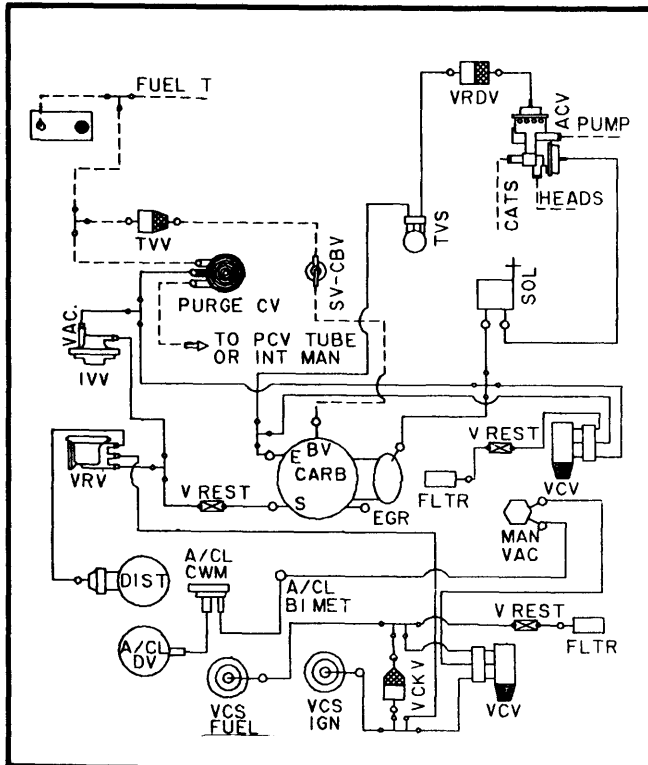


Fig. 63 Calibration 0-13F-R0; 302"; Federal

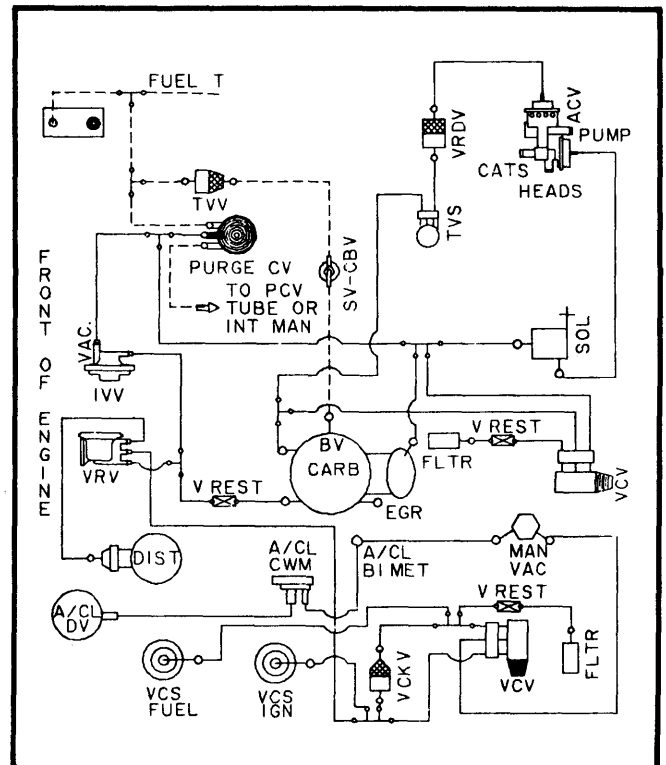


Fig. 64 Calibration 0-13F-R11; 302"; Federal

1980 Exhaust Emission Systems

FORD MOTOR CO. VACUUM DIAGRAMS (Cont.)

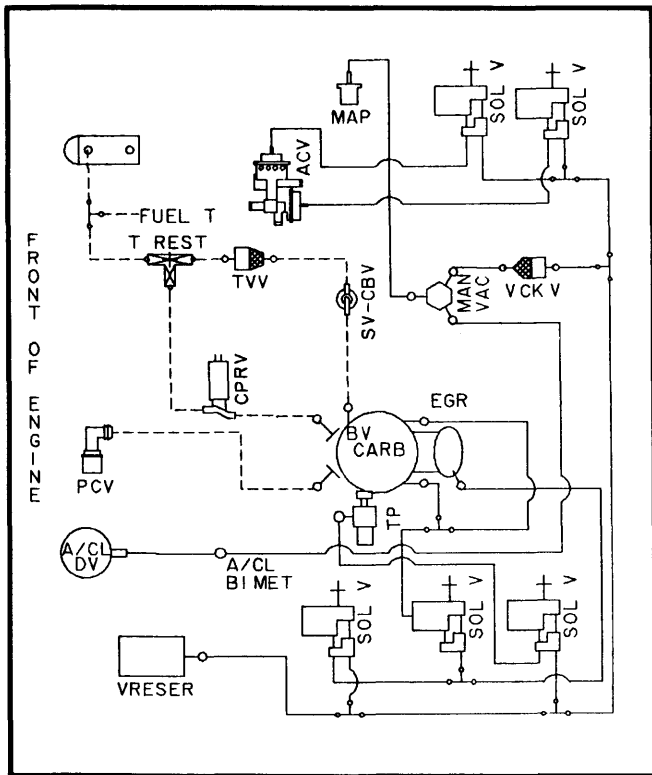


Fig. 65 Calibration 0-13R-R0, 0-13R-R10, 0-13T-R0, 0-13T-R10; 302"; Calif.

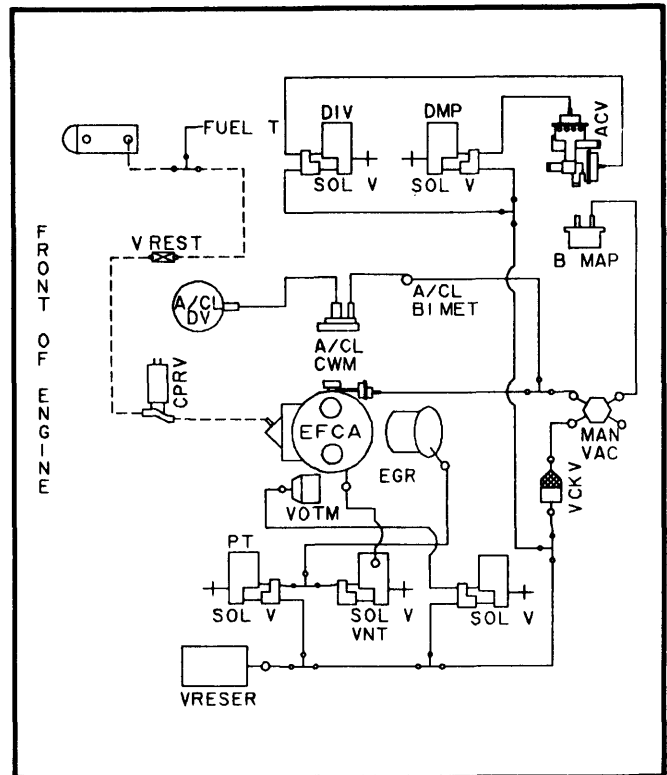


Fig. 66 Calibration 0-14A-R0, 0-14A-R13, 0-14N-R0, 0-14N-R10; 302"; All

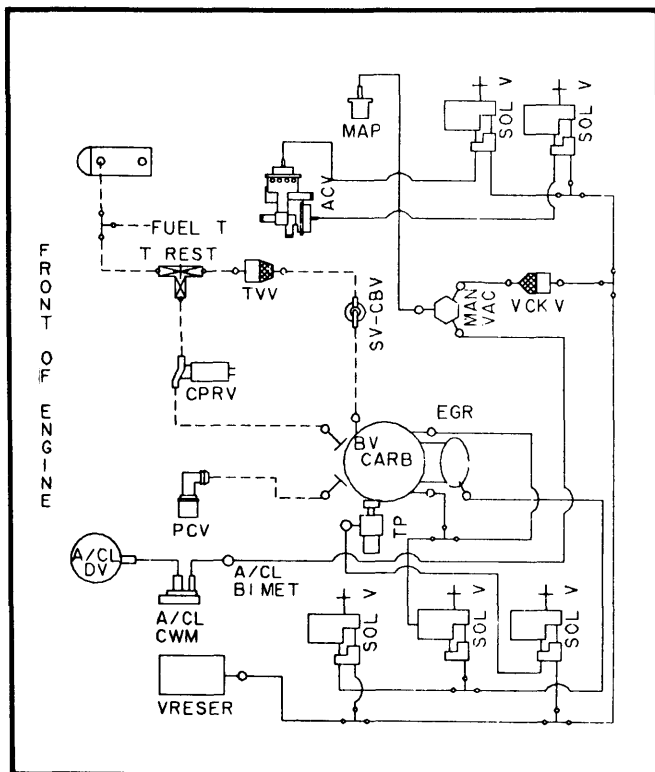


Fig. 67 Calibration 0-12A-R0, 0-12A-R5, 0-12B-R0; 351"; Federal

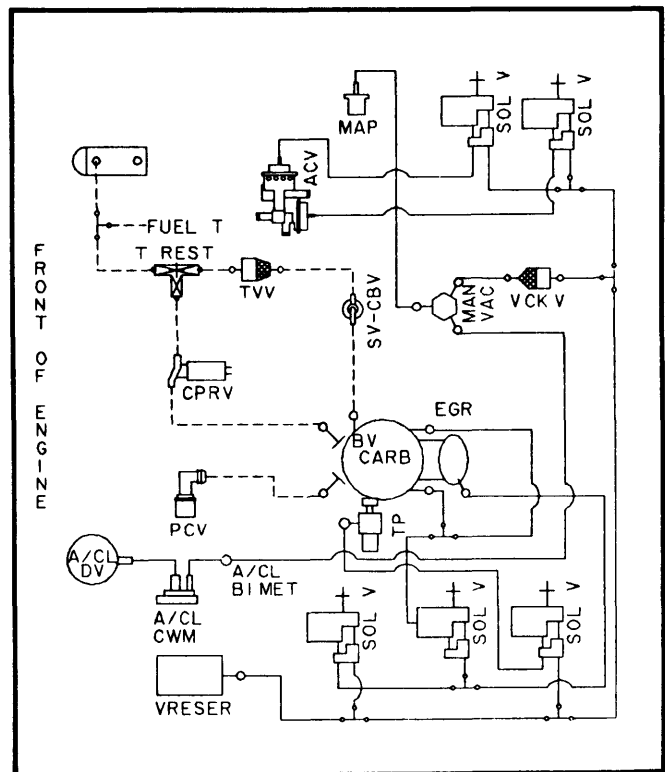


Fig. 68 Calibration 0-12C-R0, 0-12C-R5; 351"; Federal

1980 Exhaust Emission Systems

FORD MOTOR CO. VACUUM DIAGRAMS (Cont.)

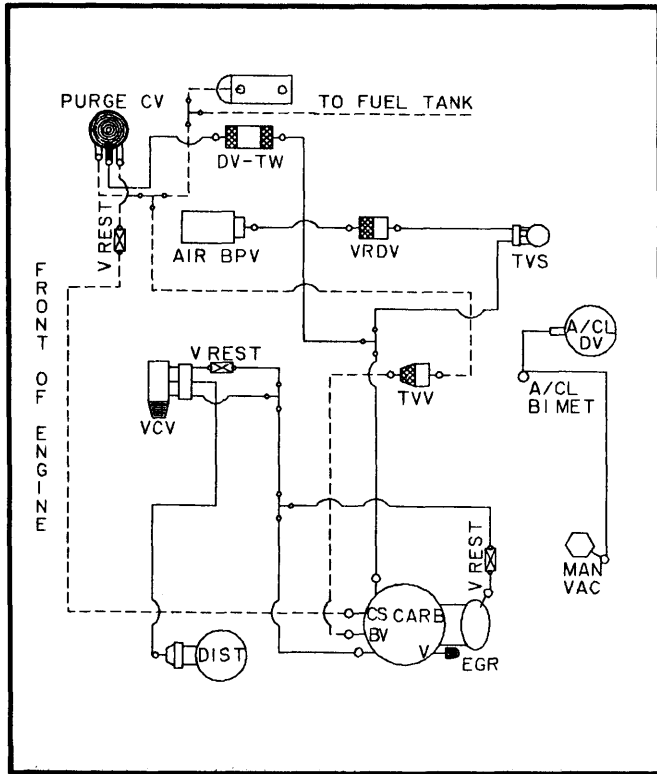


Fig. 73 Calibration 0-12J-R10; 351"; All

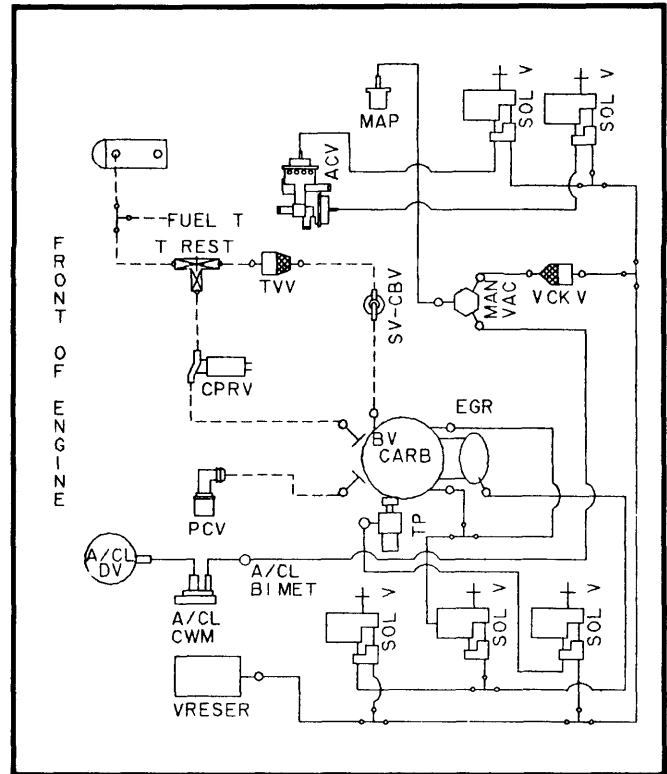


Fig. 74 Calibration 0-12N-R0; 351"; All

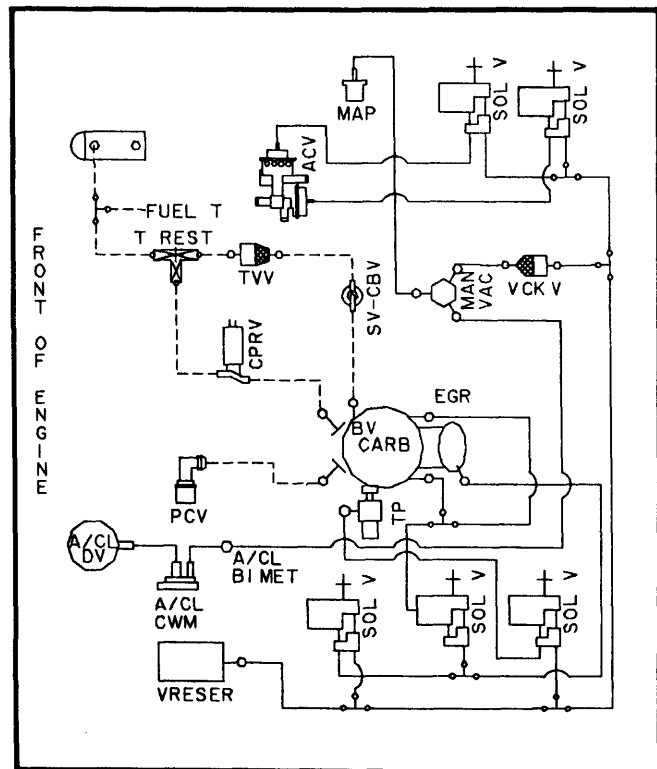


Fig. 75 Calibration 0-12P-R0; 351"; All

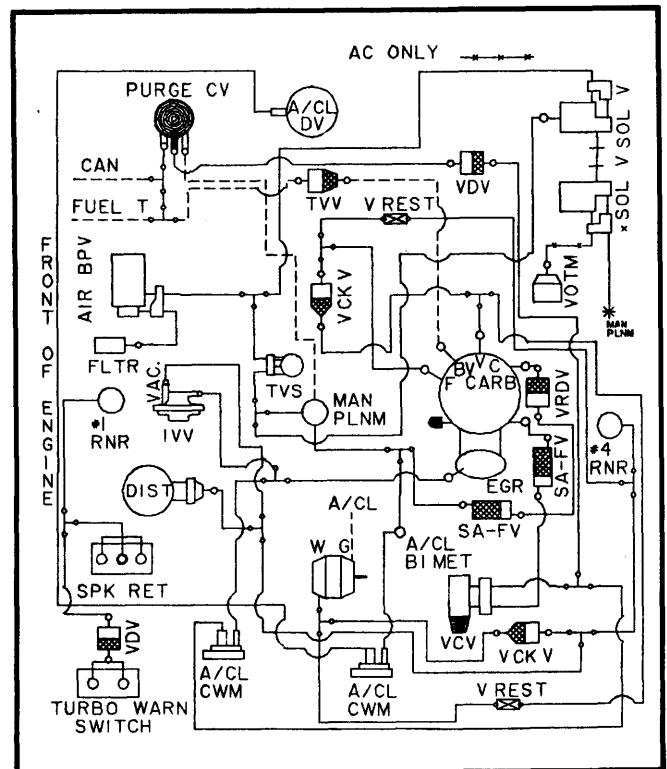


Fig. 76 Calibration 0-1H-R19; 2.3L; Federal

