

# 1975-79 EXHAUST EMISSION SYSTEMS

## 1977 General Motors Vacuum Diagrams

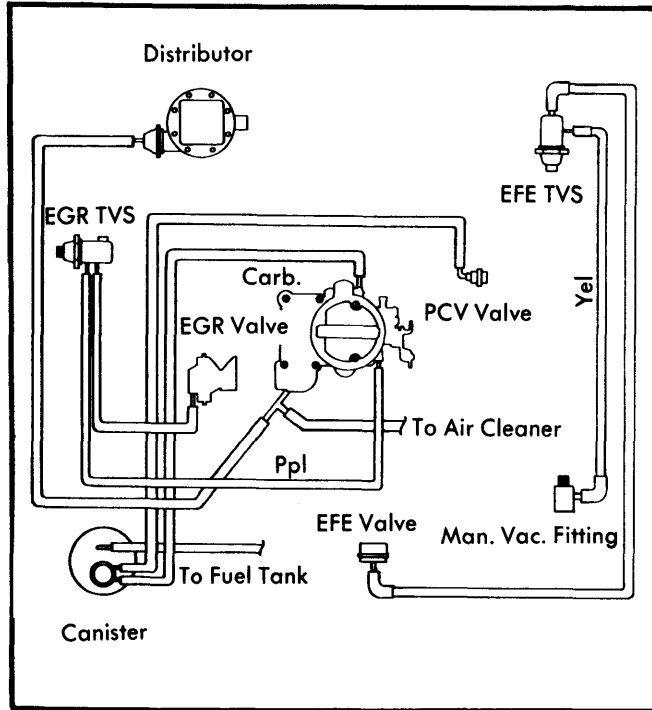


Fig. 1 Vacuum Hose Schematic for 250" Light Duty Emissions

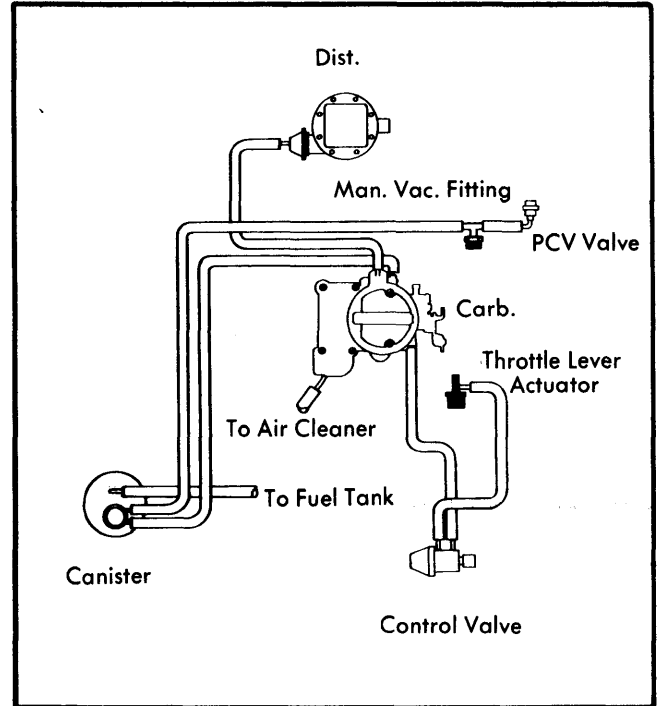


Fig. 3 Vacuum Hose Schematic for 292" California Heavy Duty Emissions

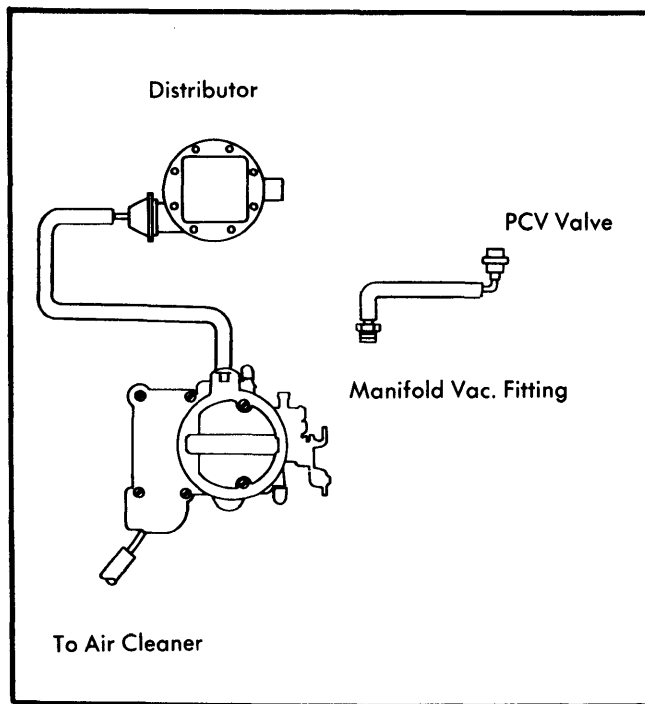


Fig. 2 Vacuum Hose Schematic for 250" & 292" Federal Heavy Duty Emissions

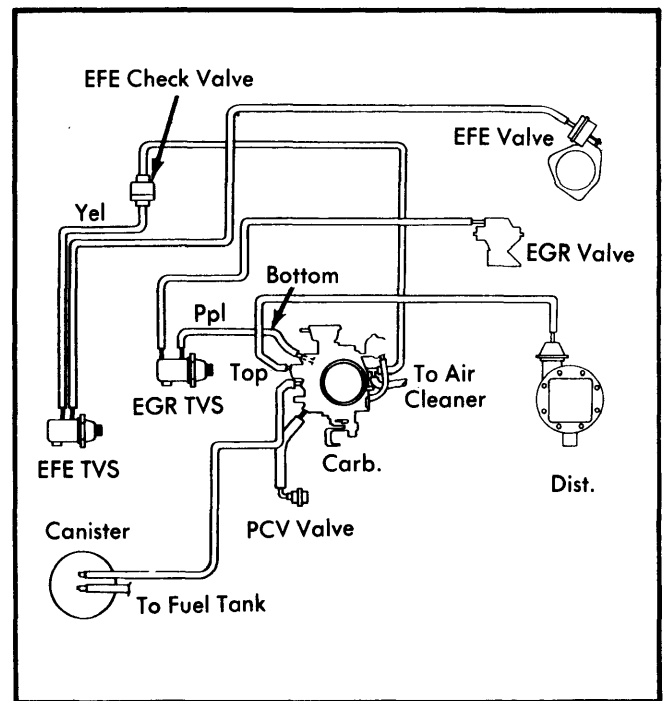


Fig. 4 Vacuum Hose Schematic for 305" Federal Light Duty Emissions

# 1975-79 EXHAUST EMISSION SYSTEMS

## 1977 General Motors Vacuum Diagrams (Cont.)

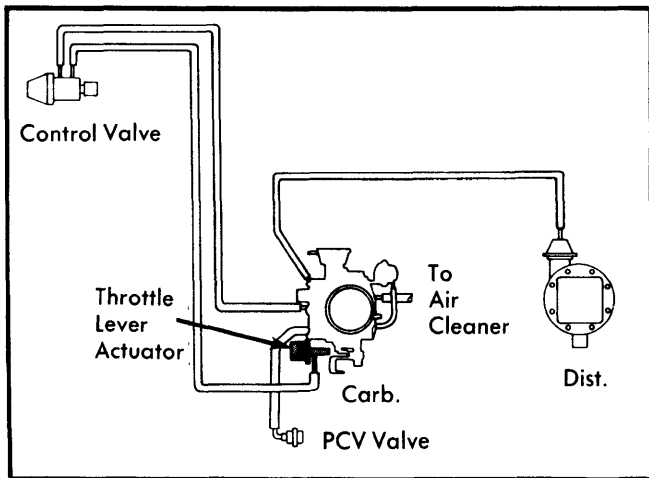


Fig. 5 Vacuum Hose Schematic for 305 Heavy Duty Emissions

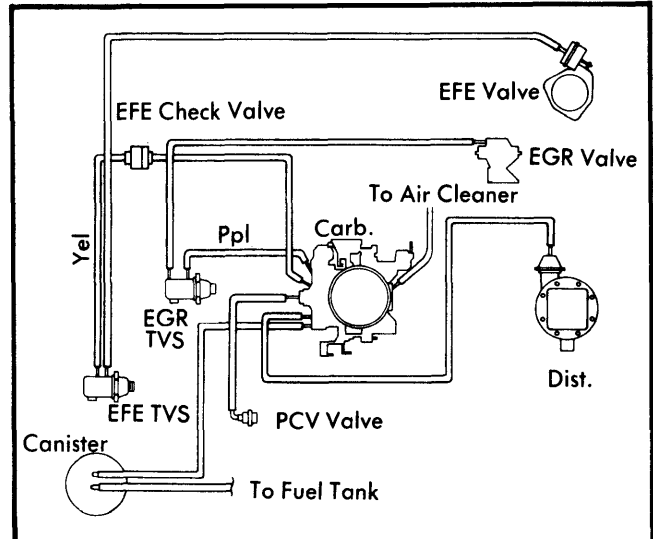


Fig. 8 Vacuum Hose Schematic for 350 Federal C10 Light Duty Emissions

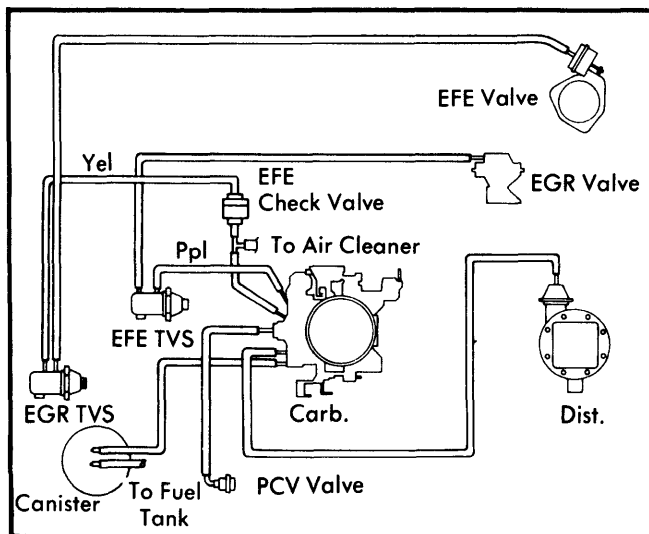


Fig. 6 Vacuum Hose Schematic for 350 Federal G10 Light Duty Emissions

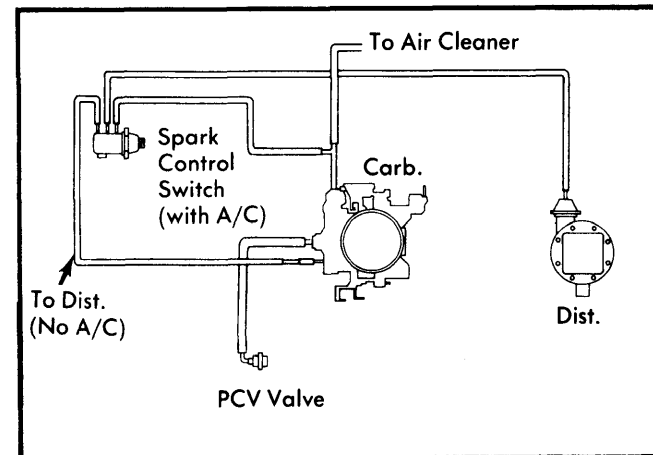


Fig. 9 Vacuum Hose Schematic for 350 & 400 Exc. Calif. Heavy Duty Emissions

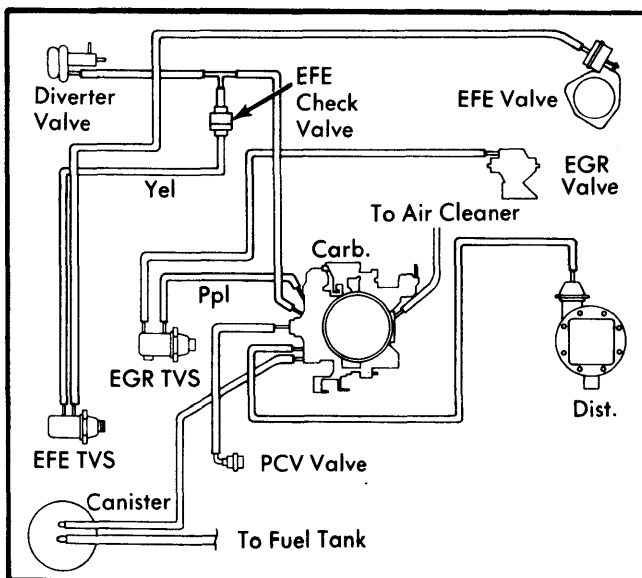


Fig. 7 Vacuum Hose Schematic for 350 High Alt. & Calif. Light Duty Emissions

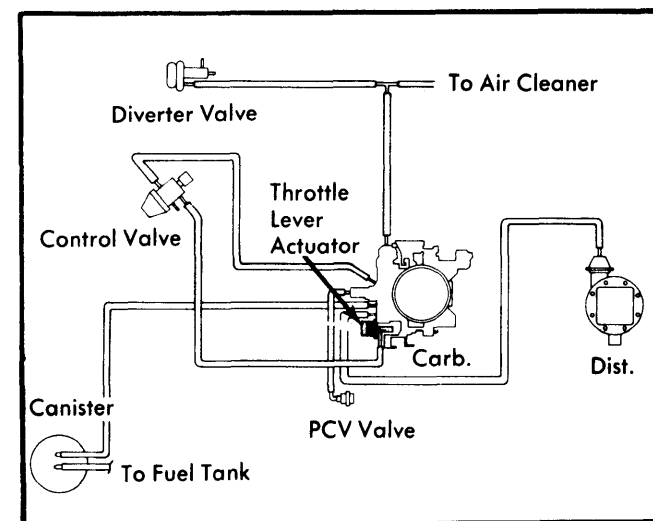


Fig. 10 Vacuum Hose Schematic for 350 & 400 Calif. C, K, G20 & G30 (Non-A/C) H.D. Emissions

# 1975-79 EXHAUST EMISSION SYSTEMS

## 1977 General Motors Vacuum Diagrams (Cont.)

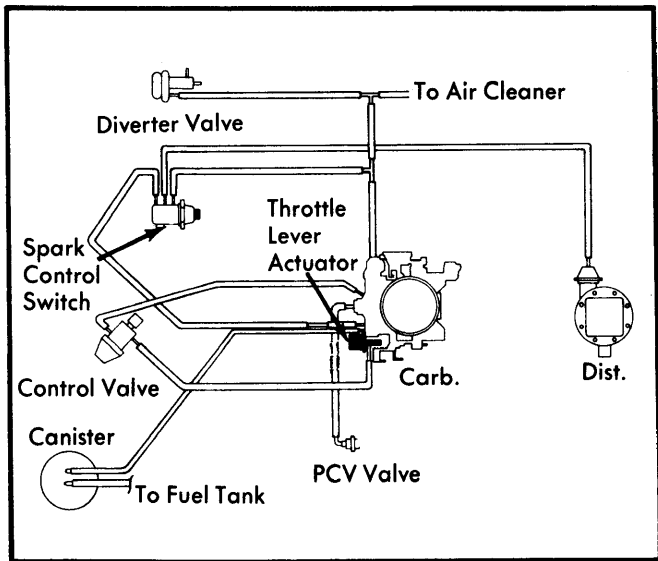


Fig. 11 Vacuum Hose Schematic for  
350" & 400" Calif. 10, 20 & 30 (A/C)  
& 400" Calif. G20 & 30 (A/C)  
Heavy Duty Emissions

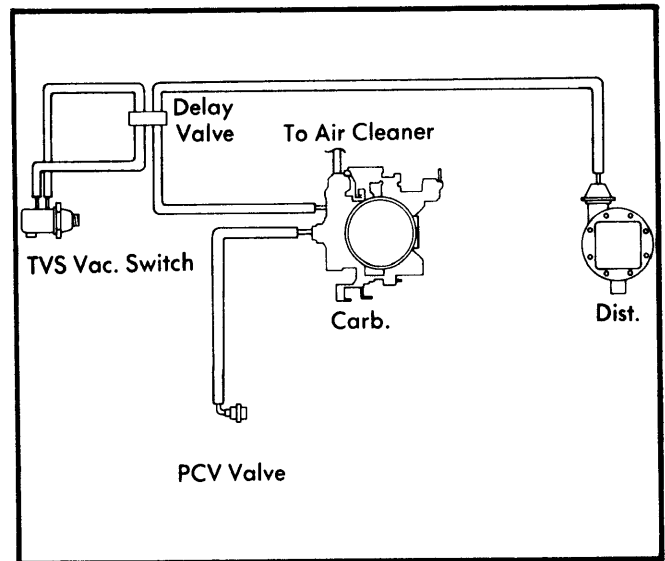


Fig. 13 Vacuum Hose Schematic for  
454" Exc. Calif. Heavy Duty Emissions

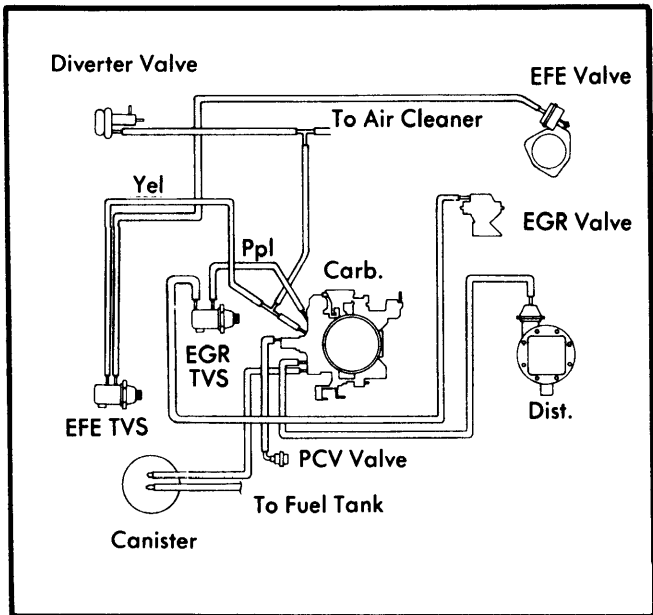


Fig. 12 Vacuum Hose Schematic for  
454" Light Duty Emissions

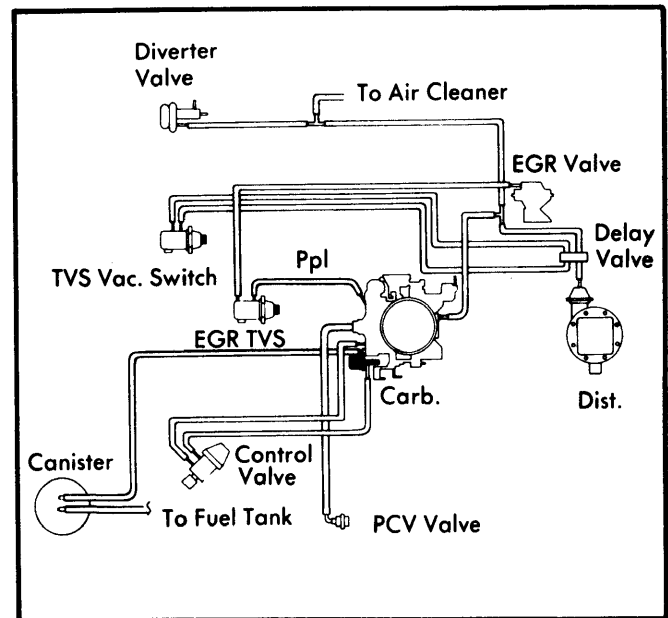


Fig. 14 Vacuum Hose Schematic for  
454" Calif. Heavy Duty Emissions