

1975-79 EXHAUST EMISSION SYSTEMS

1977 Ford Motor Co. Vacuum Diagrams

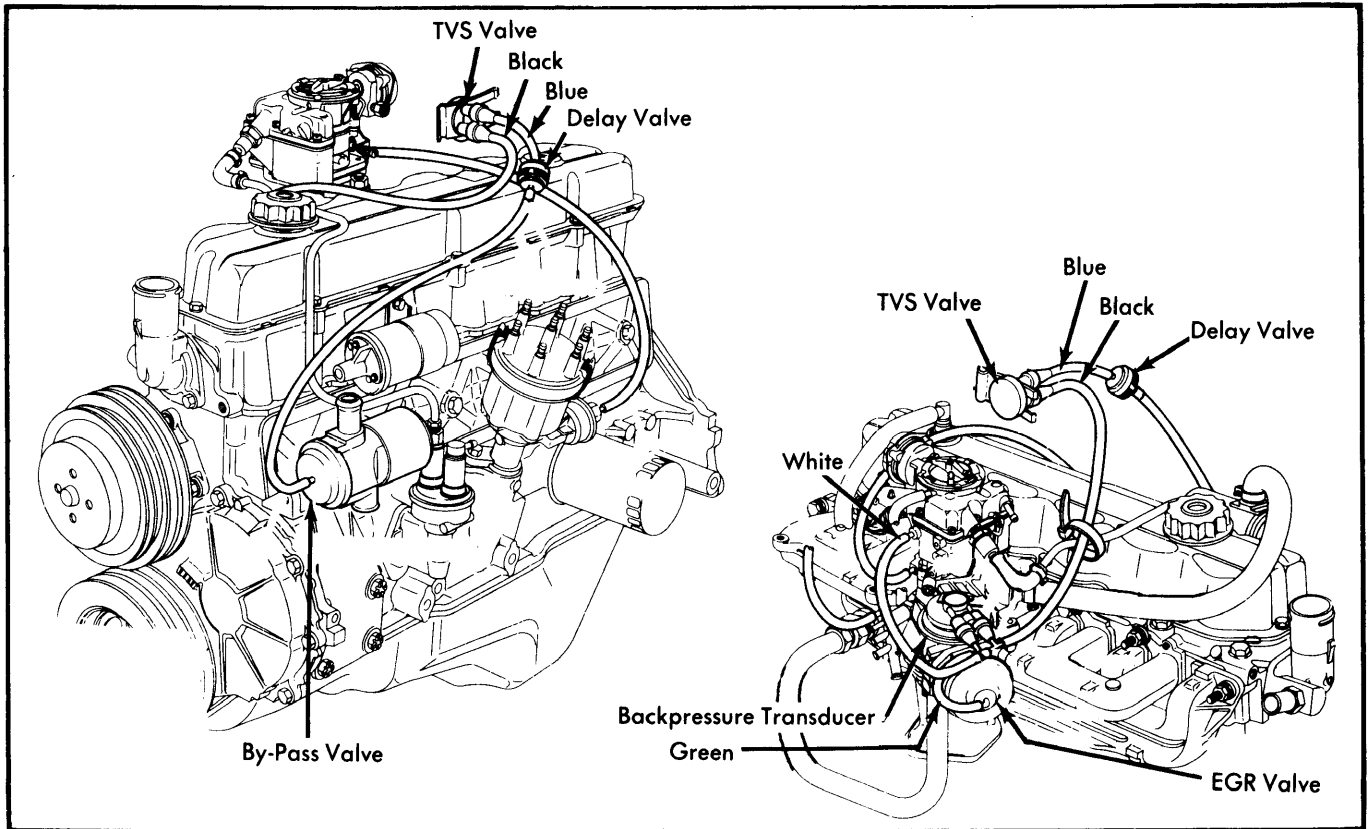


Fig. 1 7-51H R0, Man. Trans., Federal, 300" (E100)
7-52H R0, Auto. Trans., Federal, 300" (F100)

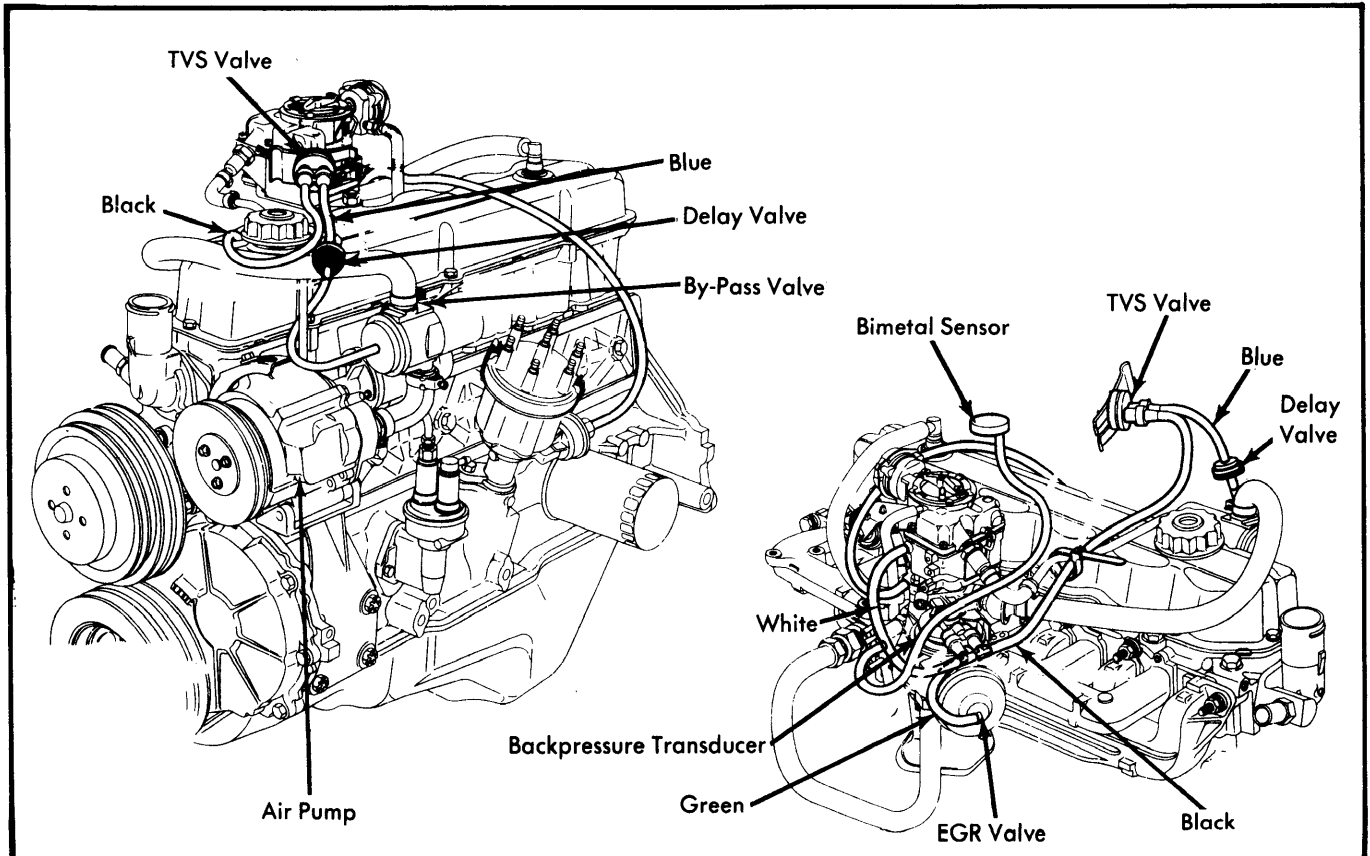


Fig. 2 7-52G R0, Auto. Trans., Federal, 300" (F100)

1975-79 EXHAUST EMISSION SYSTEMS 1977 Ford Motor Co. Vacuum Diagrams (Cont.)

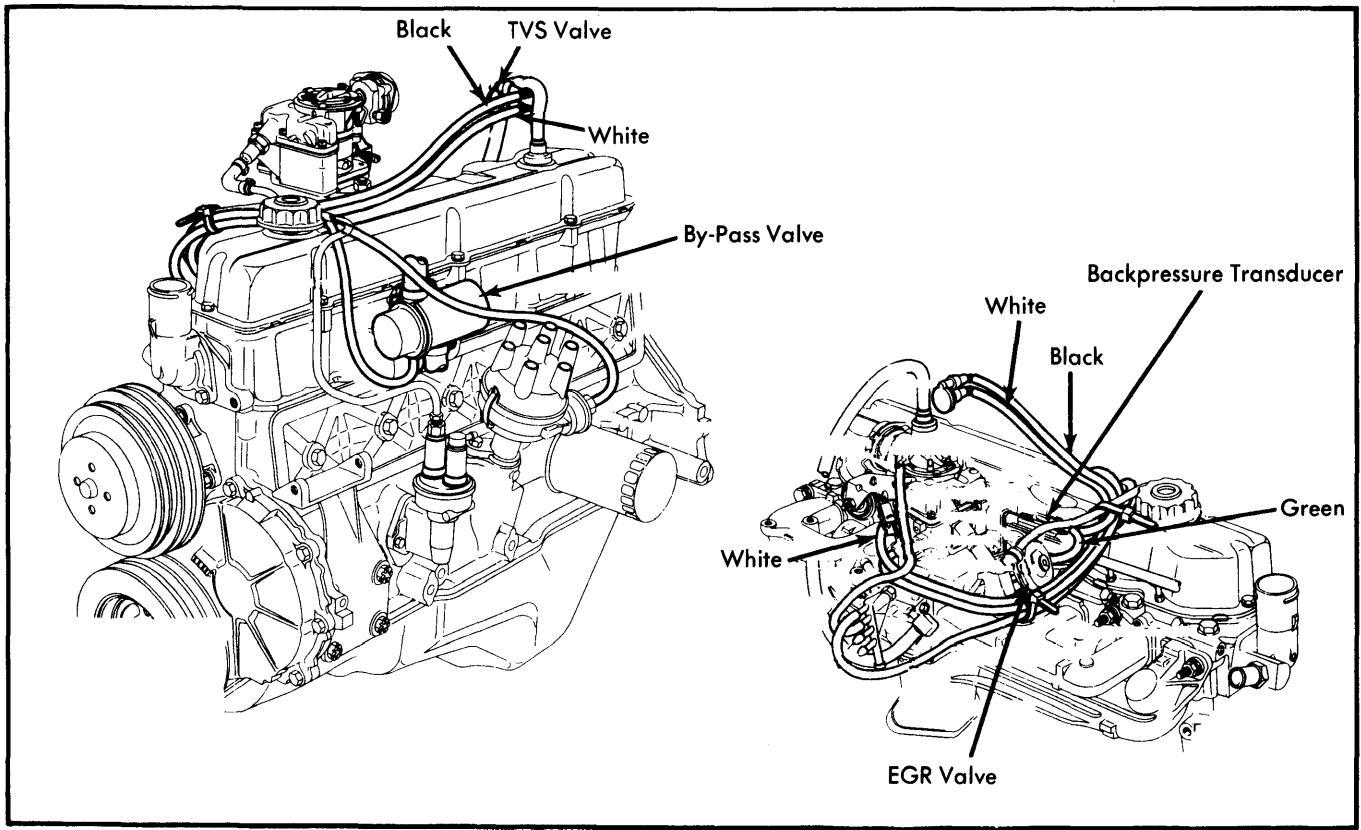


Fig. 3 6-51A R0, Man. Trans., Canada, 300" (F100);
6-51F R0, Man. Trans., Canada, 300" (E100)

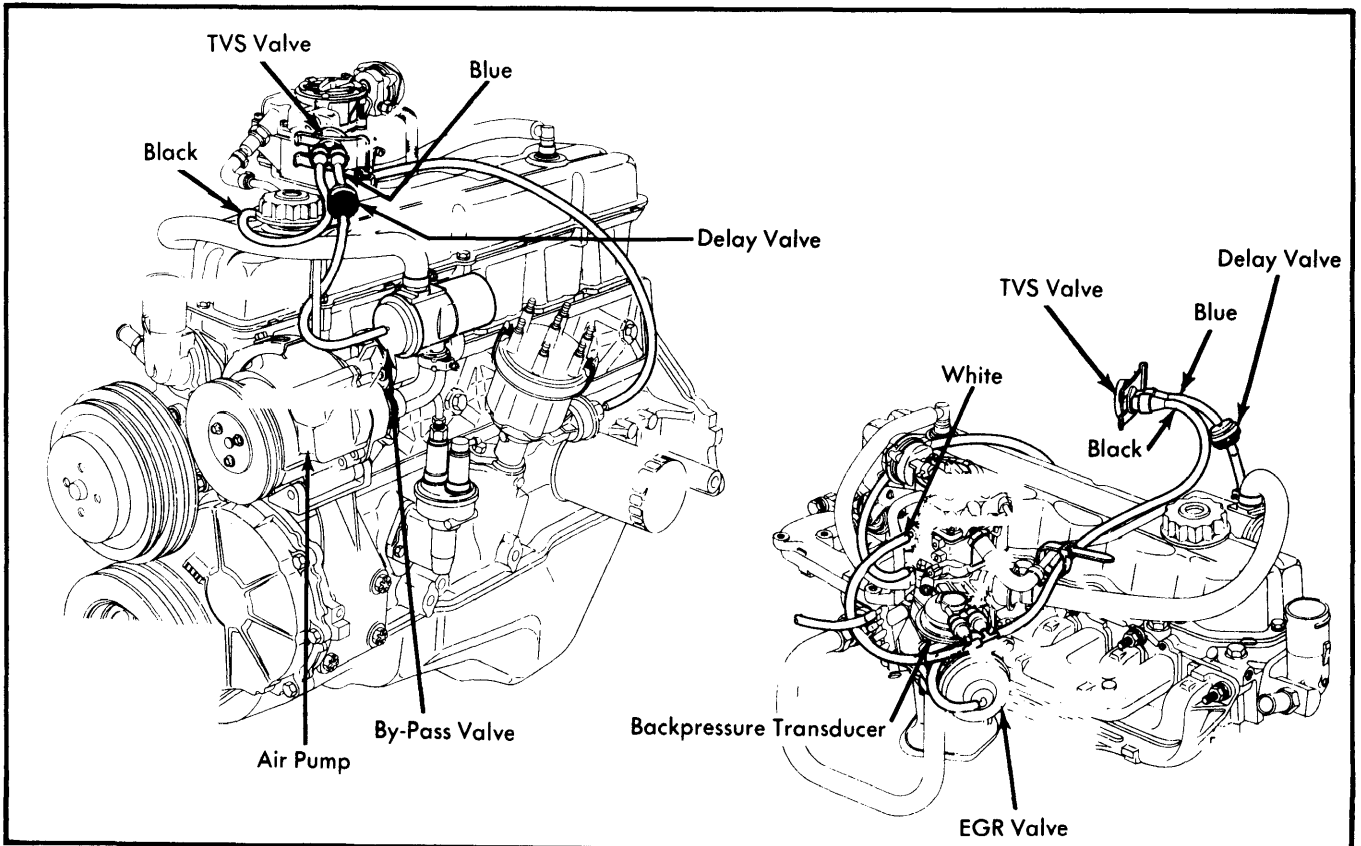


Fig. 4 7-51G R0, Man. Trans., Federal, 300" (F100)

1975-79 EXHAUST EMISSION SYSTEMS

1977 Ford Motor Co. Vacuum Diagrams (Cont.)

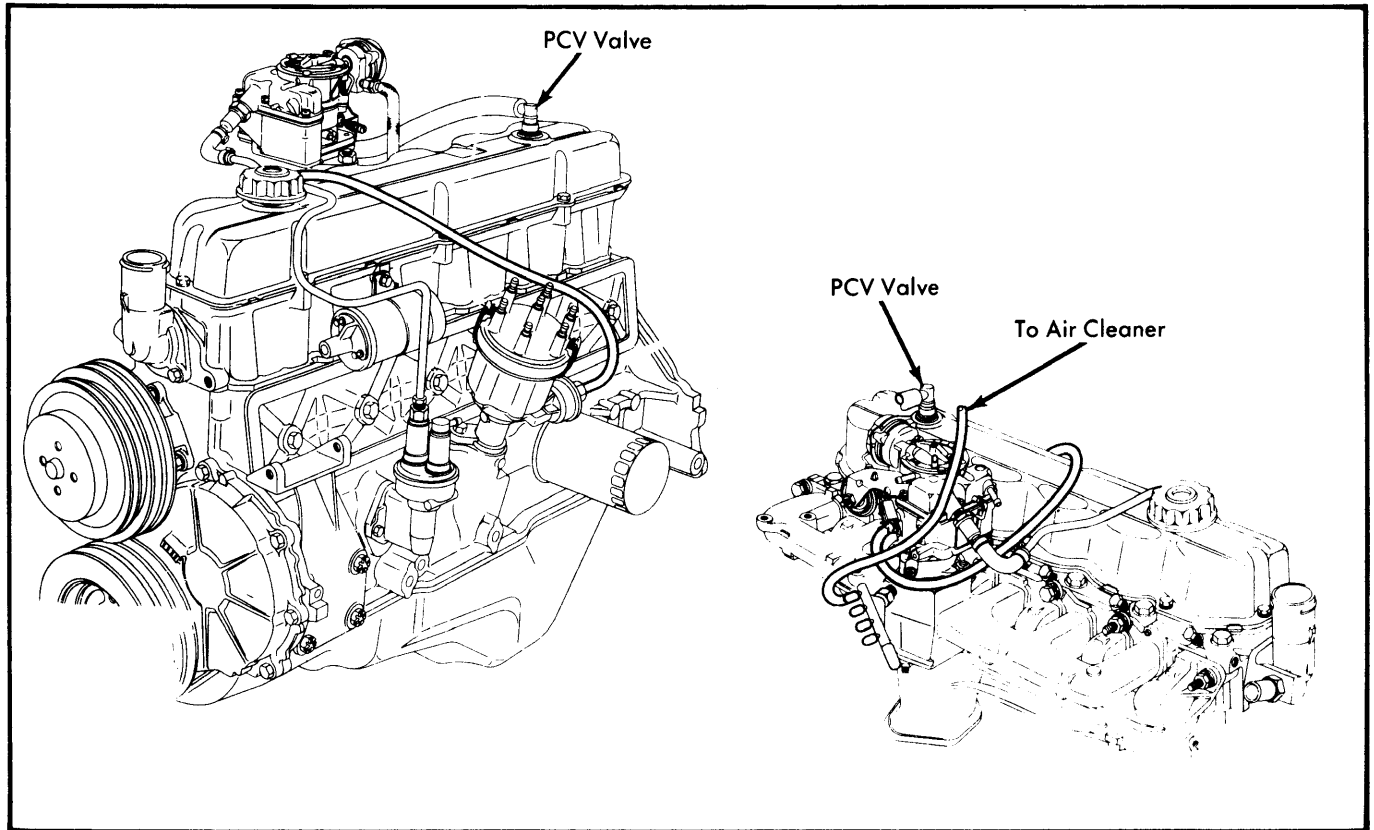


Fig. 5 5-77 R1 (Man. Trans.) & 5-78 R1 (Auto. Trans.), Fed. & Canada, 300"
(E150, 250, 350 & F150, 250, 350)

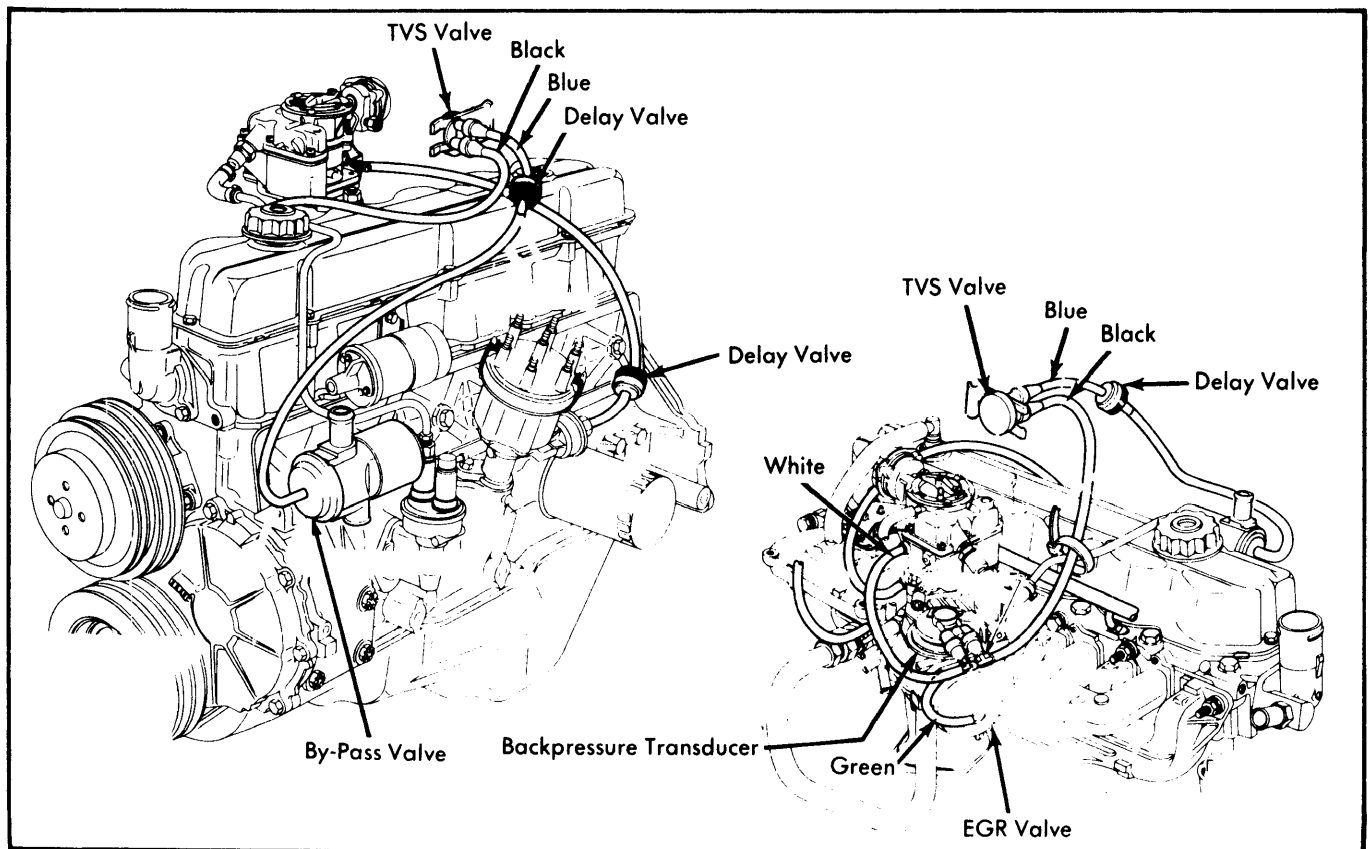


Fig. 6 7-52V R0, Auto. Trans., Calif., 300" (E100)

1975-79 EXHAUST EMISSION SYSTEMS

1977 Ford Motor Co. Vacuum Diagrams (Cont.)

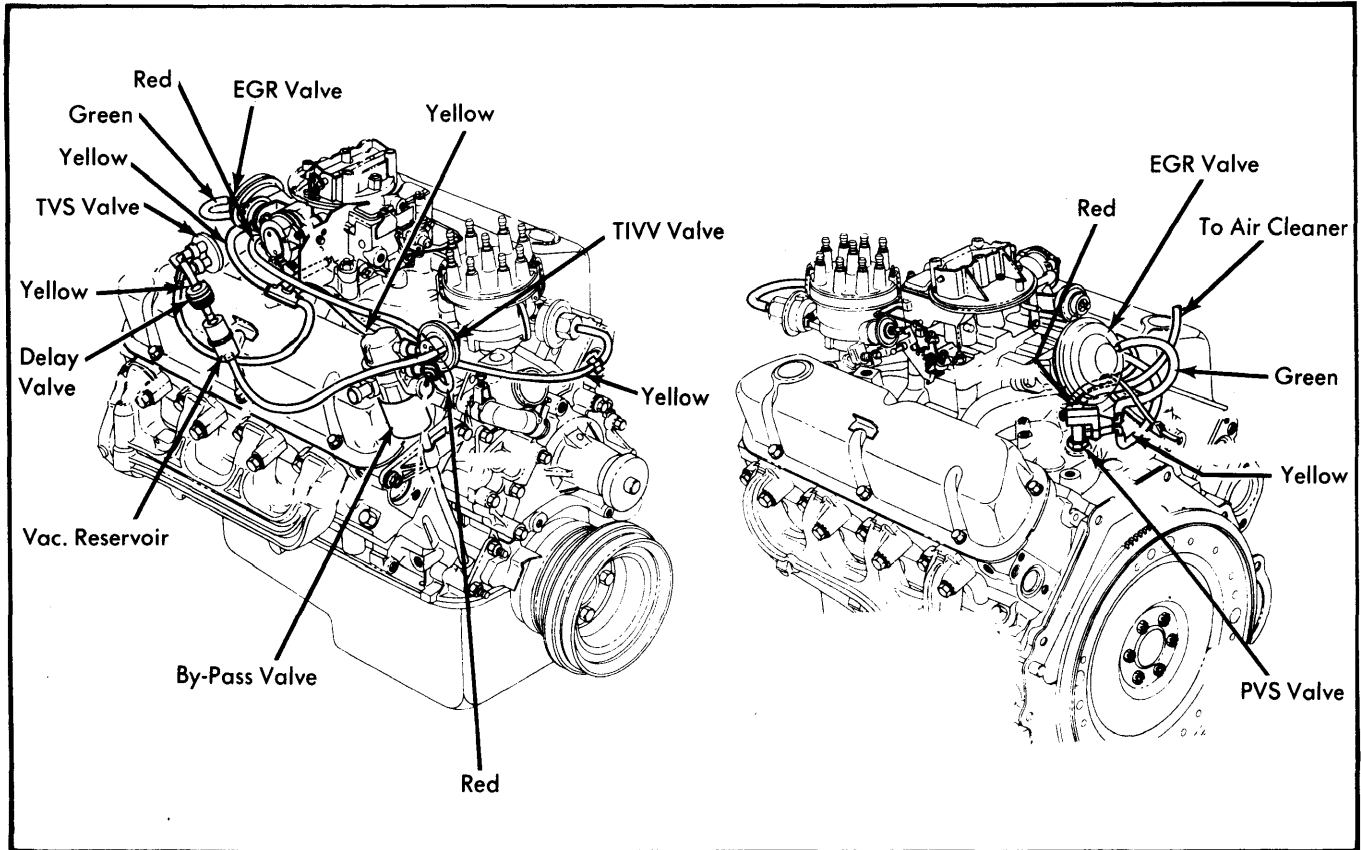


Fig. 7 7-53S R0, Man. Trans., Calif. 302" (F100)

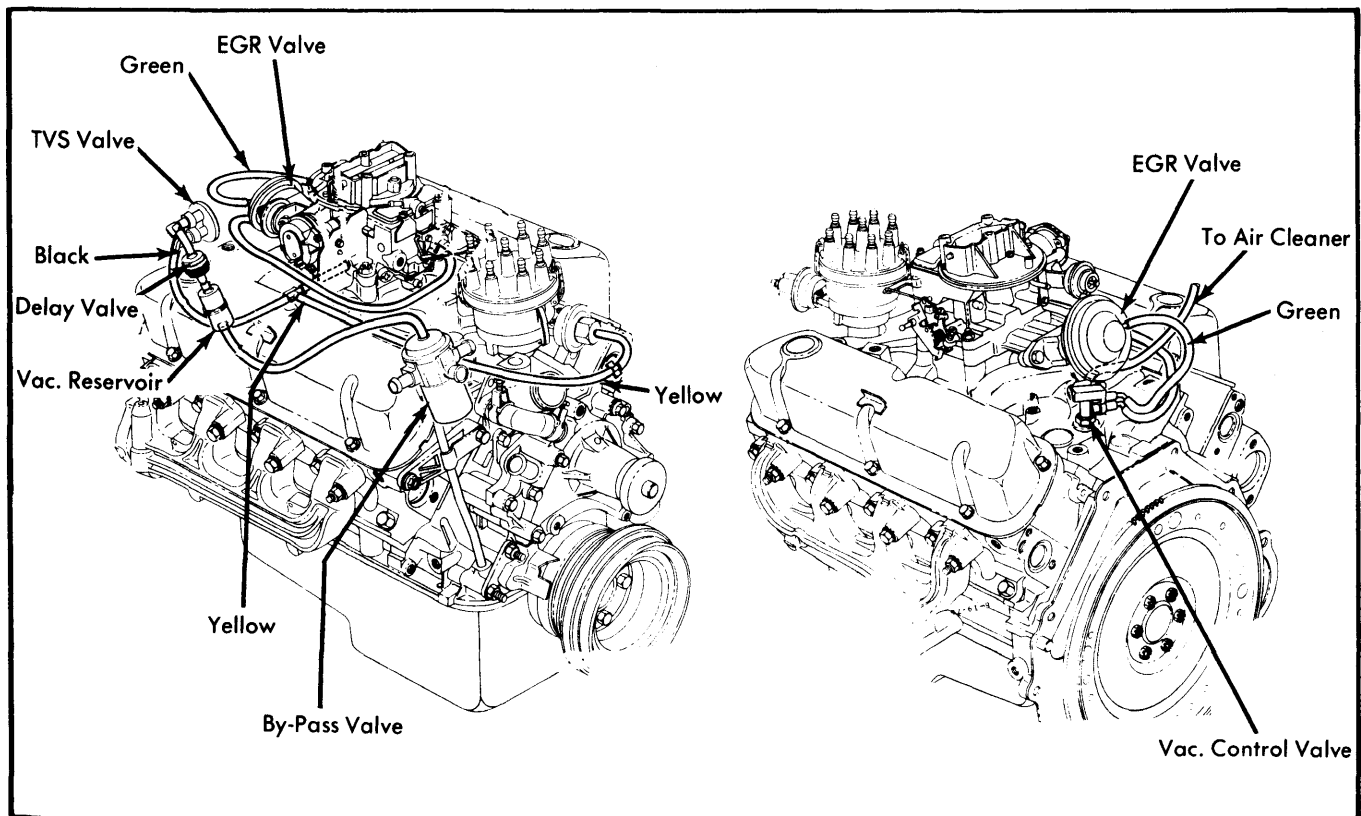


Fig. 8 7-54S R0, Auto. Trans., Calif., 302" (F100)

1975-79 EXHAUST EMISSION SYSTEMS

1977 Ford Motor Co. Vacuum Diagrams (Cont.)

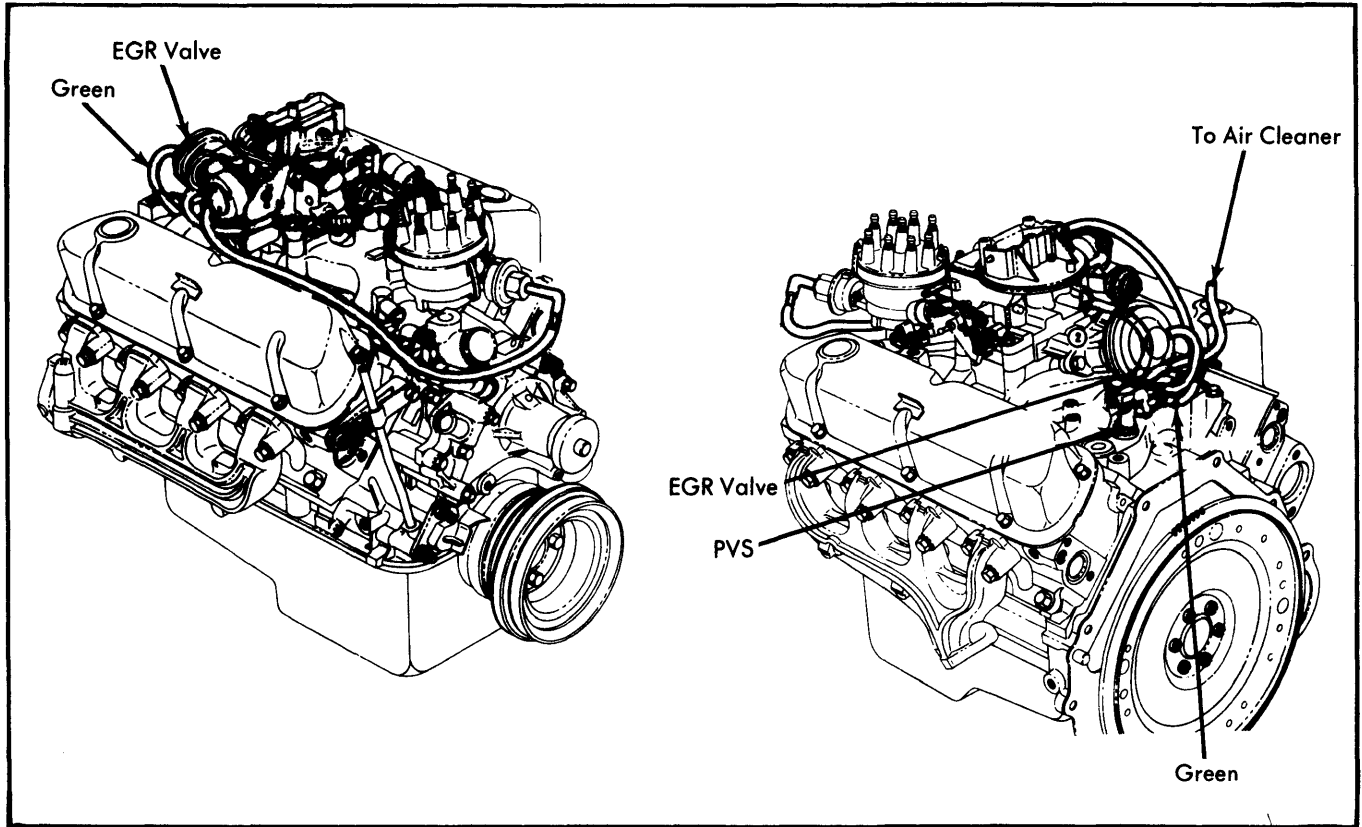


Fig. 9 7-54K R0, Auto. Trans., Fed. & Canada, 302" (F100)

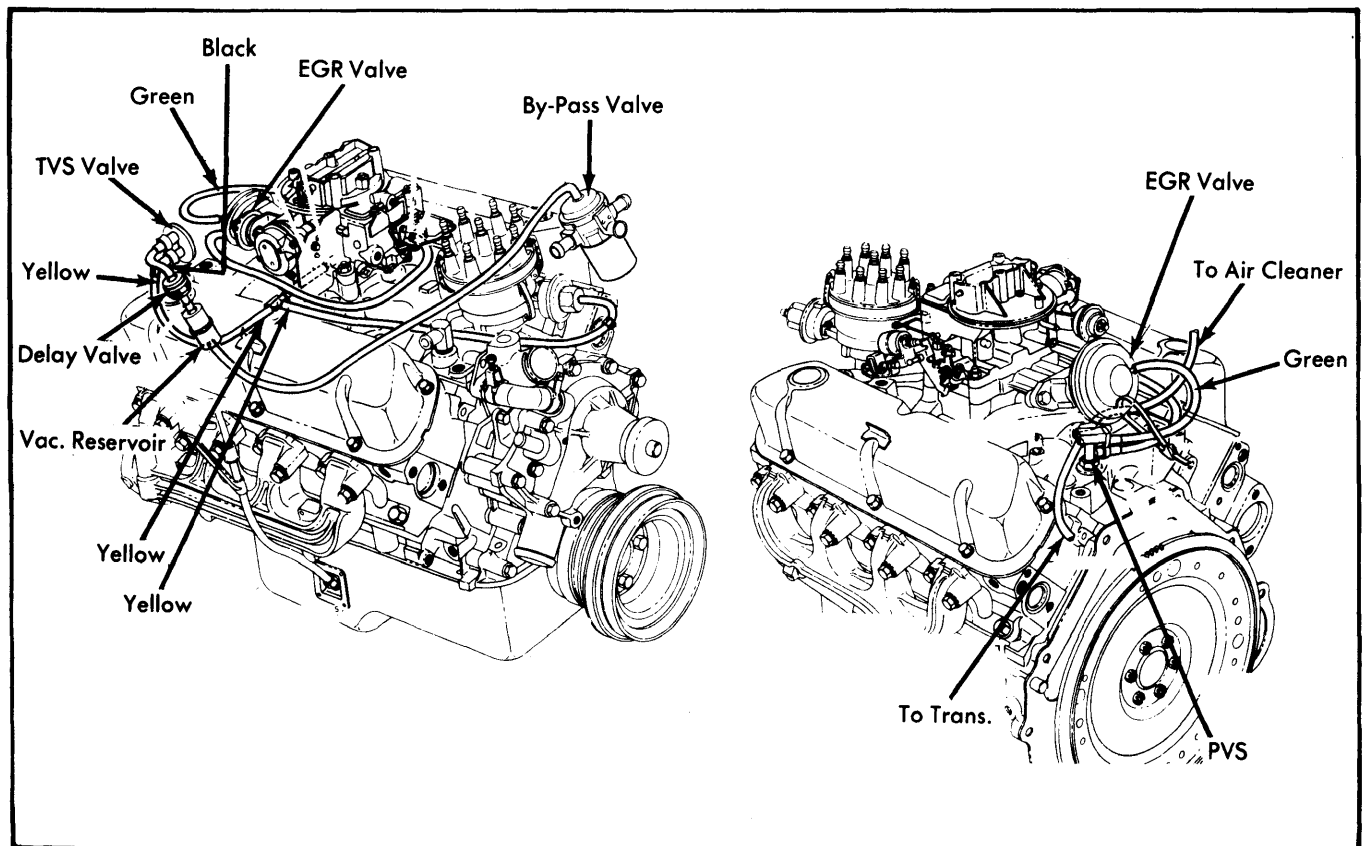


Fig. 10 7-54T R0, Auto. Trans., Calif., 302" (Bronco)

1975-79 EXHAUST EMISSION SYSTEMS

1977 Ford Motor Co. Vacuum Diagrams (Cont.)

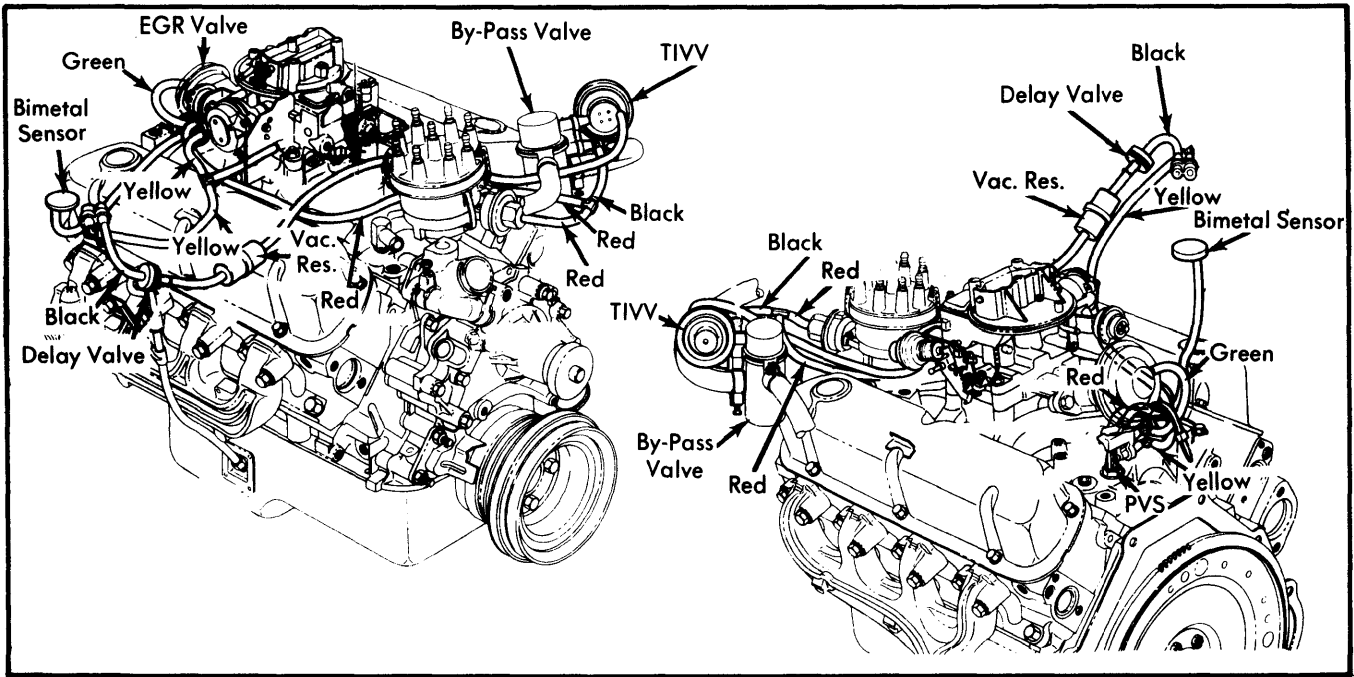


Fig. 11 7-53H R0, Man. Trans., Fed. & Canada, 302" (Bronco)

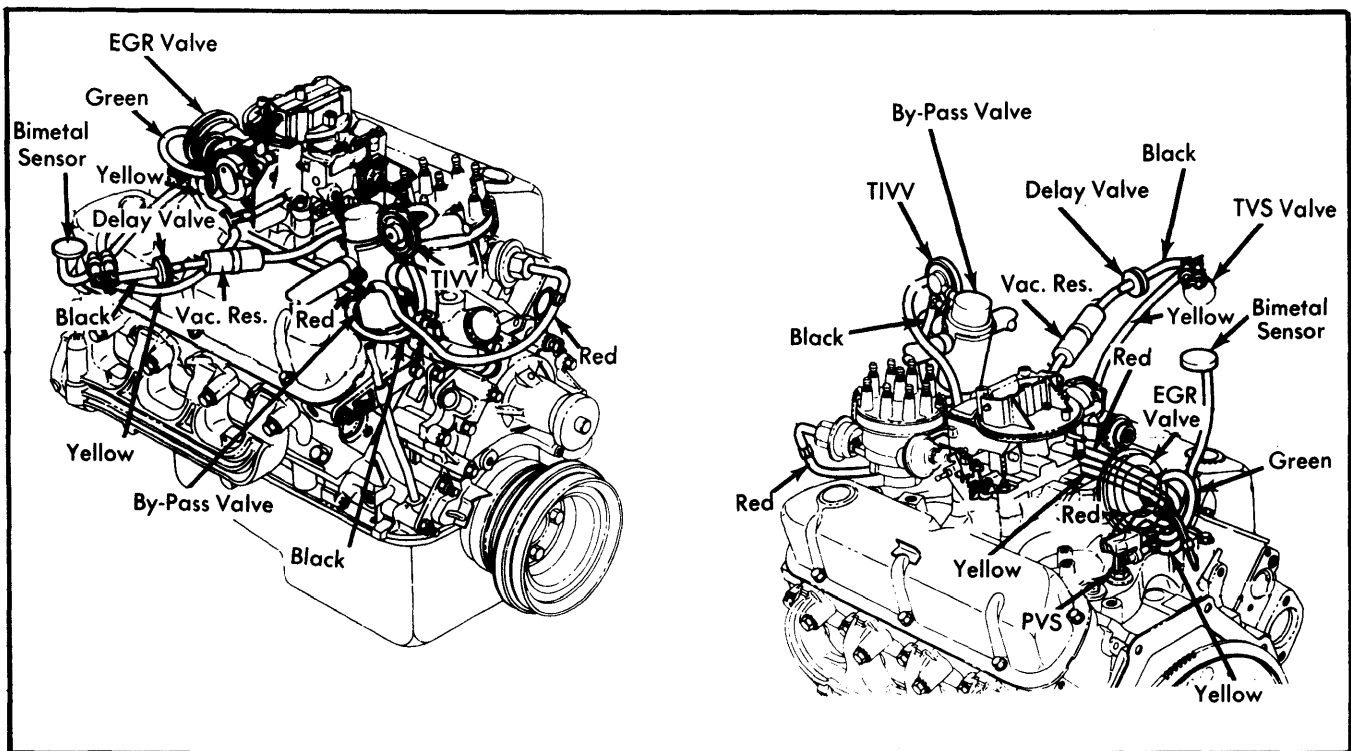


Fig. 12 7-53G R0, Man. Trans., Fed. & Canada, 302" (F100)

1975-79 EXHAUST EMISSION SYSTEMS

1977 Ford Motor Co. Vacuum Diagrams (Cont.)

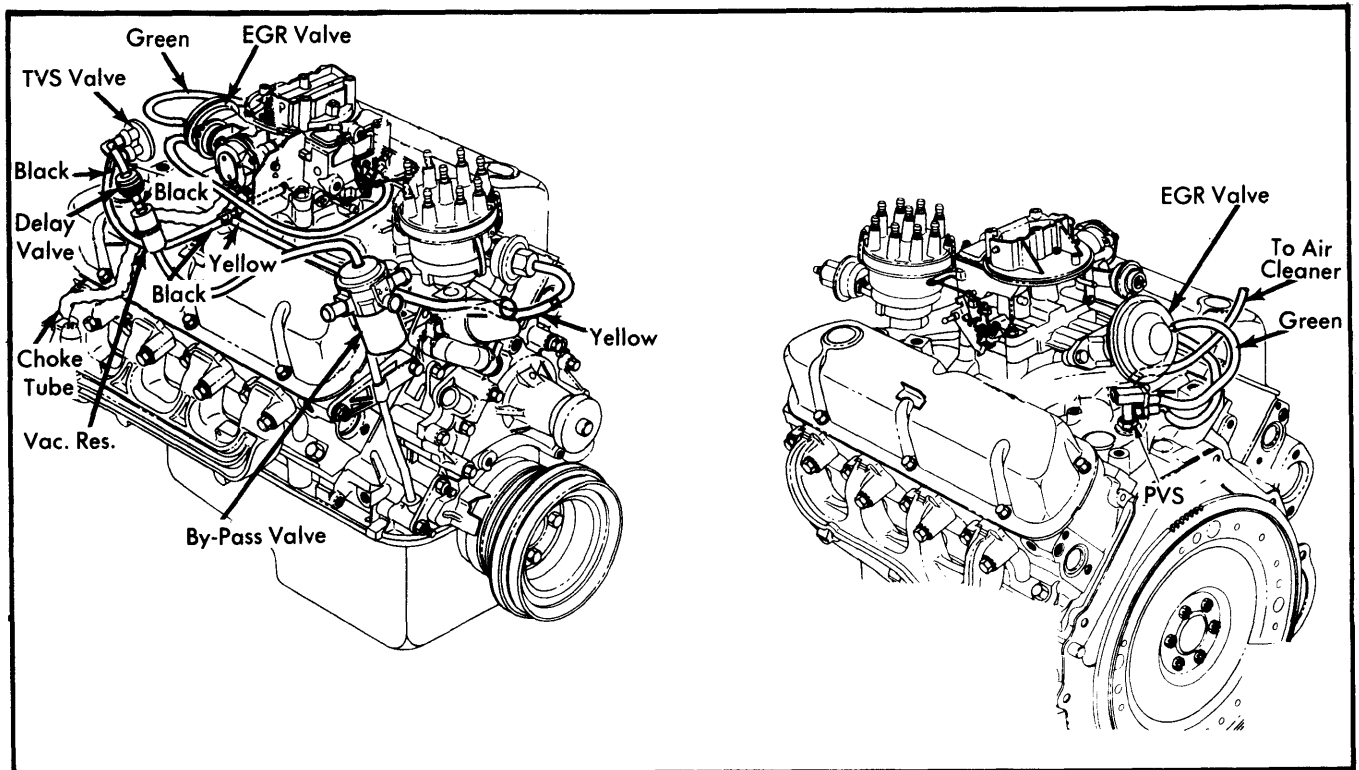


Fig. 13 7-54S R9, Auto. Trans., Calif., 302" (F100)

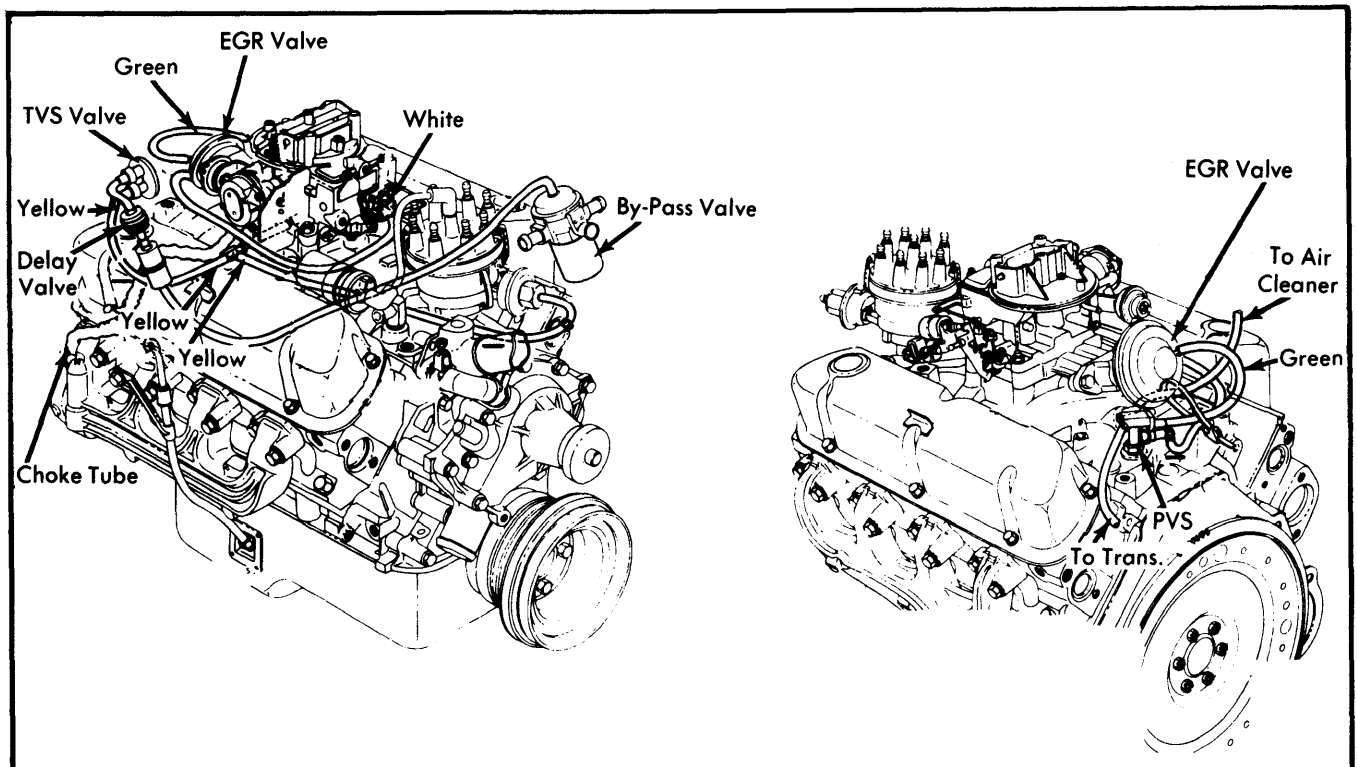


Fig. 14 7-54T R9, Auto. Trans., Calif., 302" (Bronco)

1975-79 EXHAUST EMISSION SYSTEMS

1977 Ford Motor Co. Vacuum Diagrams (Cont.)

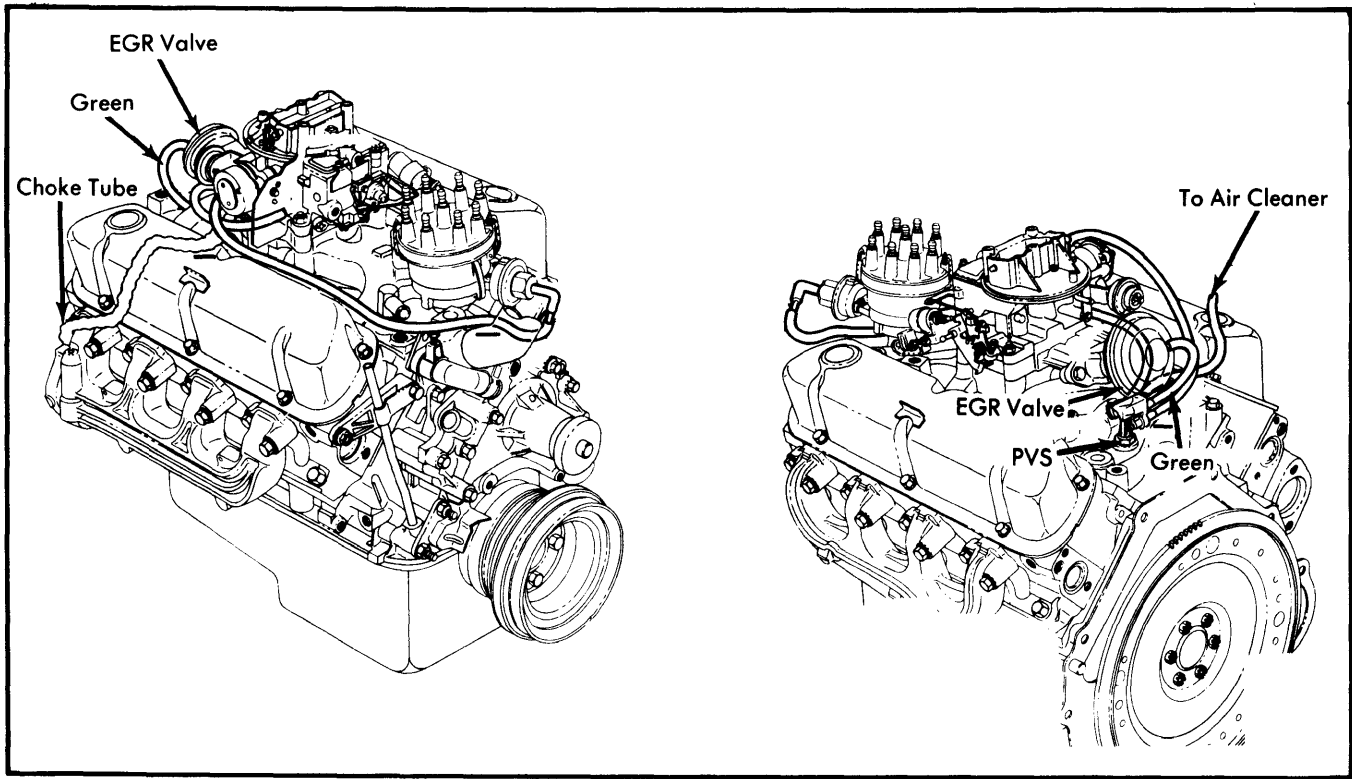


Fig. 15 7-54K R9, Auto. Trans., Fed. & Canada, 302" (F100)

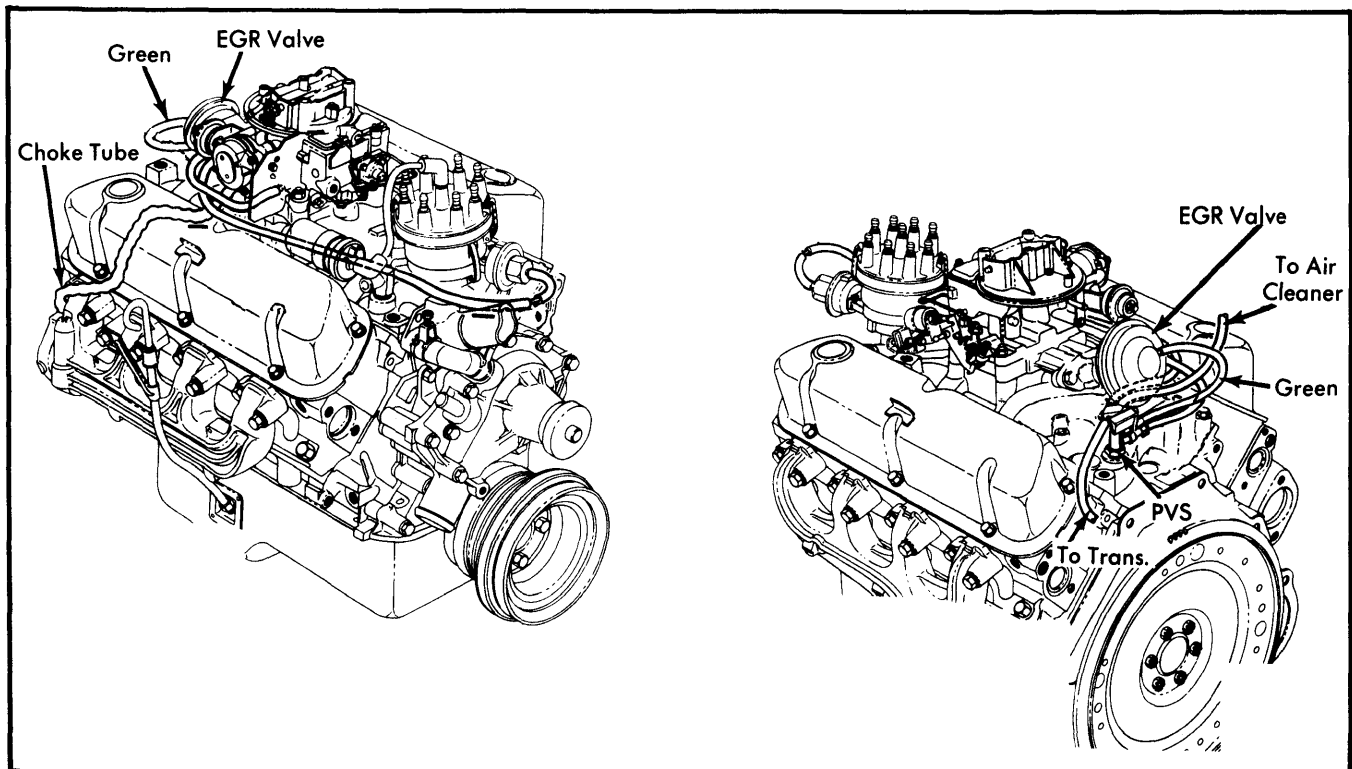


Fig. 16 7-54L R9, Auto. Trans., Fed. & Canada, 302" (Bronco)

1975-79 EXHAUST EMISSION SYSTEMS

1977 Ford Motor Co. Vacuum Diagrams (Cont.)

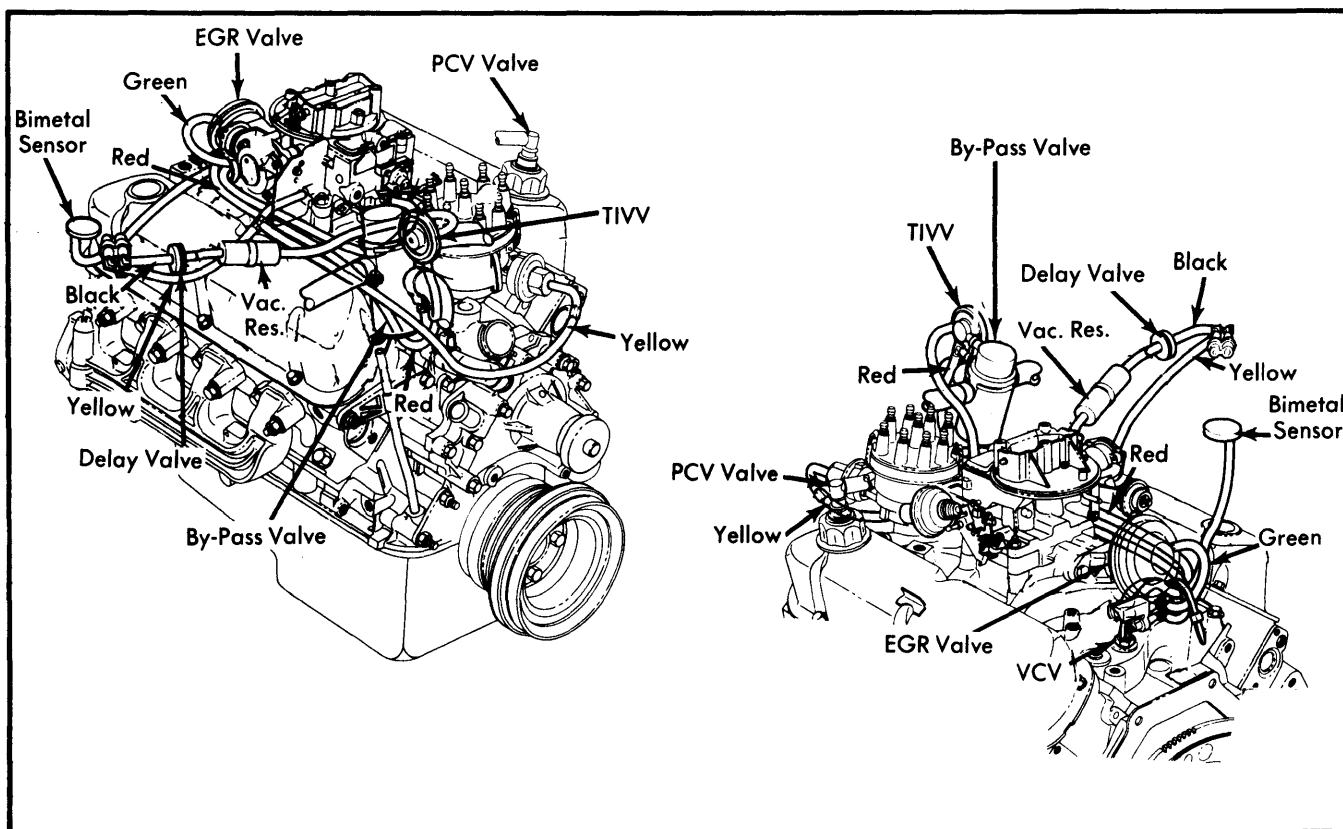


Fig. 17 7-53A R0, Man. Trans., High Alt., 302" (F100)

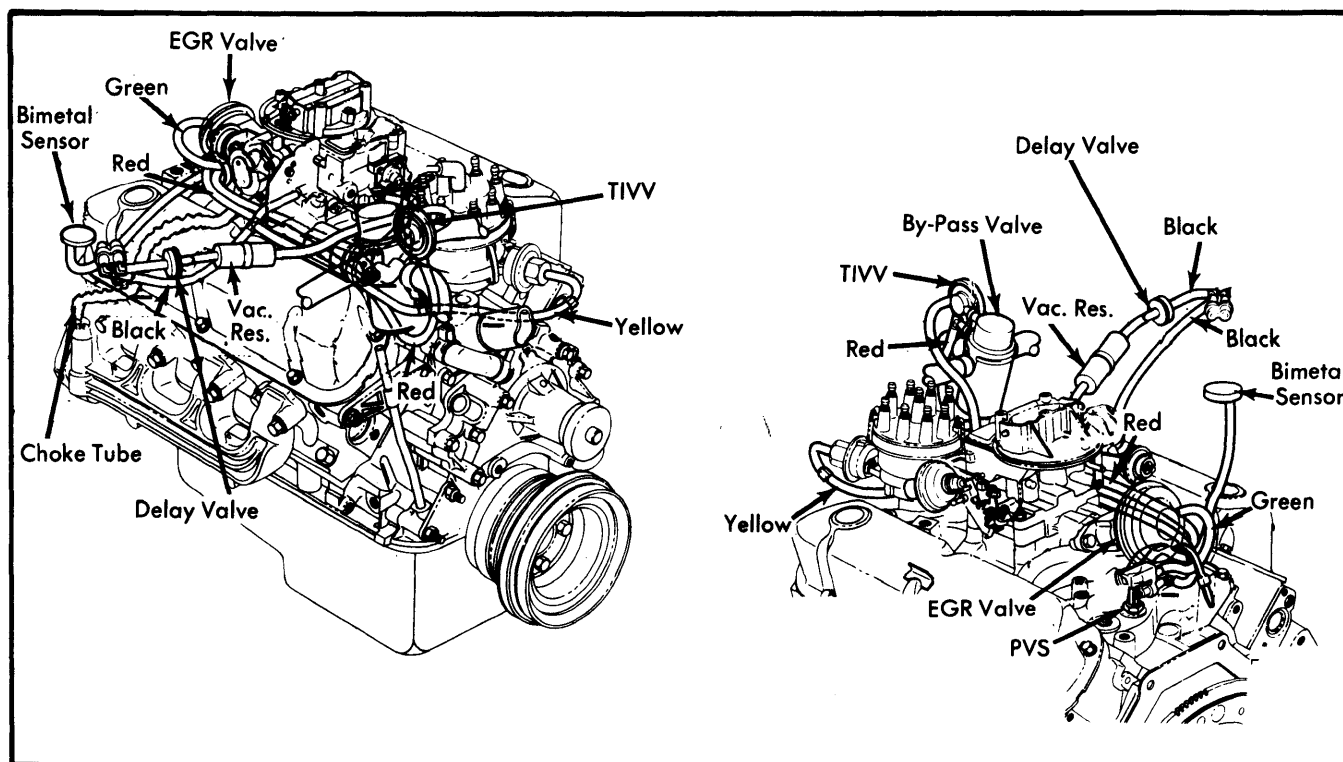


Fig. 18 7-53A R10, Man. Trans., High Alt., 302" (F100)

1975-79 EXHAUST EMISSION SYSTEMS 1977 Ford Motor Co. Vacuum Diagrams (Cont.)

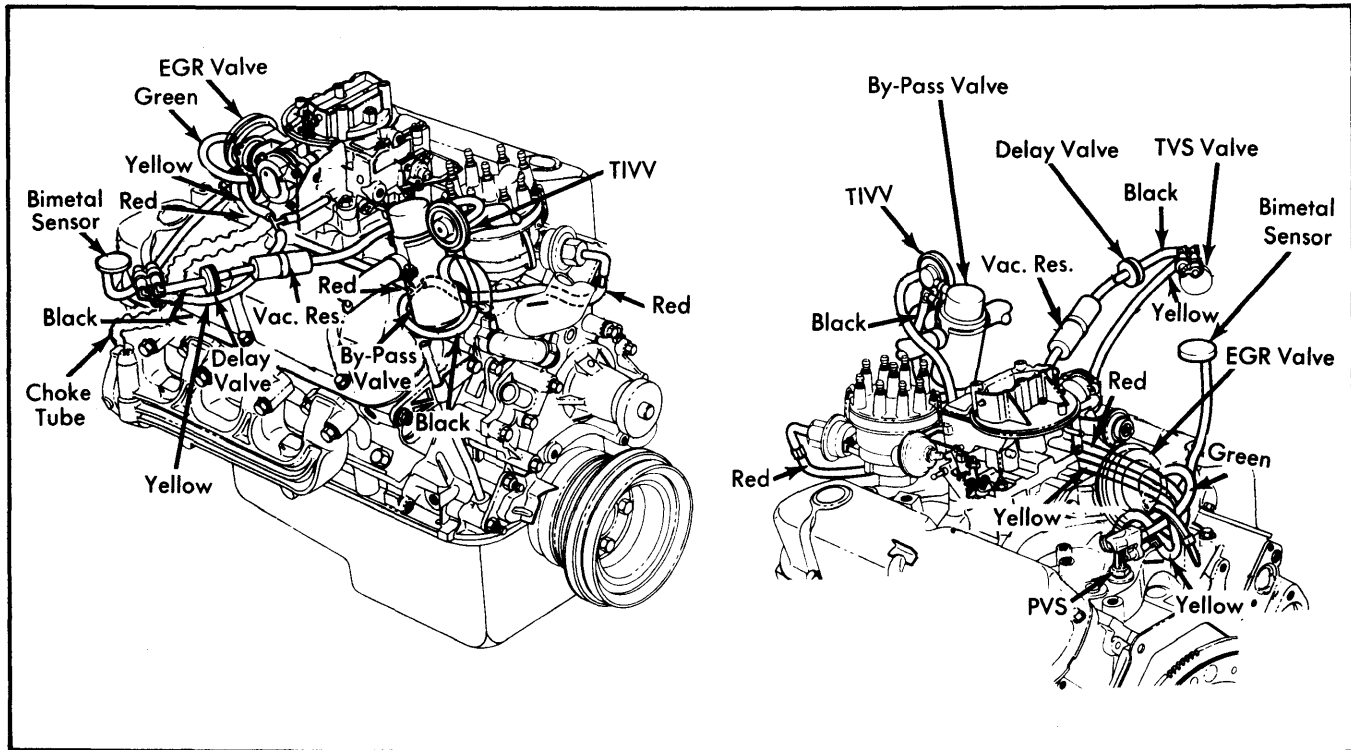


Fig. 19 7-53G R9, Man. Trans., Fed. & Canada, 302" (F100)

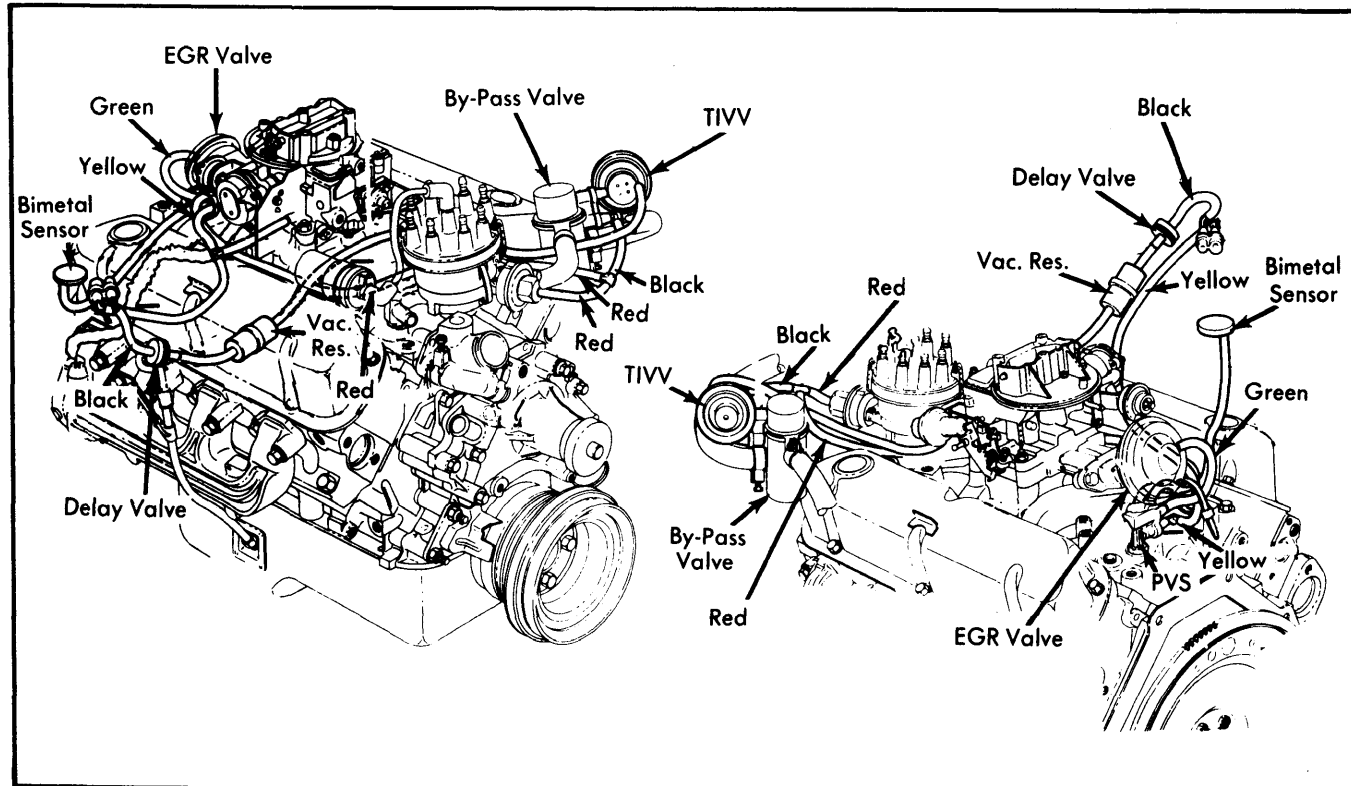


Fig. 20 7-53H R9, Man. Trans., Fed. & Canada, 302" (Bronco)

1975-79 EXHAUST EMISSION SYSTEMS

1977 Ford Motor Co. Vacuum Diagrams (Cont.)

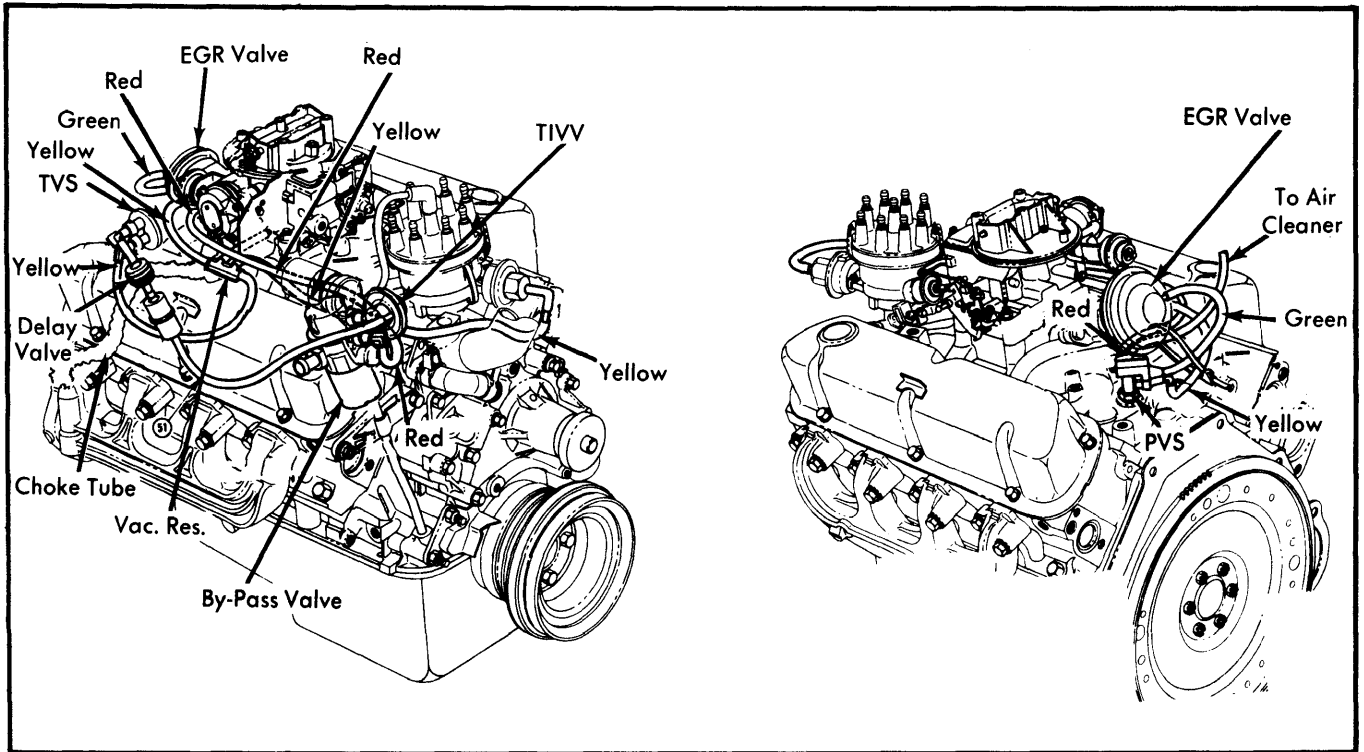


Fig. 21 7-53S R9, Man. Trans., Calif., 302" (F100)

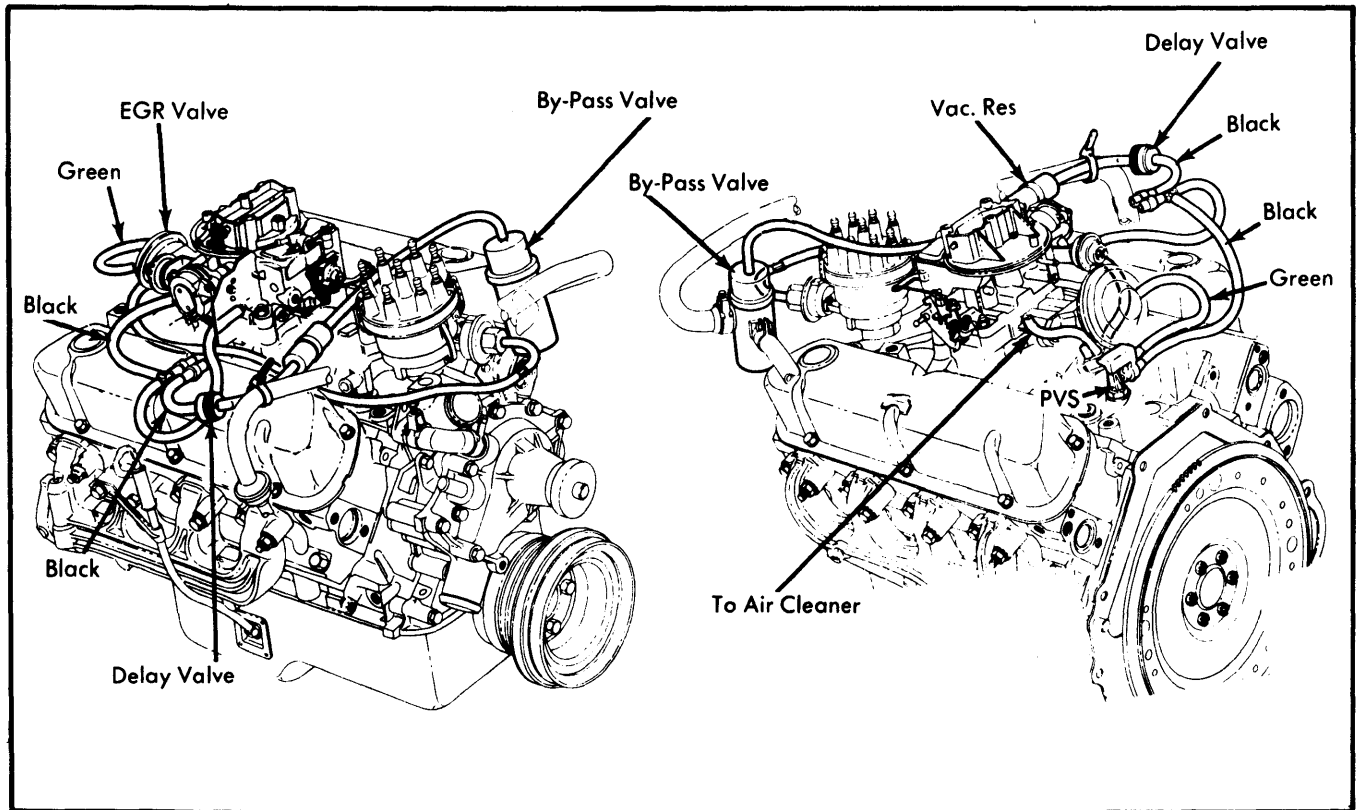


Fig. 22 7-54B R0, Auto. Trans., High Alt., 302" (Bronco)

1975-79 EXHAUST EMISSION SYSTEMS

1977 Ford Motor Co. Vacuum Diagrams (Cont.)

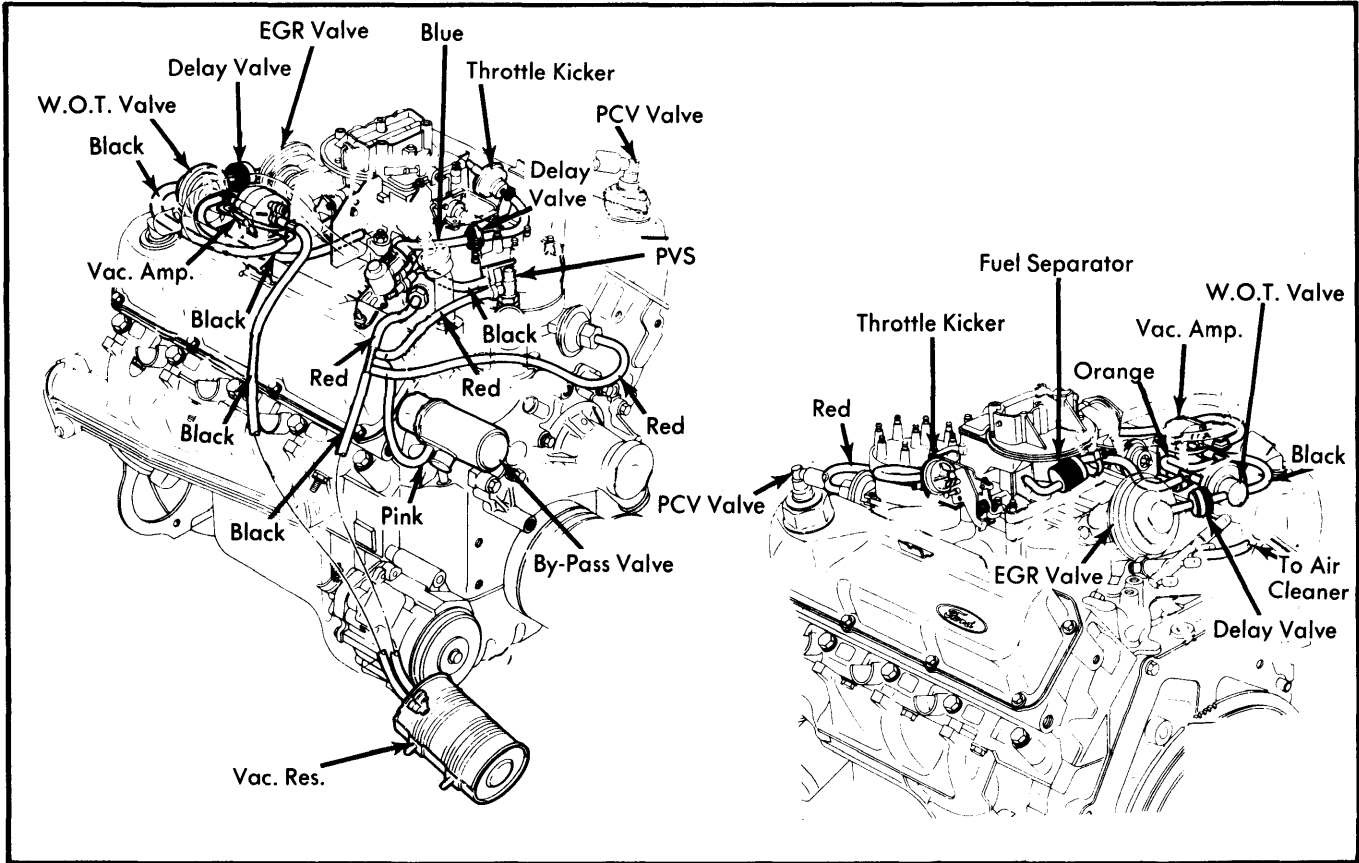


Fig. 23 7-72J R0, Auto. Trans., Calif., 351M"
(F150, 250, 350 - 4x2 & 4x4)

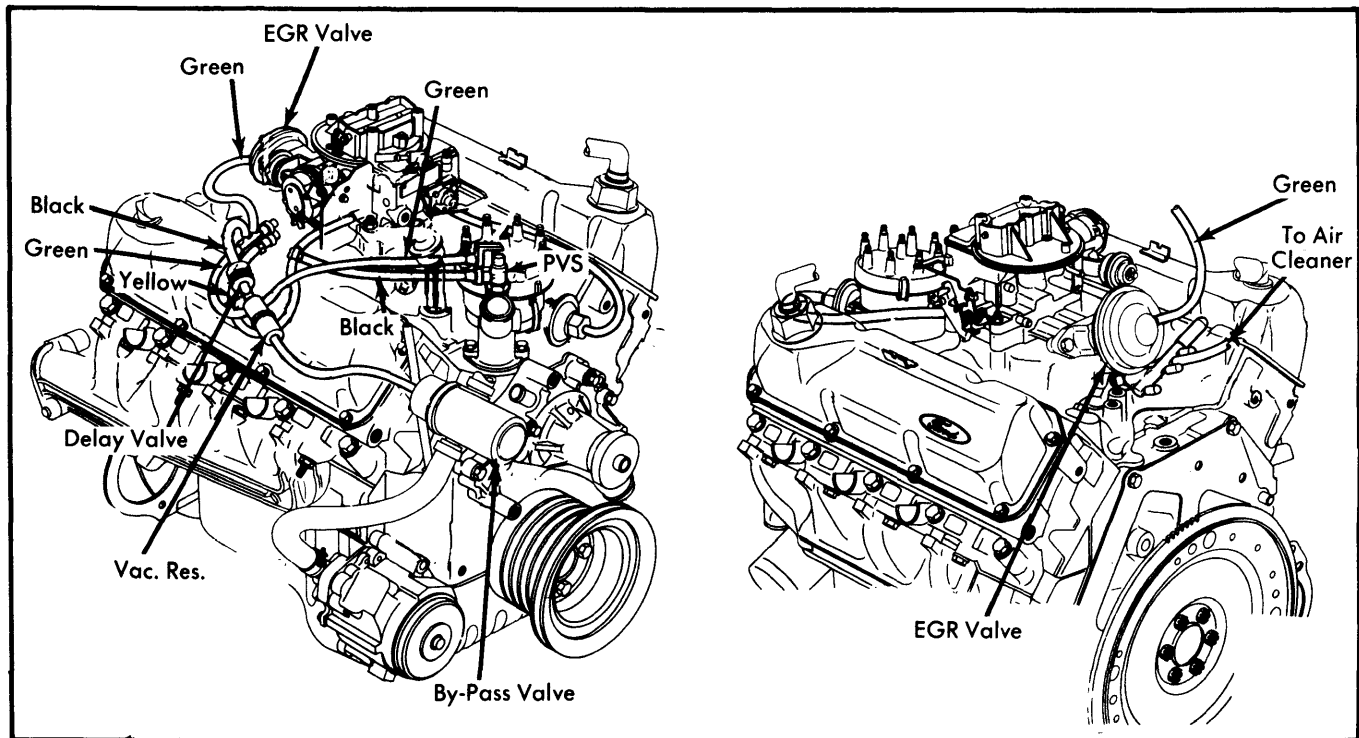


Fig. 24 7-60A R0, Auto. Trans., High Alt., 351M" (F100)

1975-79 EXHAUST EMISSION SYSTEMS

1977 Ford Motor Co. Vacuum Diagrams (Cont.)

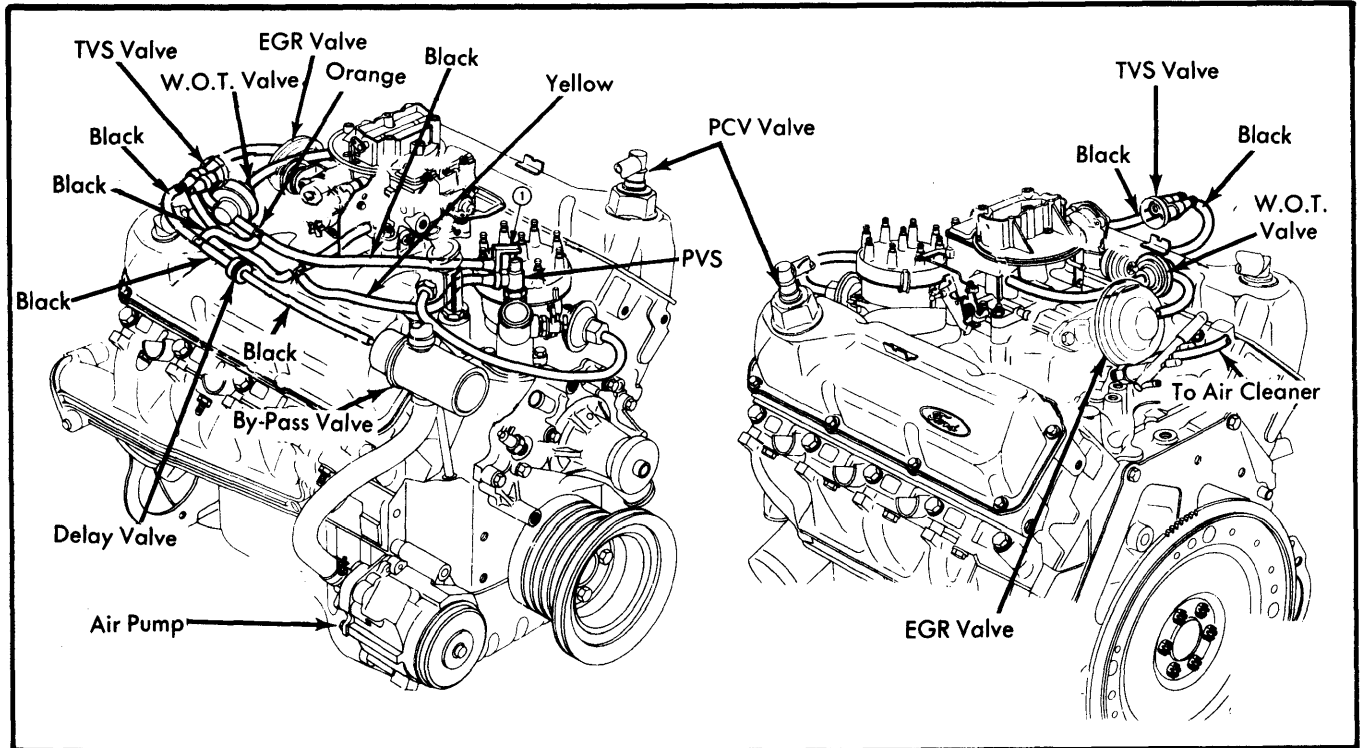


Fig. 25 7-60S R0, Auto. Trans., Calif., 351M" (F100)

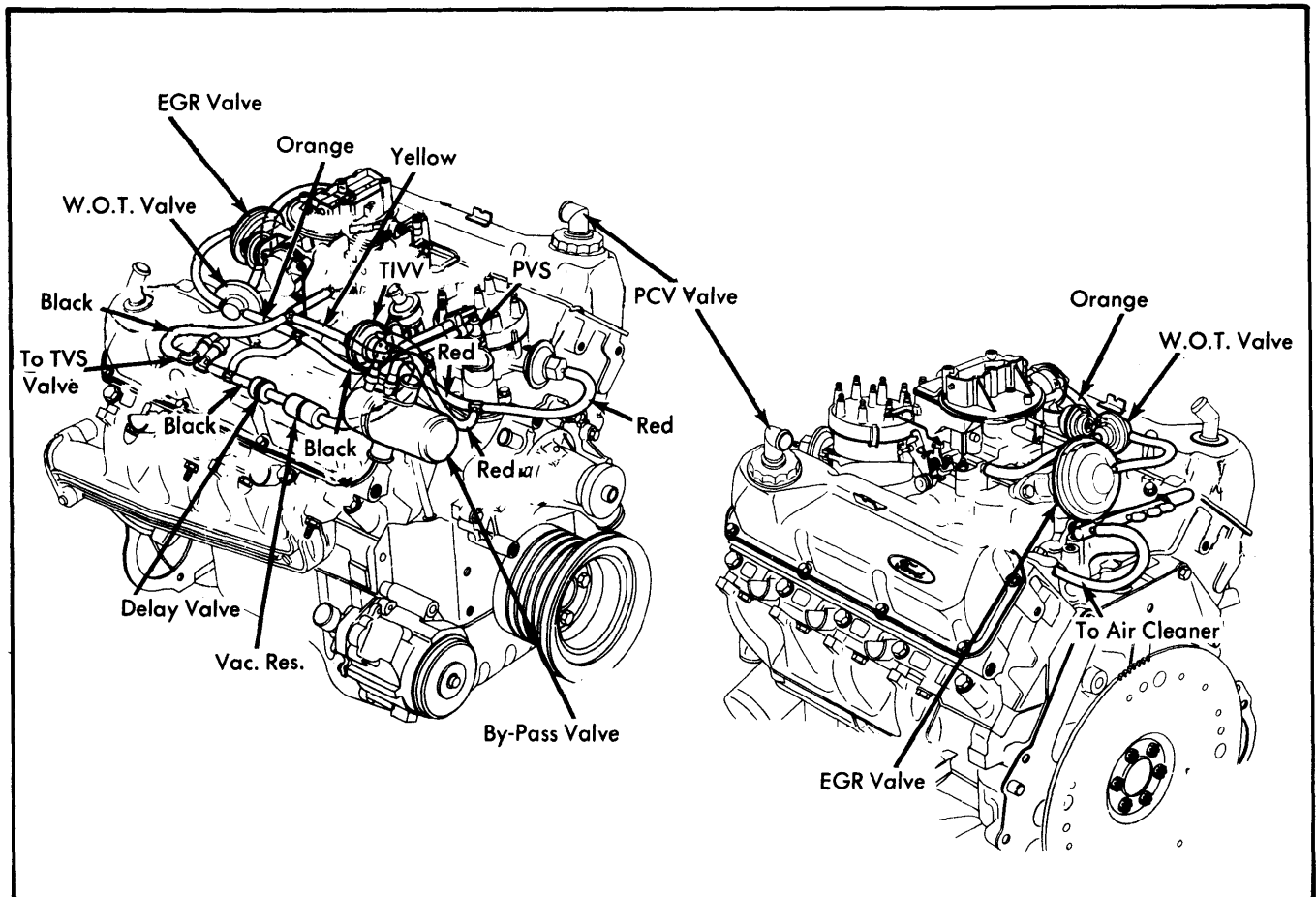


Fig. 26 7-59G R0, Man. Trans., Federal, 351M" (F100)

1975-79 EXHAUST EMISSION SYSTEMS

1977 Ford Motor Co. Vacuum Diagrams (Cont.)

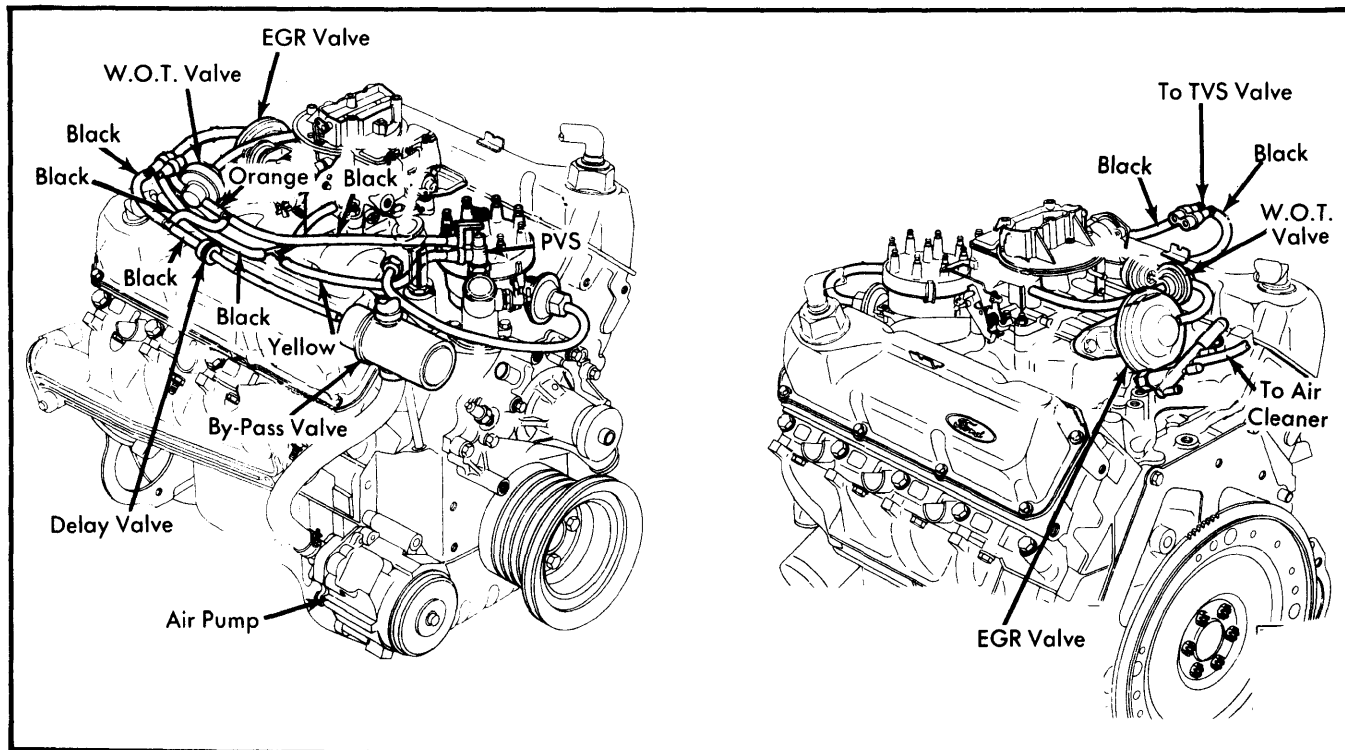


Fig. 27 7-60G R0, Auto. Trans., Federal, 351M" (F100)

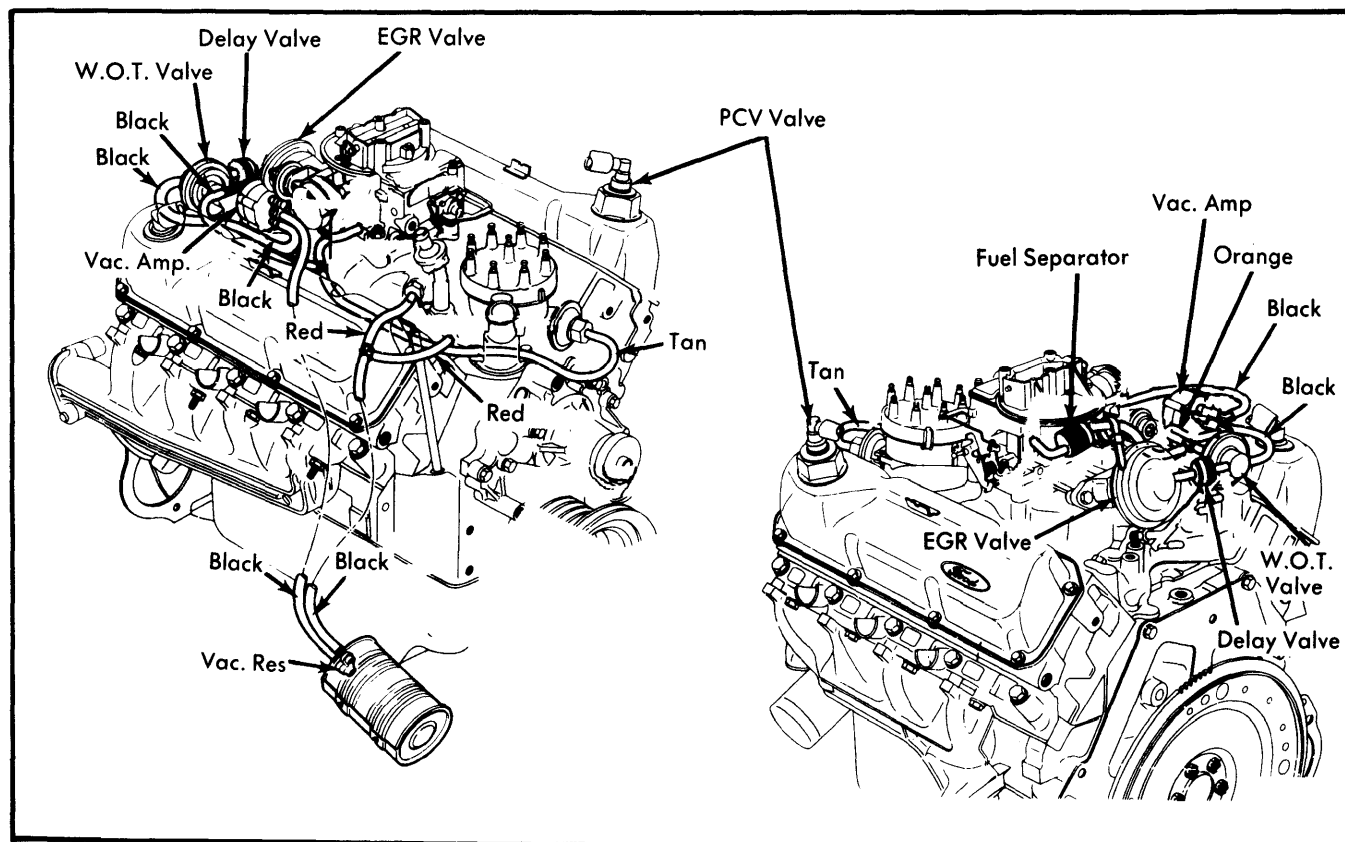


Fig. 28 7-71 R0, Man. Trans., Federal, 351M" (F150, 250, 350 - 4x2 & 4x4)

1975-79 EXHAUST EMISSION SYSTEMS

1977 Ford Motor Co. Vacuum Diagrams (Cont.)

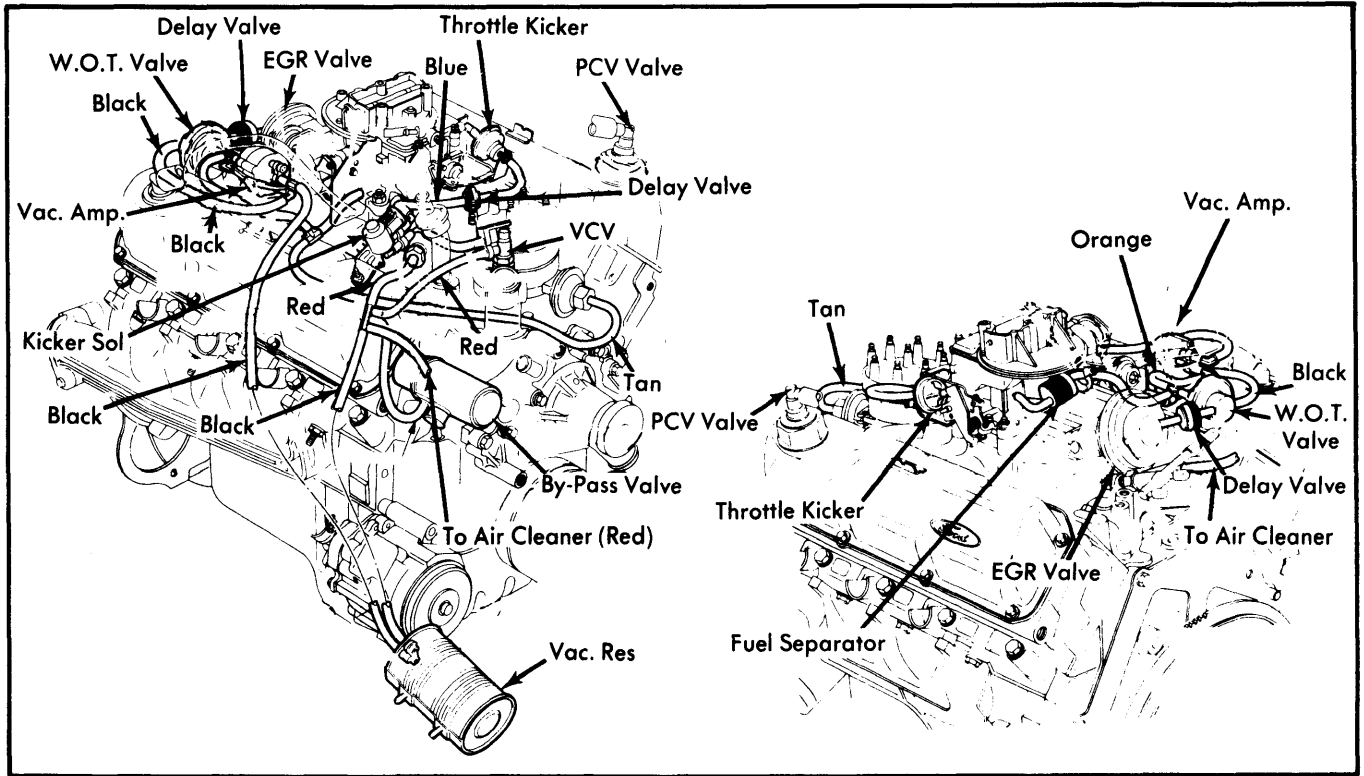


Fig. 29 7-71J R0, Man. Trans., Calif., 351M"
(F150, 250, 350 - 4x2 & 4x4)

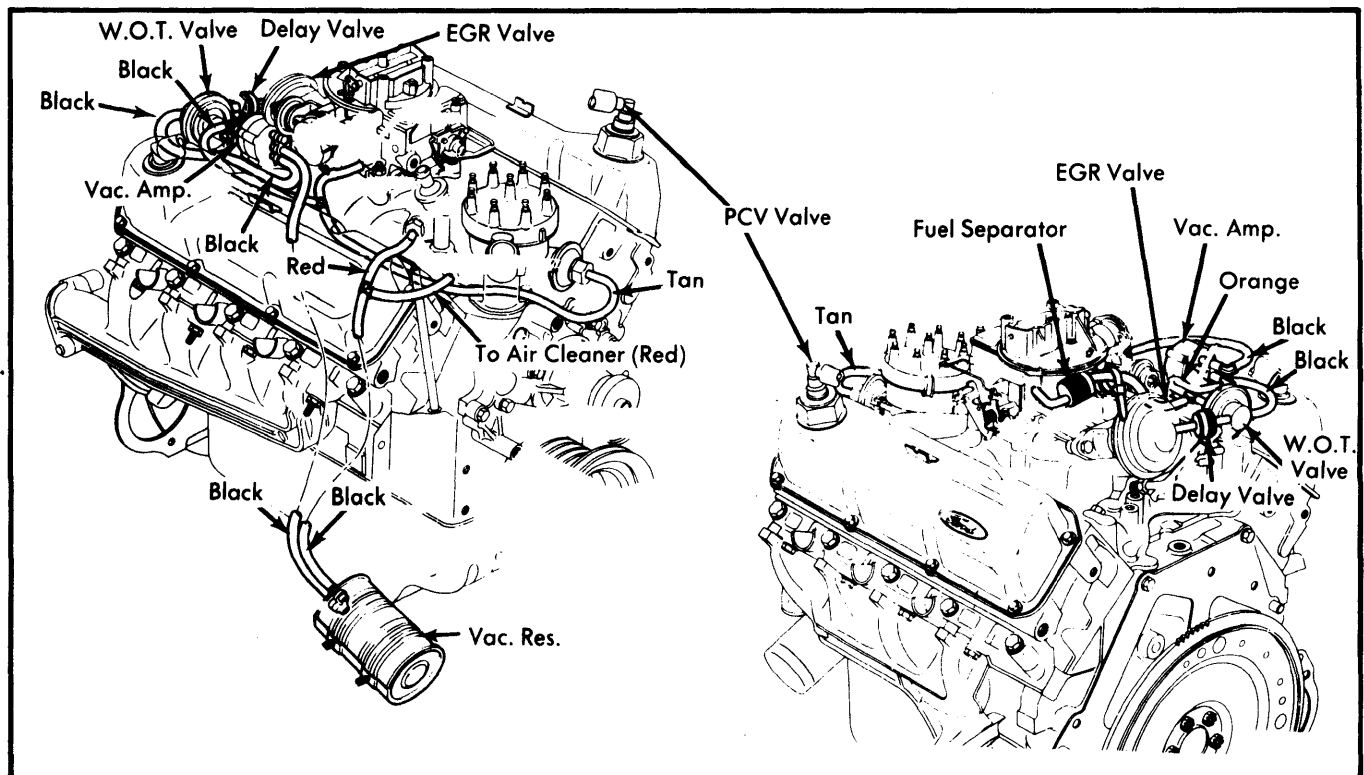


Fig. 30 7-72 R0, Auto. Trans., Federal, 351M"
(F150, 250, 350 - 4x2 & 4x4)

1975-79 EXHAUST EMISSION SYSTEMS

1977 Ford Motor Co. Vacuum Diagrams (Cont.)

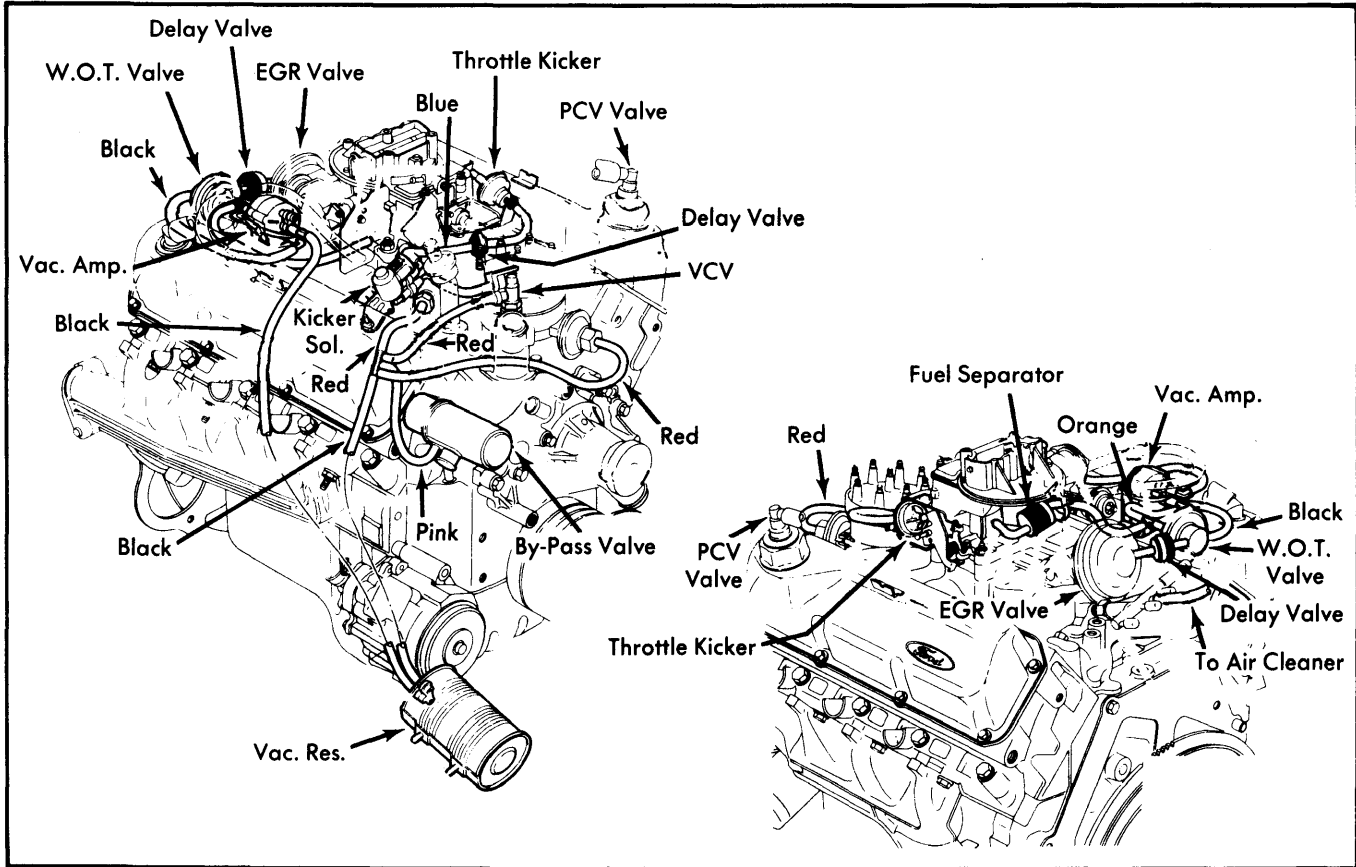


Fig. 31 7-72J R0, Auto. Trans., Calif., 351M"
(F150, 250, 350 - 4x2 & 4x4)

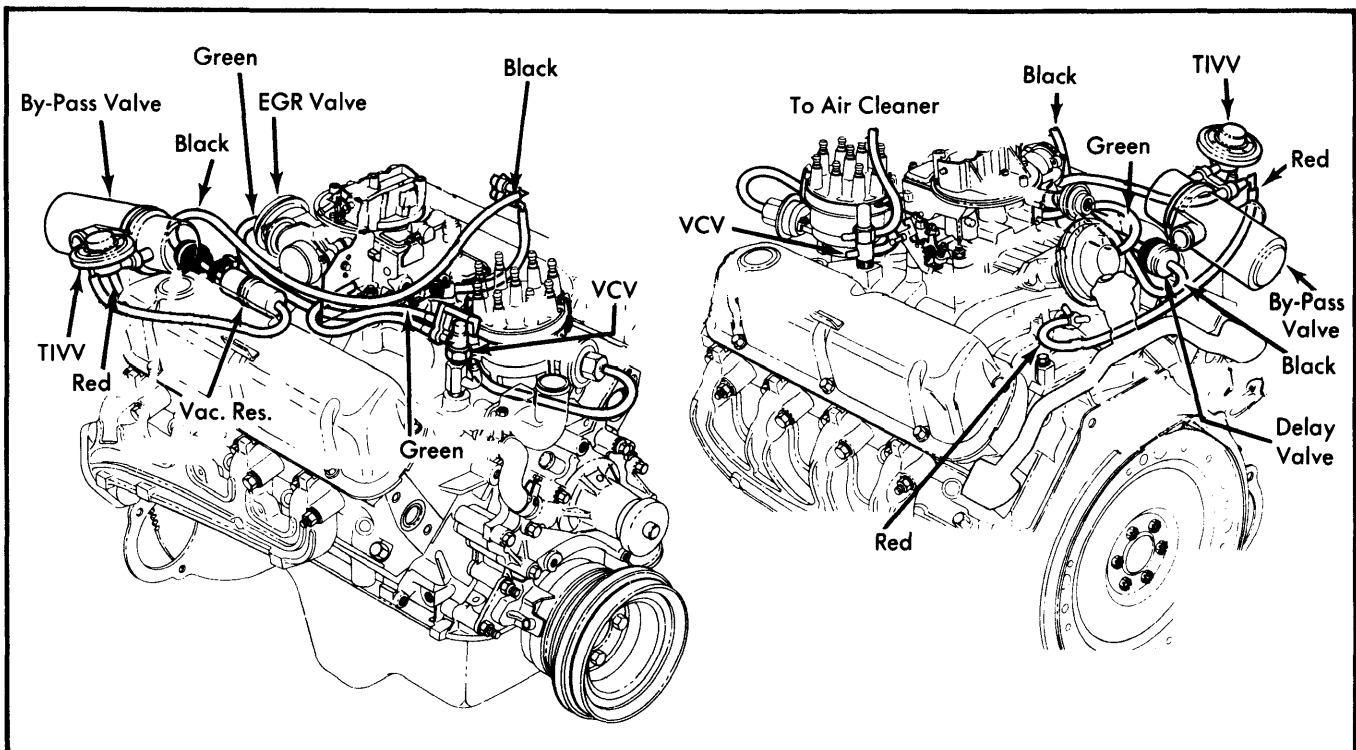


Fig. 32 7-64G R0, Man. Trans., Federal, 351W" (E100)

1975-79 EXHAUST EMISSION SYSTEMS

1977 Ford Motor Co. Vacuum Diagrams (Cont.)

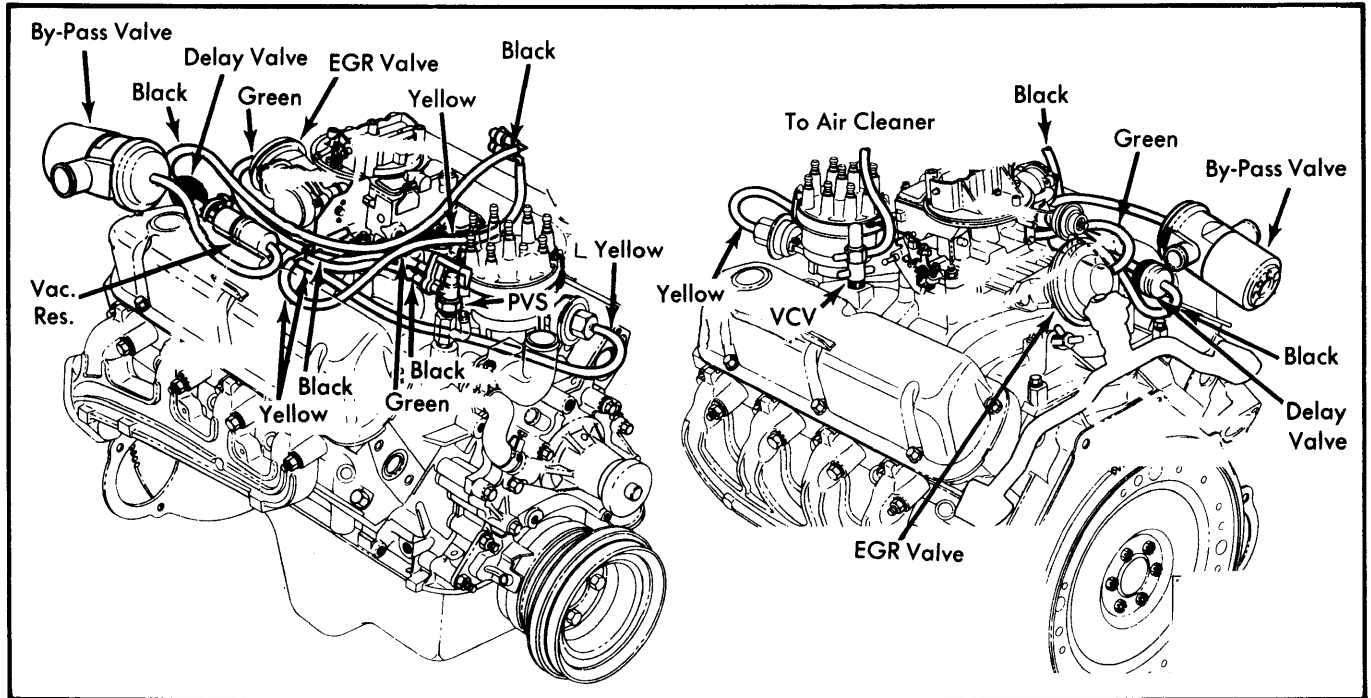


Fig. 33 7-65U R1, Auto. Trans., Calif., 351W" (E100)

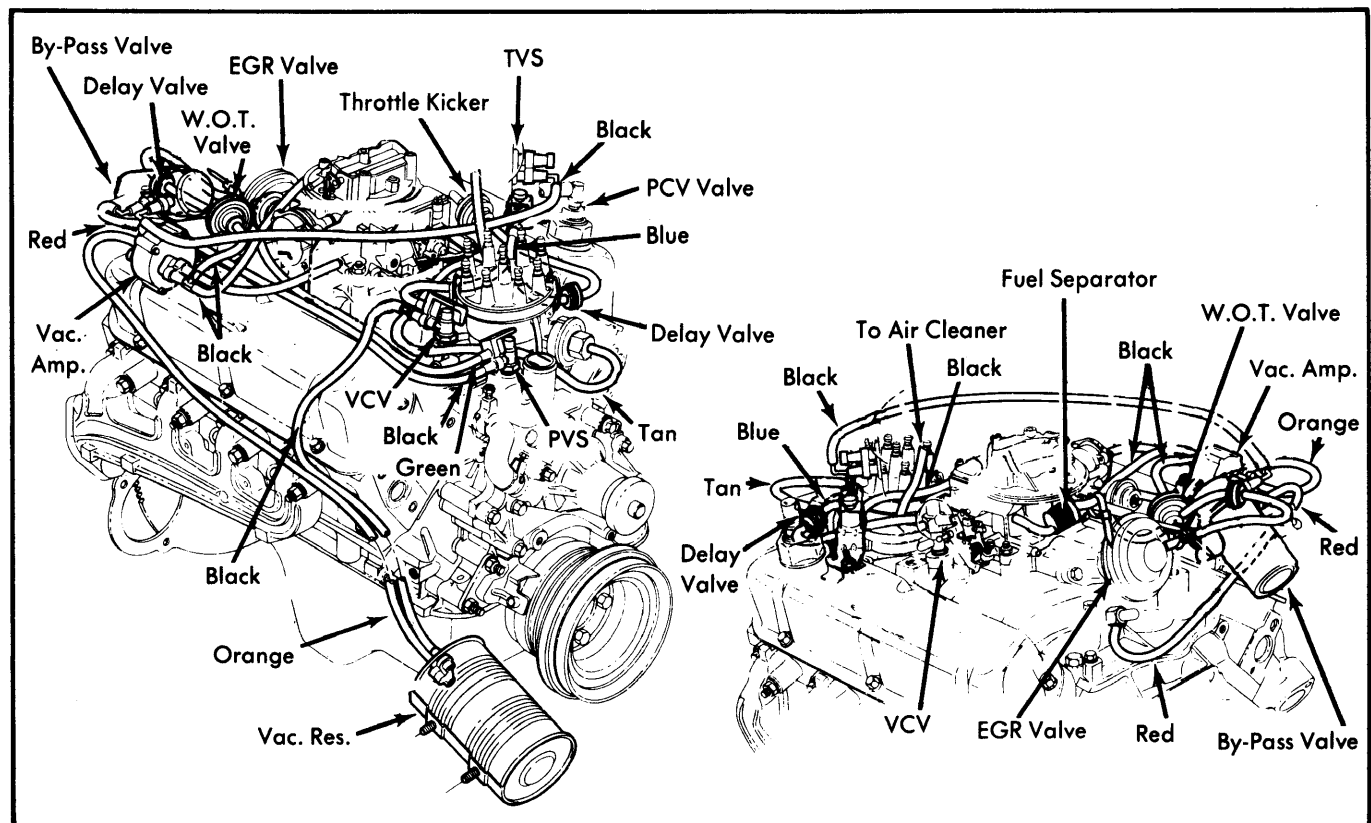


Fig. 34 7-76J R0, Auto. Trans., Calif., 351W" (E150, 250, 350)

1975-79 EXHAUST EMISSION SYSTEMS

1977 Ford Motor Co. Vacuum Diagrams (Cont.)

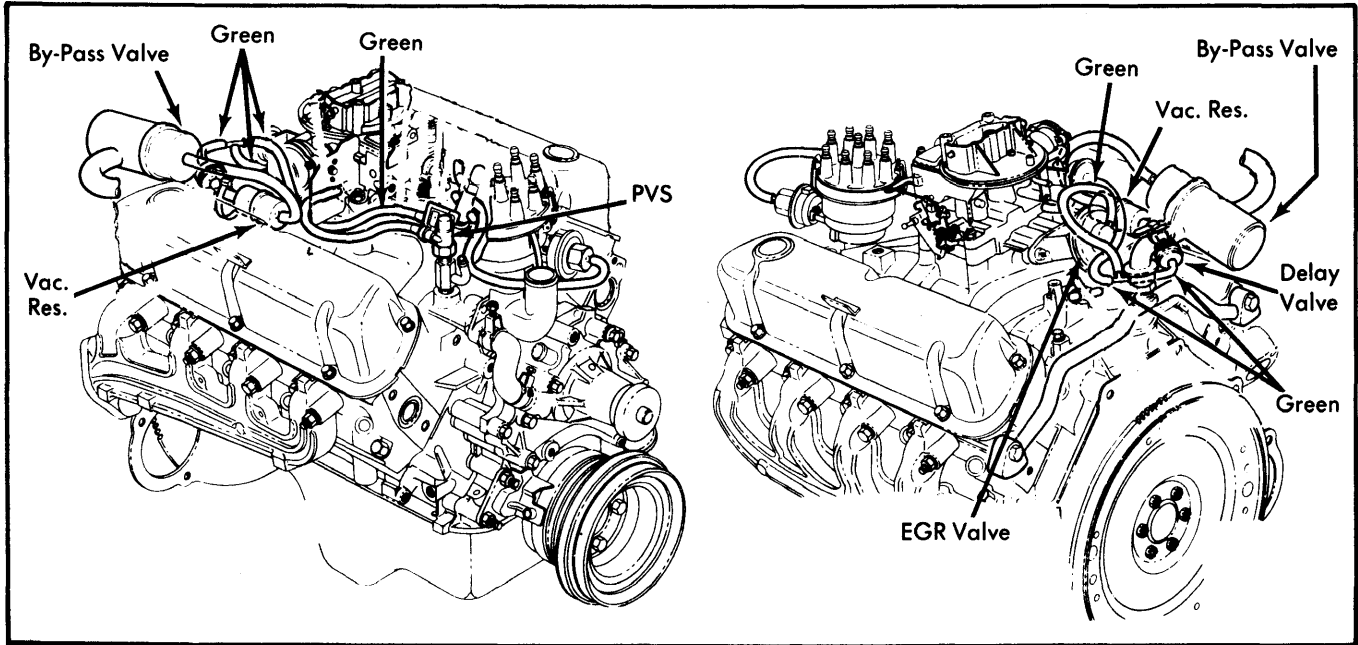


Fig. 35 7-65G R0, Auto. Trans., Fed. & Canada, 351W" (E100)

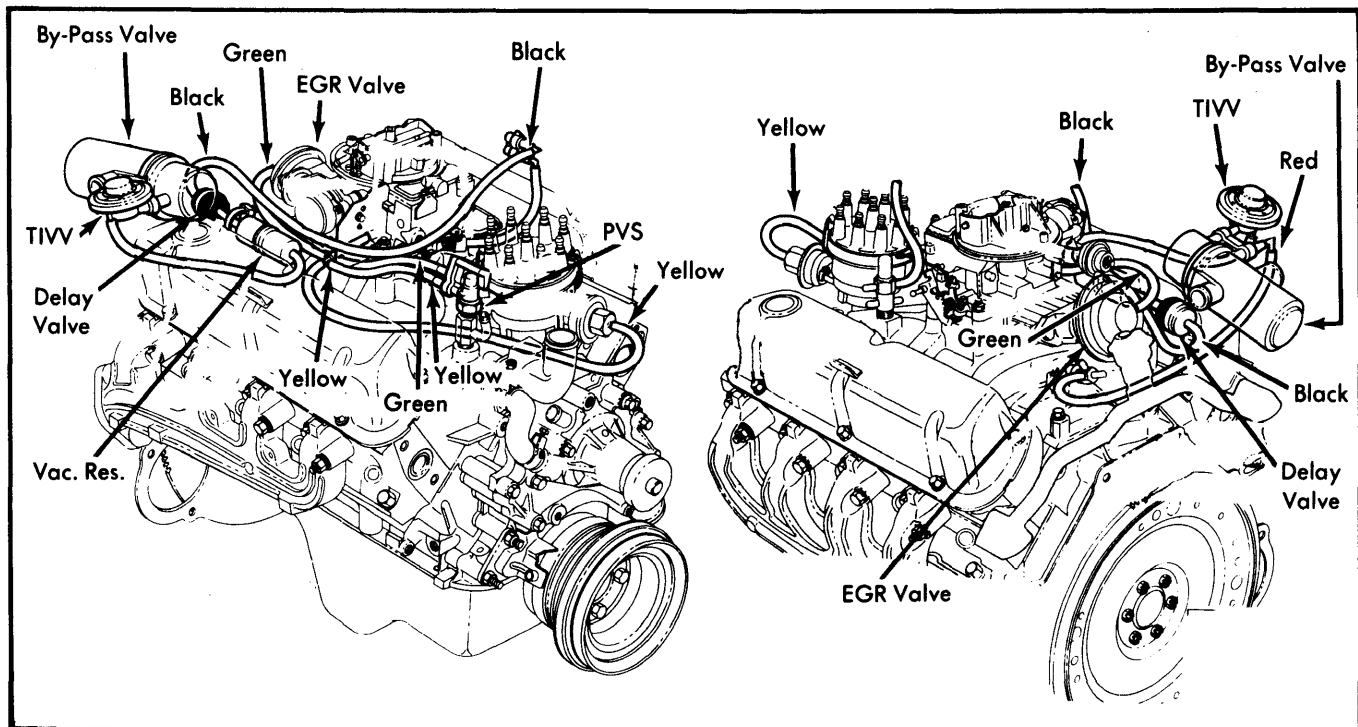


Fig. 36 7-64U R0, Man. Trans., Calif., 351W" (E100)

1975-79 EXHAUST EMISSION SYSTEMS

1977 Ford Motor Co. Vacuum Diagrams (Cont.)

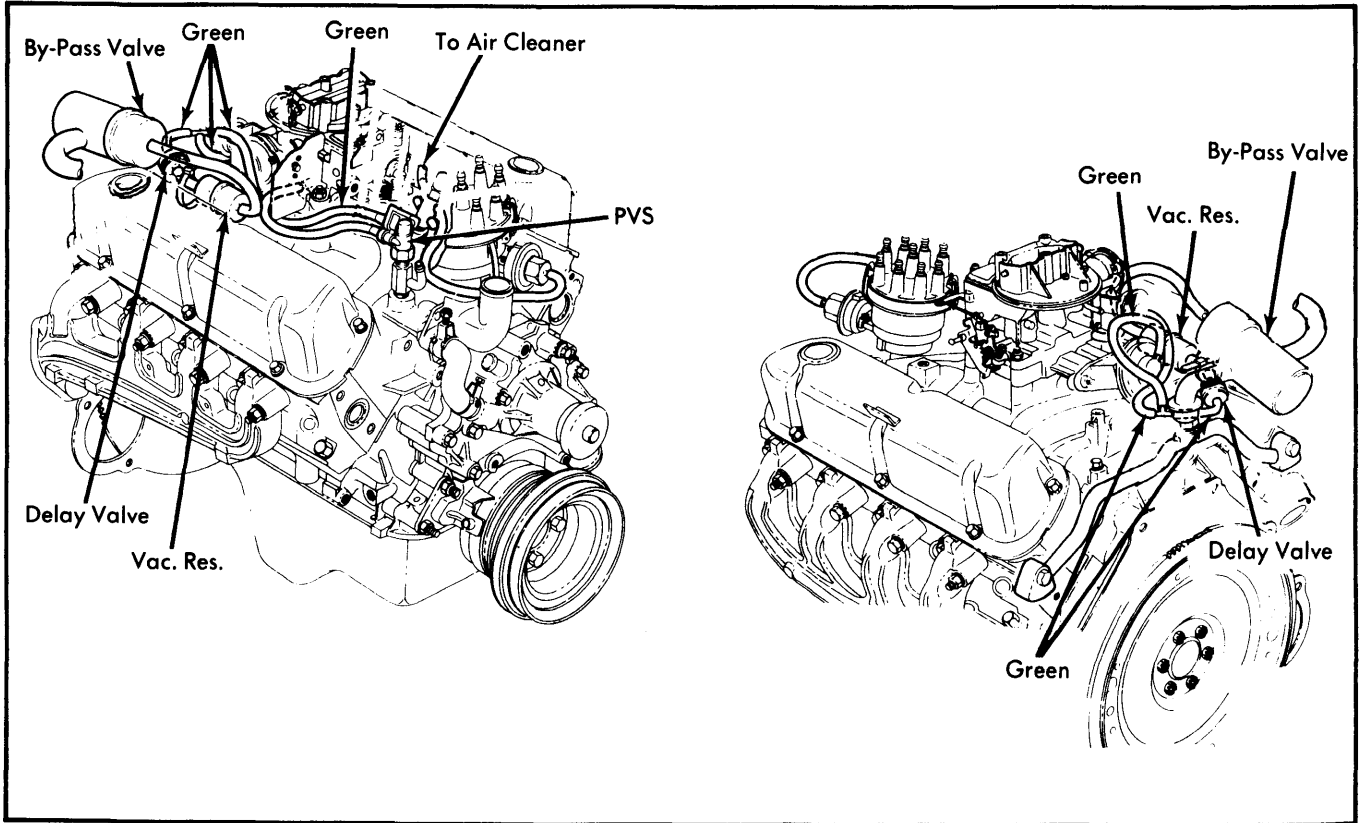


Fig. 37 7-65H R0, Auto. Trans., Fed. & Canada, 351W" (E100)

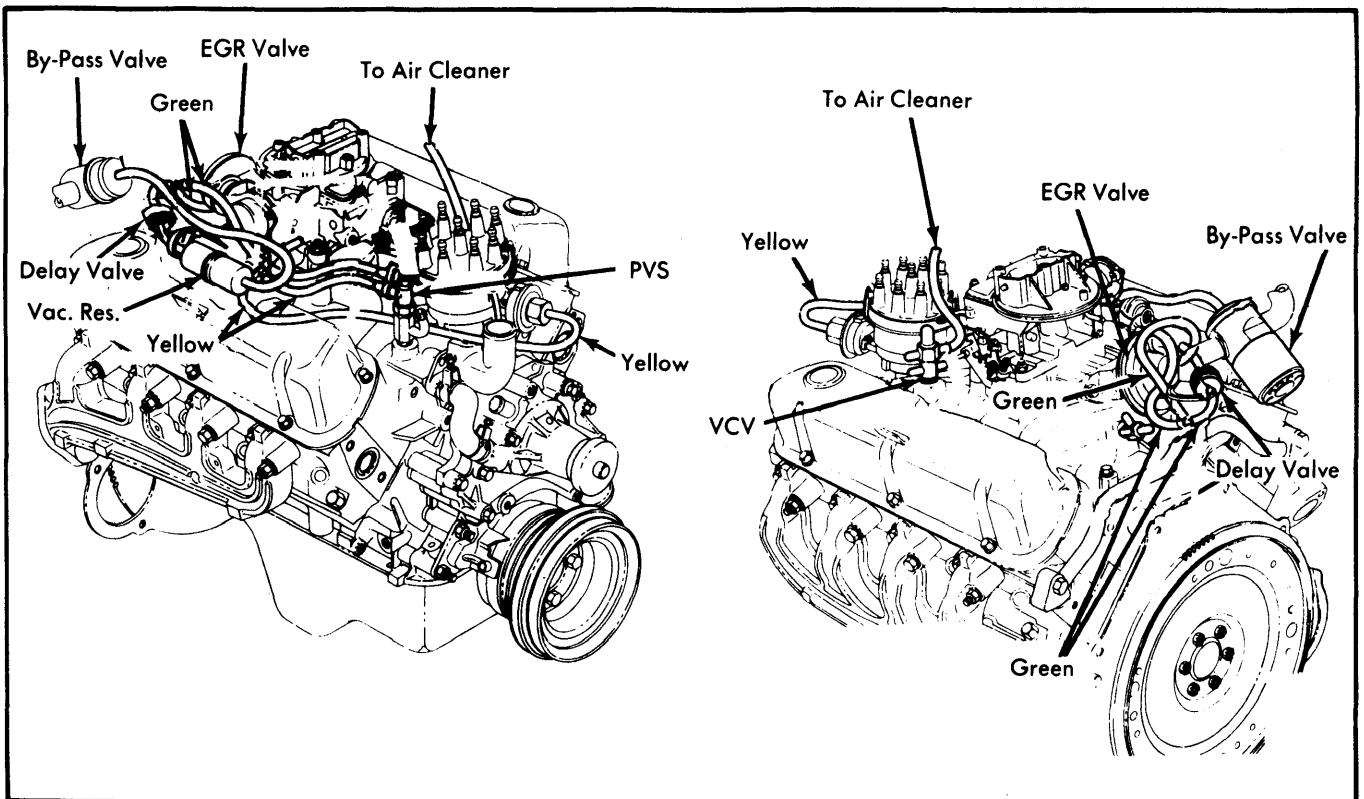


Fig. 38 7-65U R0, Auto. Trans., Calif., 351W" (E100)

1975-79 EXHAUST EMISSION SYSTEMS

1977 Ford Motor Co. Vacuum Diagrams (Cont.)

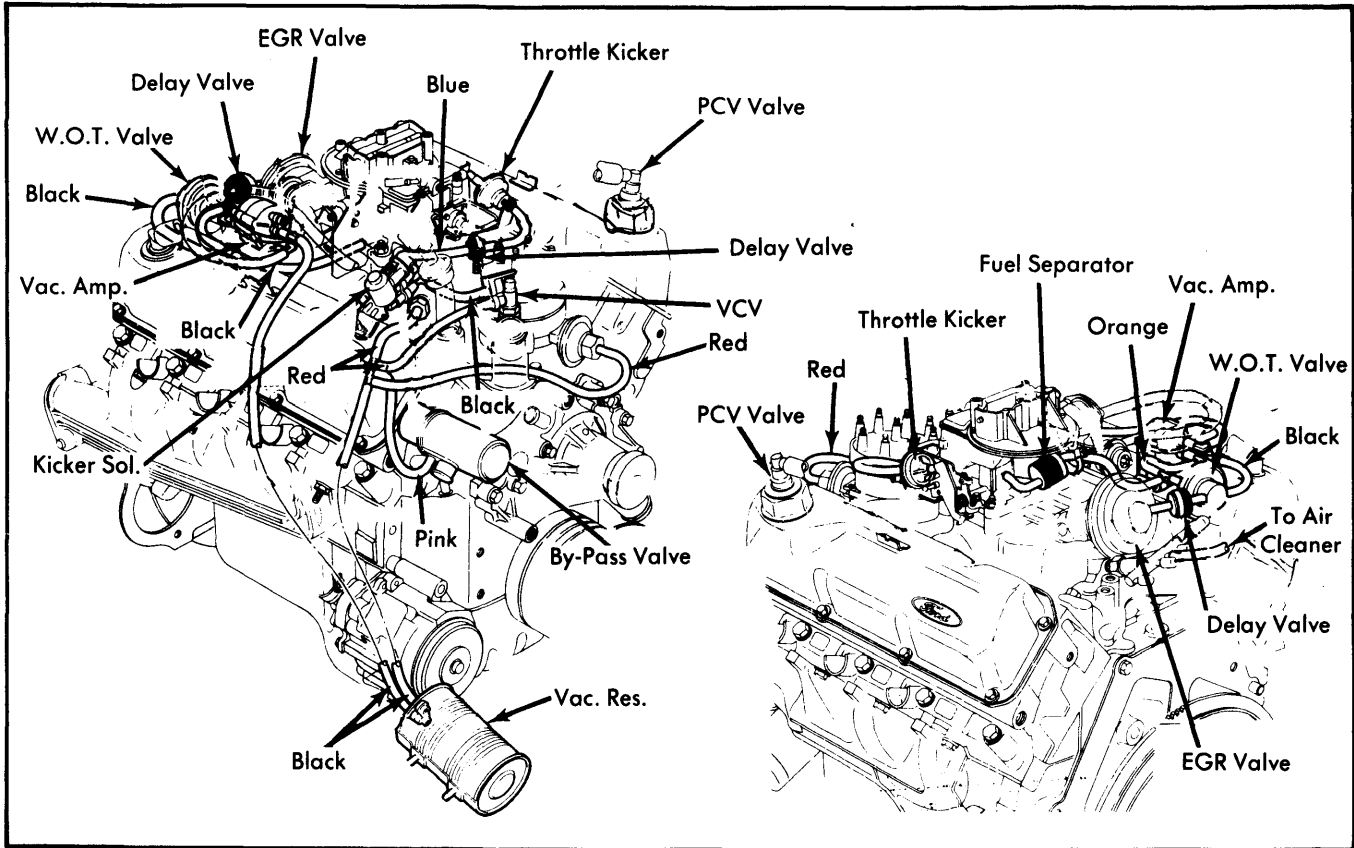


Fig. 39 7-74J R0, Auto. Trans., Calif., 400"
(F150, 250, 350 - 4x2 & 4x4)

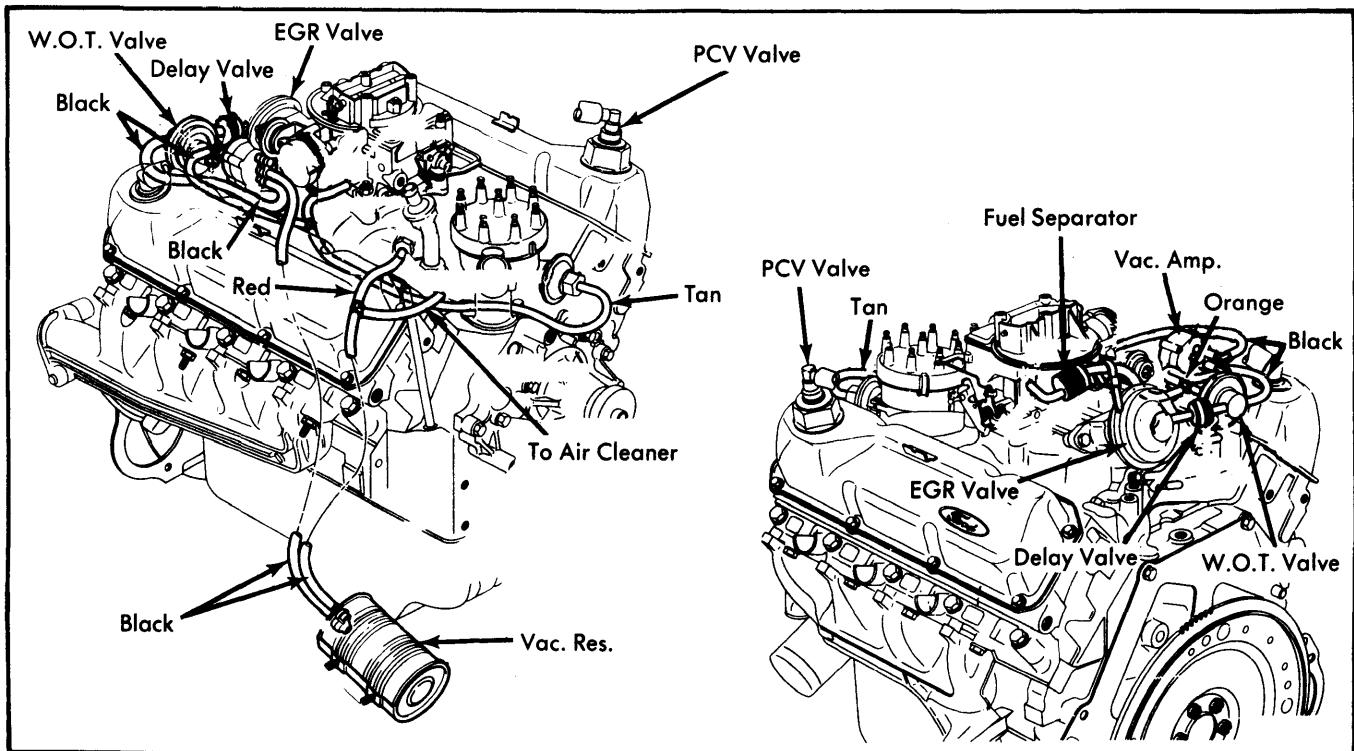


Fig. 40 7-74 R0, Auto. Trans., Federal, 400"
(F150, 250, 350 - 4x2 & 4x4)

1975-79 EXHAUST EMISSION SYSTEMS

1977 Ford Motor Co. Vacuum Diagrams (Cont.)

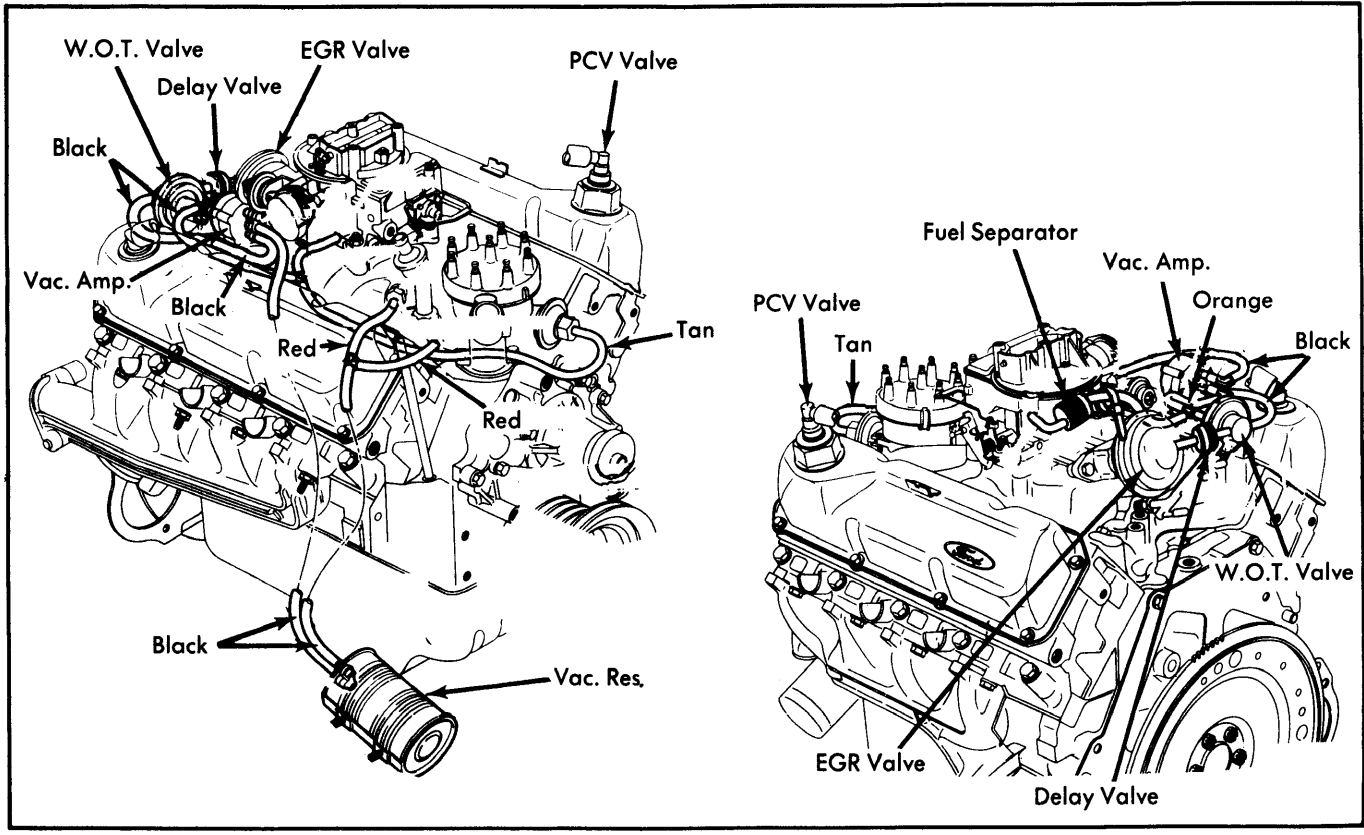


Fig. 41 7-73 R0, Man. Trans., Federal, 400"
(F250, 350 - 4x2 & 4x4)

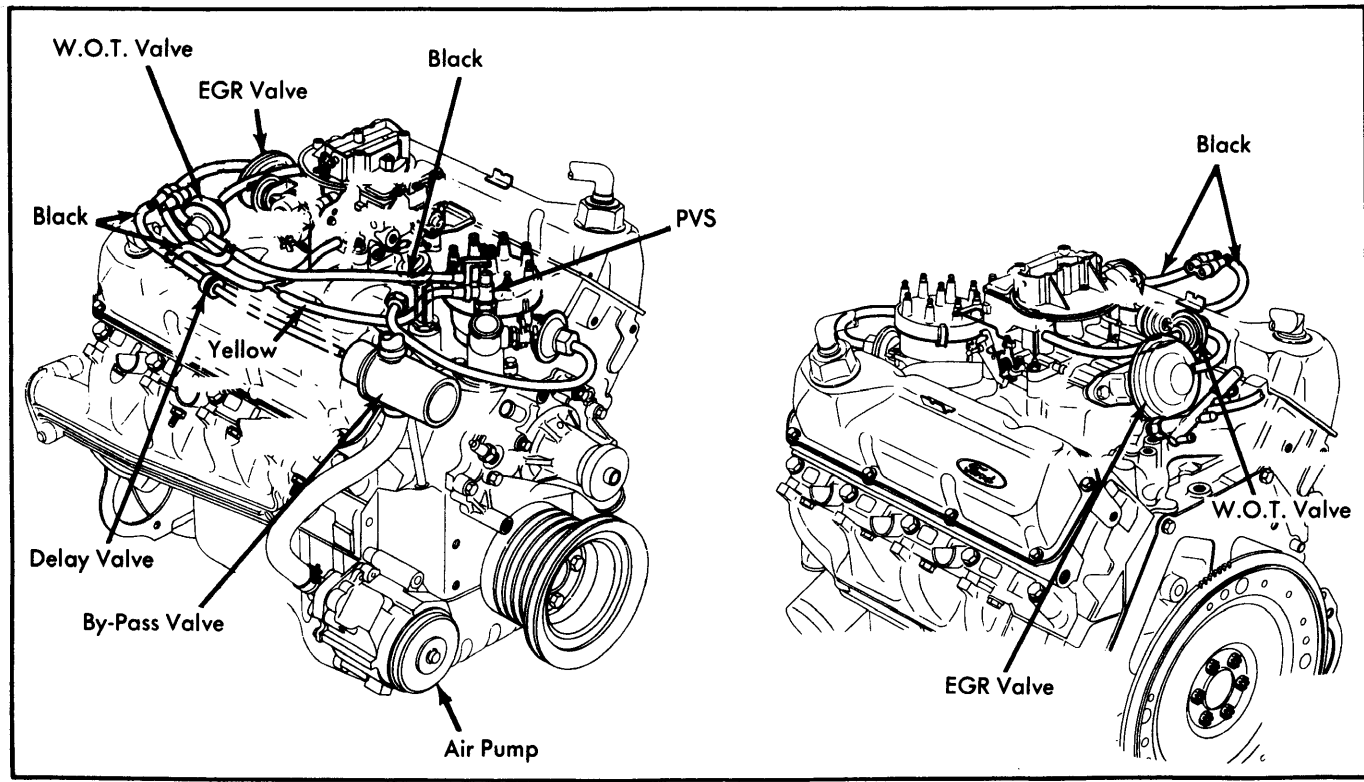


Fig. 42 7-62G R0, Auto. Trans., Federal, 400" (F100)

1975-79 EXHAUST EMISSION SYSTEMS

1977 Ford Motor Co. Vacuum Diagrams (Cont.)

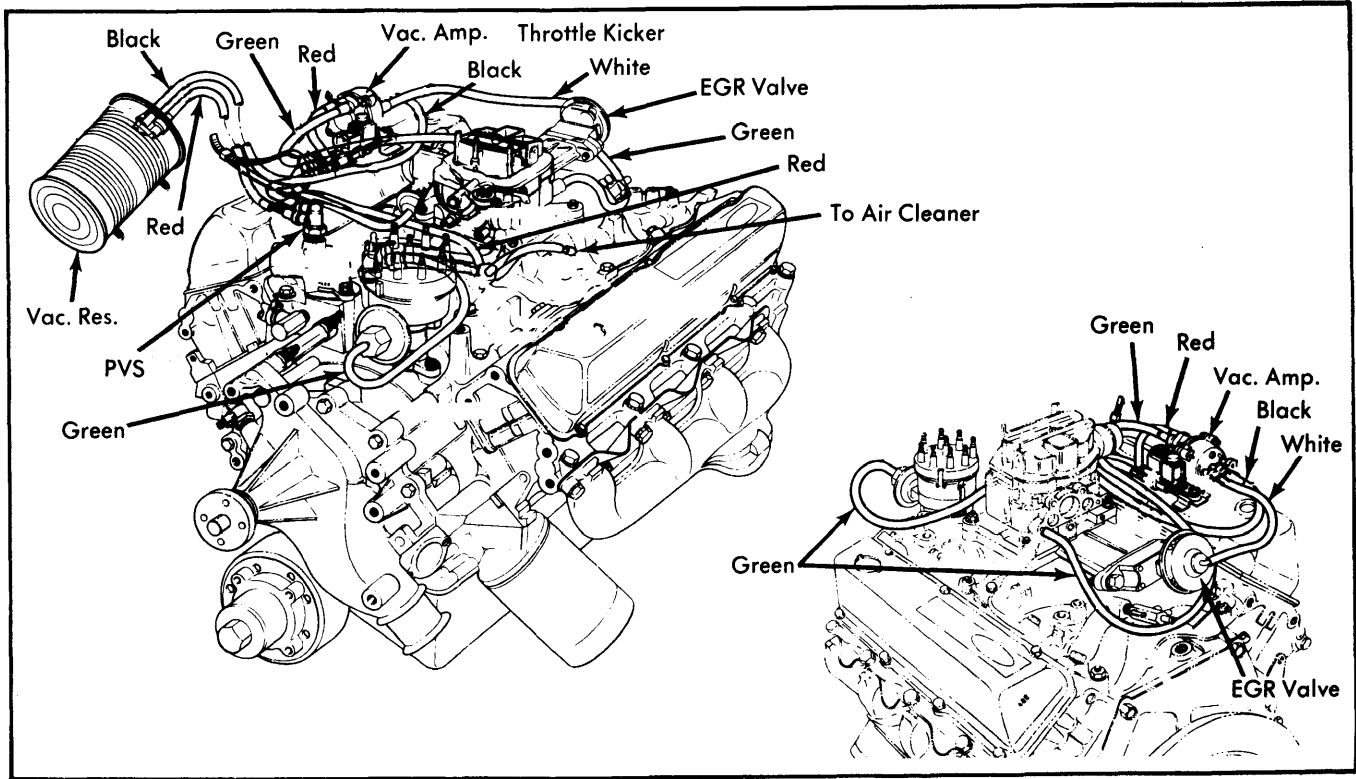


Fig. 43 7-97J R0, Auto. Trans., Calif., 460" (E250, 350)

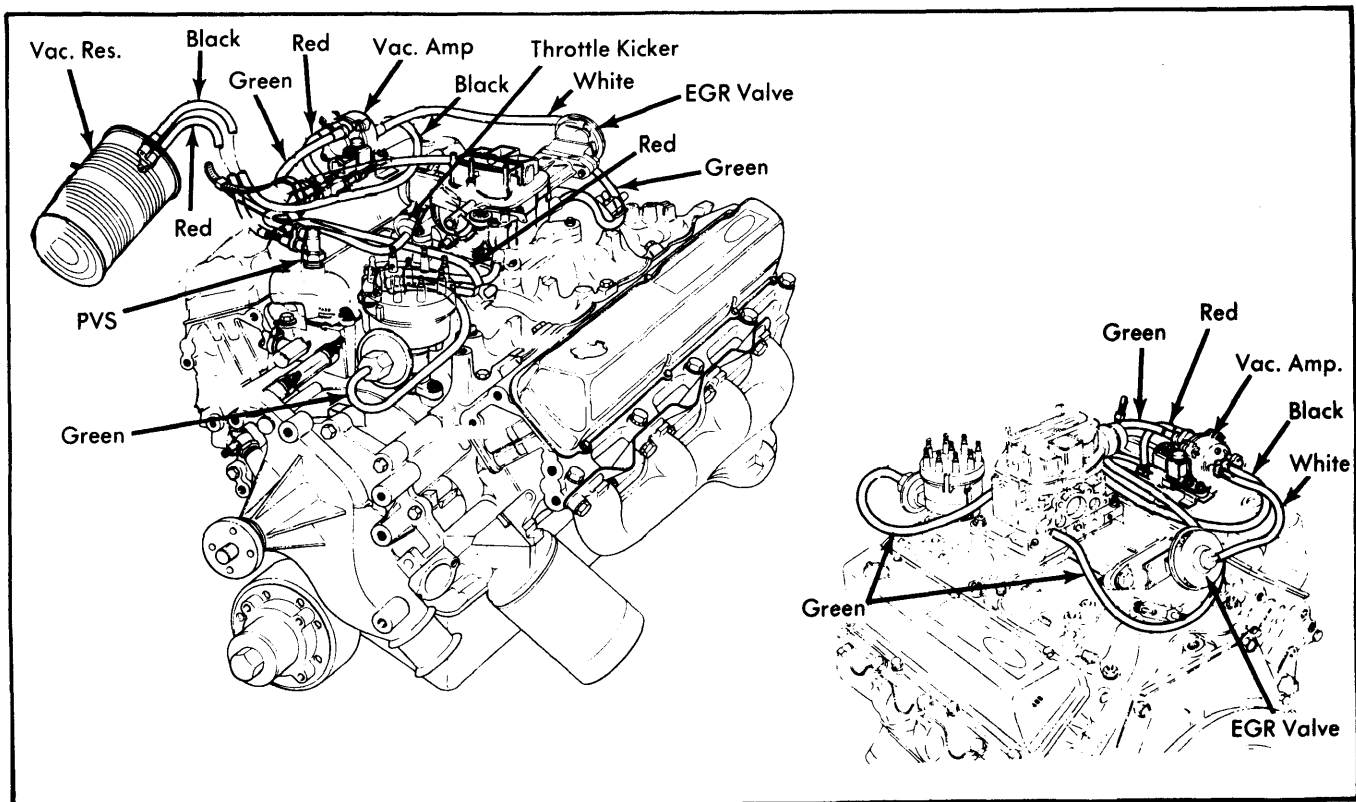


Fig. 44 7-97J R0, Auto. Trans., Calif., A/C, 460" (F150, 250, 350)

1975-79 EXHAUST EMISSION SYSTEMS

1977 Ford Motor Co. Vacuum Diagrams (Cont.)

3-119

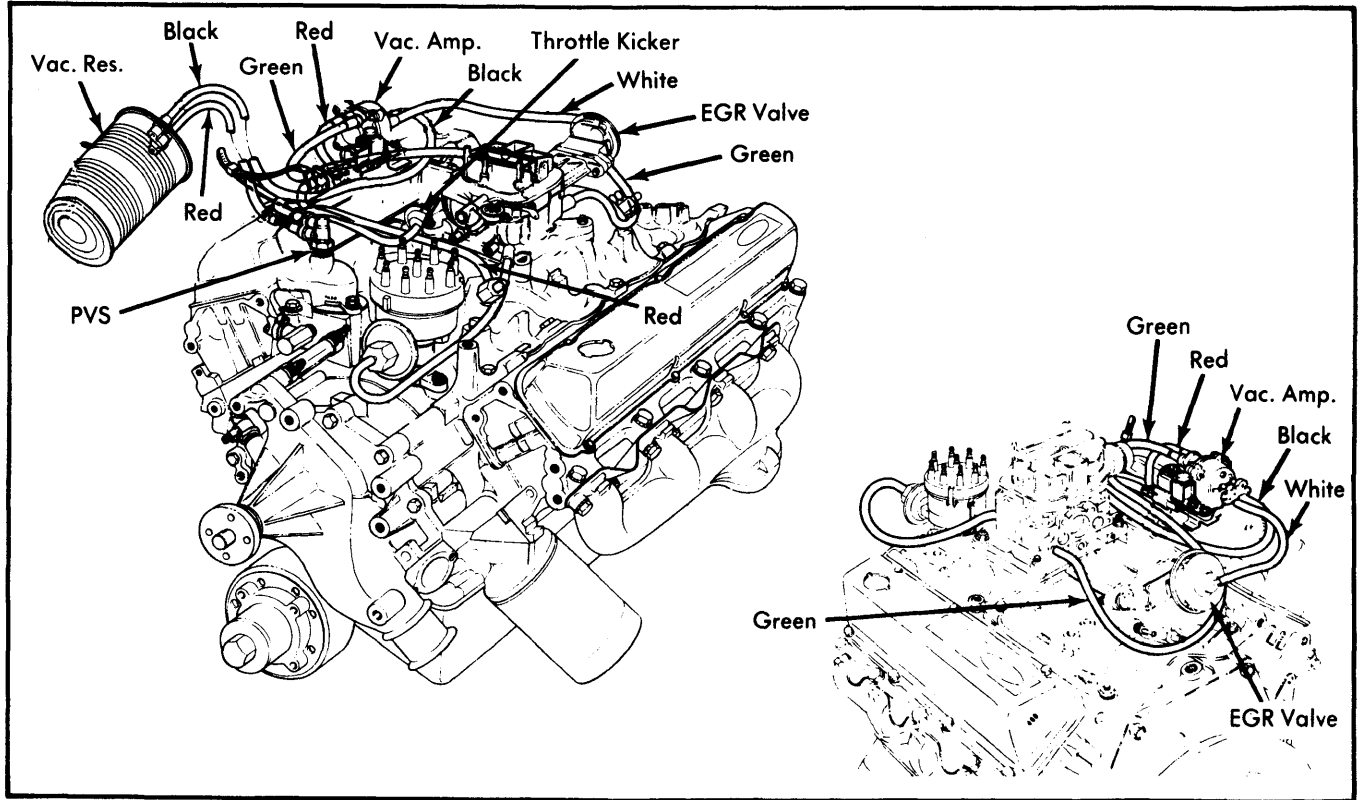


Fig. 45 7-97J R0, Auto. Trans., Calif., Non-A/C, 460"
(F150, 250, 350)