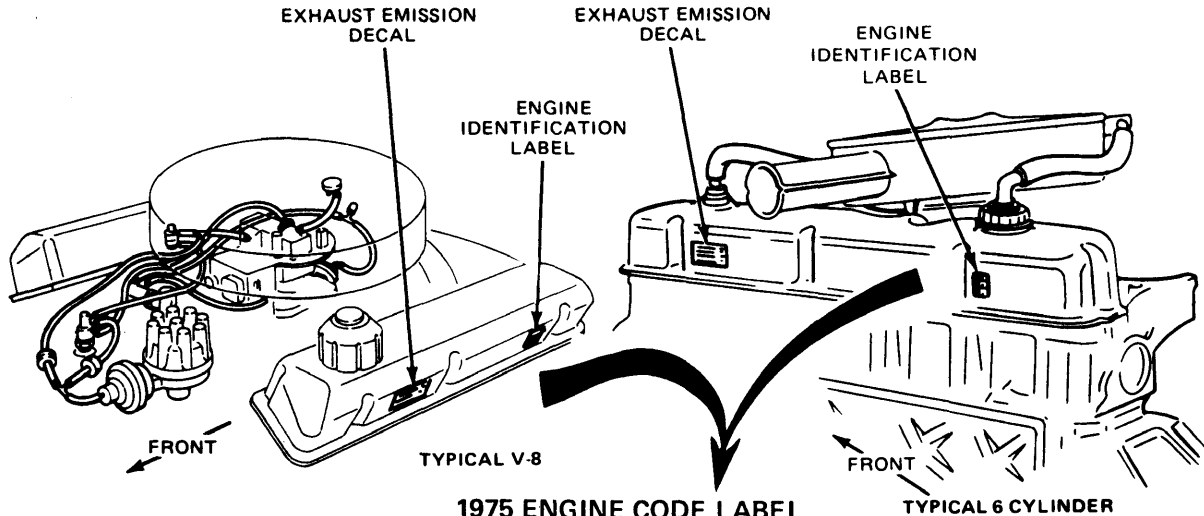


1975-79 EXHAUST EMISSION SYSTEMS

1975 Ford Motor Co. Vacuum Diagram Index

To find correct vacuum diagram usage, refer to engine identification label (not colored exhaust emission decal). Label is located at rear of left rocker cover on V8 engines and on left side rear on six cylinder engines. Determine calibration and

revision (see illustration). Using following table; match model, engine, transmission, calibration and revision level to determine illustration number of vacuum diagram to be used.



1975 ENGINE CODE LABEL IDENTIFICATION CHART

POS. 1 (YR.)	50 STATE	49 STATE	CALIFORNIA CODING)		
0	0	A	L	<div style="border: 1px solid black; padding: 5px; text-align: center;"> BASE (DISPLACEMENT) (VEHICLE APPLICATION) (INERTIA WEIGHT) (AXLE RATIO) (TRANSMISSION) </div>	<ul style="list-style-type: none"> A - AIR-CONDITIONING B - NON AIR/CONDITIONING C - INDUSTRIAL & MARINE D - EXPORT E - OVER 6000 LBS/NON THERM F - THERMACTOR WITHOUT A/C G - A/C OR NON A/C ENGINES H - POWER STEERING J - THERMACTOR WITH A/C K - THERMACTOR A/C OR NON A/C
1	1	B	M		
2	2	C	N		
3	3	D	P		
4	4	E	R		
5	5	F	S		
6	6	G	T		
7	7	H	U		
8	8	J	W		
9	9	K	X		

ENGINE BUILD DATE

DENOTES PLANT SOURCED TO PRODUCE ENGINES

D	-	DEARBORN ENGINE PLANT
L	-	LIMA ENGINE PLANT
C1	-	CLEVELAND ENGINE PLT 1
C2	-	CLEVELAND ENGINE PLT 2
W1	-	WINDSOR ENGINE PLT 1
W2	-	WINDSOR ENGINE PLT 2

C 2 EK526AAU T C 14E

A	B	C	D	E	F	G	H	J	K	L	M
1	2	3									
1	2	3	4	5	6	7	8	9	0	400	3°
											S

DESIGN LEVEL A - USED TO INDICATE INITIAL RELEASE FOR 1975

CALIB & REVISION LEVEL A - USED TO INDICATE INITIAL RELEASE FOR 1975

(PLANT OPTION) DENOTES CARB & DIST USED ON ENGINE

CALIBRATION NUMBER

REVISION LEVEL

SERVICE LEVEL (CONTROLLED BY INDIVIDUAL PLANTS)

INITIAL TIMING (PLANT OPTION)

RPM SETTING (PLANT OPTION)

1975 ENGINE CODE LABEL

1975-79 EXHAUST EMISSION SYSTEMS

1975 Ford Motor Co. Vacuum Diagram Index (Cont.)

FORD VACUUM SYSTEM DIAGRAMS				
Vehicle	Transmission	Calibration	Revision	Illus. No.
300" 1-Bbl.				
F100 (4-WD) Federal	Man. Trans.	5-51G	R-4	1
F100 (4-WD) Federal	Man. Trans.	5-51H	R-0	2
F100 California	Man. Trans.	5-51U	R-2	1
F100 Federal	Auto. Trans.	5-52K	R-1	3
E100 Federal	Man. Trans.	5-51L	R-0	3
E100 California	Man. Trans.	5-51Y	R-0	4
E100 Federal	Auto. Trans.	5-52G	R-1	5
E100 California	Auto. Trans.	5-52U	R-0	5
E100 California	Auto. Trans.	5-52V	R-0, R-1	6
302" 2-Bbl.				
F100 Federal	Man. Trans.	5-53G	R-1	7
F100 California	Man. Trans.	5-53H	R-1	8
F100 Federal	Auto. Trans.	5-54G	R-2	9
U100 (Bronco) Federal	Man. Trans.	5-53L	R-1	7
U100 (Bronco) Federal	Auto. Trans.	5-54L	R-1	7
U100 (Bronco) Federal	Auto. Trans.	5-54M	R-0	8
360" 2-Bbl.				
F100 (2 & 4-WD) Federal	Man. Trans.	5-55G	R-0, R-1	10
F100 Federal	Man. Trans.	5-55J	R-0	11
F100 (2 & 4-WD) California	Man. Trans.	5-55U	R-0, R-1	12
F100 (2 & 4-WD) Federal	Auto. Trans.	5-56A	R-6, R-9	13
F100 (2 & 4-WD) Federal	Auto. Trans.	5-56A	R-6, R-9	11
F100 (4-WD) Federal	Auto. Trans.	5-56C	R-0	14
F100 (4-WD) Federal W/AC	Auto. Trans.	5-56C	R-0	15
F100 (2 & 4-WD) California	Auto. Trans.	5-56U	R-7, R-8	16
F100 (2 & 4-WD) California	Auto. Trans.	5-56U	R-7, R-8	17
390" 2-Bbl.				
F100 (2-WD) Federal	Auto. Trans.	5-58A	R-0, R-3	18
F100 (2-WD) Federal	Auto. Trans.	5-58A	R-0, R-3	19
F100 (2-WD) California	Auto. Trans.	5-58U	R-0, R-1	20

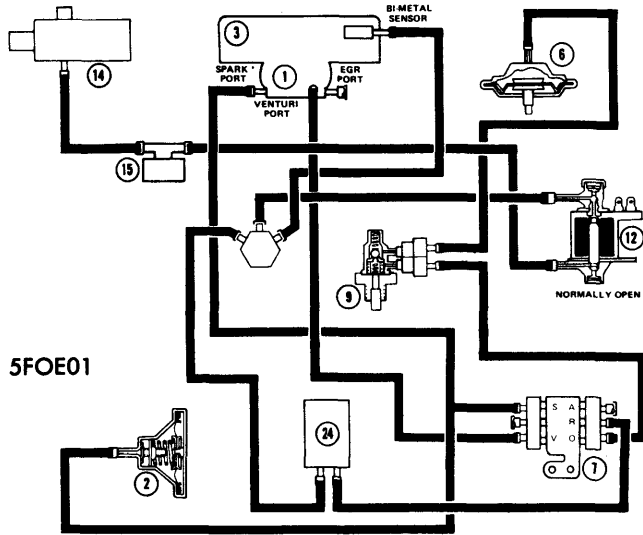
NOTE: Also see LATEST CHANGES & CORRECTIONS section of this manual. Some 1975 calibrations/vacuum system diagrams have been added or revised. Look for 1975 FORD MOTOR CO.: VACUUM DIAGRAM CORRECTIONS, REPLACEMENT & ADDITIONS heading and use 1975 REVISED FORD VACUUM SYSTEMS DIAGRAMS chart and/or vacuum system diagrams.

Tariffed numbers on Vacuum Diagrams are decoded as follows:

- | | |
|------------------------------|--|
| 1 - Carburetor | 13 - Cooling PVS |
| 2 - Distributor | 14 - Thermactor Air By-Pass Valve |
| 3 - Air Cleaner | 15 - Thermactor Differential Vacuum Control Valve |
| 4 - Air Cleaner Duct & Valve | 16 - Thermactor Air Pump |
| 5 - Retard Delay Valve | 17 - Vacuum Solenoid |
| 6 - EGR Valve | 18 - Thermactor Air Supply Check Valve |
| 7 - Venturi Vacuum Amplifier | 19 - Fuel Decel Valve |
| 8 - Vacuum Check Valve | 20 - Low Speed Modulator |
| 9 - EGR PVS | 21 - PCV Valve |
| 10 - Delay Valve | 22 - Exhaust Heat Control Valve |
| 11 - Heat Control Valve PVS | 23 - Exhaust Heat Control Valve Bi-Metal (300" Only) |
| 12 - Vacuum Solenoid | 24 - Vacuum Reservoir |
| | 25 - Fuel Separator |
| | 26 - Fast Idle Speed |

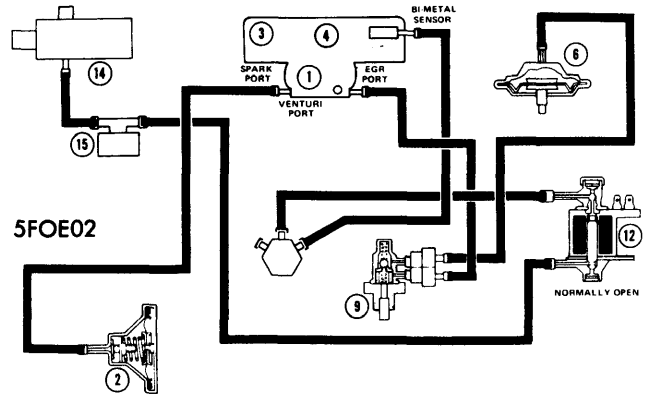
1975-79 EXHAUST EMISSION SYSTEMS

1975 Ford Motor Co. Vacuum Diagrams



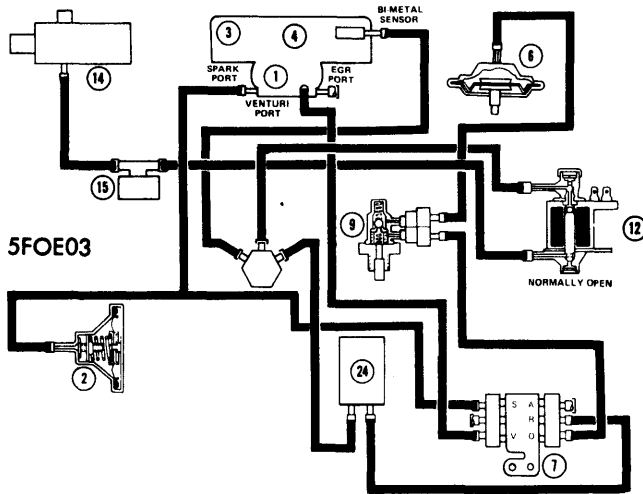
5FOE01

VACUUM DIAGRAM NO. 1



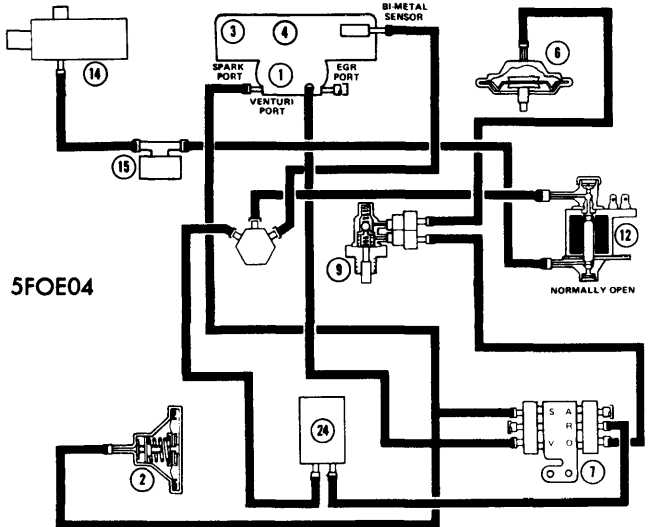
5FOE02

VACUUM DIAGRAM NO. 2



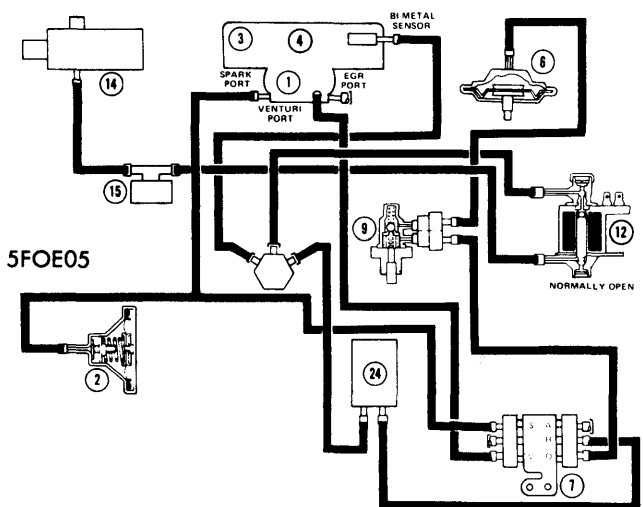
5FOE03

VACUUM DIAGRAM NO. 3



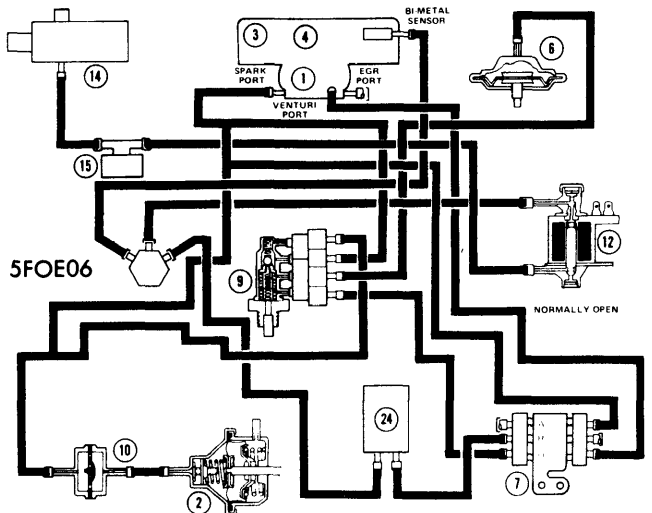
5FOE04

VACUUM DIAGRAM NO. 4



5FOE05

VACUUM DIAGRAM NO. 5

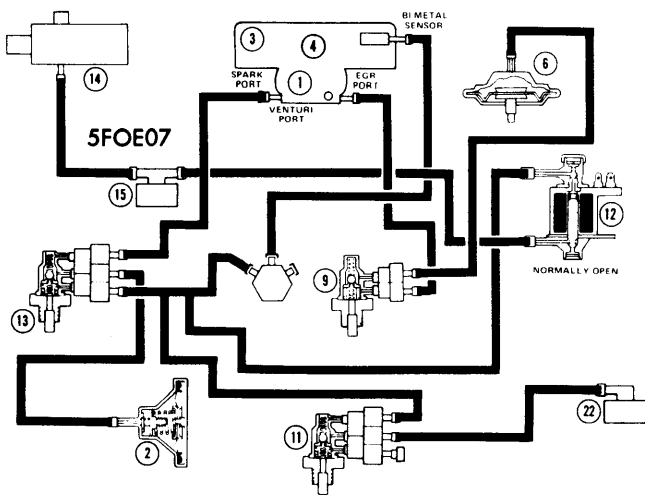


5FOE06

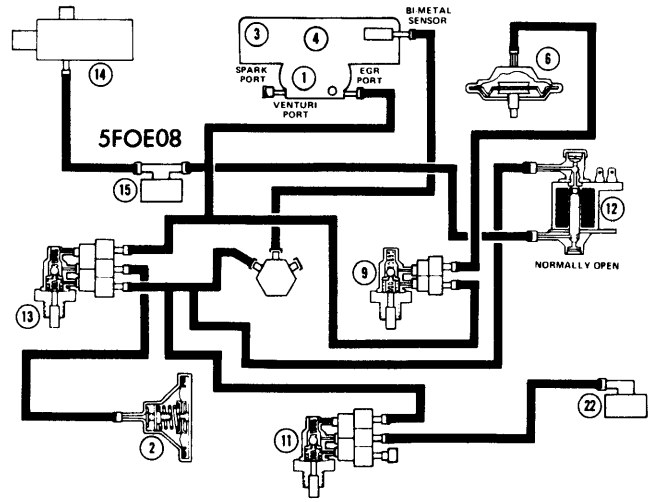
VACUUM DIAGRAM NO. 6

1975-79 EXHAUST EMISSION SYSTEMS

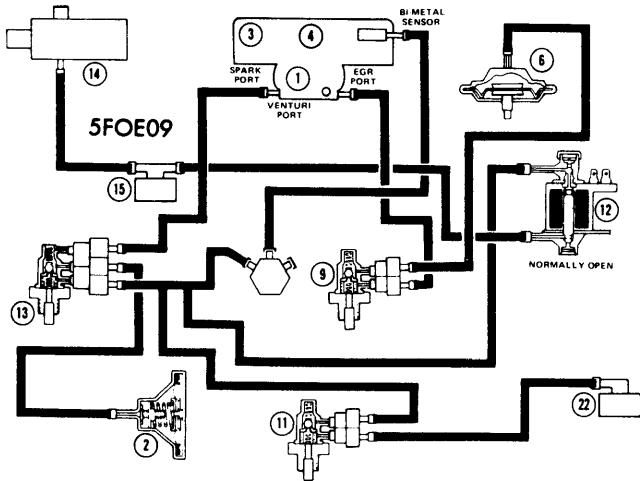
1975 Ford Motor Co. Vacuum Diagrams (Cont.)



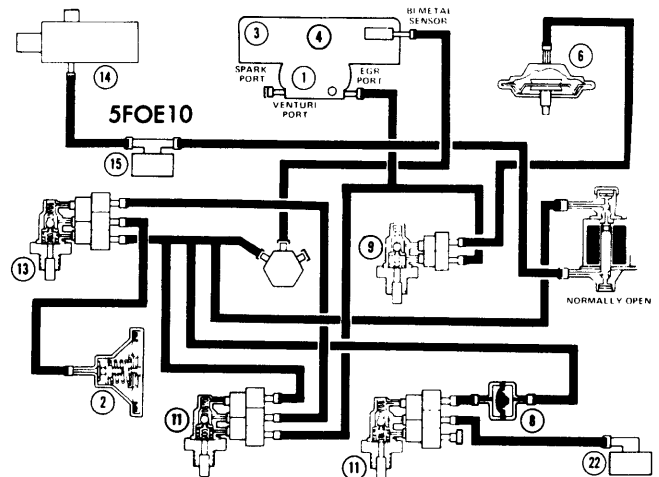
VACUUM DIAGRAM NO. 7



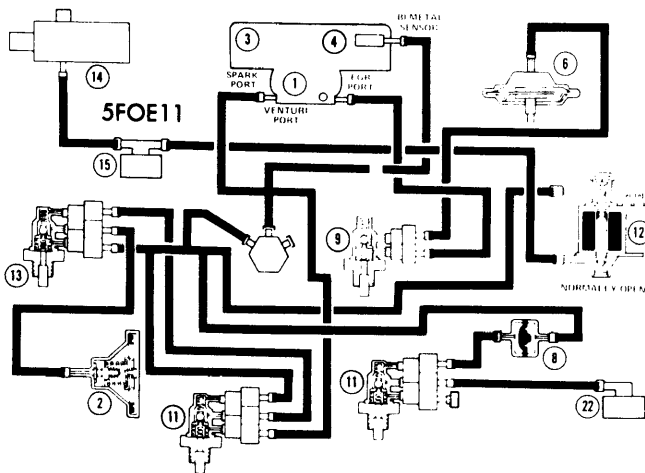
VACUUM DIAGRAM NO. 8



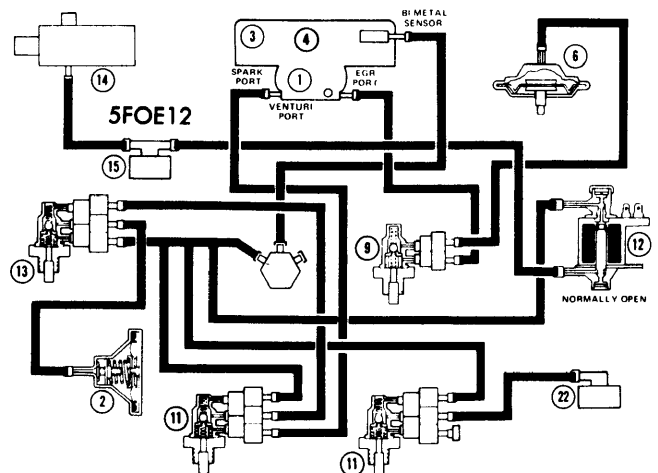
VACUUM DIAGRAM NO. 9



VACUUM DIAGRAM NO. 10



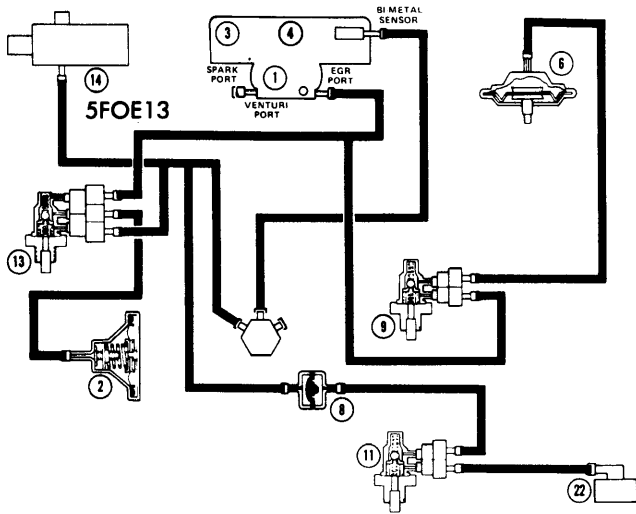
VACUUM DIAGRAM NO. 11



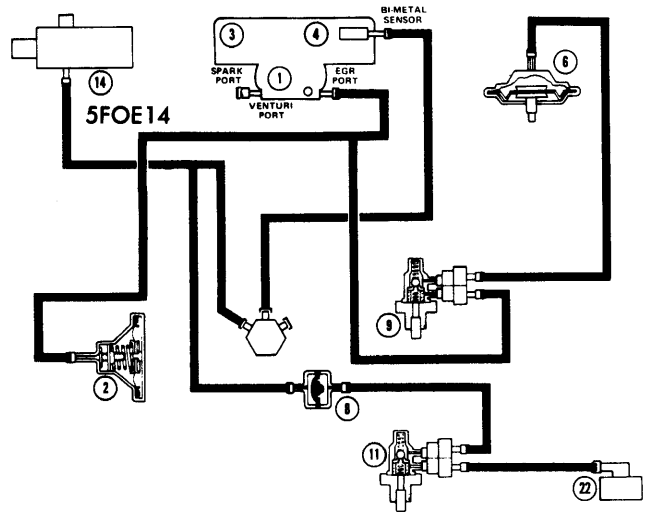
VACUUM DIAGRAM NO. 12

1975-79 EXHAUST EMISSION SYSTEMS

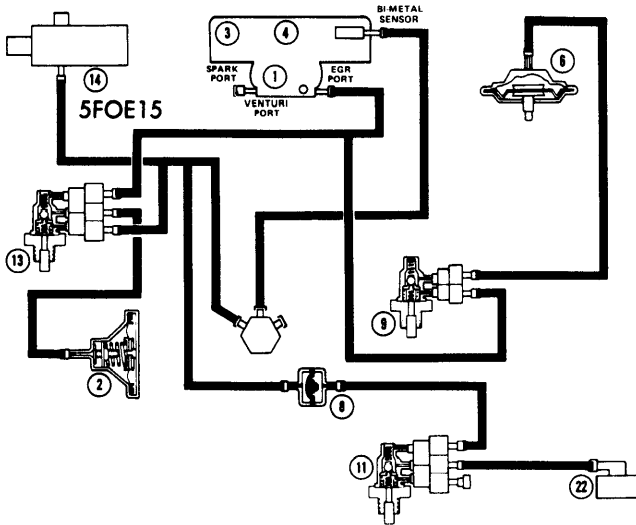
1975 Ford Motor Co. Vacuum Diagrams (Cont.)



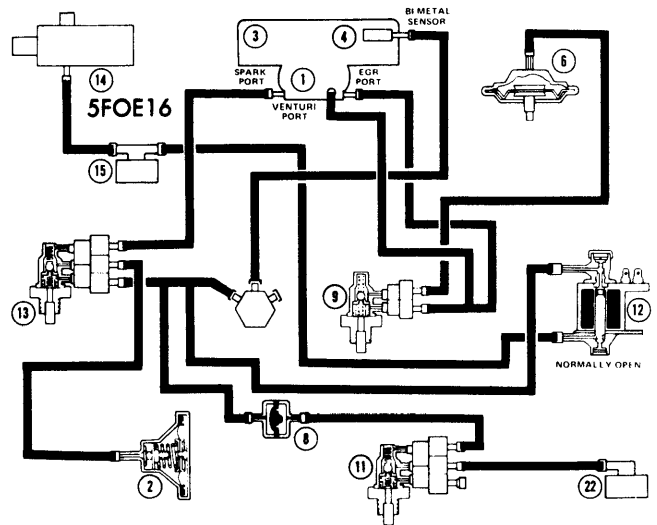
VACUUM DIAGRAM NO. 13



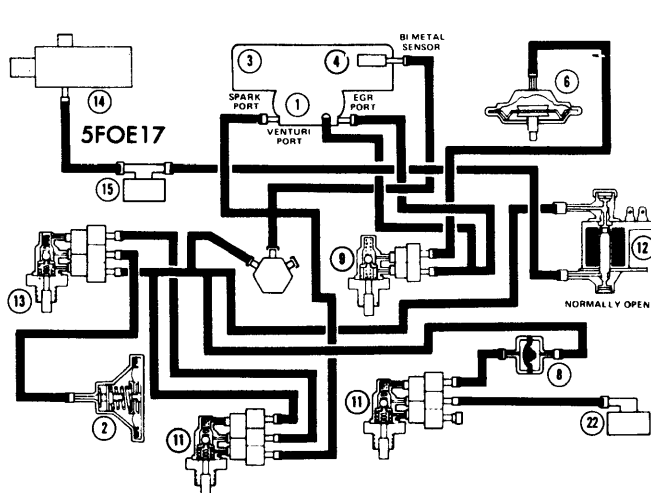
VACUUM DIAGRAM NO. 14



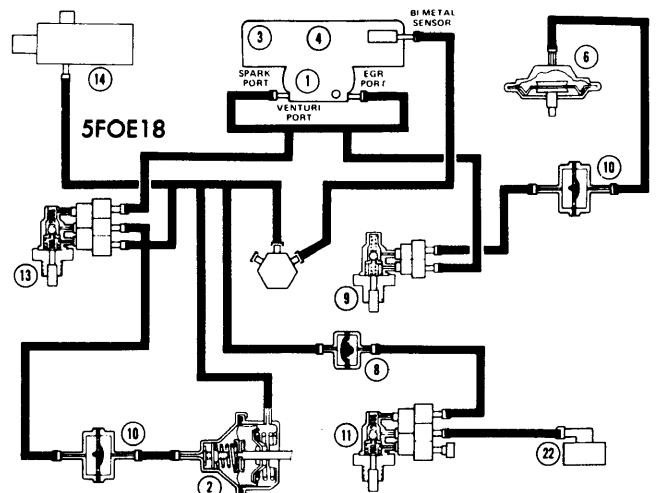
VACUUM DIAGRAM NO. 15



VACUUM DIAGRAM NO. 16



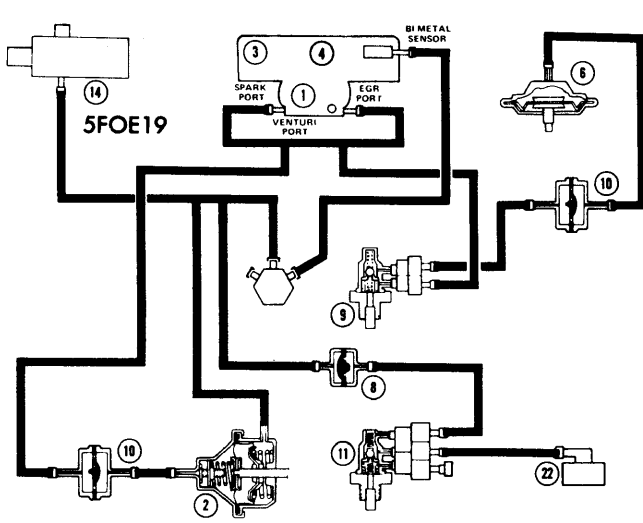
VACUUM DIAGRAM NO. 17



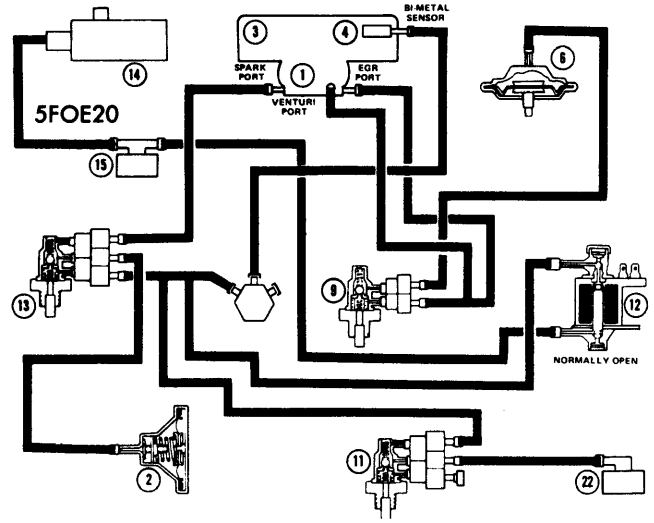
VACUUM DIAGRAM NO. 18

1975-79 EXHAUST EMISSION SYSTEMS

1975 Ford Motor Co. Vacuum Diagrams (Cont.)



VACUUM DIAGRAM NO. 19



VACUUM DIAGRAM NO. 20