

# 1975-79 EXHAUST EMISSION SYSTEMS

## 1976 Chrysler Corp. Vacuum Diagrams

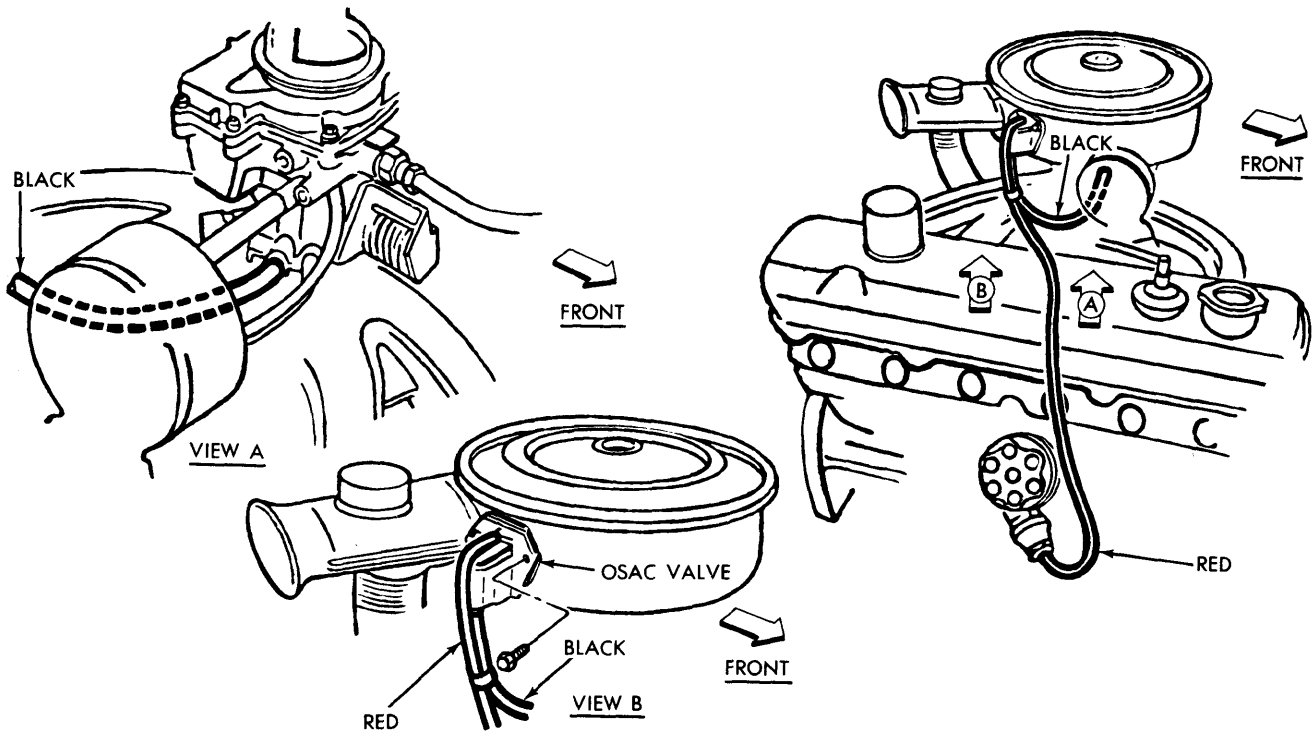


Fig. 1 OSAC Vacuum Hose System for 225" Engine (Light Duty Cycle)

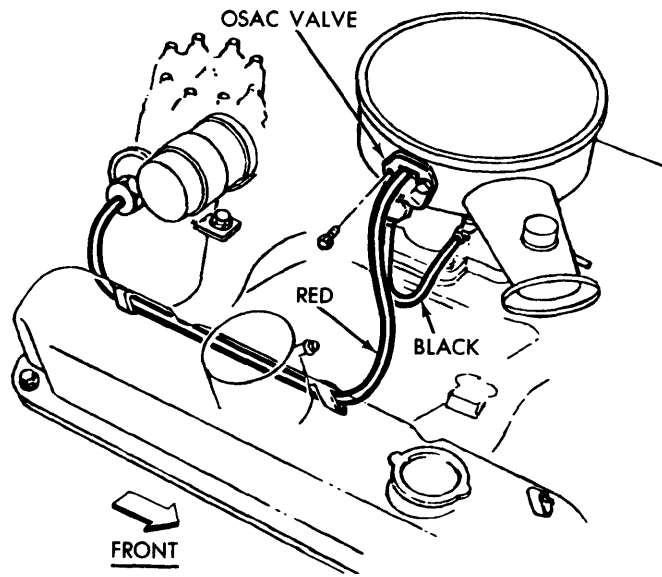


Fig. 2 OSAC Vacuum Hose System for 318" & 360" Engines (Light Duty Cycle)

# 1975-79 EXHAUST EMISSION SYSTEMS

## 1976 Chrysler Corp. Vacuum Diagrams (Cont.)

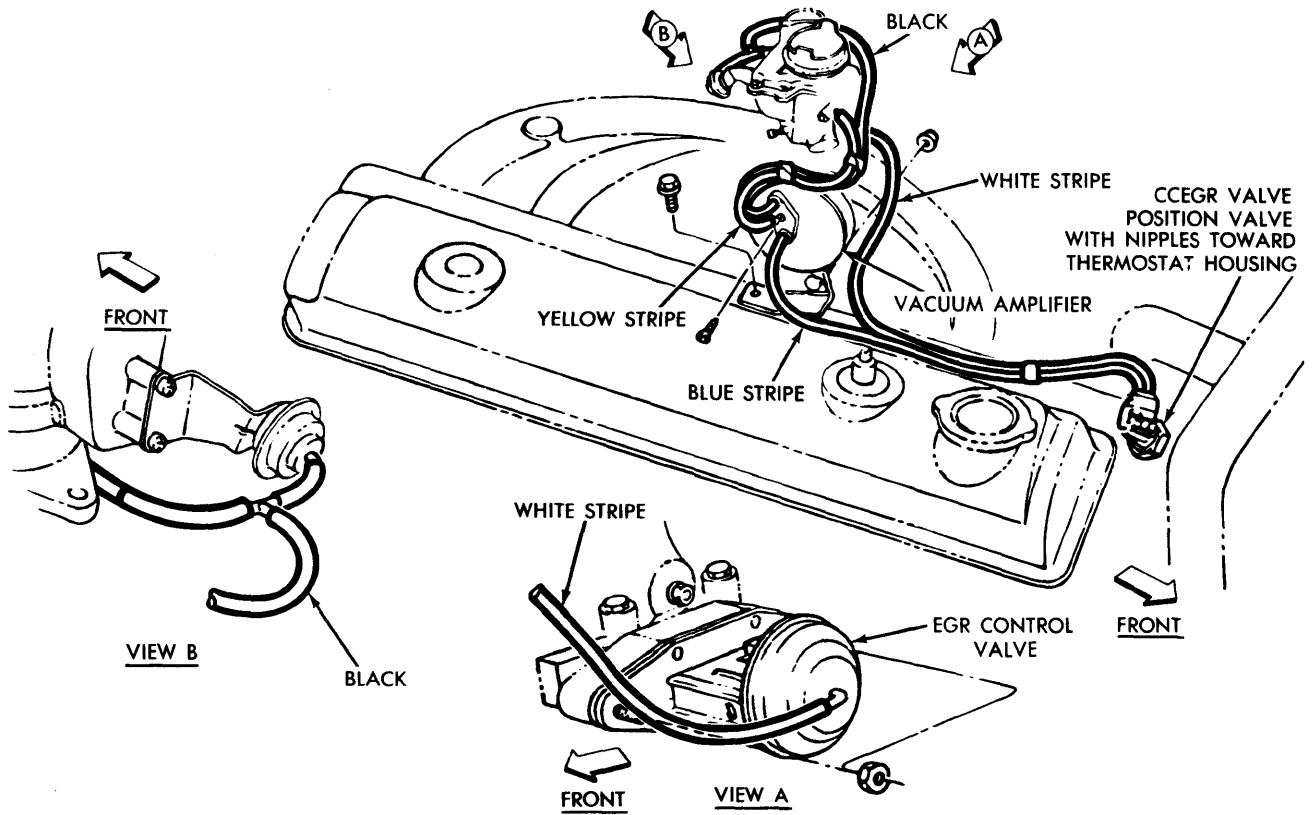


Fig. 3 EGR Vacuum Hose System for 225" Engine (Light Duty Cycle)

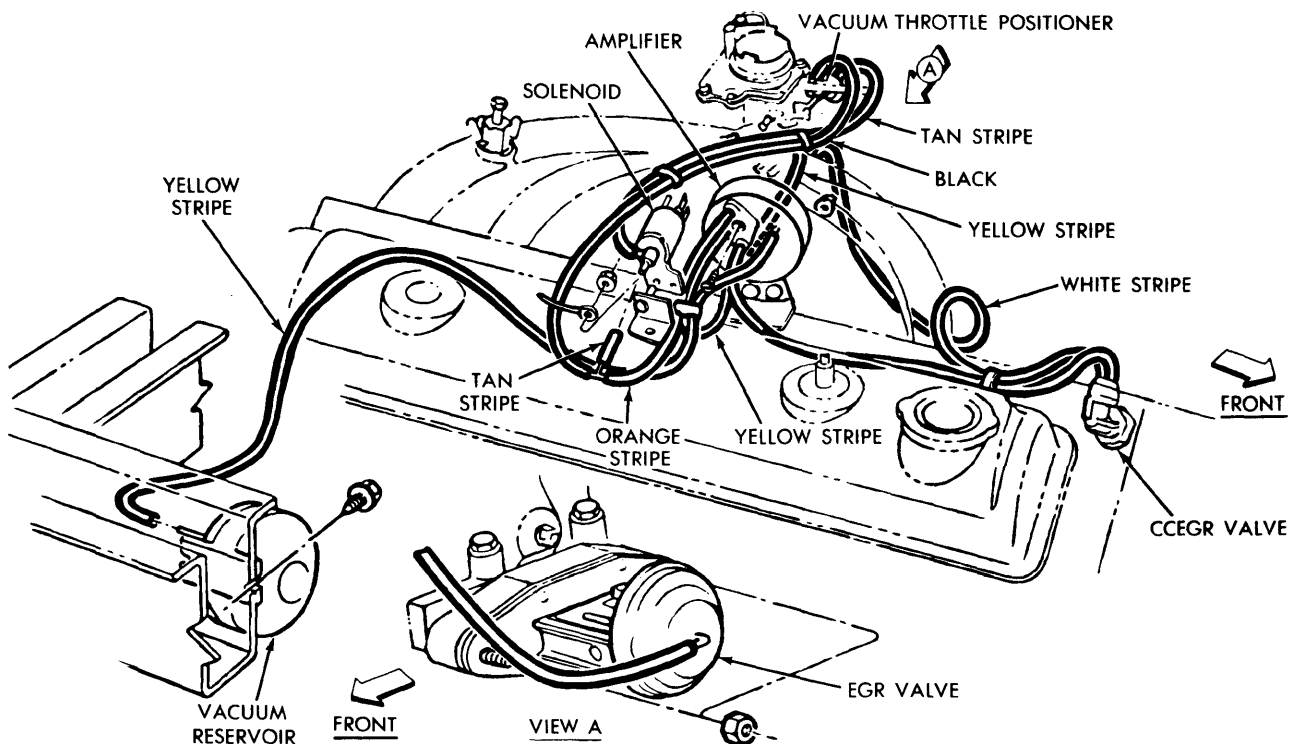


Fig. 4 EGR & Throttle Positioner Vacuum Hose System for 225" Engine (Heavy Duty Cycle California Only)

# 1975-79 EXHAUST EMISSION SYSTEMS

## 1976 Chrysler Corp. Vacuum Diagrams (Cont.)

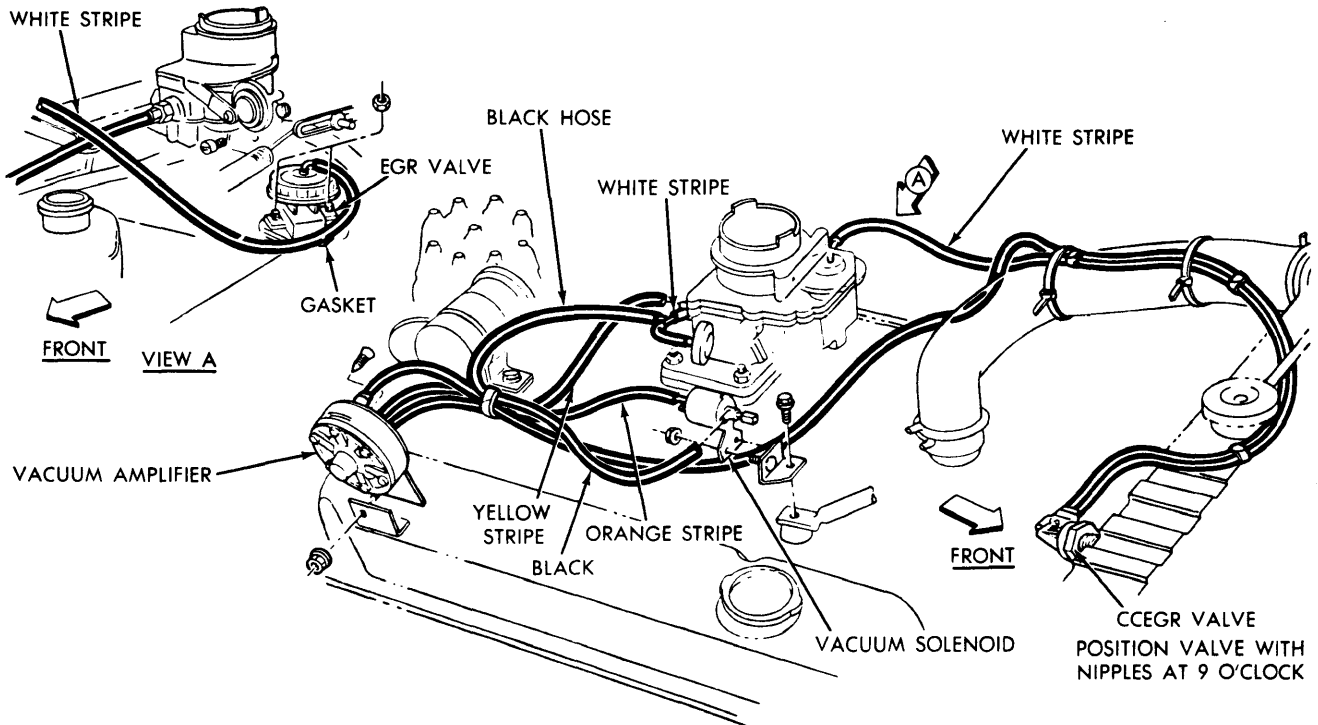


Fig. 5 EGR Vacuum Hose System for Manual Transmission 318" Engines (Light Duty Cycle)

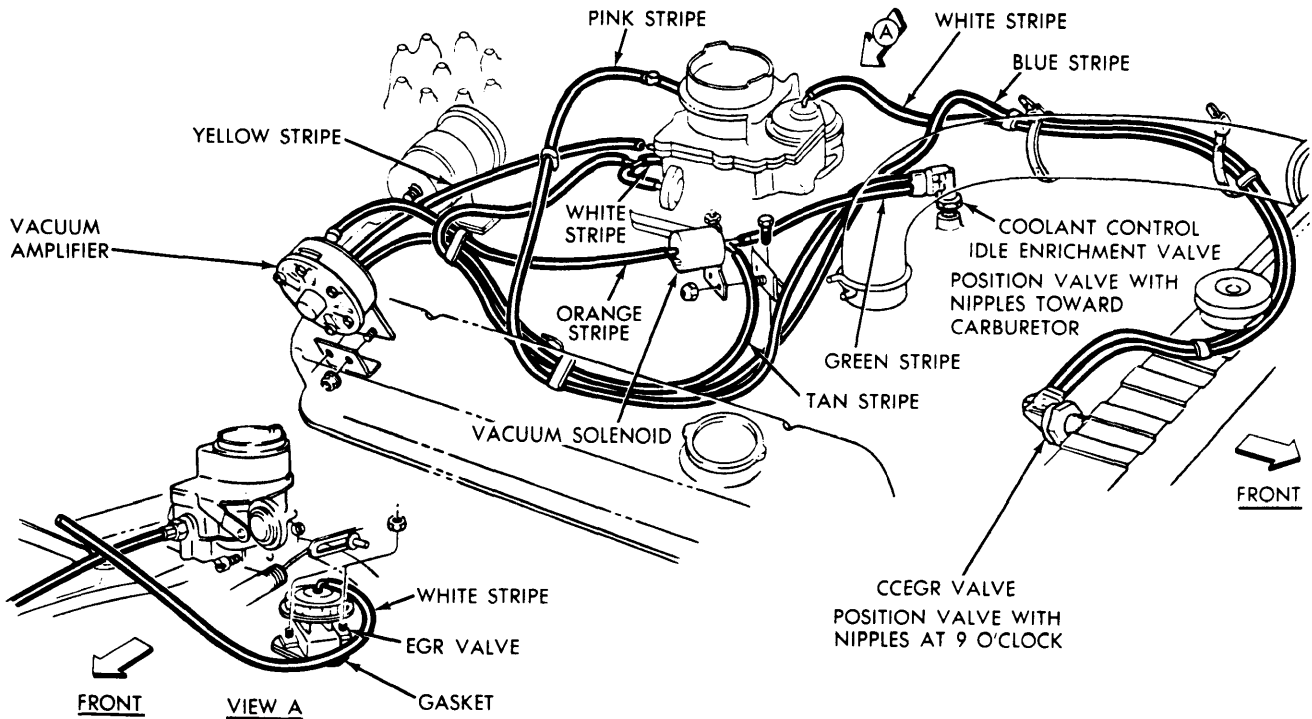


Fig. 6 EGR & Idle Enrichment Vacuum Hose System for Automatic Transmission 318" Engines (Light Duty Cycle)

# 1975-79 EXHAUST EMISSION SYSTEMS

## 1976 Chrysler Corp. Vacuum Diagrams (Cont.)

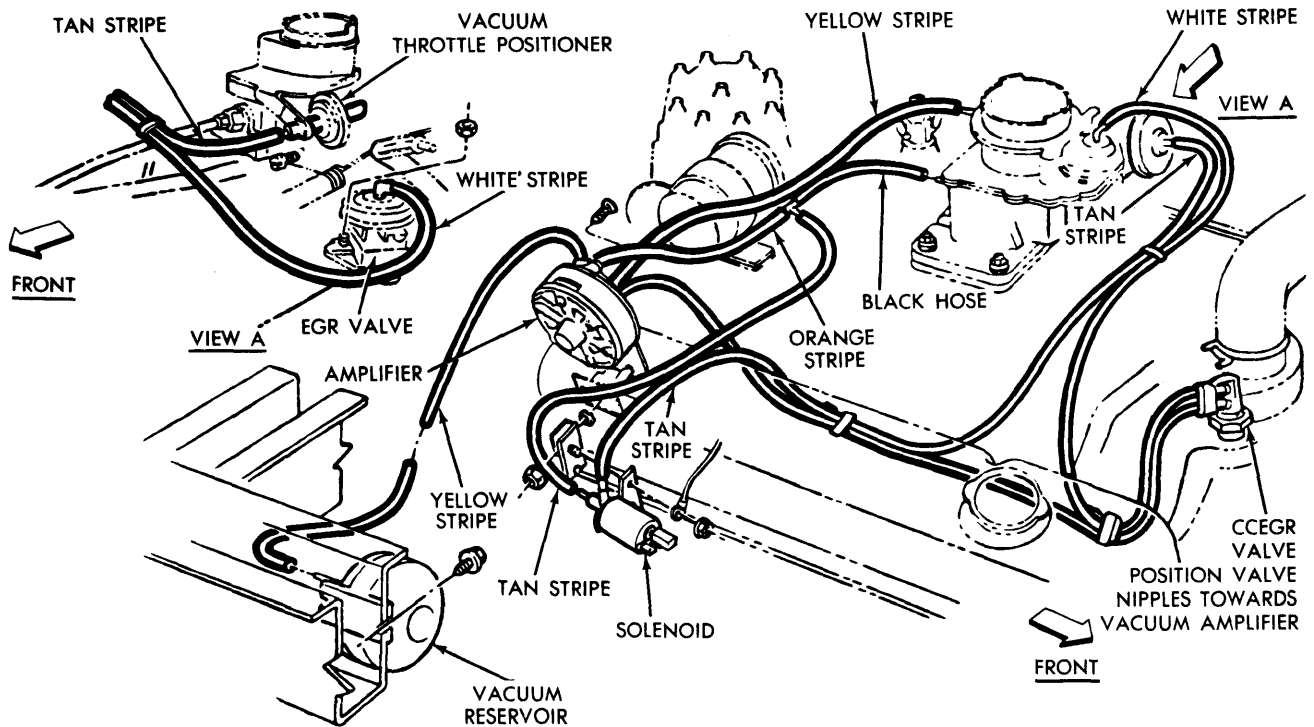


Fig. 7 EGR Vacuum Hose System for 318" & 360" Engines (Heavy Duty Cycle California Only)

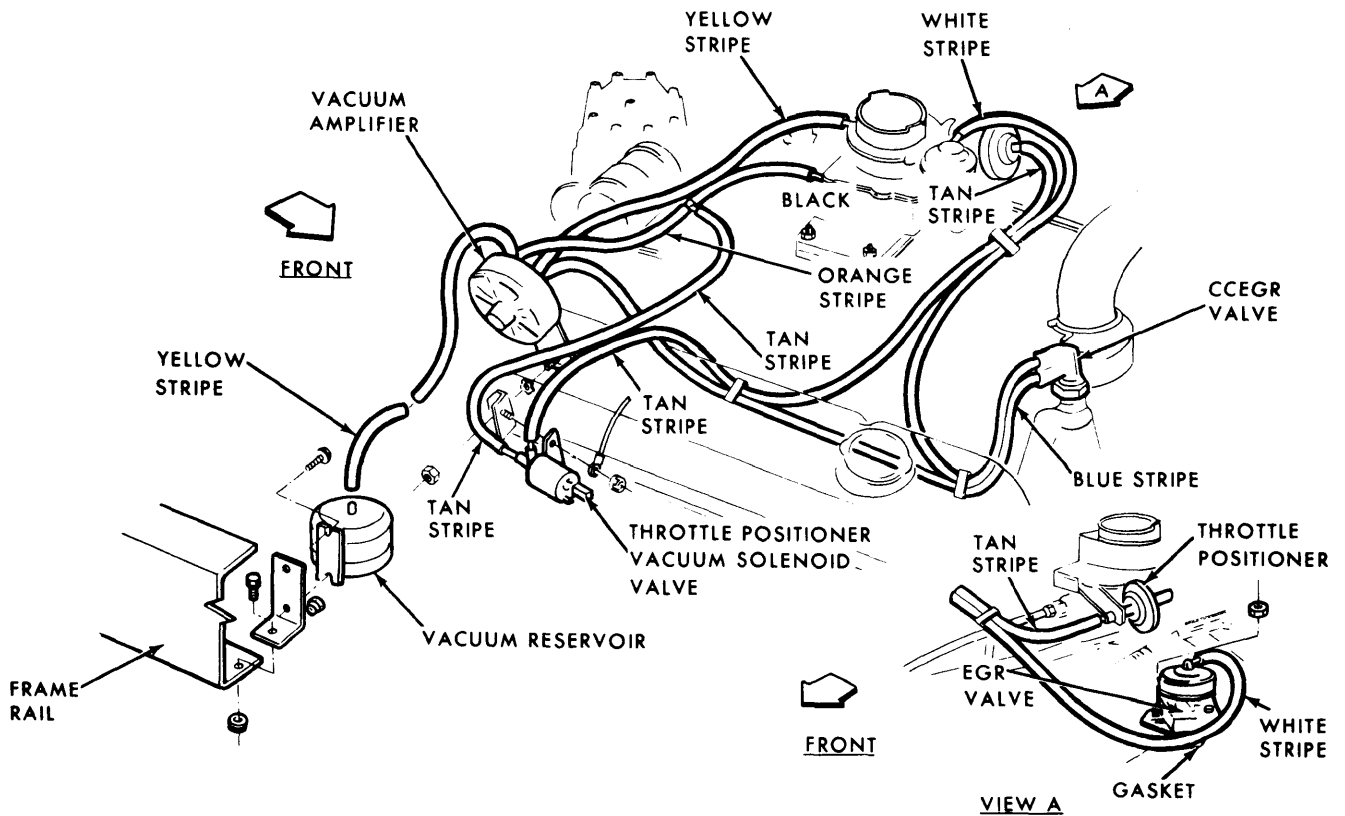


Fig. 8 EGR & Throttle Positioner Vacuum Hose System for Motor Home 360" Engine (California Only)

# 1975-79 EXHAUST EMISSION SYSTEMS 1976 Chrysler Corp. Vacuum Diagrams (Cont.)

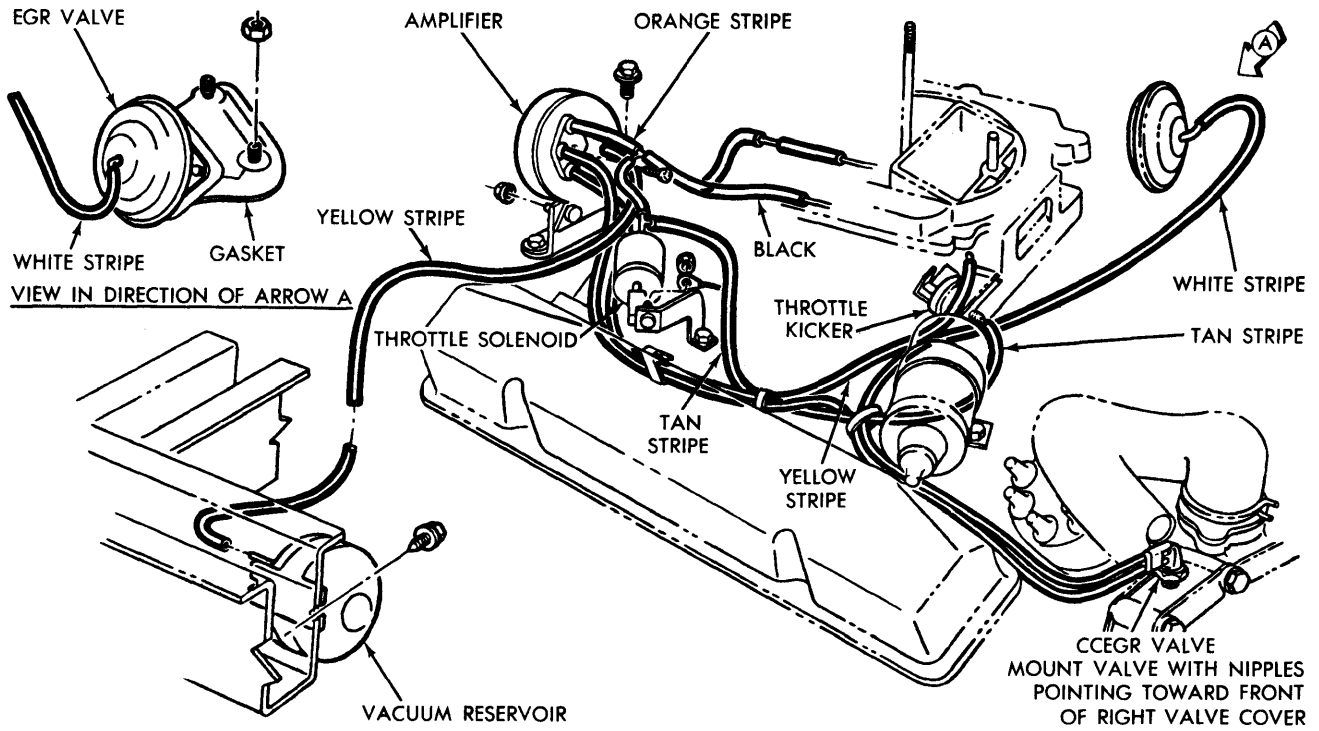


Fig. 9 EGR Vacuum Hose System for 440" Engine (Heavy Duty Cycle California Only)