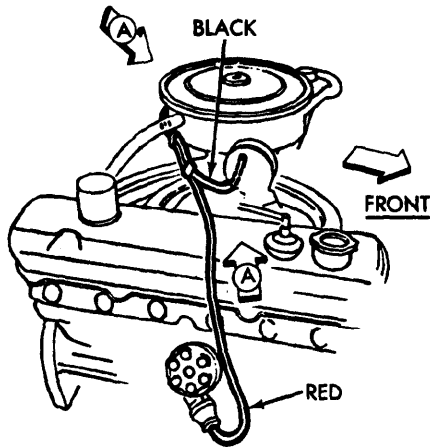
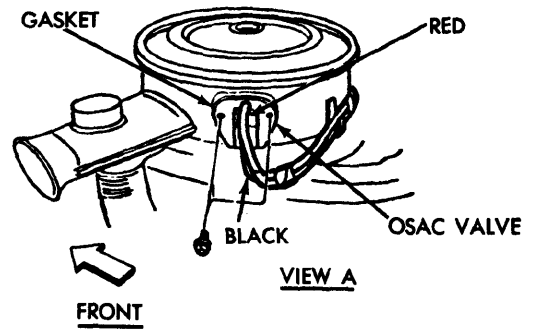
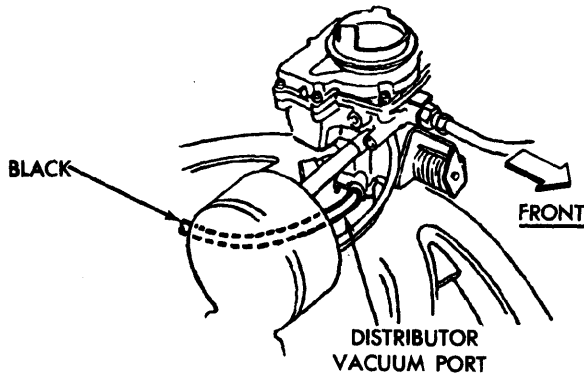
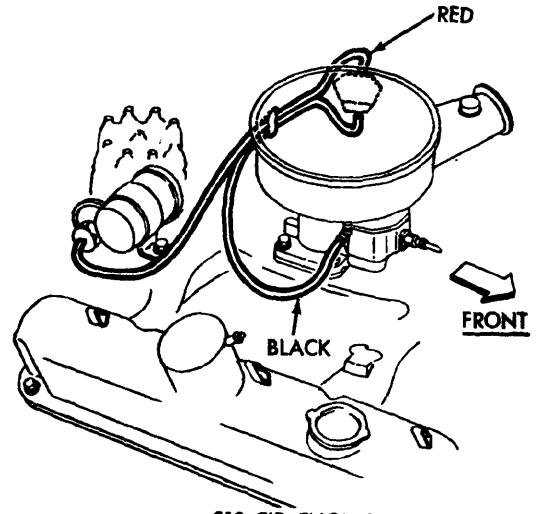


1975-79 EXHAUST EMISSION SYSTEMS 1975 Chrysler Corp. Vacuum Diagrams

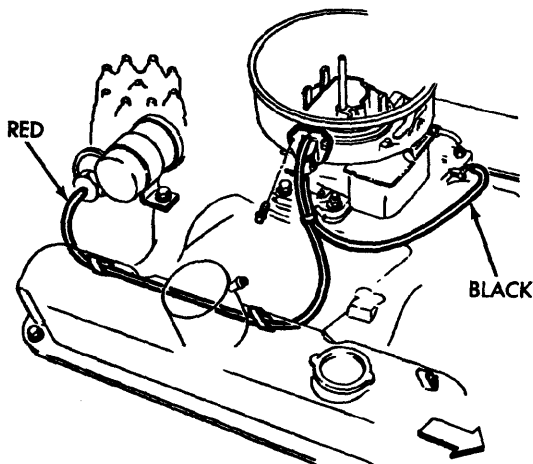


225 CID ENGINE

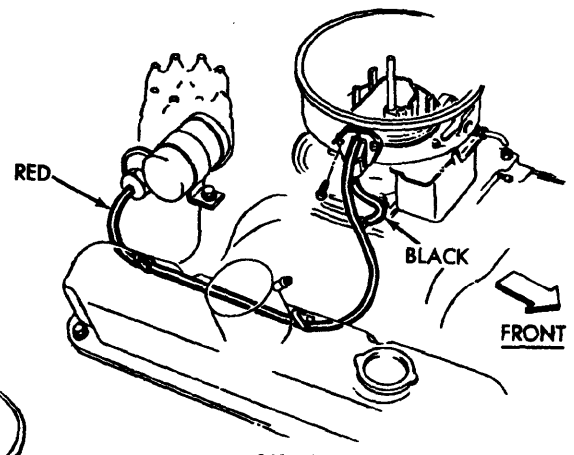
OSAC SYSTEM (ALL EXCEPT "M" MODELS)



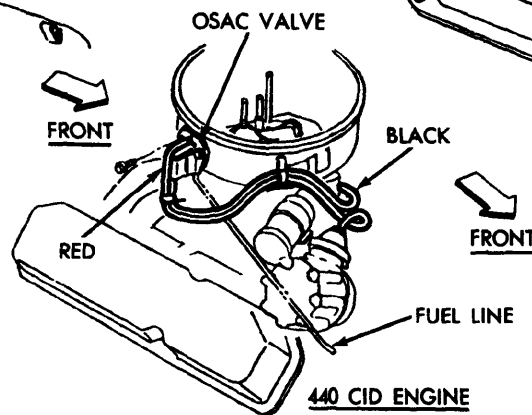
318 CID ENGINE



360 CID ENGINE
4 BBL CARBURETOR
(CALIFORNIA REQUIREMENT)



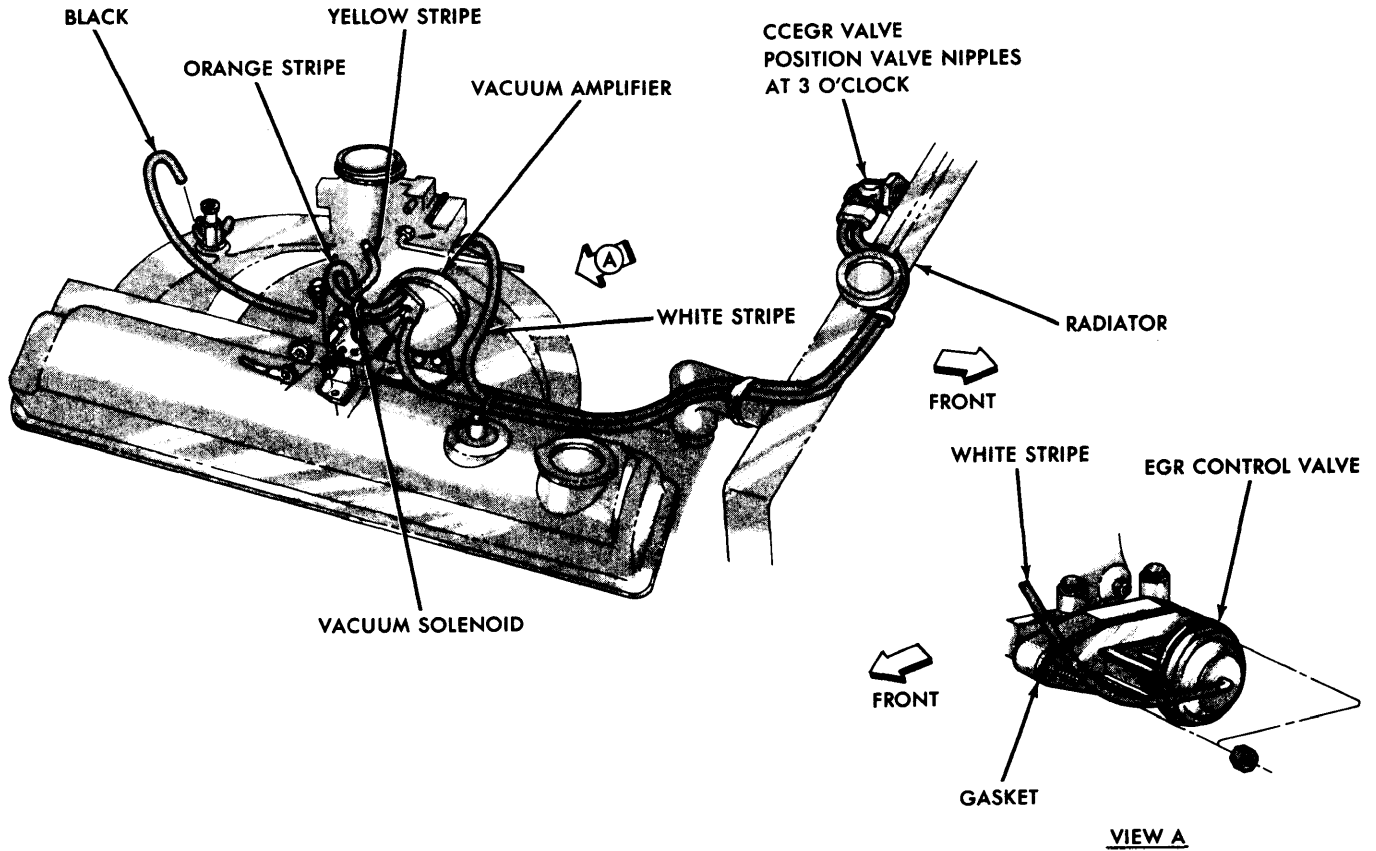
360 CID ENGINE
2 BBL CARBURETOR



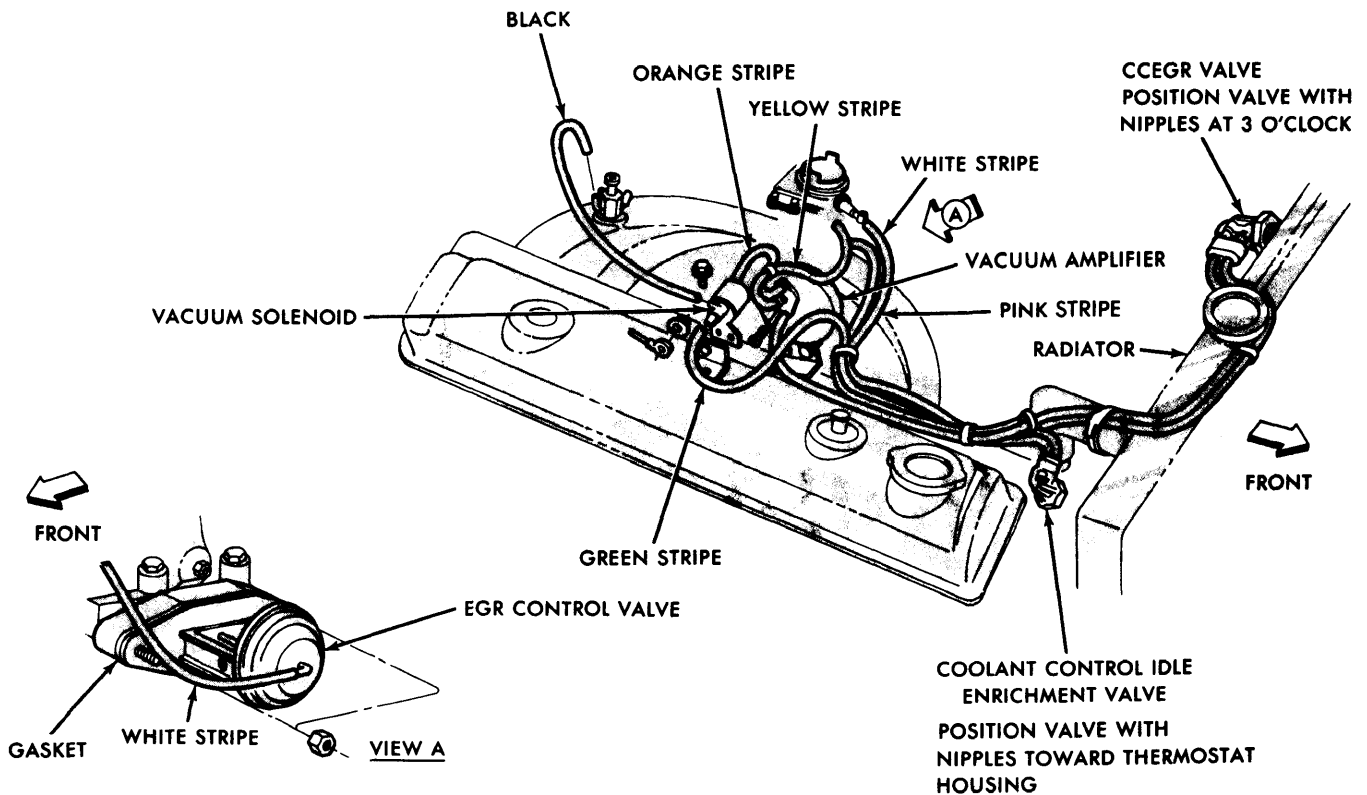
440 CID ENGINE
D100 ONLY

OSAC SYSTEM ("D" & "W" MODELS)

1975-79 EXHAUST EMISSION SYSTEMS 1975 Chrysler Corp. Vacuum Diagrams (Cont.)

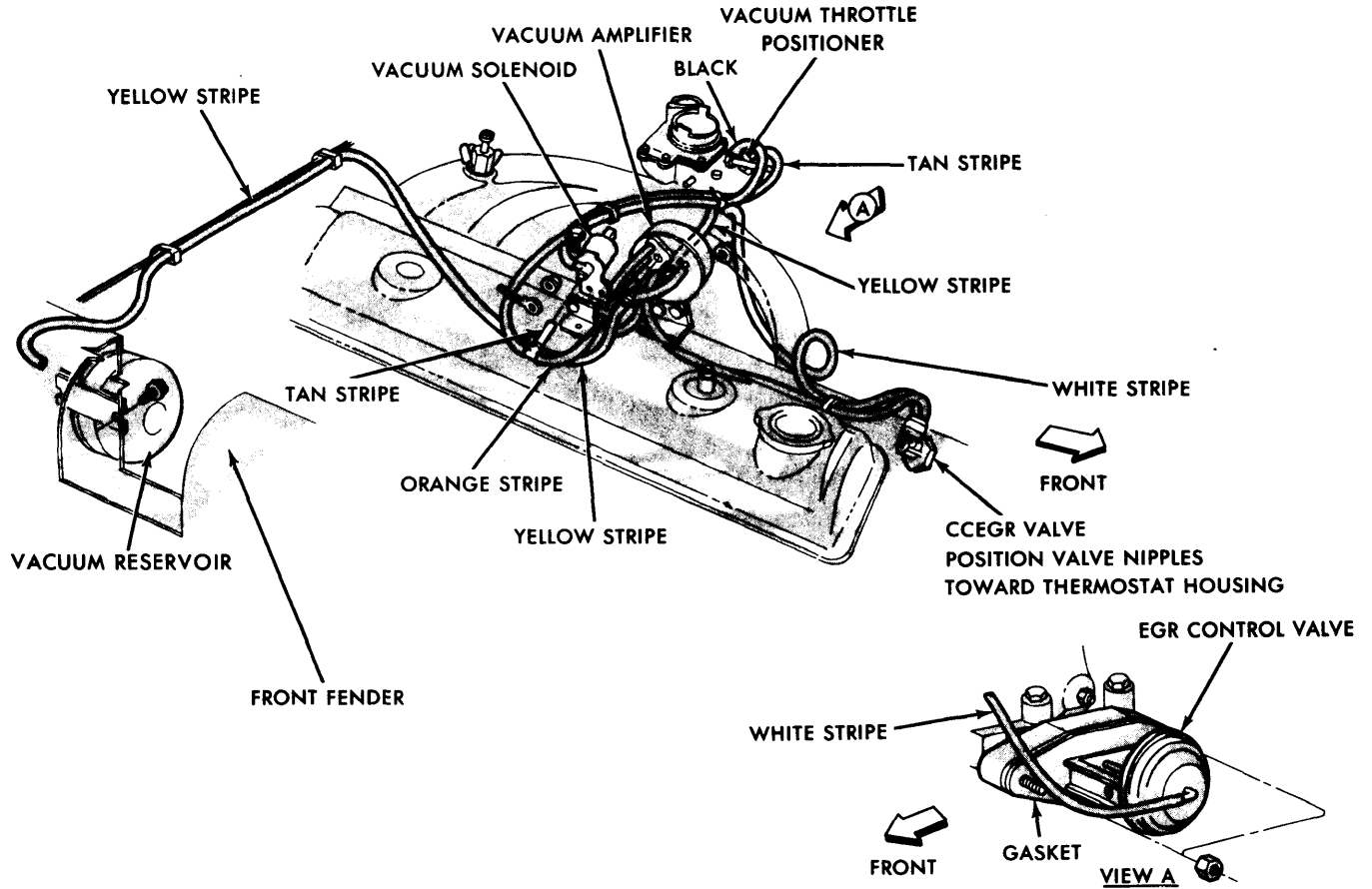


EGR SYSTEM (225" 6-CYL. LIGHT DUTY, MAN. TRANS. FEDERAL)

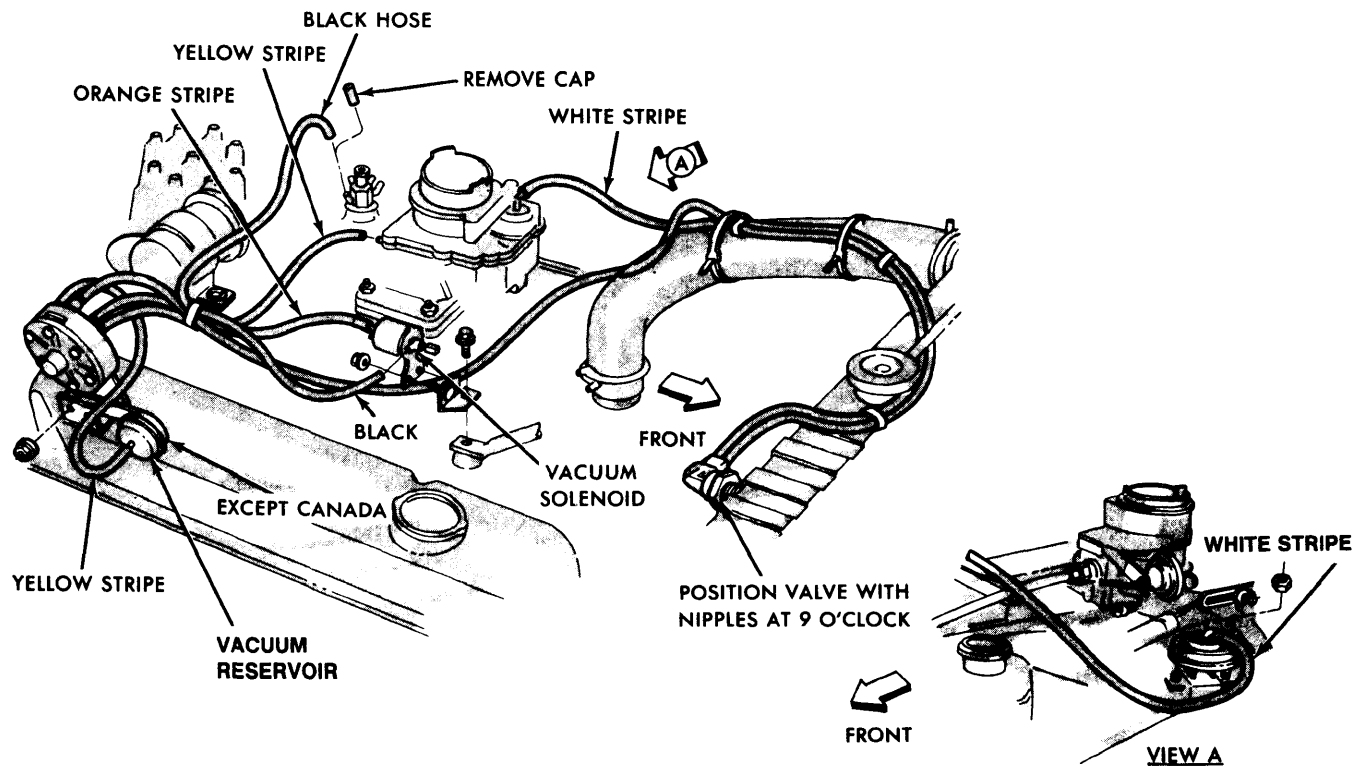


EGR & IDLE ENRICHMENT SYSTEMS (225" 6-CYL. LIGHT DUTY, AUTO. TRANS., FEDERAL)

1975-79 EXHAUST EMISSION SYSTEMS 1975 Chrysler Corp. Vacuum Diagrams (Cont.)



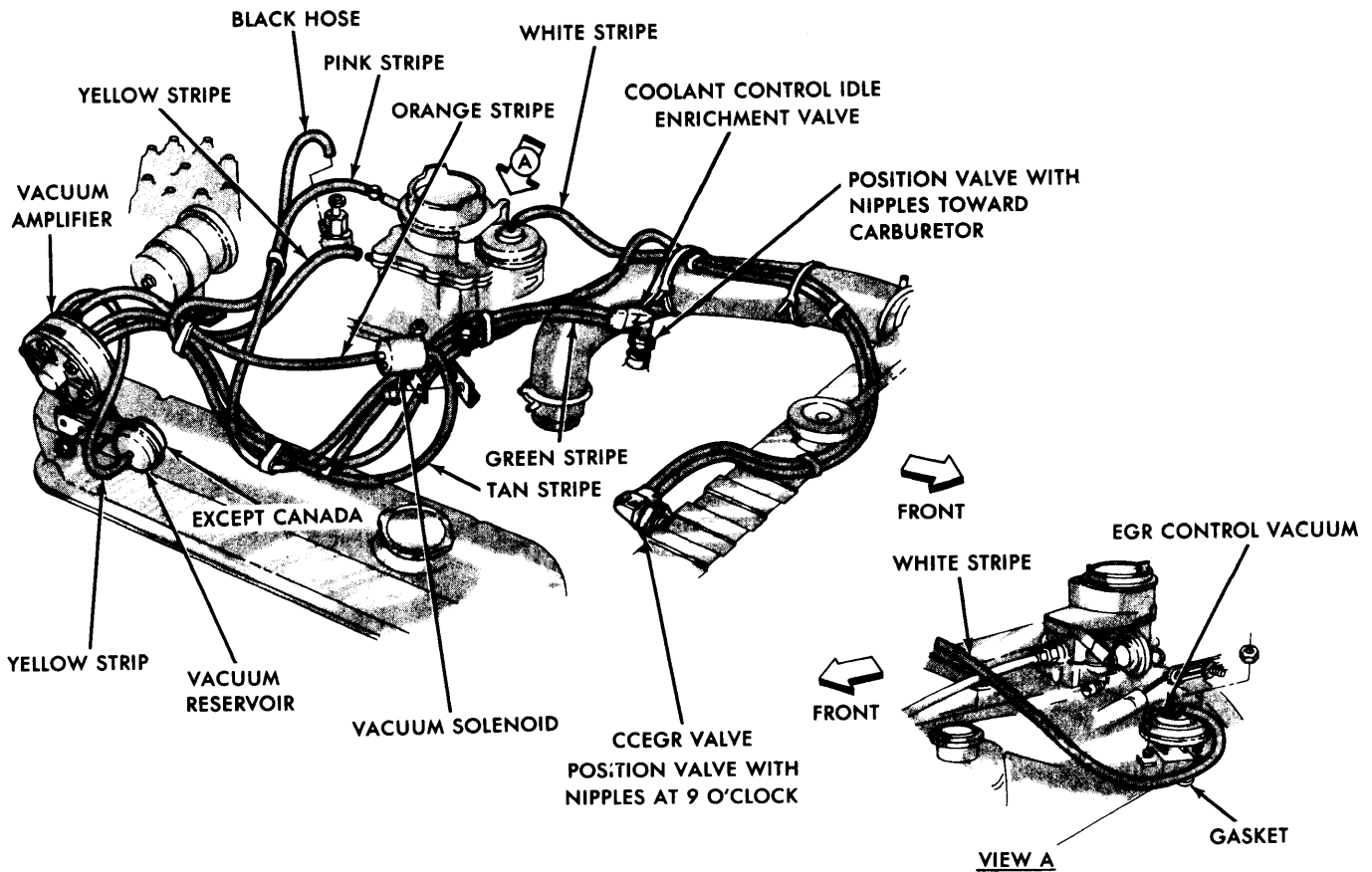
EGR & THROTTLE POSITIONER SYSTEMS (225" 6-CYL. HEAVY DUTY, CALIF.)



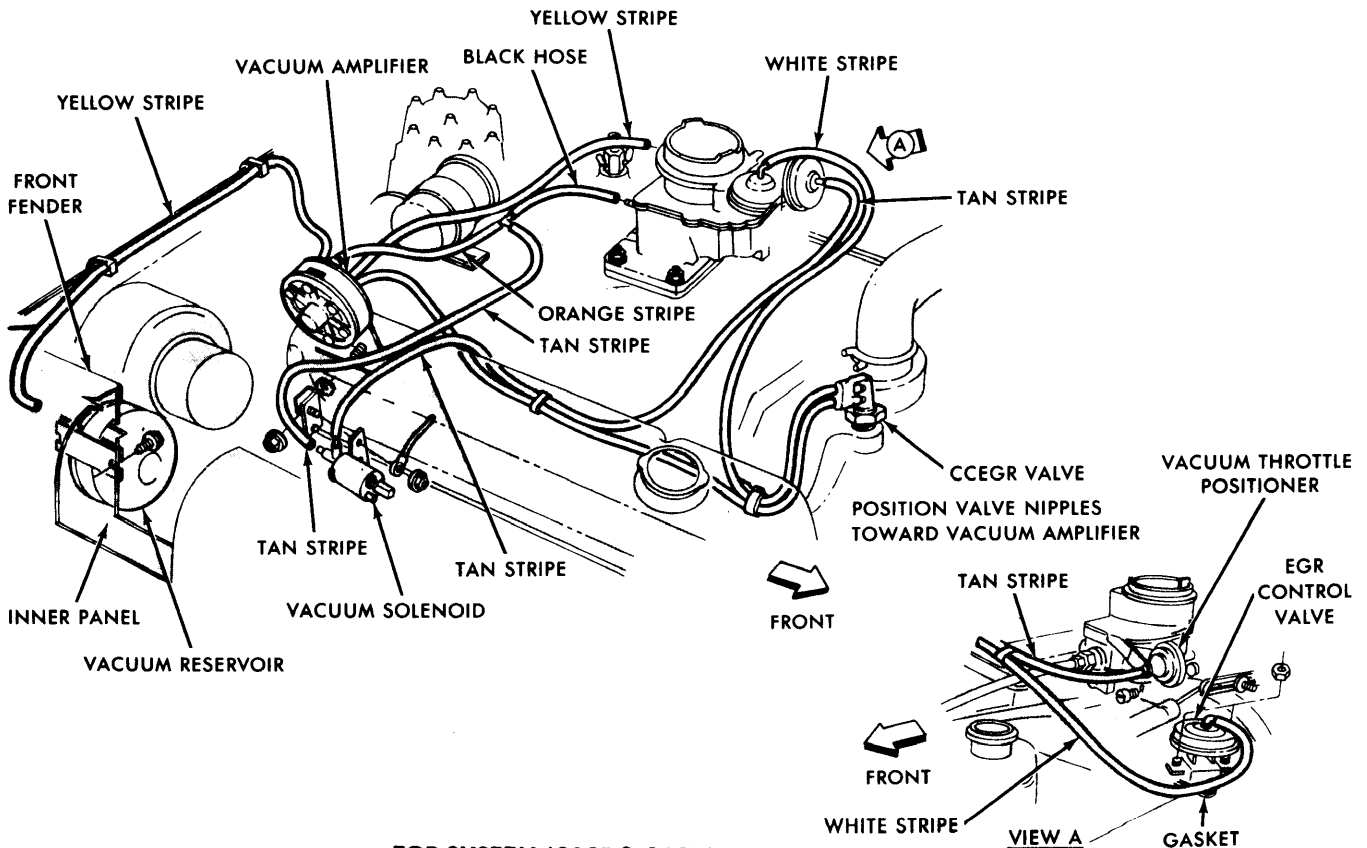
EGR SYSTEM (318" V8 LIGHT DUTY, MAN. TRANS., EXCEPT "M" MODELS)

1975-79 EXHAUST EMISSION SYSTEMS

1975 Chrysler Corp. Vacuum Diagrams (Cont.)



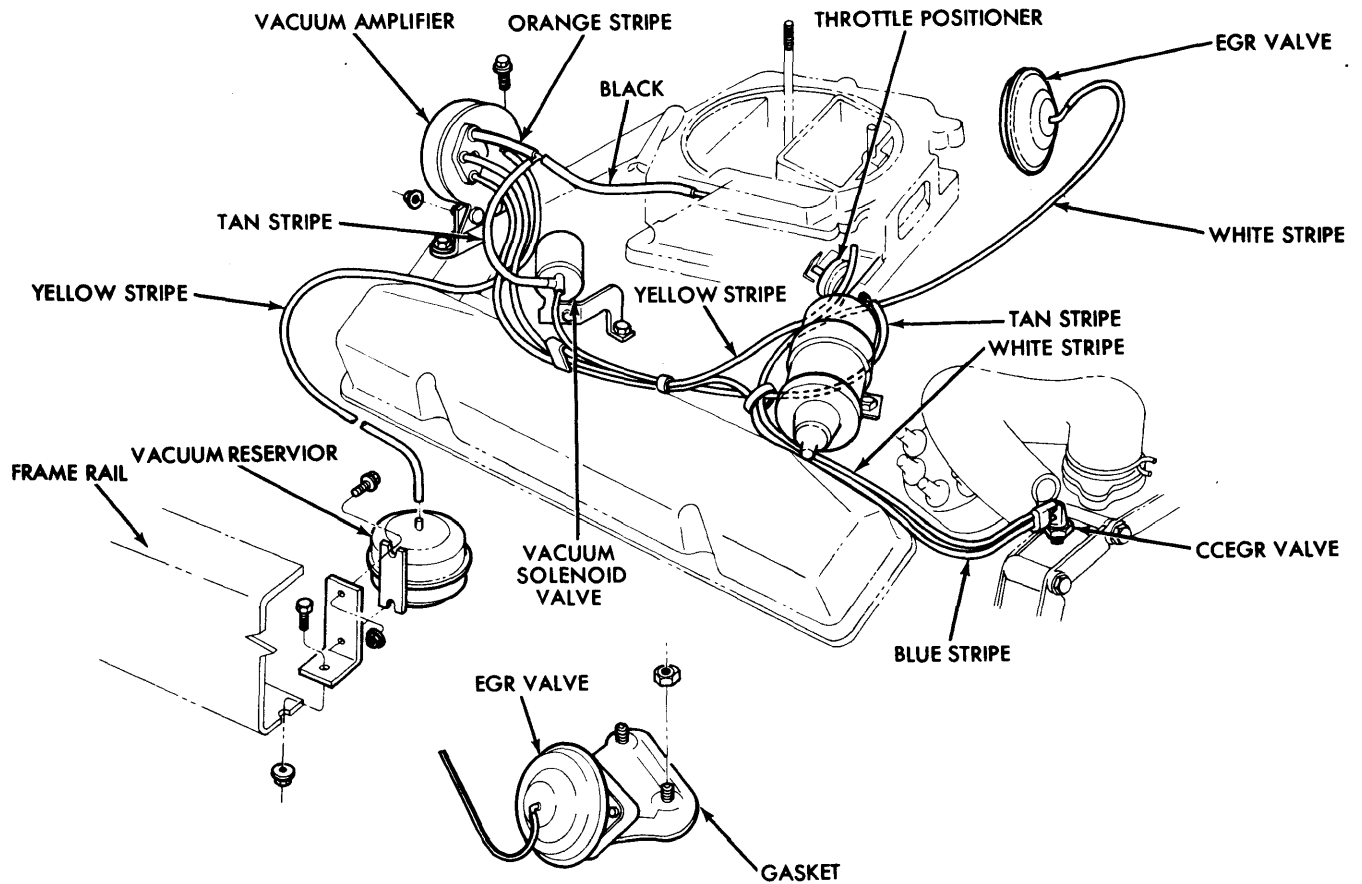
EGR & IDLE ENRICHMENT SYSTEMS (318" V8 LIGHT DUTY, AUTO. TRANS., EXCEPT "M" MODELS)



EGR SYSTEM (318" & 360" V8 HEAVY DUTY CALIF.)

1975-79 EXHAUST EMISSION SYSTEMS

1975 Chrysler Corp. Vacuum Diagrams (Cont.)



EGR & THROTTLE POSITIONER SYSTEMS (440" V8 CALIF.)