

# 1979 ENGINE IDENTIFICATION Ford Motor Co.

## ENGINE CODE EXPLANATION

Engine code is explained in accompanying illustration and "Engine Code" chart. Also note that the fifth digit of the VIN will give engine code. Engine identification tag contains information on cubic inch displacement, model year, production date, plant, change level and engine calibration data.

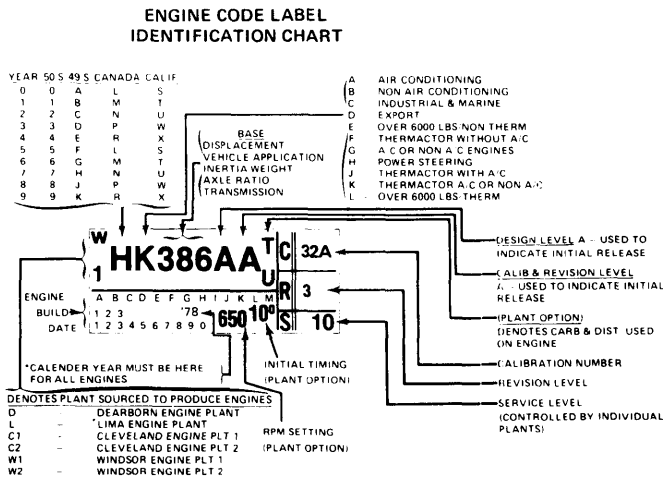


Fig. 2 Ford Motor Co. Engine Tag Explanation

## ENGINE TAG LOCATION

Engine tag is located on front, right side of engine.

## Ford Motor Co. Engine Codes

Model	VIN Code	Engine (Carburetor)
Capri, Mustang, Pinto, Bobcat, Zephyr & Fairmont	Y	140" (5200 2-Bbl.①)
Capri & Mustang Turbo	W	140" (5200 2-Bbl.①)
Capri, Mustang, Pinto, Bobcat, Zephyr & Fairmont	Z	2800 cc (2150 2-Bbl.②)
Capri & Mustang	T	200" (YFA 1-Bbl.)
Zephyr & Fairmont	T	200" (YFA 1-Bbl.③)
Monarch & Granada	L	250" (YFA 1-Bbl.)
Monarch & Granada	F	302" (2150 2-Bbl.②)
Capri, Mustang, Zephyr & Fairmont	F	302" (2150 2-Bbl.②)
Mercury, Ford & Versailles	F	302" (2700 VV)
LTD II, Thunderbird & Cougar	F	302" (2150 2-Bbl.)
LTD II, Thunderbird & Cougar	H	351" M (2150 2-Bbl.)
Thunderbird & Cougar	H	351" W (2150 2-Bbl.)
Mercury & Calif. Ford	H	351" W (7200 VV)
Federal Ford	H	351" W (2150 2-Bbl.)
Lincoln & Mark V	S	400" (2150 2-Bbl.)

- ① - California - 6500 2-Bbl. Feedback Carburetor.
- ② - California - 2700 VV Carburetor.
- ③ - Automatic transmission - 1946 1-Bbl. Carburetor.

# General Motors

## ENGINE CODE EXPLANATION

General Motors engines may be identified by the fifth digit of the Vehicle Identification Number (VIN) located on left upper side of instrument panel. Number is visible from outside windshield. An additional identification code number identifies emission control equipment for a specific engine size and application.

## ENGINE CODE LOCATION

General Motors engines are listed by manufacturer, cubic inch displacement and design. Following this information are other manufacturers (if any) using the engine and engine code location.

**Chevrolet 1600 cc 4 Cylinder** - Code on right side of cylinder block, below No. 1 spark plug.

**Pontiac 151" 4 Cylinder** - Used also by Chevrolet and Oldsmobile. Code on right side of cylinder block to rear of distributor shaft on VIN 1; on front of cylinder block, left side, for VIN V and 9.

**Buick 196" V6** - Used also by Chevrolet. Code on front of cylinder block, right side.

**Chevrolet 200" V6** - Code on front of cylinder block, right side.

**Buick 231" V6** - Also used by Chevrolet, Oldsmobile, and Pontiac. Code on front of cylinder block, right side. Code label on valve covers.

**Chevrolet 250" 6 Cylinder** - Code on right side of cylinder block, to rear of distributor shaft.

**Oldsmobile 260" V8 (Gasoline and Diesel)** - Code labels on front and rear of left valve cover.

**Chevrolet 267" V8** - Code on front of cylinder block, right side.

**Pontiac 301" V8 (VIN Y)** - Also used by Buick and Oldsmobile. Code located on front of cylinder block, right side. Code labels on valve covers.

**Pontiac 301" V8 (VIN W)** - Also used by Buick. Code located on front of cylinder block, right side.

**Chevrolet 305" (VIN G & H) and 350" (VIN L)** - Also used by Buick, Oldsmobile and Pontiac. Code located on front of cylinder block, right side.

**Cadillac 350" (VIN B)** - Code located on left side of cylinder block, near front.

**Oldsmobile 350" V8 Diesel (VIN N)** - Also used by Cadillac. Code label on left valve cover.

**Oldsmobile 350" V8 (VIN R)** - Also used by Buick and Pontiac. Code on left side of cylinder block, near front.

**Buick 350" V8 (VIN X)** - Also used by Pontiac. Code located on front of block, right side.

**Chevrolet 350" V8 (VIN 8 & 4)** - Code located on front of cylinder block, right side.

**Oldsmobile 403" V8** - Also used by Buick and Pontiac. Code located on left side of cylinder block, near front. Code labels on valve covers.

# 1979 ENGINE IDENTIFICATION General Motors (Cont.)

**Pontiac 400" V8** – Code label on left valve cover.

**Cadillac 425" V8** – Code located on rear of block, behind cylinder head of VIN T; behind intake manifold of VIN S.

**1980 Chevrolet 171" V6 (VIN 7)** – Also used by Buick, Oldsmobile and Pontiac. Code stamped on front and rear of left valve cover. VIN code on front of cylinder block, below right cylinder head.

**1980 Pontiac 151" 4 Cylinder (VIN 5)** – Also used by Buick, Chevrolet, and Oldsmobile. Code is stamped on front of cylinder block, left side, below cylinder head. VIN code on front of cylinder block, right side, below cylinder head.

### 1979 General Motors Engine Codes

Engine (VIN Code)	Engine Codes
1600 cc 4 Cyl. (VIN E)	DBA, DBB, DBC, DBD, DBF, DBH, DBJ, DBK, DBY, DBZ, DSA, DSB
1600 cc 4 Cyl. (VIN O)	DBL, DBM, DBR, DBS, DBT, DBU, DBW, DBX
151" 4 Cyl. (VIN 1)	AC, AD, AF, AH, ZK, ZJ, ZP, ZR
151" 4 Cyl. (VIN 9)	AB, AJ, ZA, ZB
151" 4 Cyl. (VIN V)	WD, WH, WJ, WM, XJ, XK, XL, XN
196" V6 (VIN C)	FA, FB, FC, FD, FE, FF, FG, FH
200" V6 (VIN M)	DHA, DHB, DHC
231" V6 (VIN A)	NA, NB, NC, NE, NF, NG, NH, NK, NJ, NL, NM, RA, RB, RC, RF, RG, RJ, RW, RX, RY, SJ, SK, SL, SM, SO, SP, SR, SS
231" V6 (VIN 2)	RM, RN
231" V6 (VIN 3)	RO, RP, RR, RS, RT, RU, RV
250" 6 Cyl. (VIN D)	DCA, DCB, DCC, DCD, DKA, DKB, DKC, DKD, DKF
260" V8 (VIN F)	UC, UD, UE, UJ, UK, UL, UN, UO, U5, VC
260" V8 Diesel (VIN P)	UP, UQ, UW, UX, V2, V7, V8, V9
267" V8 (VIN J)	DMA, DMB, DMC, DMD, DMF, DMH

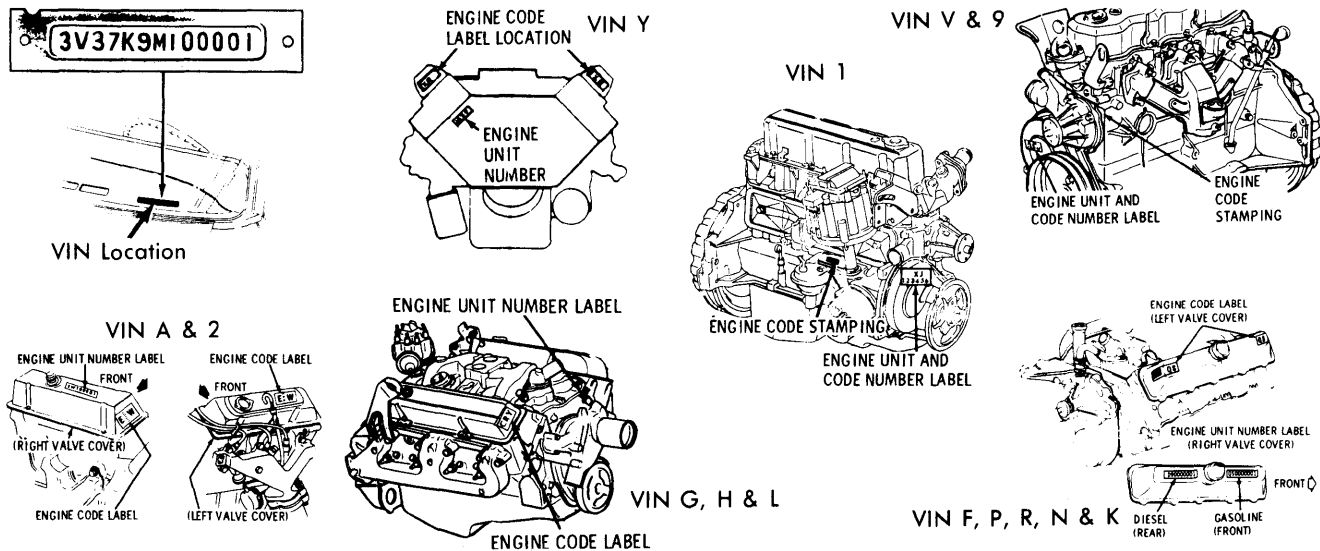
### 1979 General Motors Engine Codes (Cont.)

Engine (VIN Code)	Engine Codes
301" V8 (VIN Y)	XF, XH, XP, XR, X7, X9
301" V8 (VIN W)	PWA, PWB, PXL, PXN, PXS, XT, XU, XW, X4, X6
305" V8 (VIN G)	DNA, DNB, DNC, DND, DNF, DNH, DNJ, DNK, DNL, DNM, DNR, DNZ, DTC, DTD, DTK, DTL, DTM, DTR
305" V8 (VIN H)	DNS, DNT, DNU, DNW, DNx, DNY, DTA, DTB, DTF, DTH, DTJ, DTS, DTU, DTX
350" V8 (VIN B)	EA, EC, KA, KB
350" V8 (VIN L)	DRA, DRB, DRC, DRD, DRF, DRH, DRJ, DRK, DRL, DRW, DRX, DRY, DRZ, DUB, DUC, DUD, DUH, DUJ
350" V8 Diesel (VIN N)	C2, C3, C4, C5, C6, E2, E3, E4, E5, E6, K2, K3, K4, K5, K6, QP, QQ, QS, QT, QU, QW, QX, QY, T2, T3, T6, UB, U3, VG, VN, VO, VP, VQ, V4, V6
350" V8 (VIN R)	QN, QO, TW, TX, TY, UA, US, UT, UU, UV, UZ, U9, VA, VE, VK
350" V8 (VIN X)	SA, SB
350" V8 (VIN 4)	ZBA, ZBB
350" V8 (VIN 8)	ZAA, ZAB, ZAC, ZAD
350" V8 (VIN Z)	WH
350" V8 (VIN K)	GB, B3, QB, QE, QJ, QK, QL, Q3, Q6, TB, TD,
425" V8 (VIN S)	AT, AX, AD, BA
425" V8 (VIN T)	AH, AJ, AY, AZ, AB

### 1980 General Motors Engine Codes<sup>Ⓛ</sup>

Engine (VIN Code)	Engine Codes
151" 4 Cyl. (VIN 5)	AU, A3, WA, WB, XA, XB, Z4, Z6, Z9
171" V6 (VIN 7)	CNF, CNH, CNJ, CNK, CNL, CNM, NCR, CNS, DCZ, DDB

Ⓛ – Buick Skylark, Chevrolet Citation, Oldsmobile Omega and Pontiac Phoenix.



**Fig. 3 Typical General Motors Engine Code Locations**